



US00D737602S

(12) **United States Design Patent**
Riley

(10) **Patent No.:** **US D737,602 S**
(45) **Date of Patent:** **** Sep. 1, 2015**

- (54) **MODULAR DESK**
- (71) Applicant: **Nati Brook Ventures, LLC**, Beltsville, MD (US)
- (72) Inventor: **Darren Patrick Riley**, Beltsville, MD (US)
- (73) Assignee: **NATI BROOK VENTURES, LLC**, Beltsville, MD (US)
- (**) Term: **14 Years**
- (21) Appl. No.: **29/465,479**
- (22) Filed: **Aug. 28, 2013**
- (51) **LOC (10) Cl.** **06-03**
- (52) **U.S. Cl.**
USPC **D6/655.21; D6/655.23**
- (58) **Field of Classification Search**
USPC D6/641, 642, 643, 656, 656.1, 656.13, D6/656.14, 656.15, 656.16, 656.17, 708, D6/709, 709.2, 656.19, 655, 655.21; D14/305; 108/50.01, 50.02; 248/188, 248/188.1, 188.8; 312/194-196, 223.3
See application file for complete search history.

6,553,919	B1	*	4/2003	Nevin	108/50.01
D474,356	S	*	5/2003	Bosman et al.	D6/487
D496,184	S	*	9/2004	Sapp	D6/422
D507,710	S	*	7/2005	Fletcher et al.	D6/487
D521,770	S	*	5/2006	Madison	D6/425
D532,990	S	*	12/2006	Sapp	D6/425
D599,585	S	*	9/2009	Kumazawa	D6/655.21
8,596,204	B2	*	12/2013	Costamagna	108/6
2006/0174807	A1	*	8/2006	Dral et al.	108/50.01

* cited by examiner

Primary Examiner — Janice Seeger

(74) *Attorney, Agent, or Firm* — Moazzam & Associates, LLC

(57) **CLAIM**

The ornamental design for a modular desk, as shown and described.

DESCRIPTION

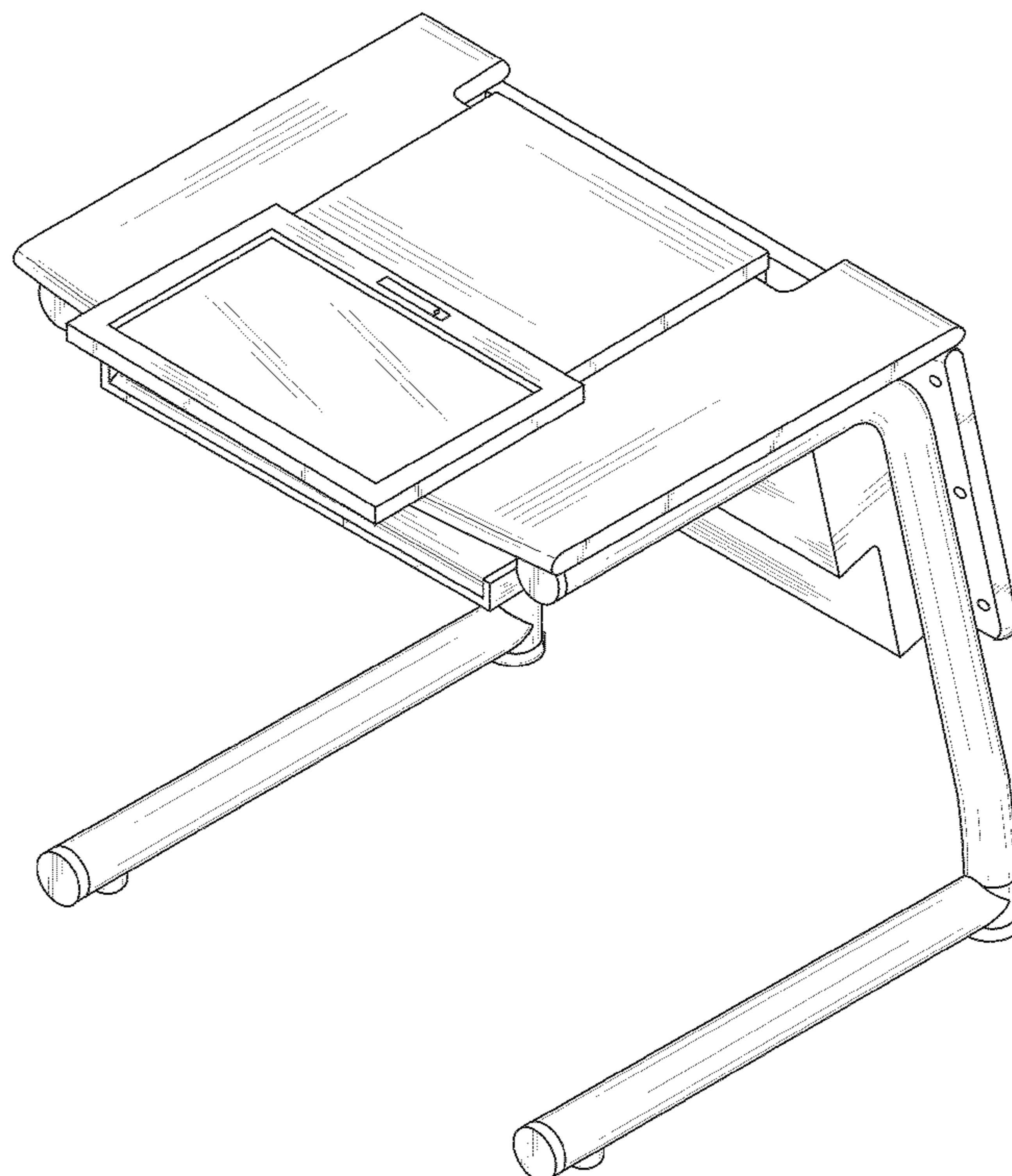
FIG. 1 is a front perspective view of a modular desk showing my new design;
 FIG. 2 is a back perspective view thereof;
 FIG. 3 is a front elevational view thereof; and
 FIG. 4 is a back elevational view thereof; and
 FIG. 5 is a right side elevational view thereof;
 FIG. 6 is a left side elevational view thereof;
 FIG. 7 is a top plan view thereof; and,
 FIG. 8 is a bottom plan view thereof.
 The broken lines are for environmental purposes only and form no part of the claimed design.

1 Claim, 8 Drawing Sheets

(56) **References Cited**

U.S. PATENT DOCUMENTS

D208,709	S	*	9/1967	Baracki	D6/397
D215,308	S	*	9/1969	Barnes	D6/425
D360,324	S	*	7/1995	Vogt	D6/484
D376,931	S	*	12/1996	Fewchuk	D6/655.21



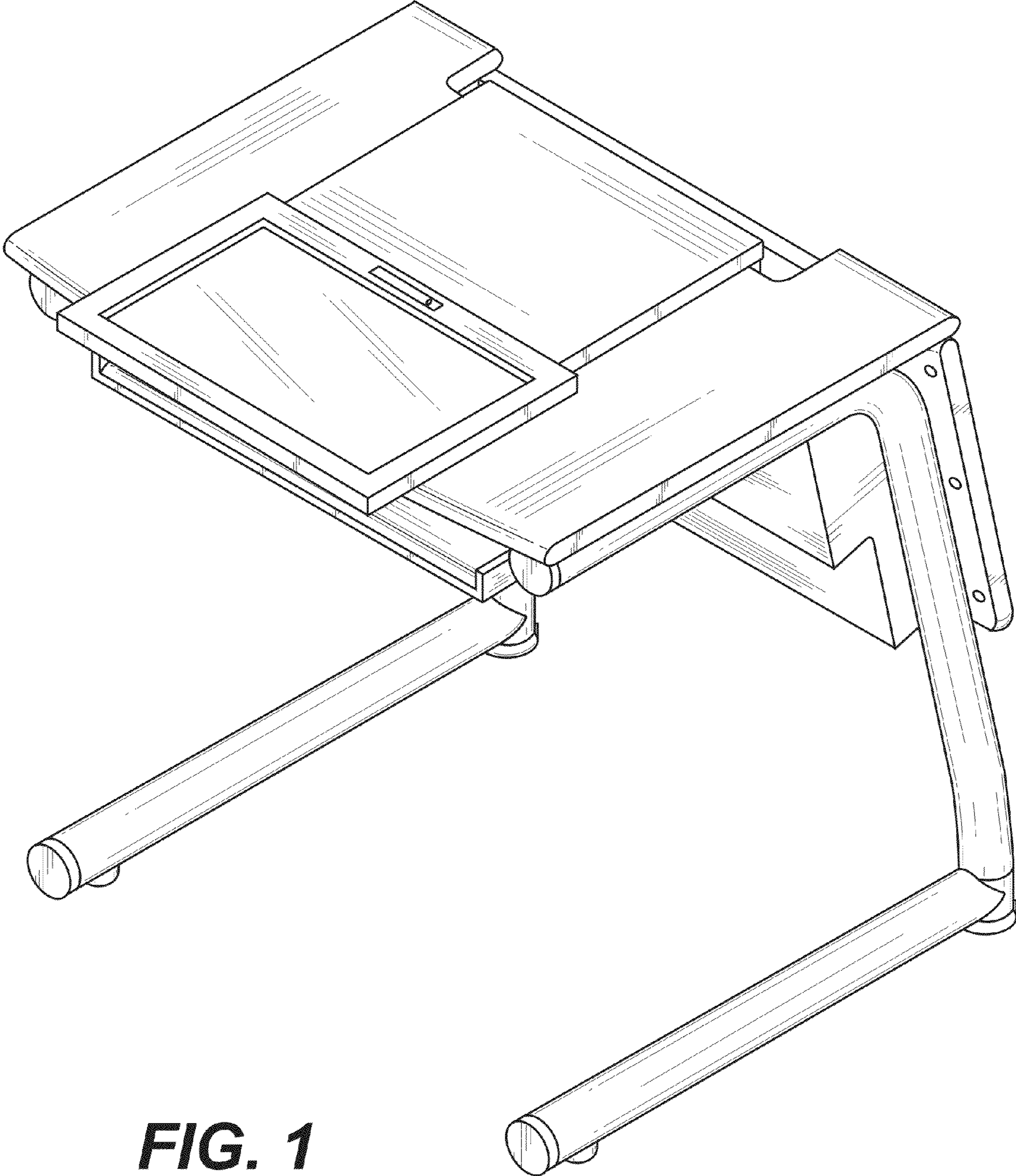


FIG. 1

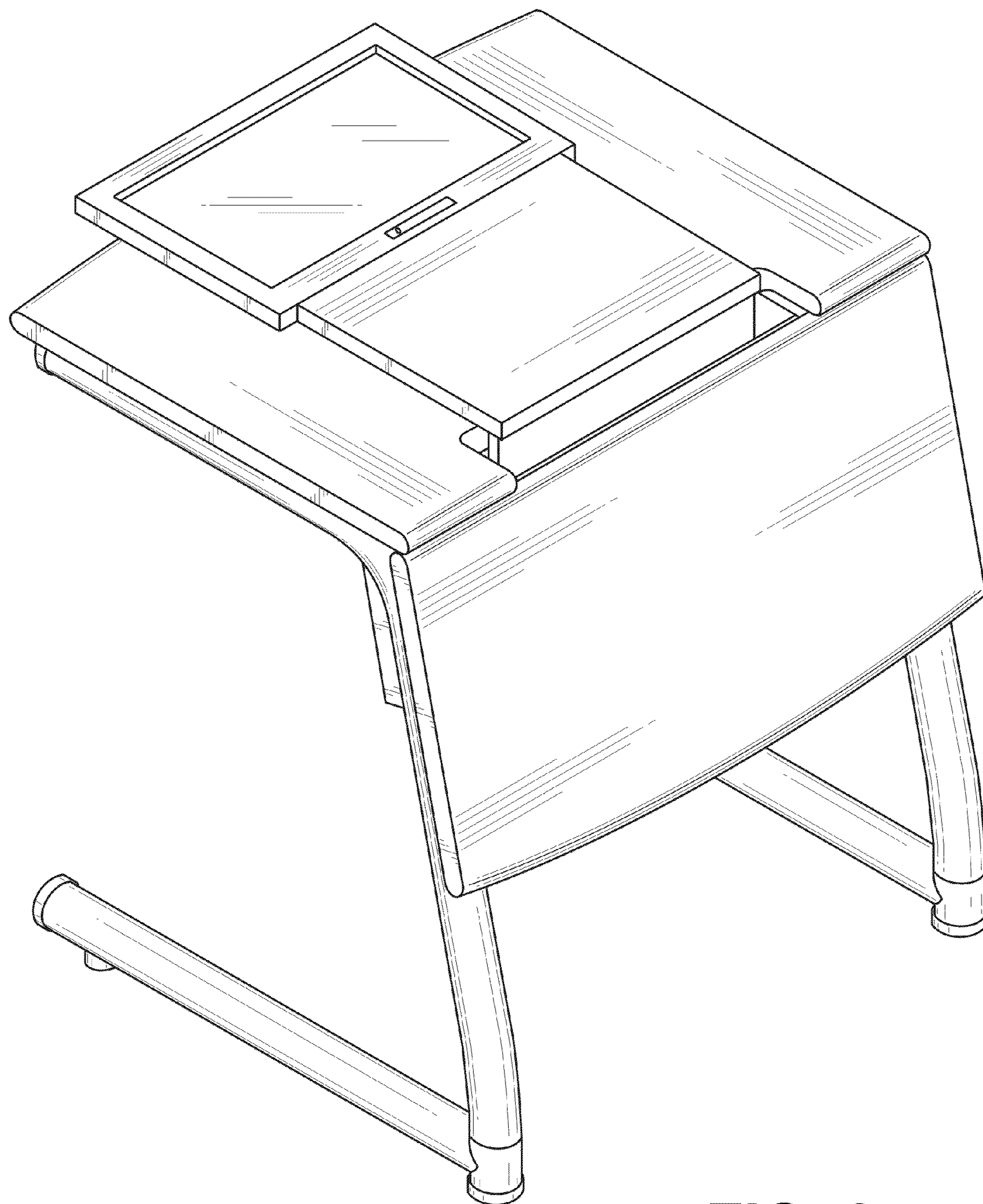


FIG. 2

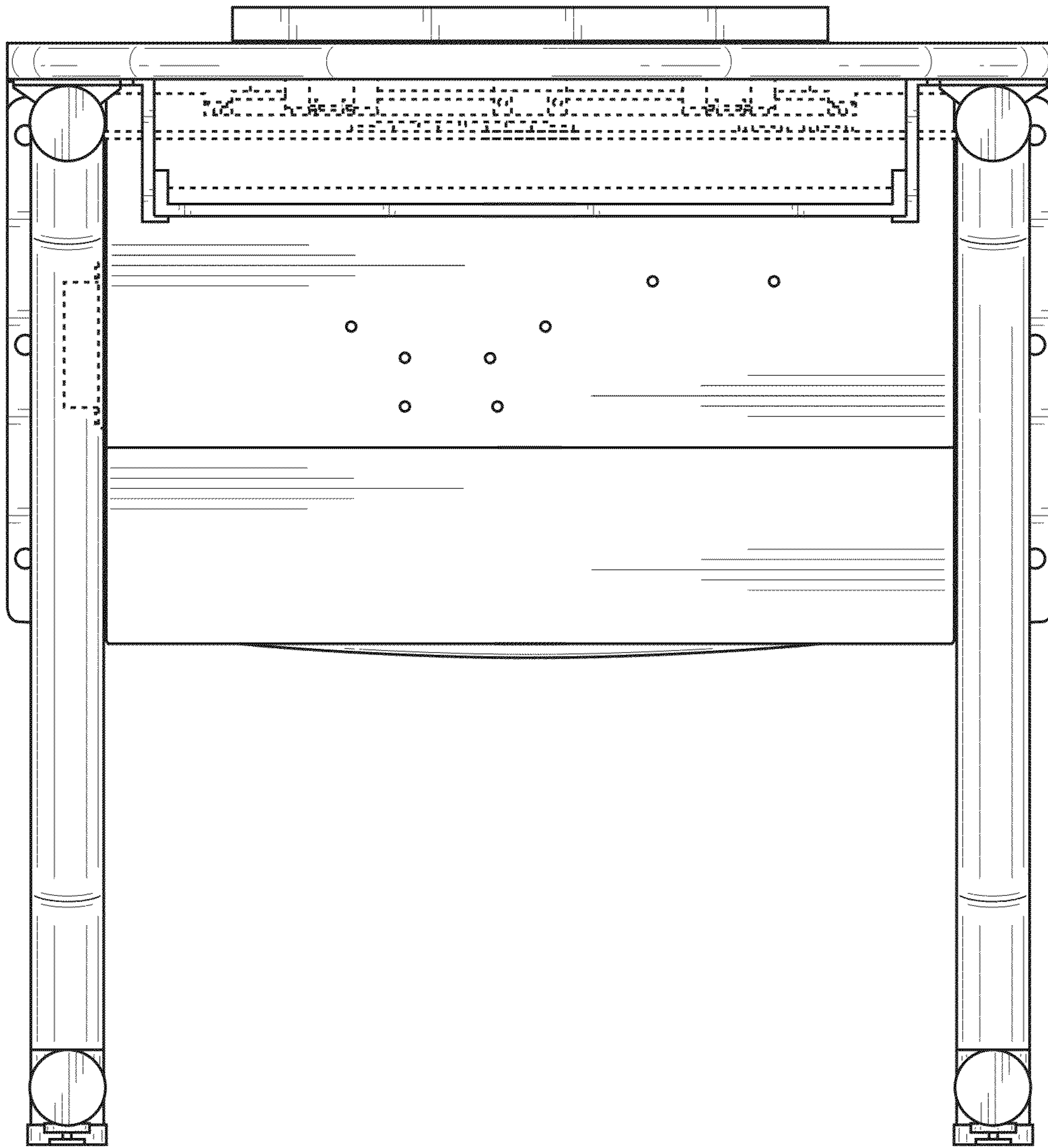


FIG. 3

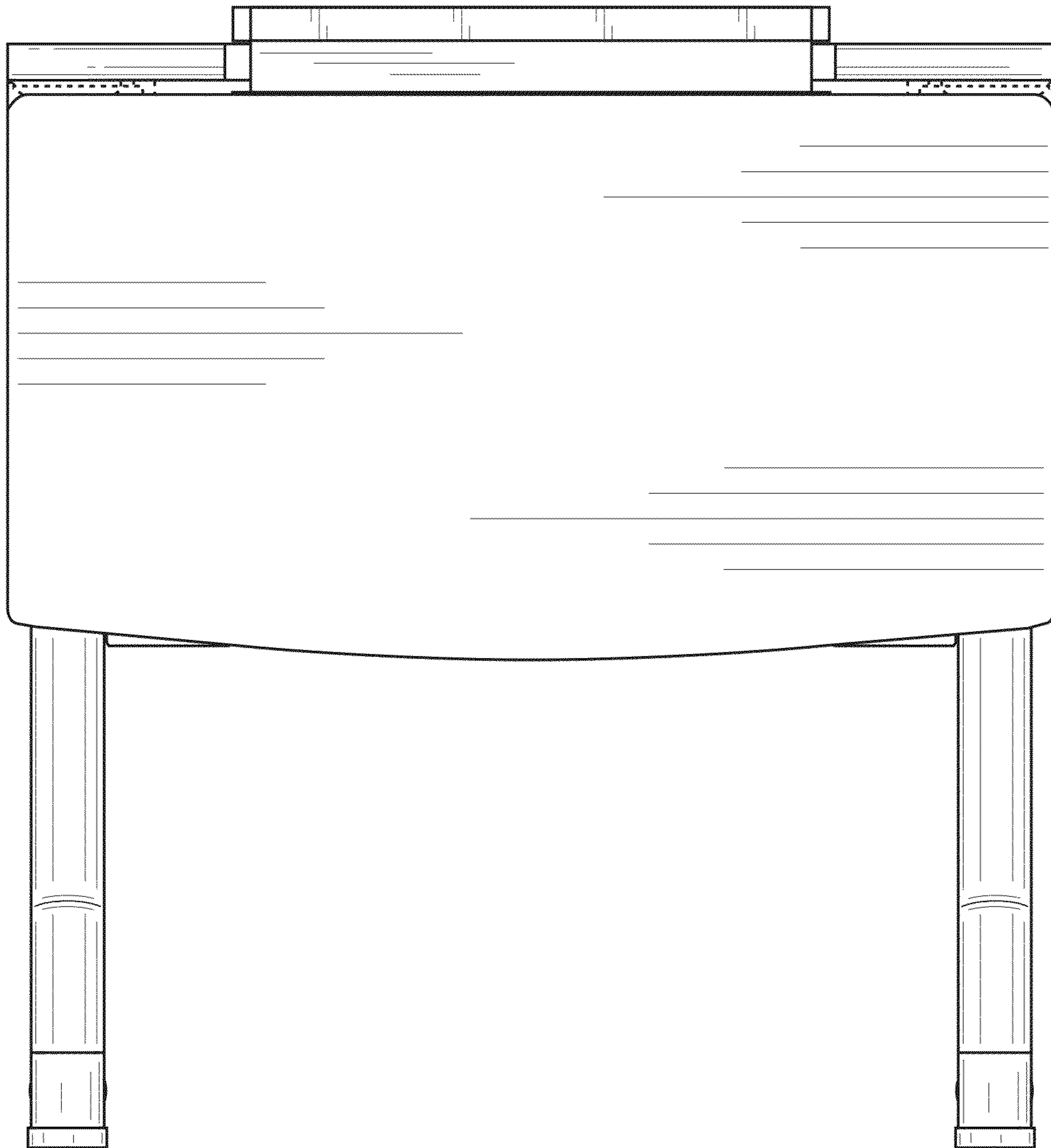


FIG. 4

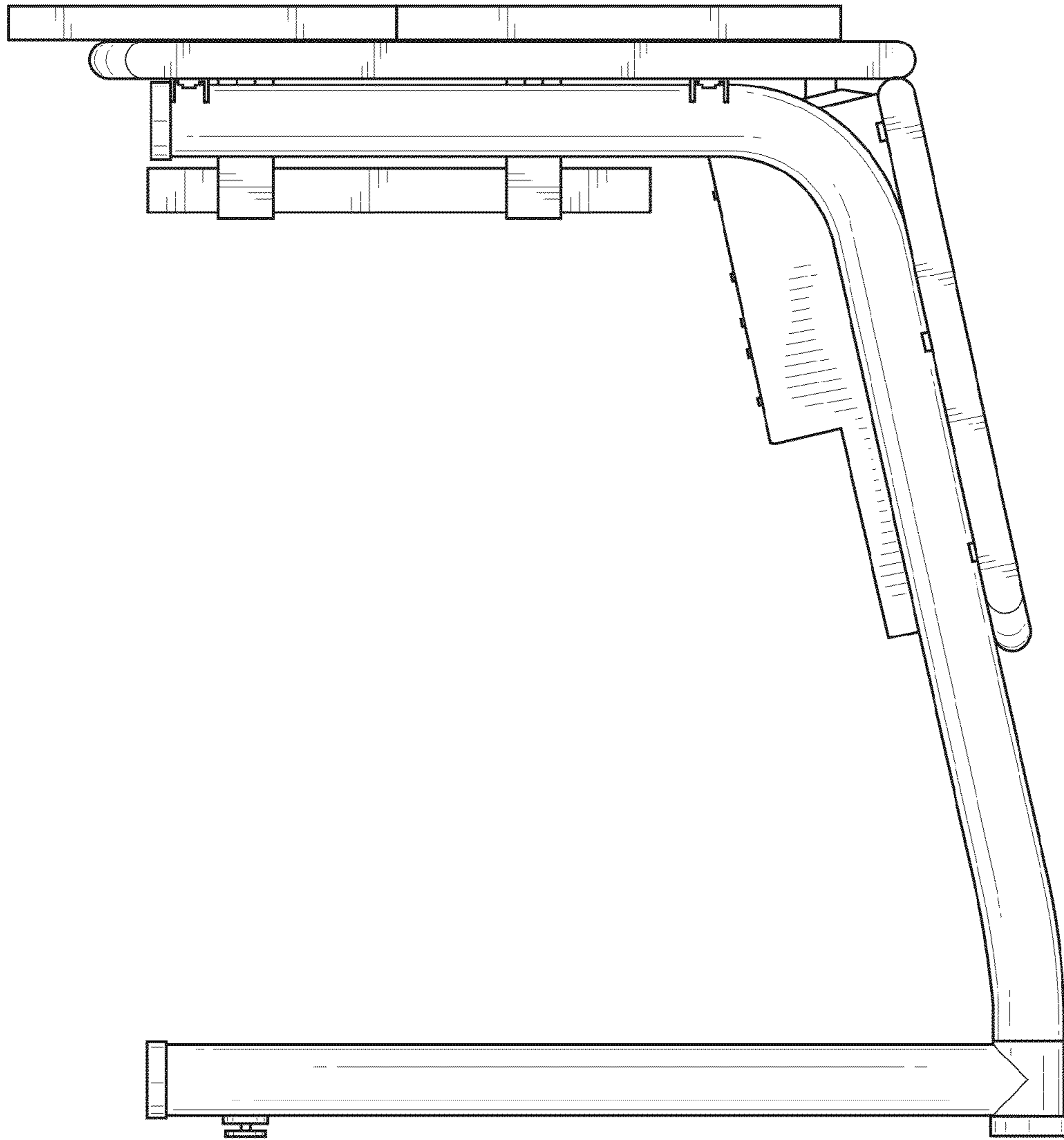


FIG. 5

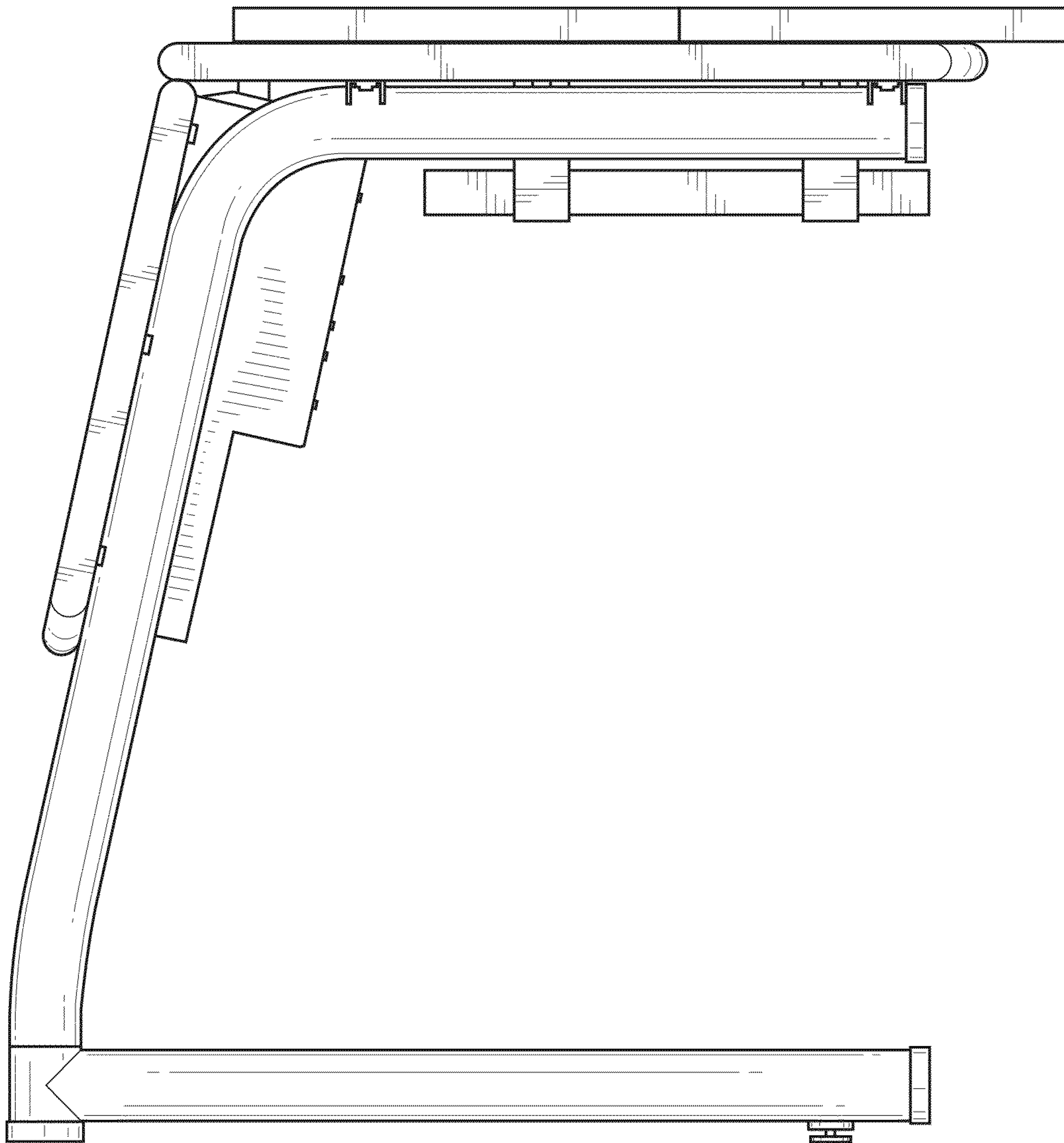


FIG. 6

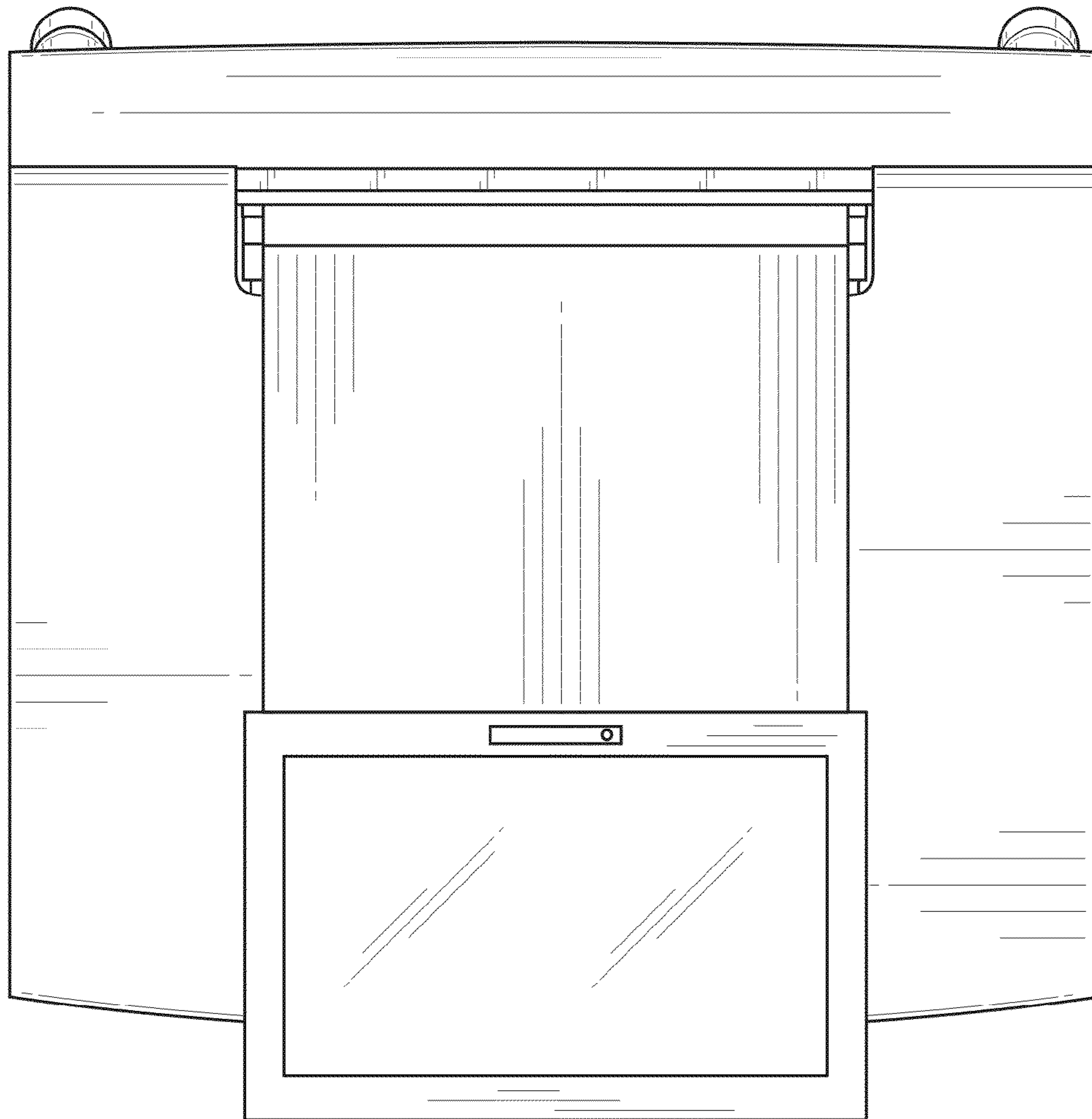


FIG. 7

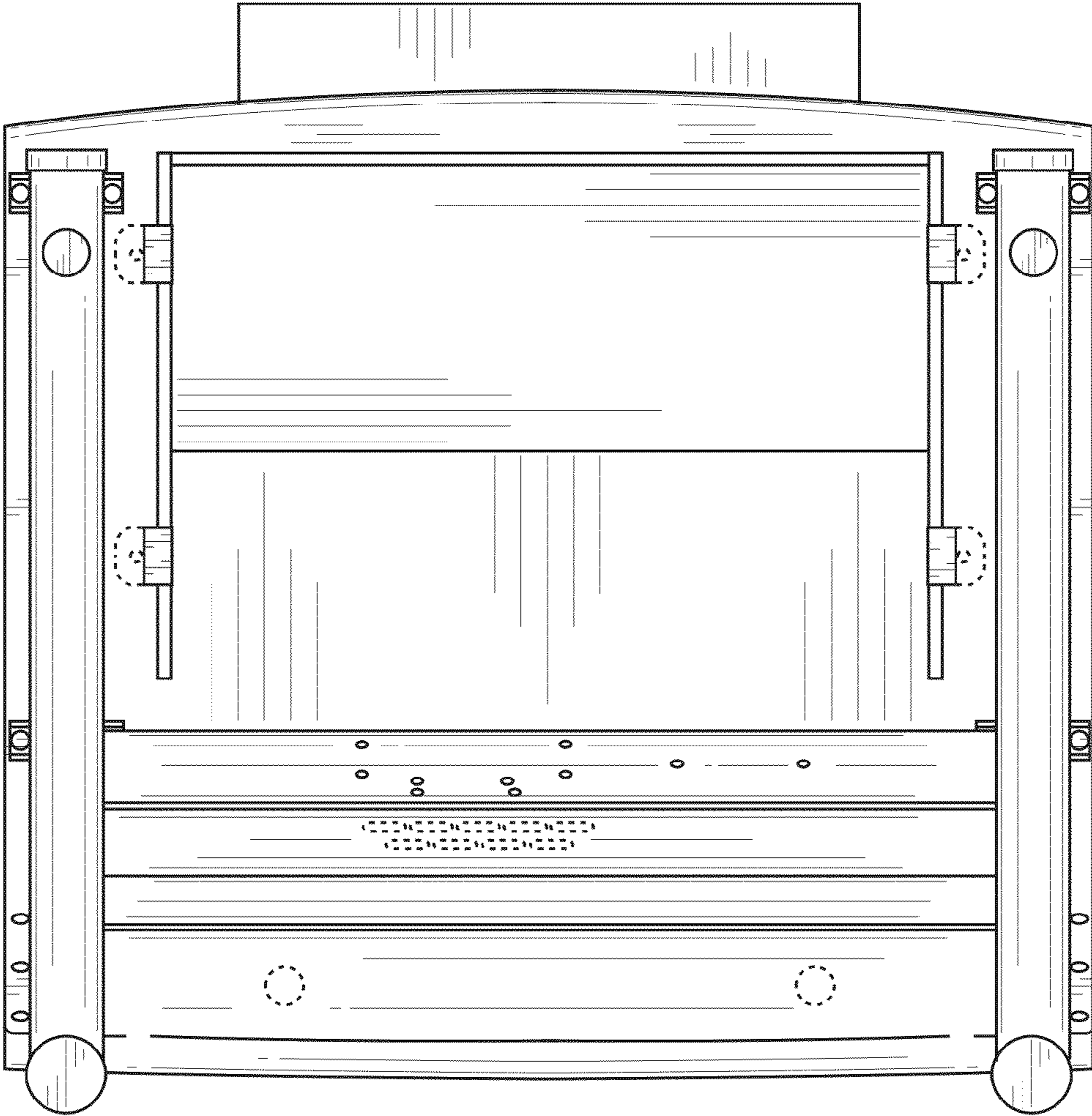


FIG. 8