



US00D737601S

(12) **United States Design Patent**
Riley

(10) **Patent No.:** **US D737,601 S**

(45) **Date of Patent:** **** Sep. 1, 2015**

(54) **MODULAR DESK**

(71) Applicant: **Nati Brook Ventures, LLC**, Beltsville, MD (US)

(72) Inventor: **Darren Patrick Riley**, Beltsville, MD (US)

(73) Assignee: **NATI BROOK VENTURES, LLC**, Beltsville, MD (US)

(**) Term: **14 Years**

(21) Appl. No.: **29/465,478**

(22) Filed: **Aug. 28, 2013**

(51) **LOC (10) Cl.** **06-03**

(52) **U.S. Cl.**
USPC **D6/655.21**

(58) **Field of Classification Search**
USPC D6/641, 642, 643, 656, 656.1, 656.13, 656.14, 656.15, 656.16, 656.17, 708, 656.18, 656.19, 656.20, 656.21; D14/305; 108/50.01, 50.02; 248/188, 188.1, 188.2, 188.3; 312/194-196, 223.3
See application file for complete search history.

(56) **References Cited**

U.S. PATENT DOCUMENTS

D360,324 S * 7/1995 Vogt D6/484
D376,931 S * 12/1996 Fewchuk D6/655.21

D474,356 S * 5/2003 Bosman et al. D6/487
D496,184 S * 9/2004 Sapp D6/422
D507,710 S * 7/2005 Fletcher et al. D6/487
D599,585 S * 9/2009 Kumazawa D6/655.21
8,596,204 B2 * 12/2013 Costamagna 108/6
2006/0174807 A1 * 8/2006 Dral et al. 108/50.01

* cited by examiner

Primary Examiner — Janice Seeger

(74) *Attorney, Agent, or Firm* — Moazzam & Associates, LLC

(57) **CLAIM**

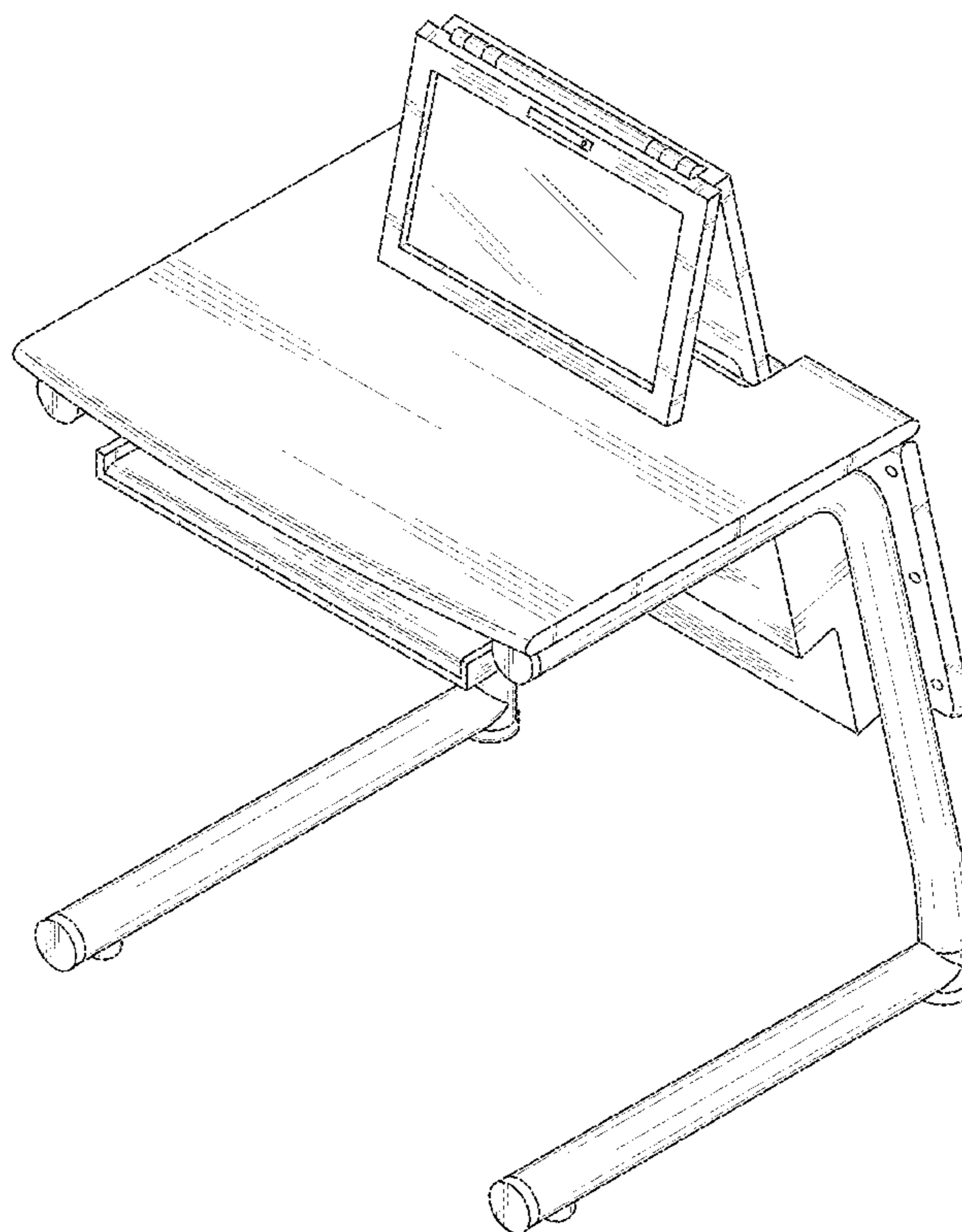
The ornamental design for a modular desk, as shown and described.

DESCRIPTION

FIG. 1 is a front perspective view of a modular desk showing my new design;
FIG. 2 is a back perspective view thereof;
FIG. 3 is a front elevational view thereof; and
FIG. 4 is a back elevational view thereof; and
FIG. 5 is a right side elevational view thereof;
FIG. 6 is a left side elevational view thereof;
FIG. 7 is a top plan view thereof; and,
FIG. 8 is a bottom plan view thereof.

The broken lines are for environmental purposes only and form no part of the claimed design.

1 Claim, 8 Drawing Sheets



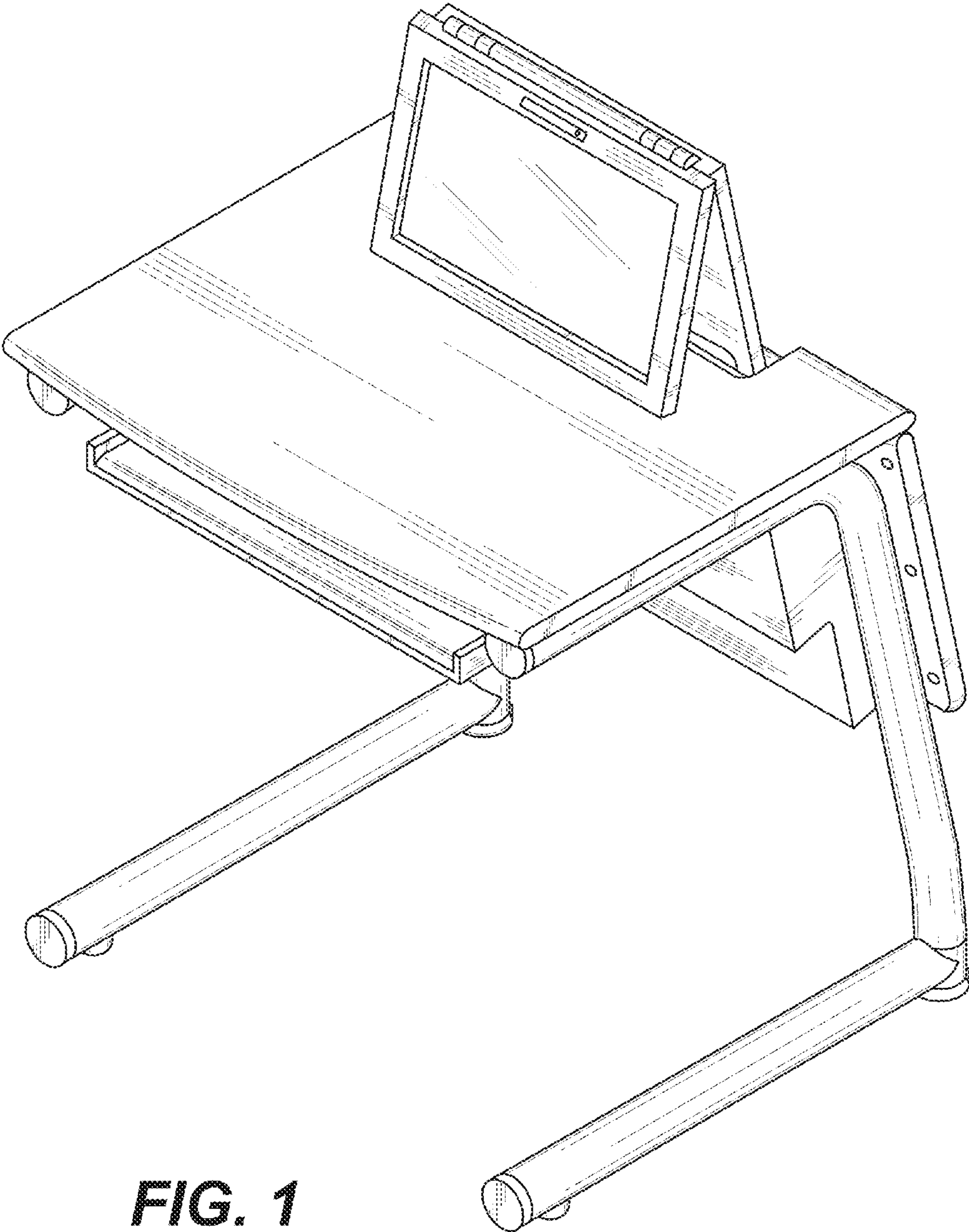


FIG. 1

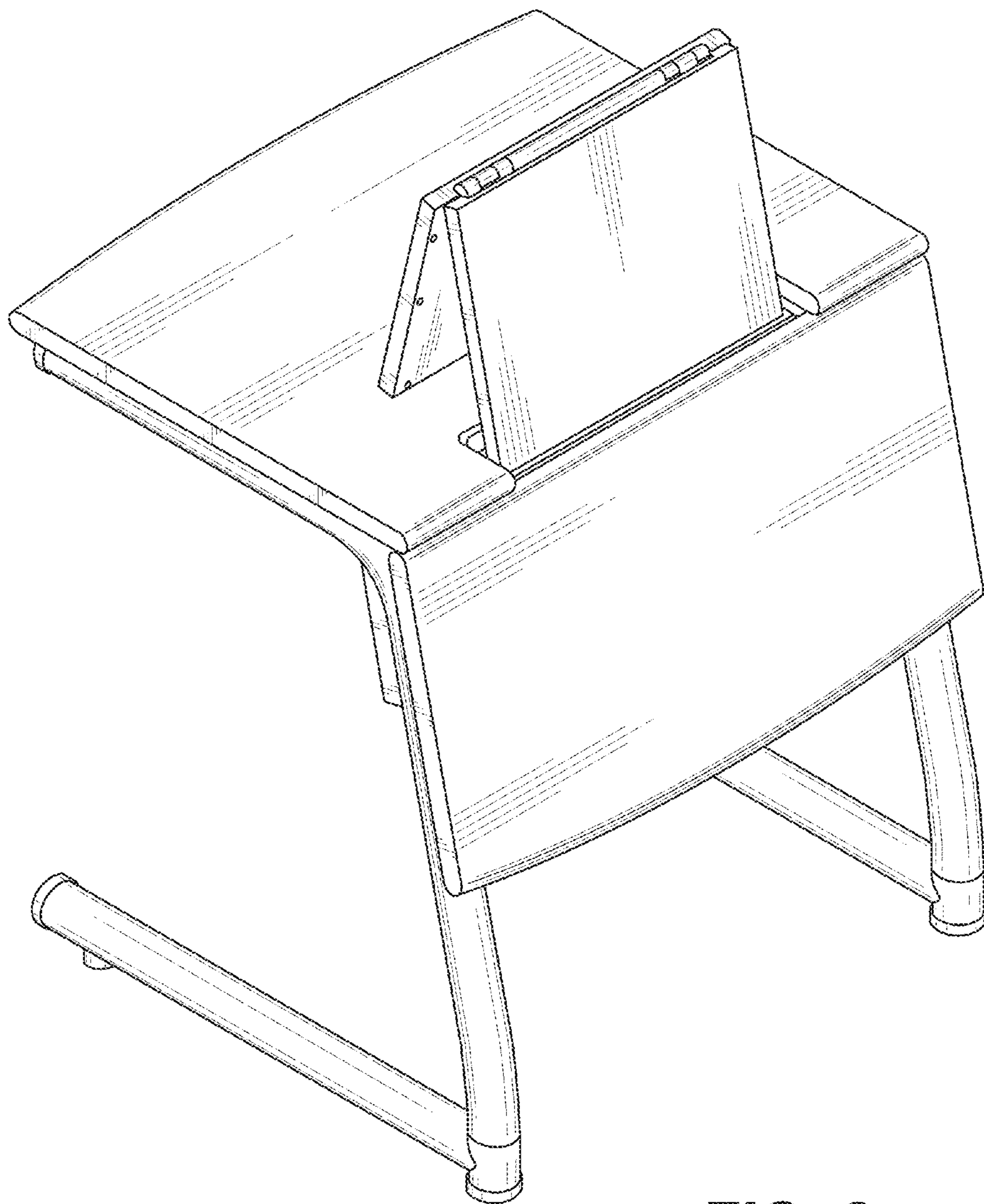


FIG. 2

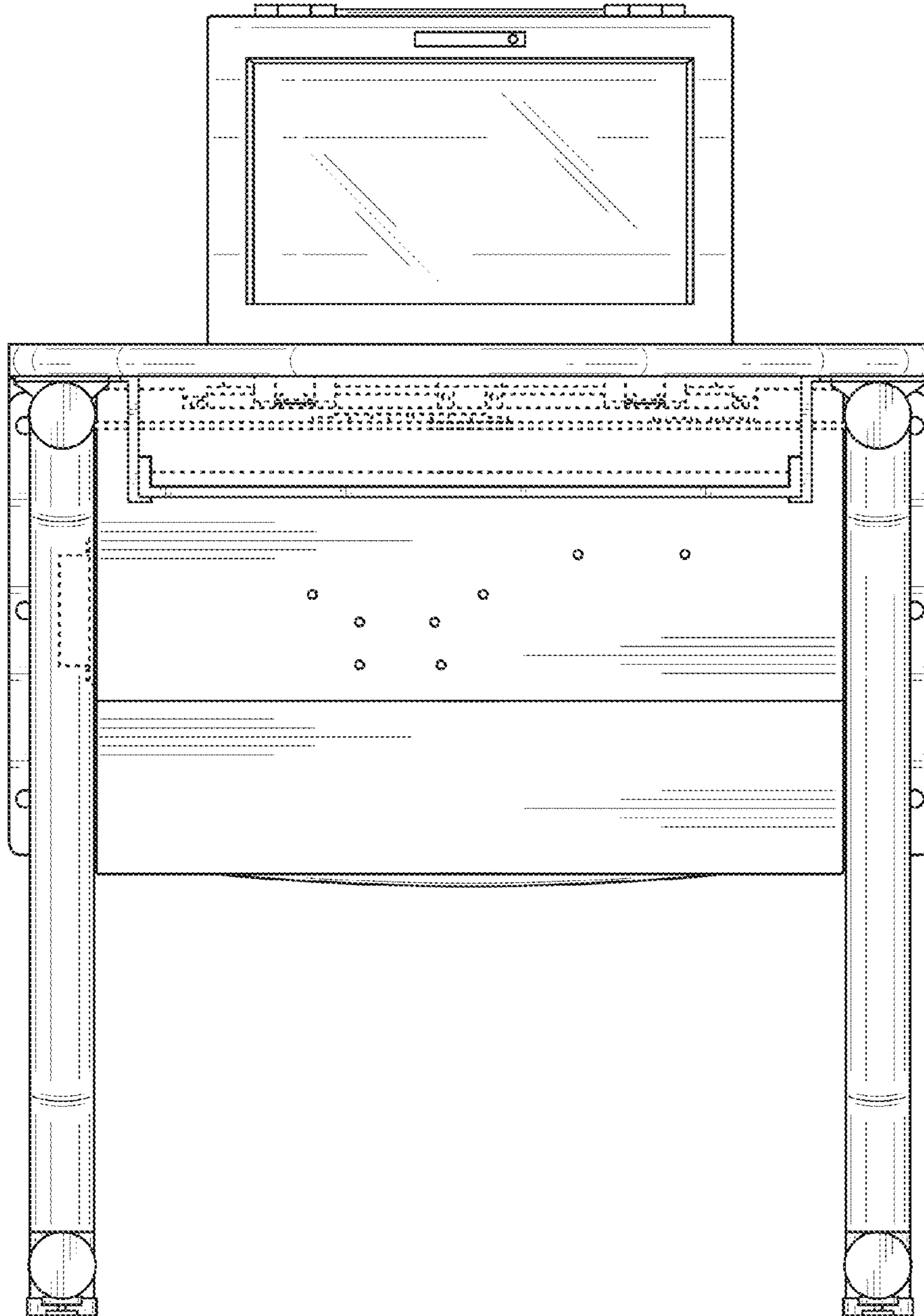


FIG. 3

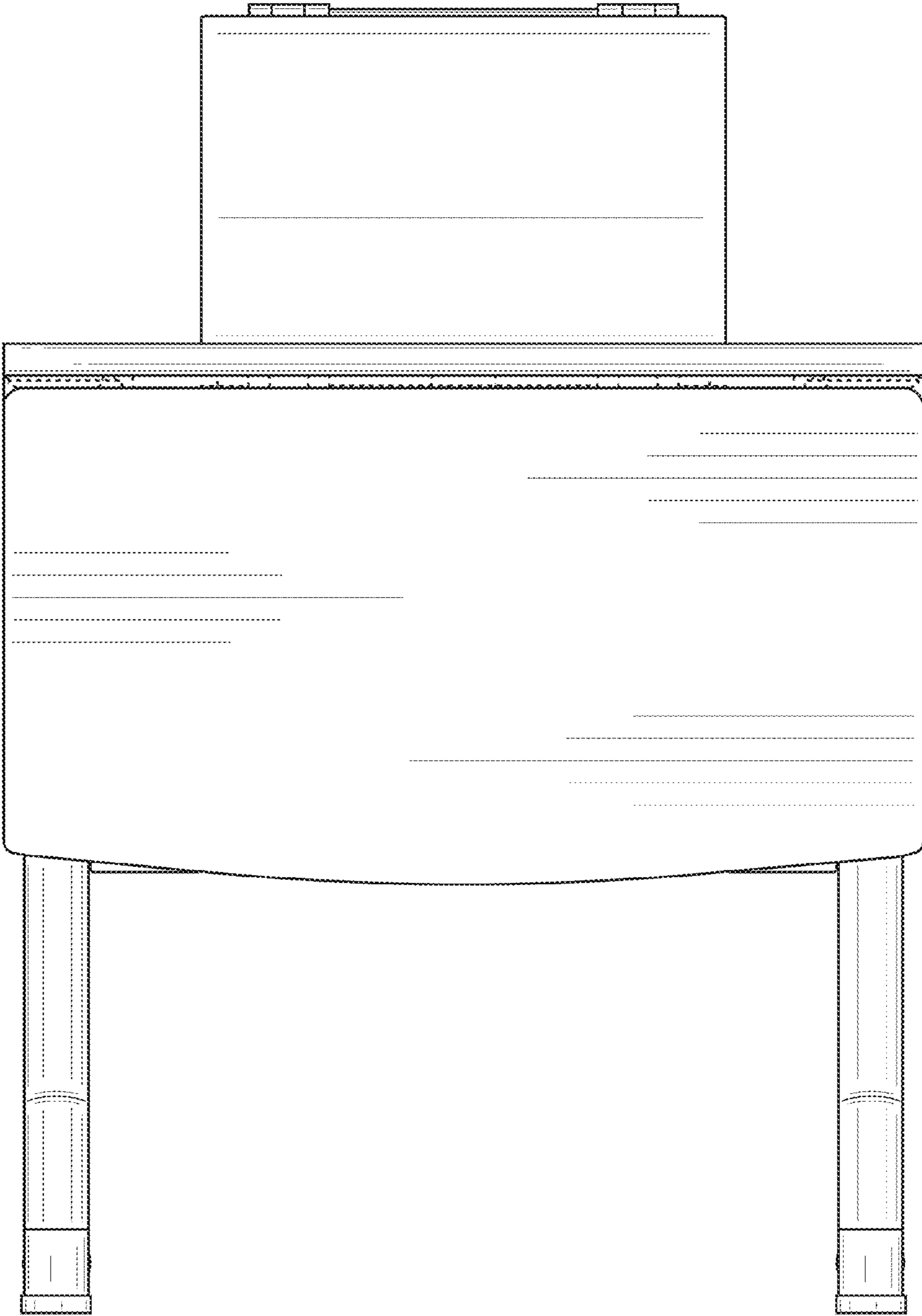


FIG. 4

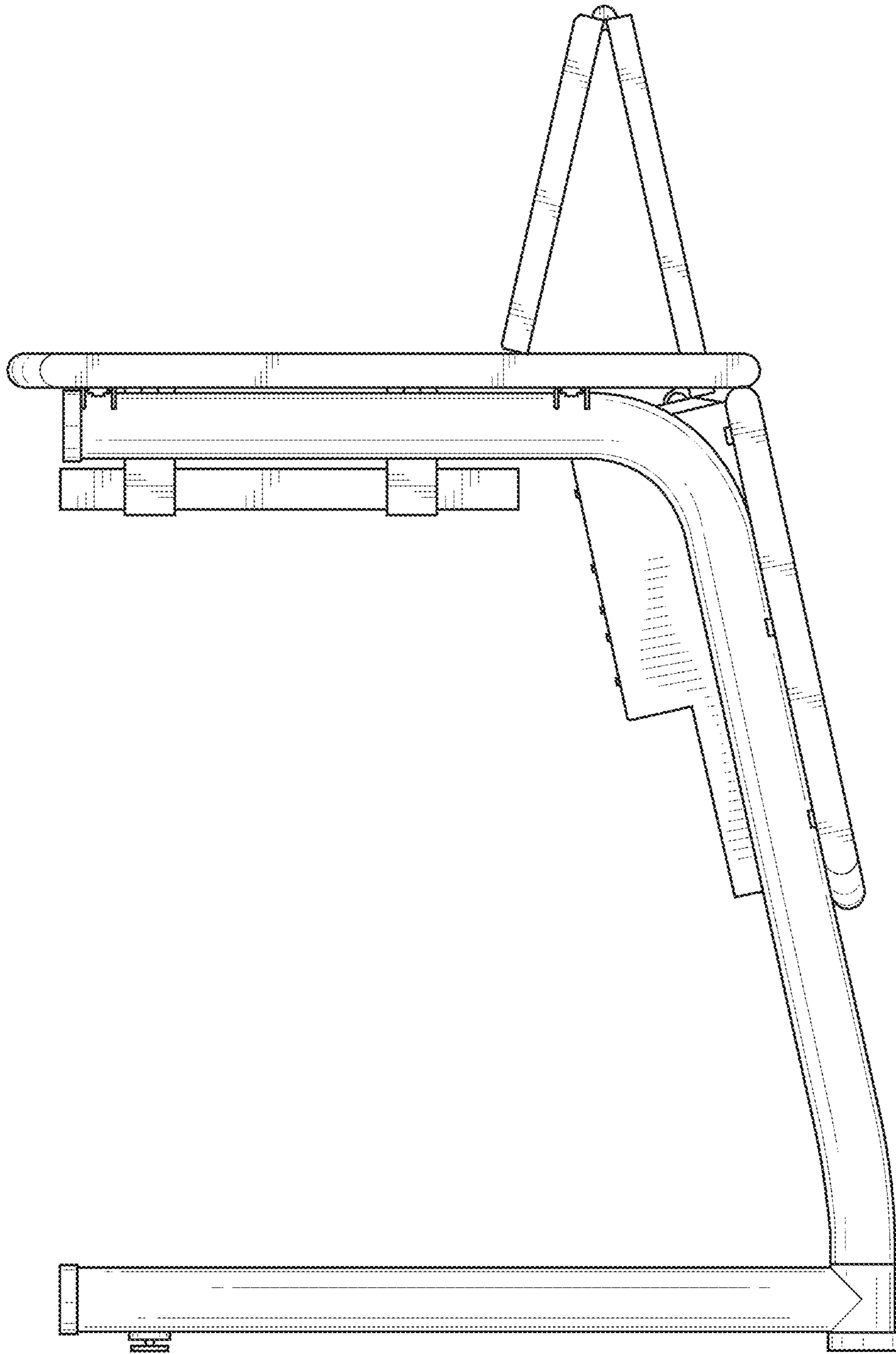


FIG. 5

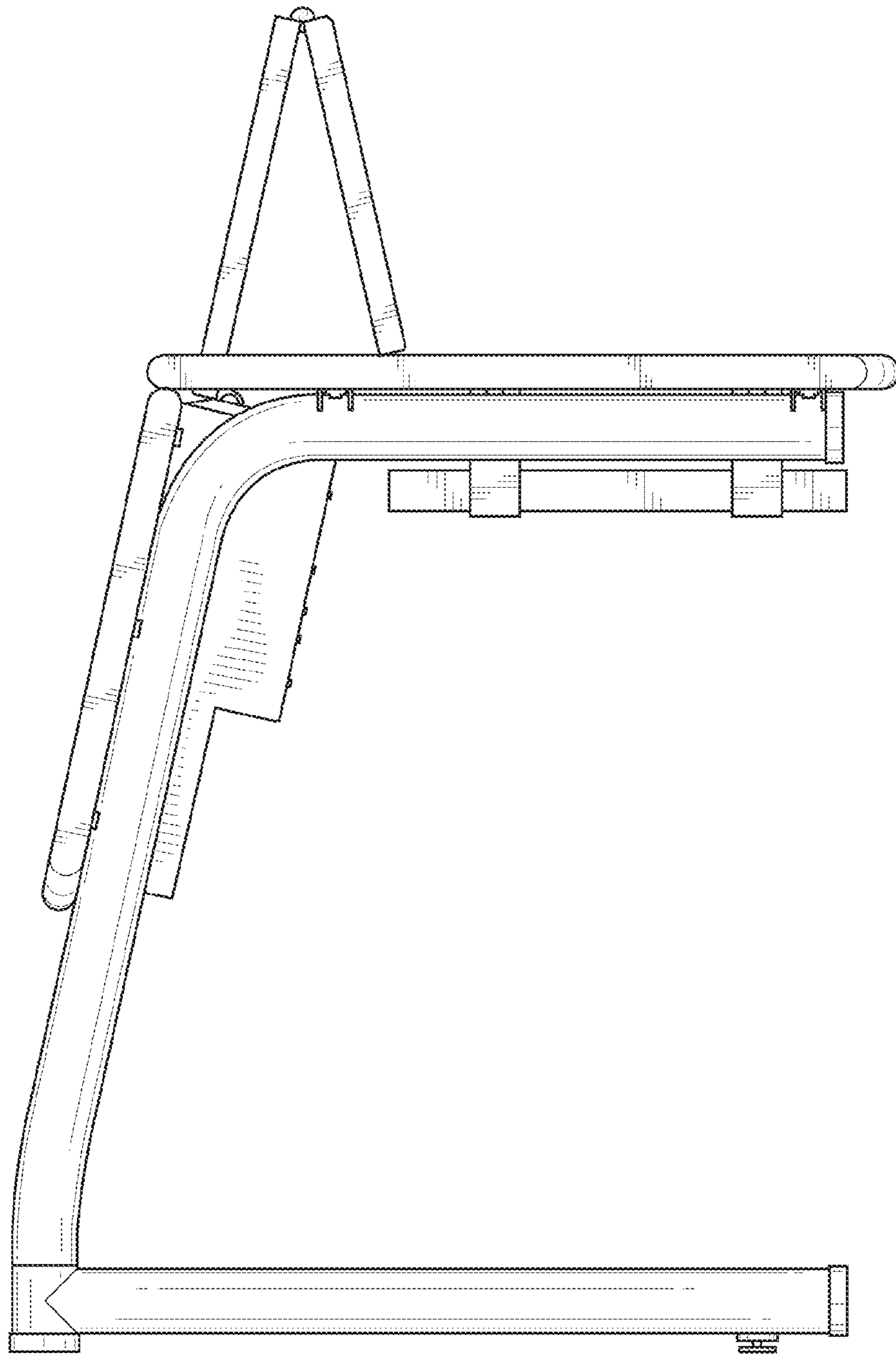


FIG. 6

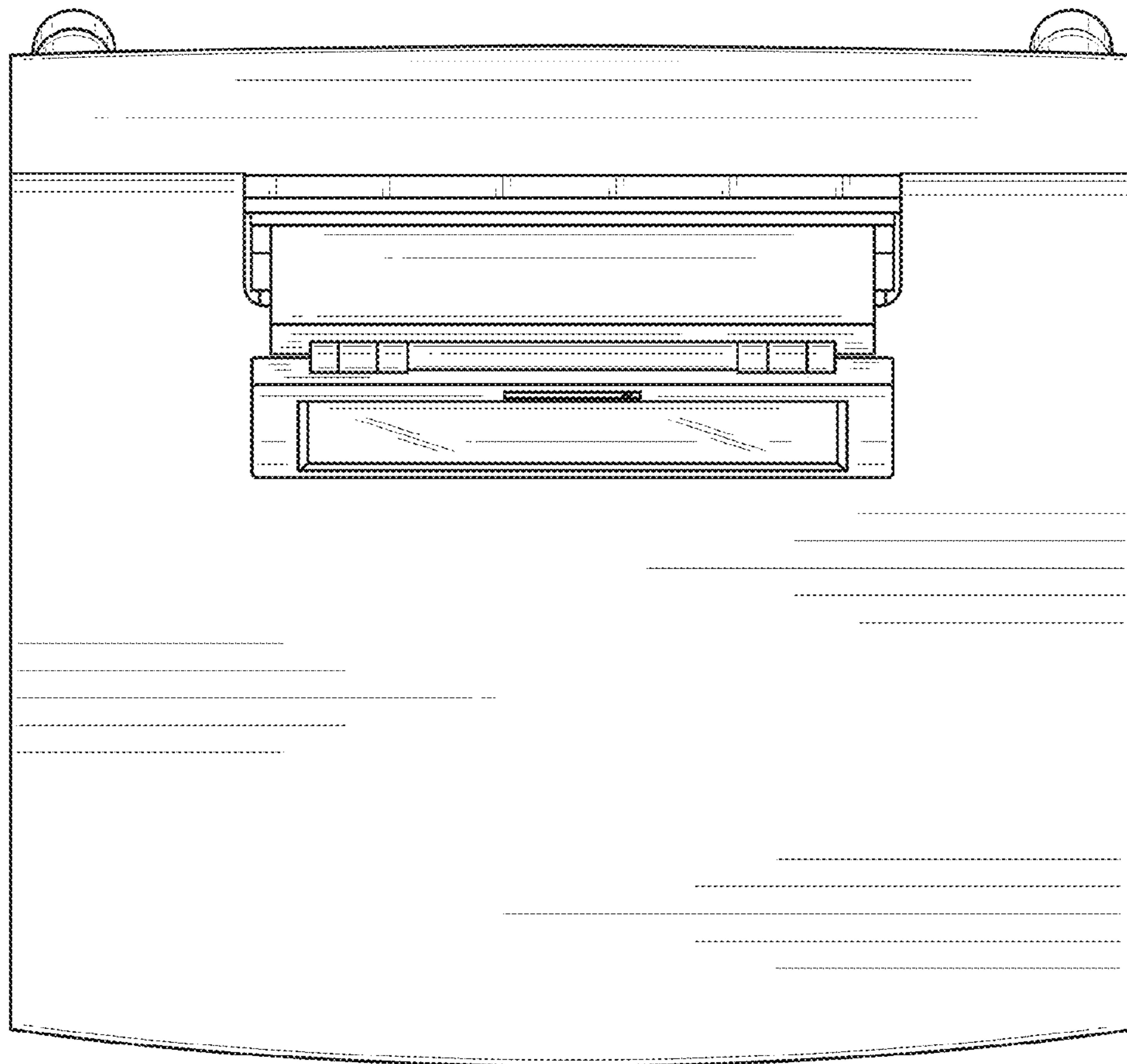


FIG. 7

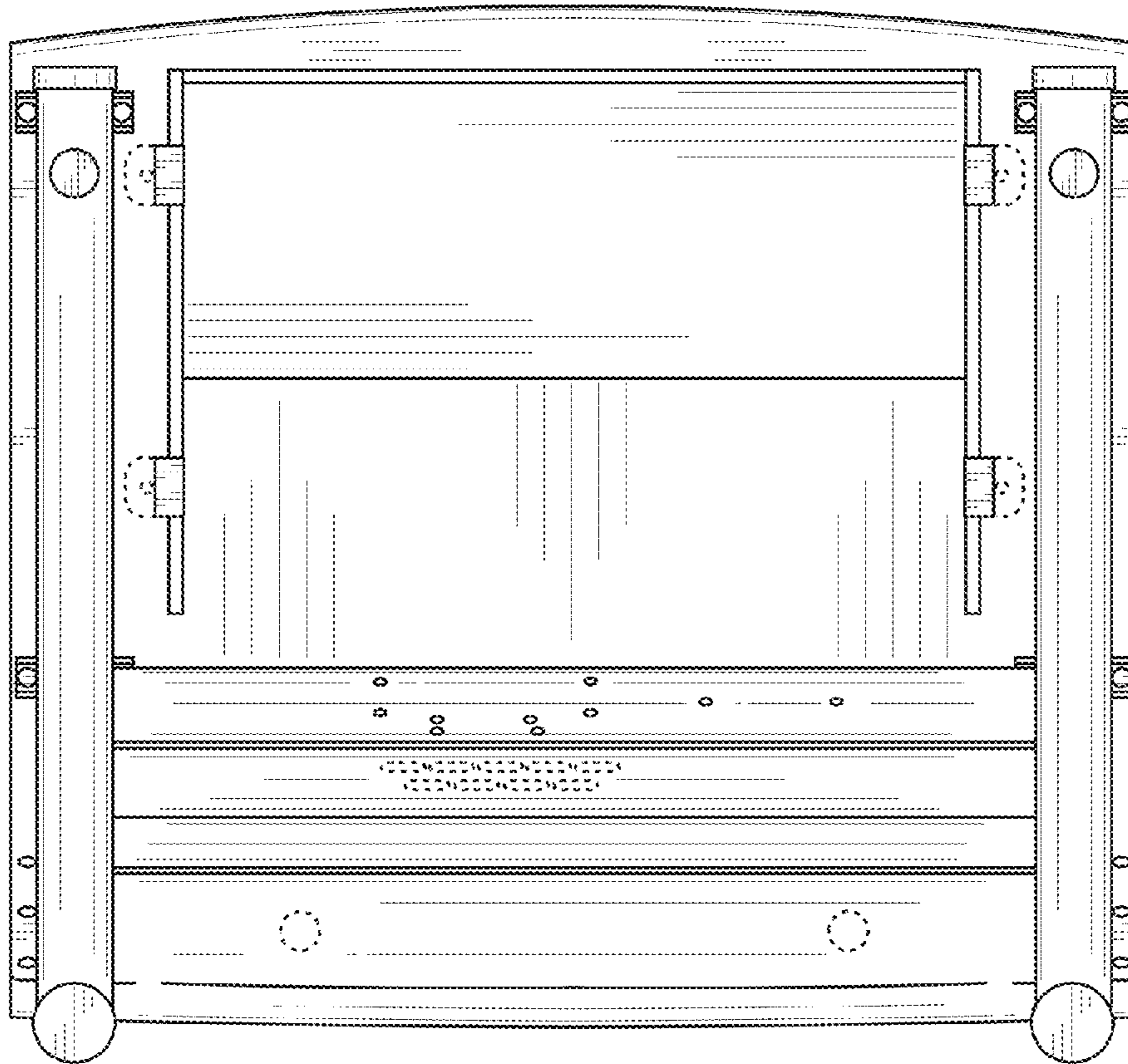


FIG. 8