



US00D737600S

(12) **United States Design Patent**
Bovay et al.

(10) **Patent No.:** **US D737,600 S**

(45) **Date of Patent:** **** Sep. 1, 2015**

(54) **SCREEN**

(71) Applicants: **Linda Bovay**, Highland, MI (US);
Vickie Childers, Grand Blanc, MI (US)

(72) Inventors: **Linda Bovay**, Highland, MI (US);
Vickie Childers, Grand Blanc, MI (US)

(**) Term: **14 Years**

(21) Appl. No.: **29/471,840**

(22) Filed: **Nov. 5, 2013**

(51) **LOC (10) Cl.** **06-13**

(52) **U.S. Cl.**
USPC **D6/611**

(58) **Field of Classification Search**
USPC D6/610, 611, 596, 601, 602, 603, 615,
D6/617, 621; D7/332, 334-337;
D12/401-405; 135/87, 88.01, 95;
150/165-167, 158, 154; 280/770;
296/136.01, 136.1, 136.11
CPC B62J 19/00; B62J 1/22; B62J 1/24;
B62J 1/20; B62J 1/26; B62J 1/28
See application file for complete search history.

(56) **References Cited**

U.S. PATENT DOCUMENTS

2,288,469	A	6/1942	Lookholder	
2,557,279	A	6/1951	Greenberg	
5,075,897	A	12/1991	Daniels	
5,339,748	A	8/1994	Bilotti	
5,666,679	A	9/1997	Ruddy	
D411,703	S	6/1999	France	
D425,357	S	5/2000	Waring	
D428,296	S	7/2000	Kelldorf	
6,170,100	B1	1/2001	Le Gette et al.	
6,178,979	B1	1/2001	Galloway	
D496,322	S *	9/2004	Farney et al.	D12/401
D530,559	S	10/2006	Fails	
D545,106	S	6/2007	Hourihan	
D575,568	S	8/2008	Chen et al.	
D603,201	S *	11/2009	Corle	D6/611
D634,152	S *	3/2011	Natkin	D6/611

(Continued)

Primary Examiner — Katrina A Betton

(74) *Attorney, Agent, or Firm* — Endurance Law Group
PLC; Ray Meiers

(57) **CLAIM**

We claim the ornamental design for a screen, as shown and described.

DESCRIPTION

FIG. 1 is a front perspective view of the screen mounted on a chair, wherein two horizontal straps and a vertical strap are connected together;

FIG. 2 is a rear perspective view of the screen mounted on the chair, wherein one, vertically-arranged tensioning strap is disconnected from mating strips mounted on a main panel of the screen;

FIG. 3 is a front planar view of the screen, wherein the two horizontal straps and the vertical strap are disconnected from one another; wherein either hook or loop fasteners are shown arranged on strips mounted on one of the horizontal straps and on the vertical strap;

FIG. 4 is a front planar view of the screen, wherein the two horizontal straps and the vertical strap are connected together;

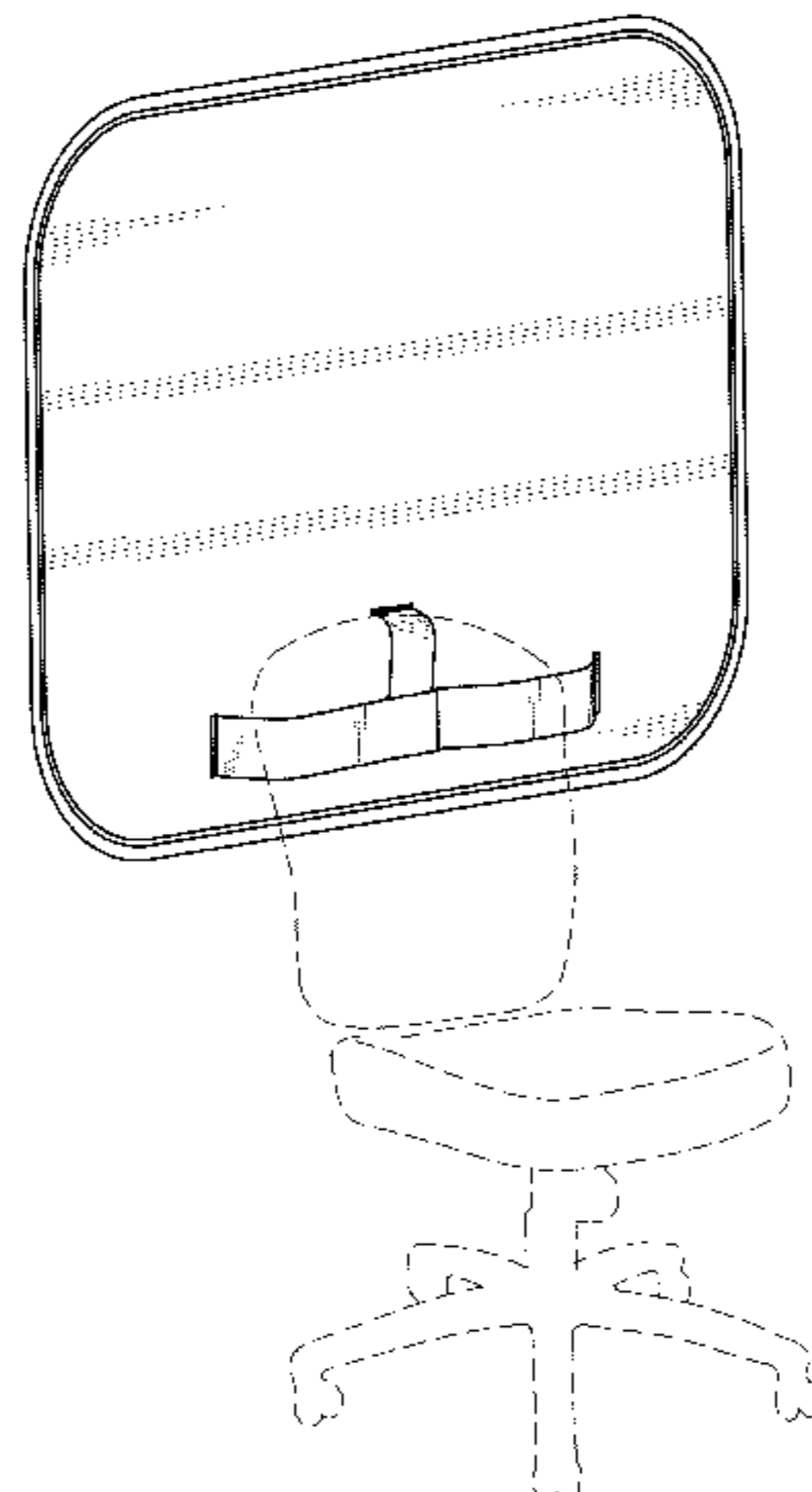
FIG. 5 is a rear planar view of the screen, wherein the two, vertically-arranged tensioning straps are connected to respective sets of mating strips mounted on the main panel of the screen;

FIG. 6 is a rear planar view of the screen, wherein the vertically-arranged tensioning strap is connected to mating strips mounted on the main panel of the screen; and,

FIG. 7 is a section taken along section lines 7-7 in FIG. 3.

The screen is useful for mounting on a chair. When the person sitting on the chair in front of a webcam, the screen can block the view behind the person. The tensioning straps on the back can be selectively engaged and disengaged with mating strips to enhance the degree that the screen retains a vertical orientation.

1 Claim, 7 Drawing Sheets



(56)

References Cited

U.S. PATENT DOCUMENTS

D648,587 S	*	11/2011	Rice Golin	D6/611	D648,590 S	*	11/2011	Rice Golin	D6/611
D648,588 S	*	11/2011	Rice Golin	D6/611	D661,937 S	*	6/2012	Rice Golin	D6/611
D648,589 S	*	11/2011	Rice Golin	D6/611	D673,803 S	*	1/2013	Paron	D6/611
					D675,469 S	*	2/2013	Glowner	D6/611
					2014/0311036 A1	*	10/2014	Alexander et al.	49/463

* cited by examiner

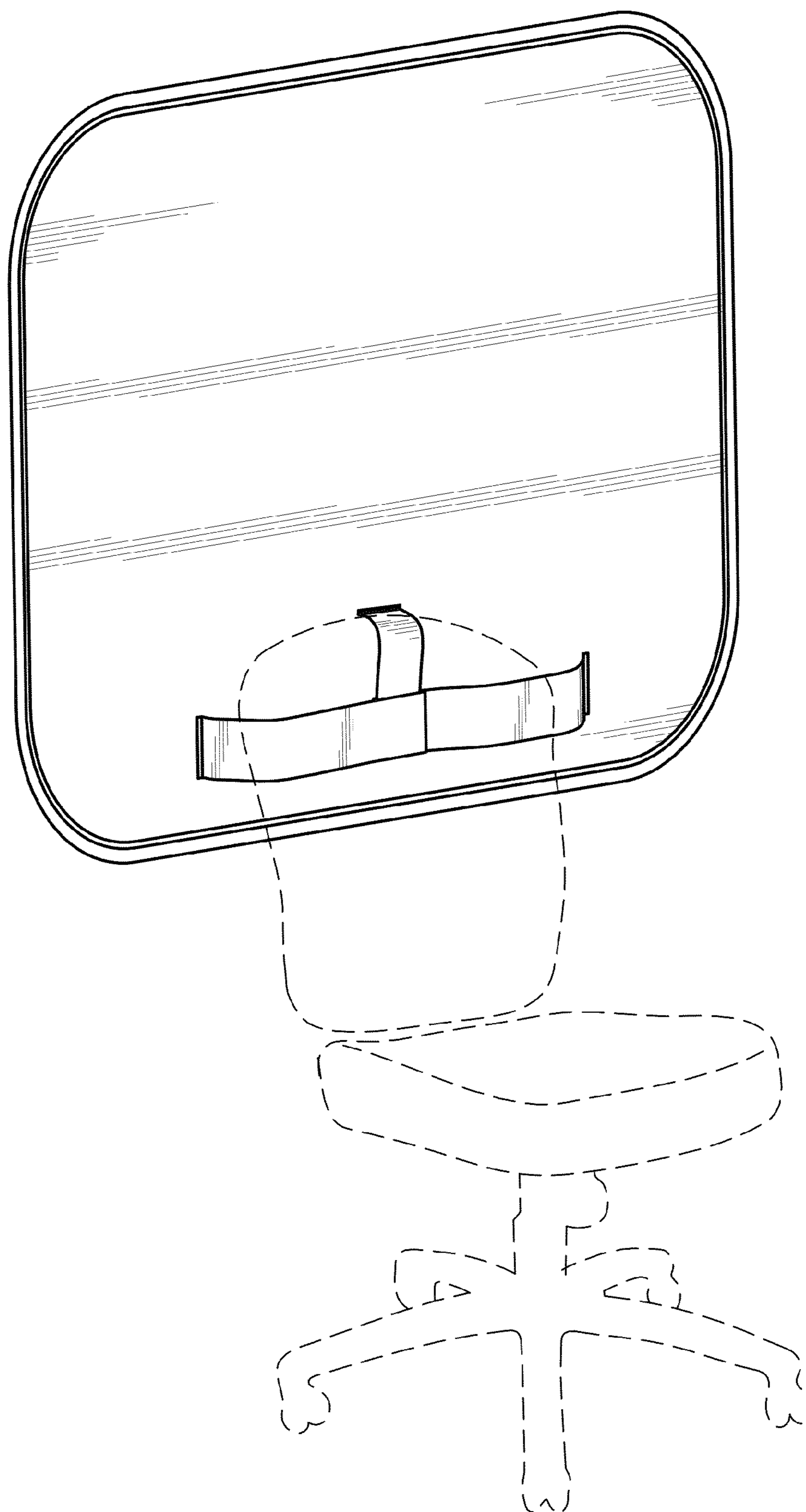


FIG. 1

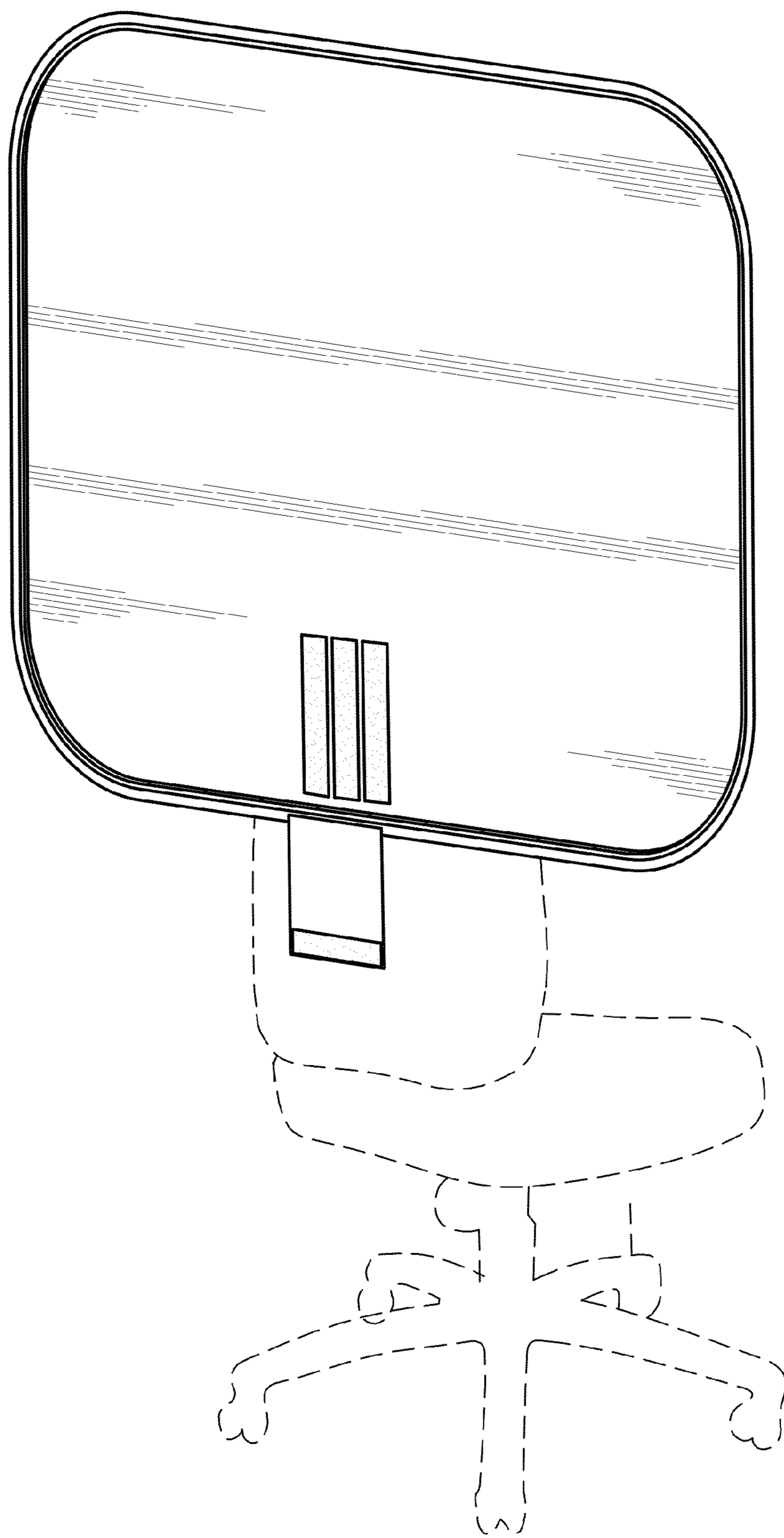


FIG. 2

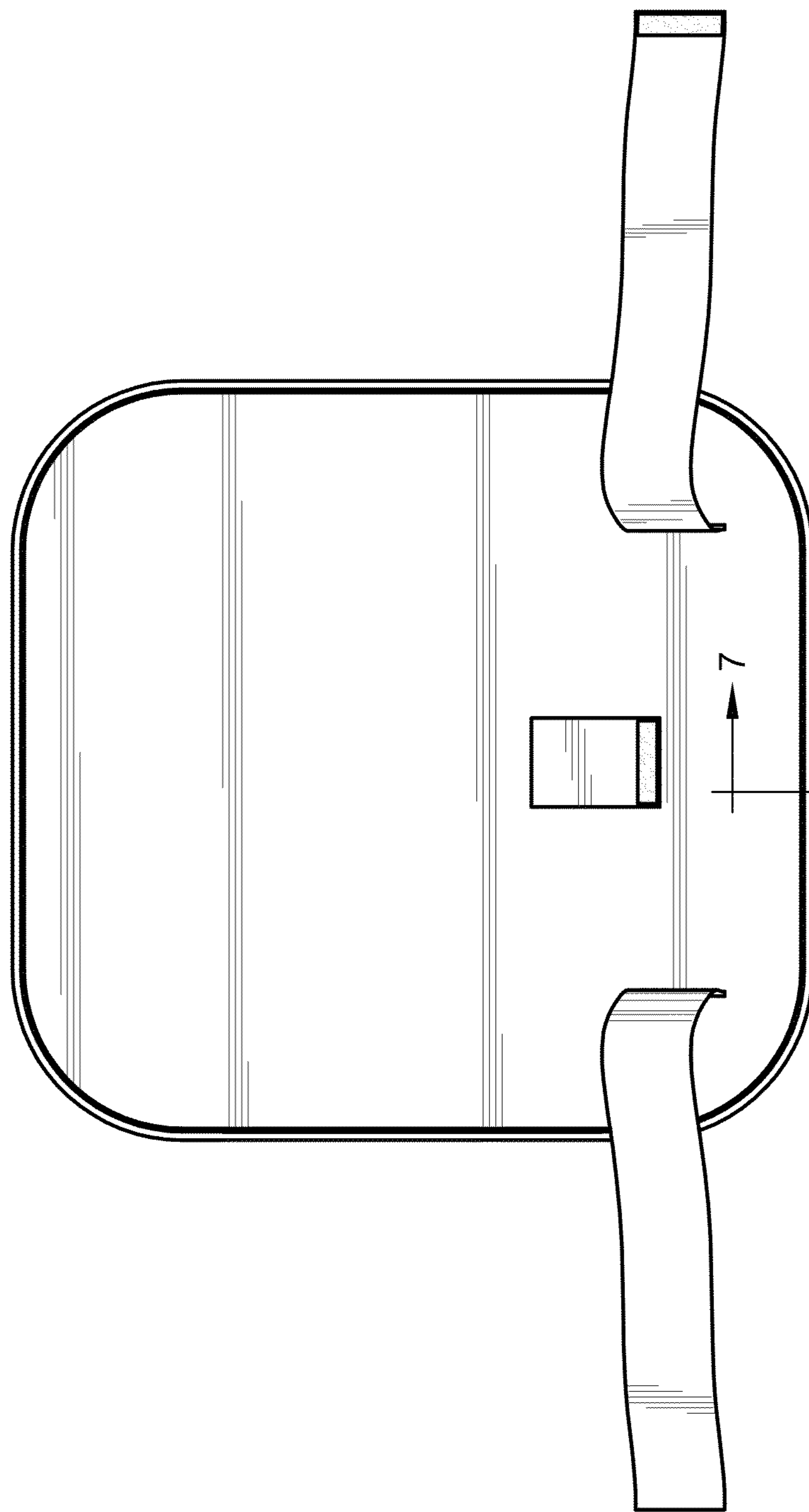


FIG. 3

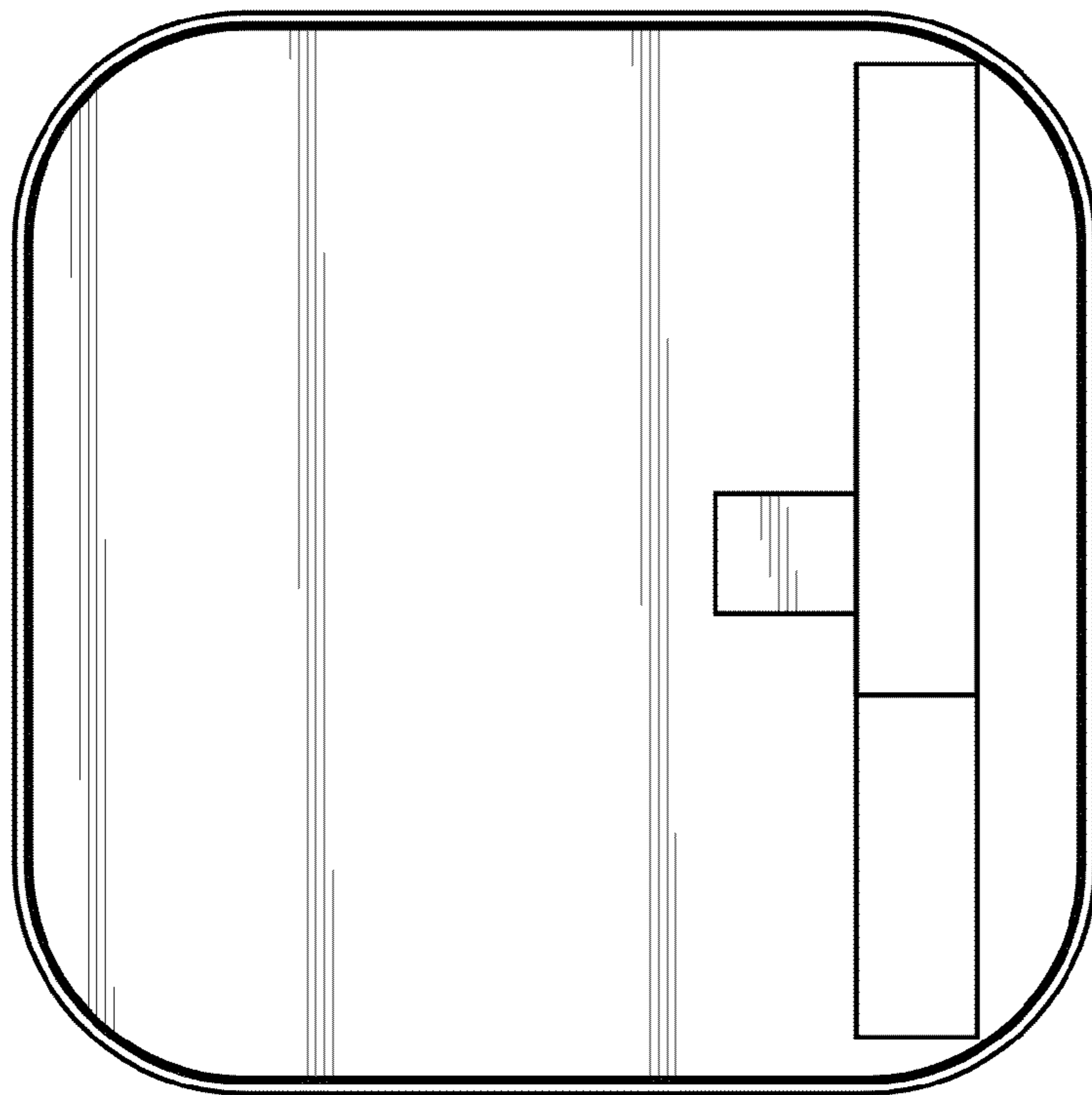


FIG. 4

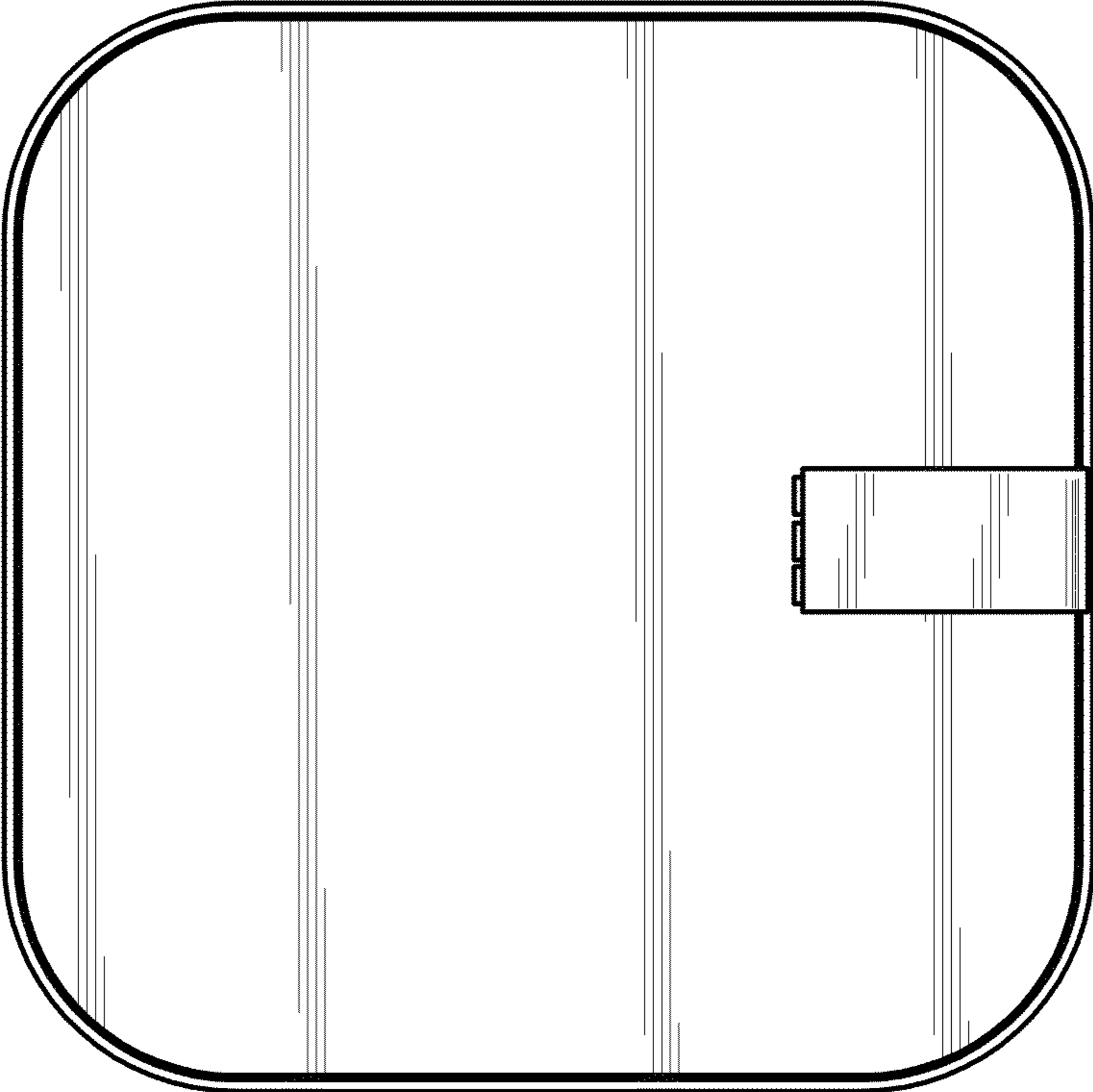


FIG. 5

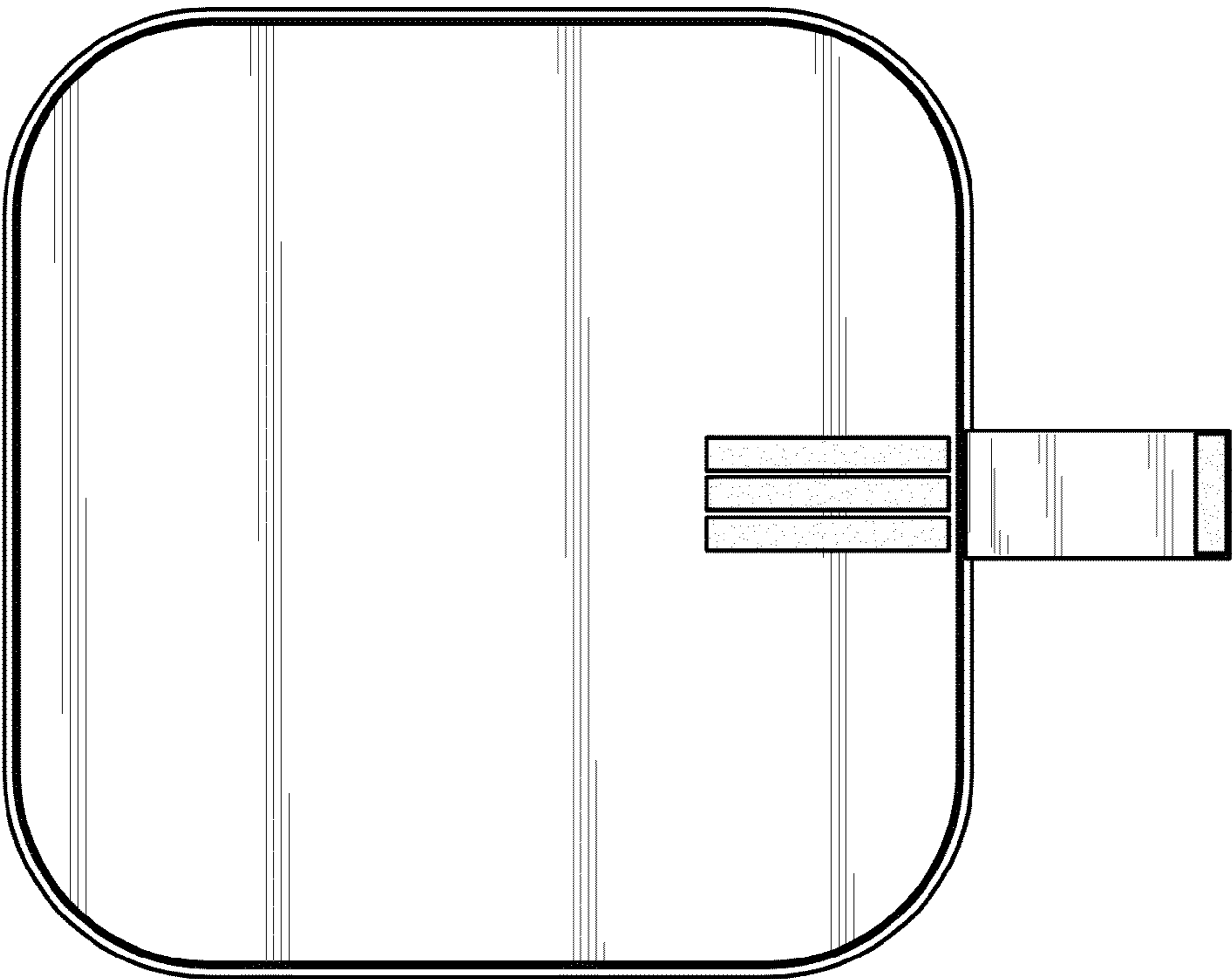


FIG. 6

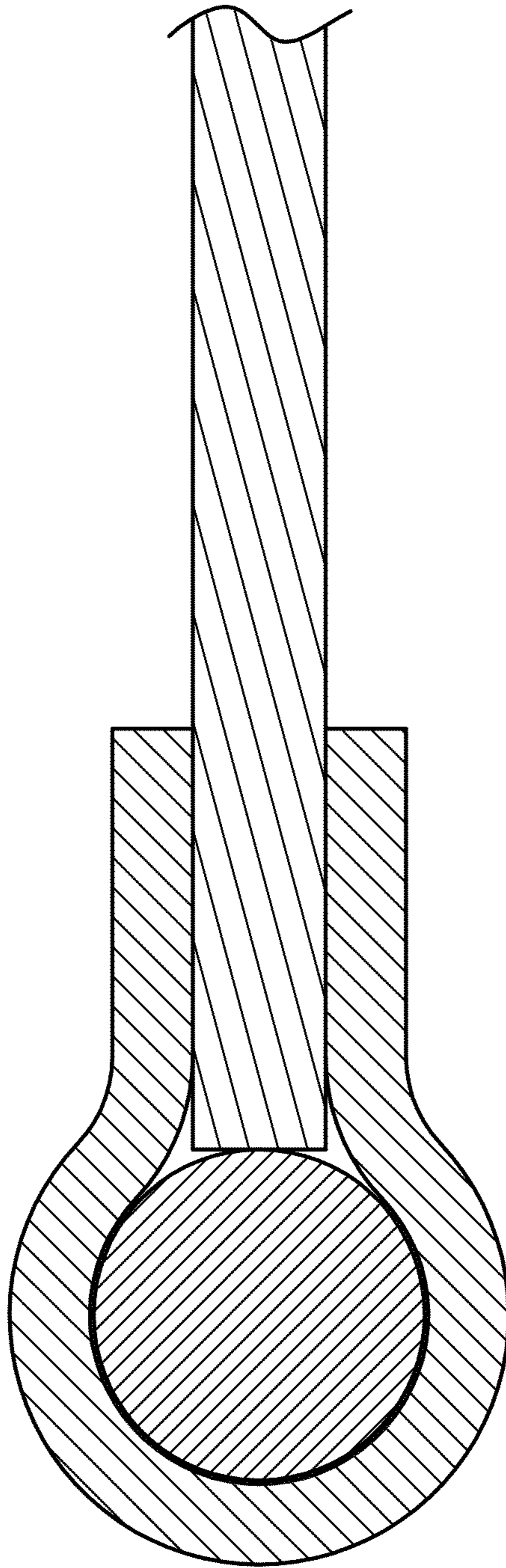


FIG.7