



US00D737596S

(12) **United States Design Patent**
Chou

(10) **Patent No.:** **US D737,596 S**
(45) **Date of Patent:** **** Sep. 1, 2015**

(54) **TENSION KEY**

(71) Applicant: **Tser Wen Chou**, Taipei (TW)

(72) Inventor: **Tser Wen Chou**, Taipei (TW)

(**) Term: **14 Years**

(21) Appl. No.: **29/501,254**

(22) Filed: **Sep. 2, 2014**

(51) **LOC (10) Cl.** **06-10**

(52) **U.S. Cl.**
USPC **D6/580**

(58) **Field of Classification Search**
USPC D6/575, 576, 577, 578, 579, 580, 581;
D8/19, 349, 354, 363, 368, 369, 376,
D8/387, 395, 399; 160/84.01, 84.02,
160/84.03, 84.04, 84.05, 84.06, 84.07,
160/84.08, 107, 108, 111, 113, 130, 133,
160/166.1, 168.1 R, 330
CPC E06B 3/30; E06B 9/00; E06B 9/02;
E06B 9/24; E06B 9/262; A47H 1/00; A47H
1/02; A47H 21/00; A47H 23/00; A47H 23/02;
A47H 23/04; A47H 2001/0205; A47H
2023/025
See application file for complete search history.

(56) **References Cited**

U.S. PATENT DOCUMENTS

D199,894 S * 12/1964 Huffaker D8/336
D204,660 S * 5/1966 Vuotto D8/19
3,296,827 A * 1/1967 Landon, Jr. et al. 464/92

D272,392 S * 1/1984 Bigelow D8/354
D323,045 S * 1/1992 Gabler D32/46
D431,176 S * 9/2000 Zarnoti et al. D8/354
D452,121 S * 12/2001 Teichelman D8/19
D467,629 S * 12/2002 Manville D21/496
D509,092 S * 9/2005 Allsopp D6/580
7,975,748 B2 * 7/2011 Yu et al. 160/84.05
D649,434 S * 11/2011 Lalancette et al. D8/354
2012/0227913 A1 * 9/2012 Chou 160/176.1 R
2014/0083630 A1 * 3/2014 Wu 160/84.04

* cited by examiner

Primary Examiner — Karen S Acker

Assistant Examiner — Wendy Arminio

(74) *Attorney, Agent, or Firm* — Guice Patents PLLC

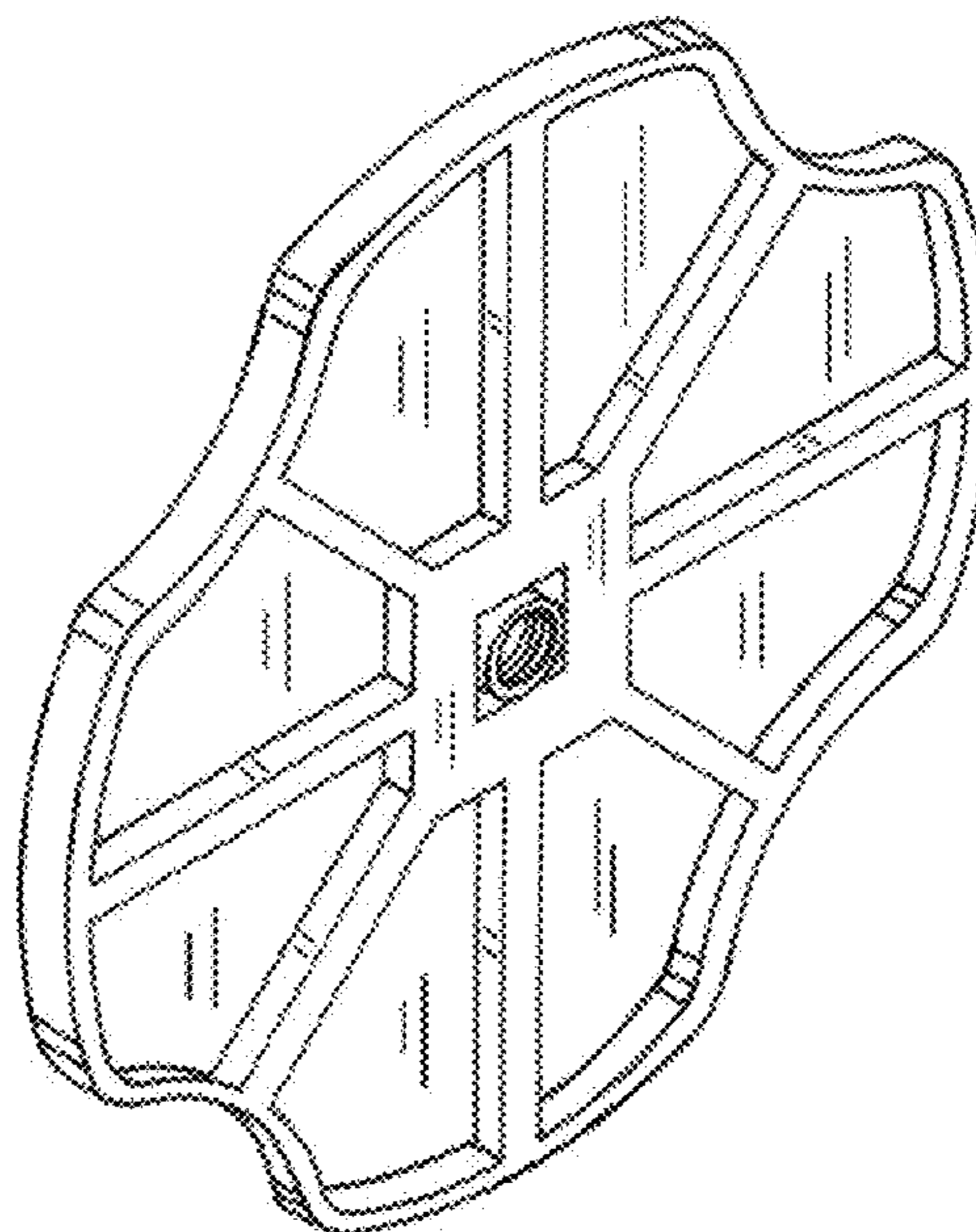
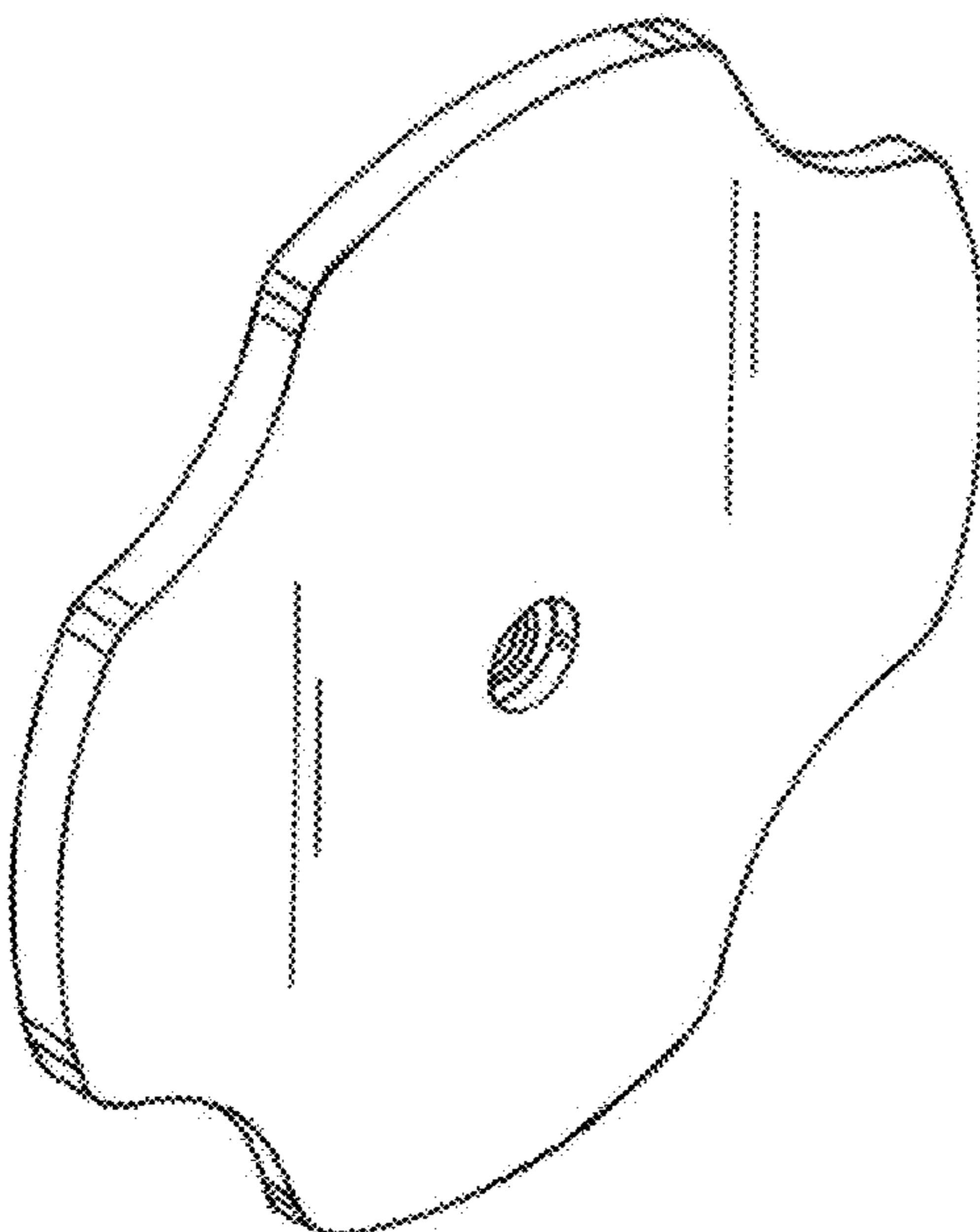
(57) **CLAIM**

The ornamental design for a tension key, as shown and described.

DESCRIPTION

FIG. 1 is a perspective view of a tension key;
FIG. 2 is a front view thereof;
FIG. 3 is a rear view thereof;
FIG. 4 is a right side view thereof;
FIG. 5 is a left side view thereof;
FIG. 6 is a top view thereof;
FIG. 7 is a bottom view thereof;
FIG. 8 is a rear perspective view thereof; and,
FIG. 9 is a perspective view of the design of FIG. 1 shown in a position of use mounted on a bracket of a curtain.
The broken lines showing a headrail, bracket, and attaching screw in FIG. 9 depict environmental subject matter that forms no part of the claimed design.

1 Claim, 6 Drawing Sheets



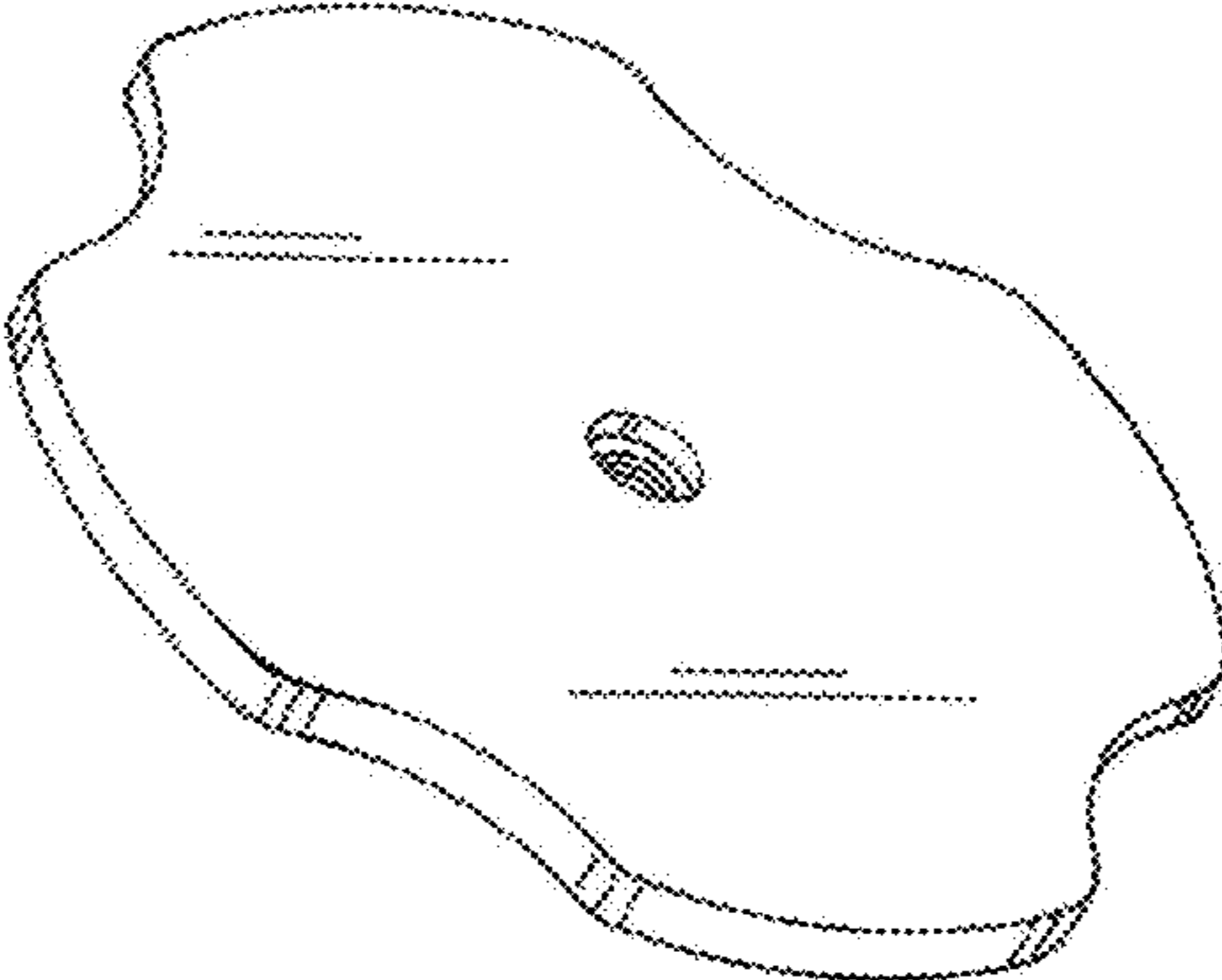


FIG.1

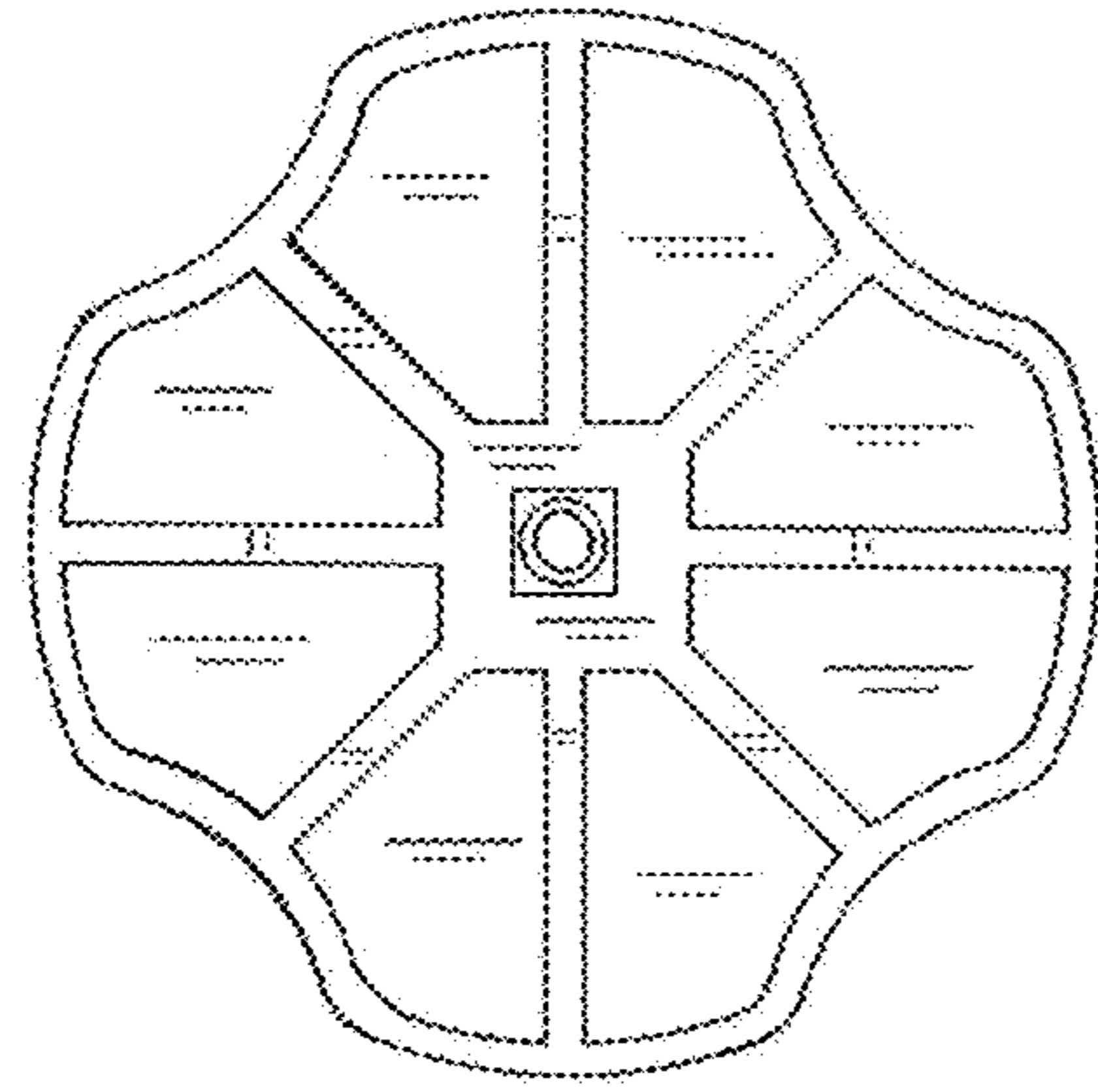


FIG.3

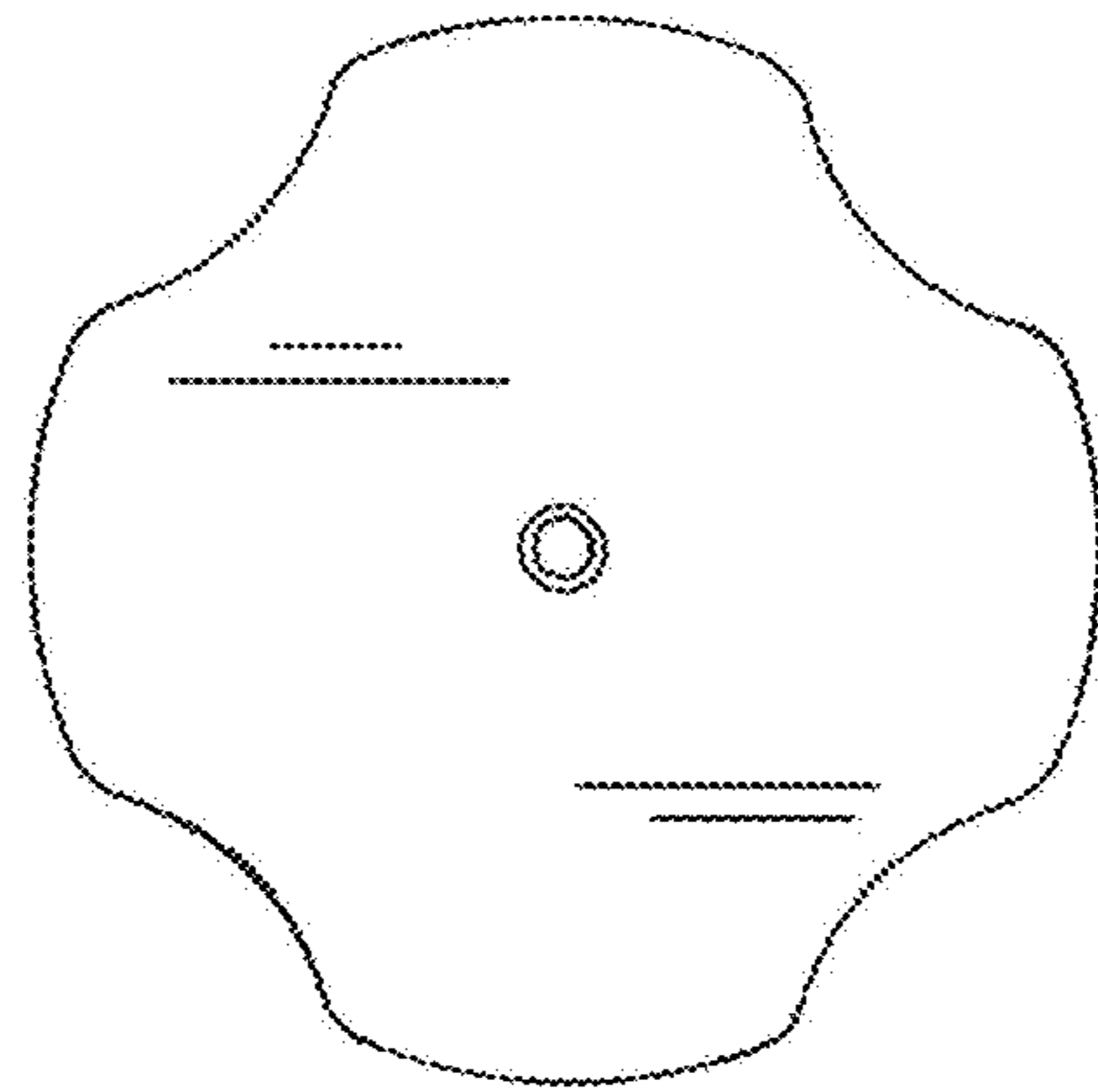


FIG.2

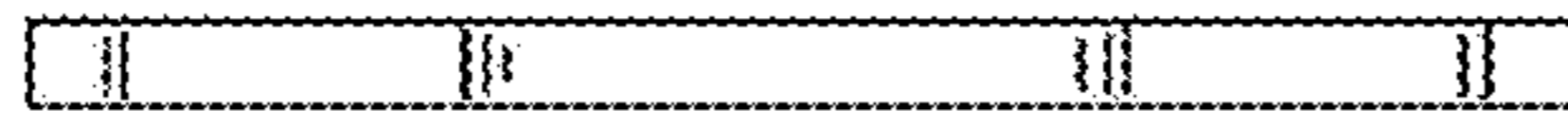


FIG.4

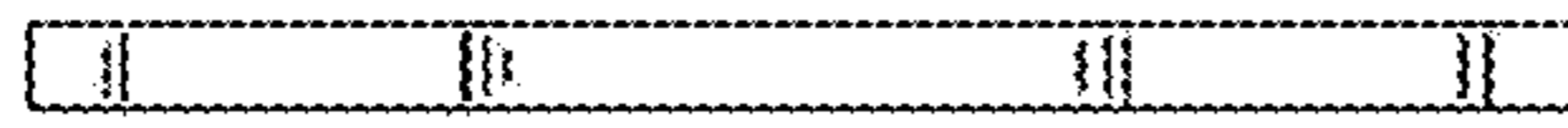


FIG.5

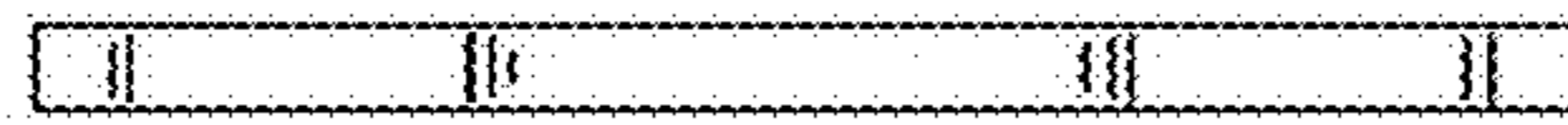


FIG. 6

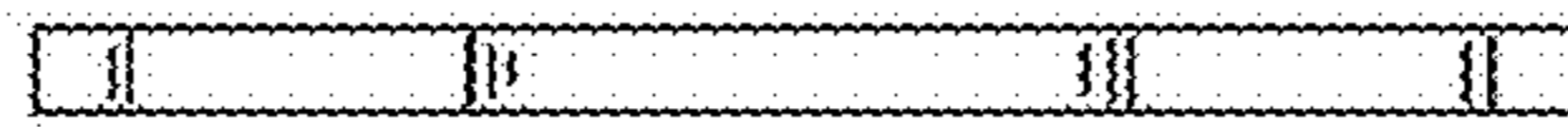


FIG. 7

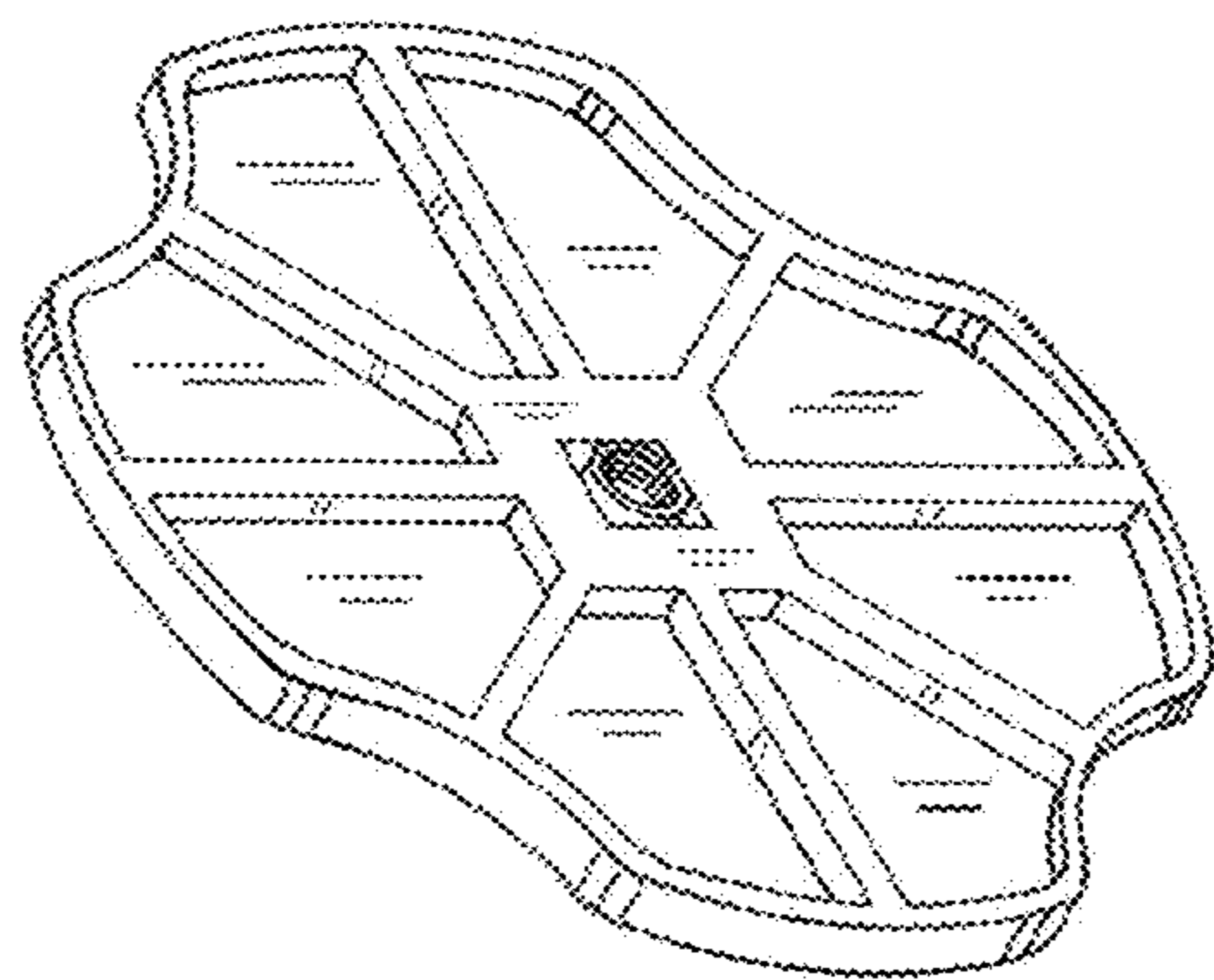


FIG.8

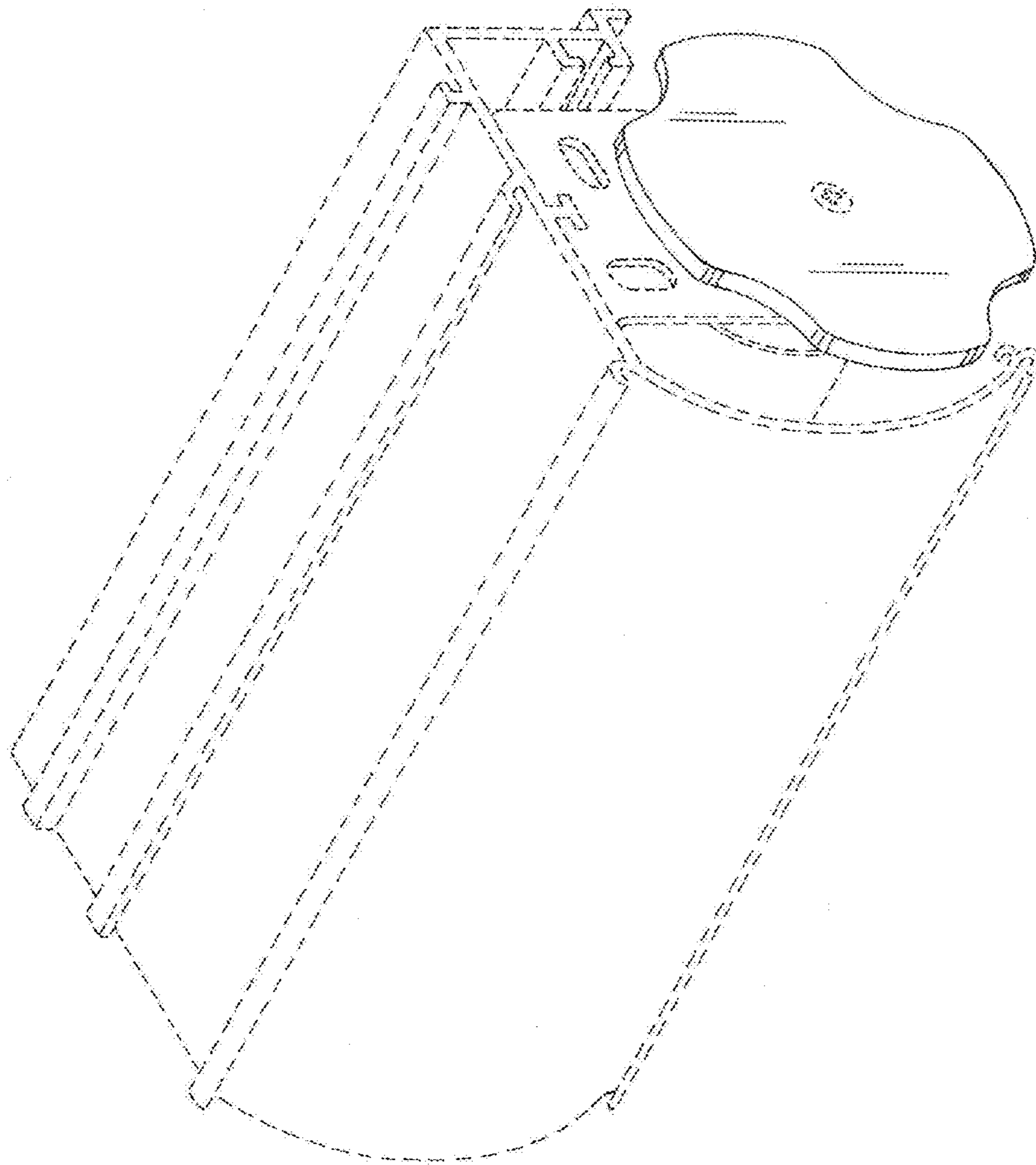


FIG.9