

US00D737595S

(12) **United States Design Patent**
Eilmus et al.

(10) **Patent No.:** **US D737,595 S**
(45) **Date of Patent:** **** Sep. 1, 2015**

(54) **SPONGE CADDY**

(71) Applicant: **Kohler Co.**, Kohler, WI (US)
(72) Inventors: **Niels J. Eilmus**, Sheboygan, WI (US);
Shawn J. Booth, Sheboygan, WI (US);
James S. Giefer, Sheboygan, WI (US)

(73) Assignee: **KOHLER CO.**, Kohler, WI (US)

(**) Term: **14 Years**

(21) Appl. No.: **29/441,396**

(22) Filed: **Jan. 4, 2013**

(51) **LOC (10) Cl.** **06-06**

(52) **U.S. Cl.**
USPC **D6/513**

(58) **Field of Classification Search**
USPC D6/512-514, 315, 323, 549, 545, 552,
D6/553, 567; D8/373, 349; 211/13.1, 16,
211/30, 34, 42, 70.1, 86.01, 105.1, 113

See application file for complete search history.

(56) **References Cited**

U.S. PATENT DOCUMENTS

| | | | | |
|--------------|---------|--------------|-------|--------|
| D340,622 S * | 10/1993 | Park et al. | | D6/513 |
| D365,233 S * | 12/1995 | Huculak | | D6/513 |
| D386,337 S * | 11/1997 | Zissu | | D6/513 |
| D494,050 S * | 8/2004 | Klein et al. | | D8/373 |
| D651,030 S * | 12/2011 | Heroux | | D6/513 |

* cited by examiner

Primary Examiner — Brian N Vinson

(74) *Attorney, Agent, or Firm* — Foley & Lardner LLP

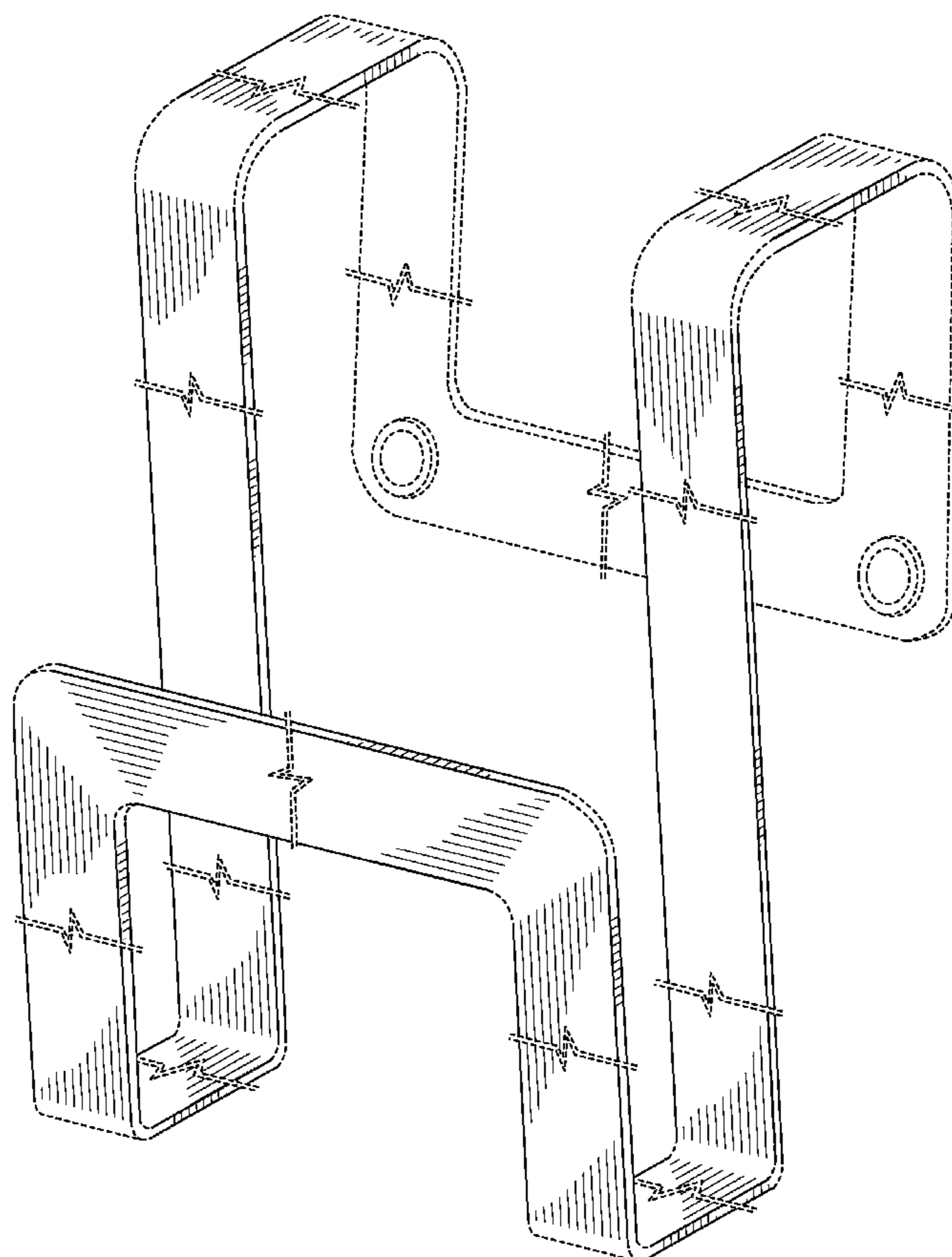
(57) **CLAIM**

The ornamental design for a sponge caddy, as shown and described.

DESCRIPTION

FIG. 1 is a perspective view of a sponge caddy showing our new design;
FIG. 2 is a front elevational view thereof;
FIG. 3 is a rear elevational view thereof;
FIG. 4 is a left side elevational view thereof;
FIG. 5 is a right side elevational view thereof;
FIG. 6 is a top plan view thereof; and,
FIG. 7 is a bottom plan view thereof.
The broken-lines represent portions of the caddy which form no part of the claimed design, and the areas between broken-away portions also form no part of the claimed design.

1 Claim, 6 Drawing Sheets



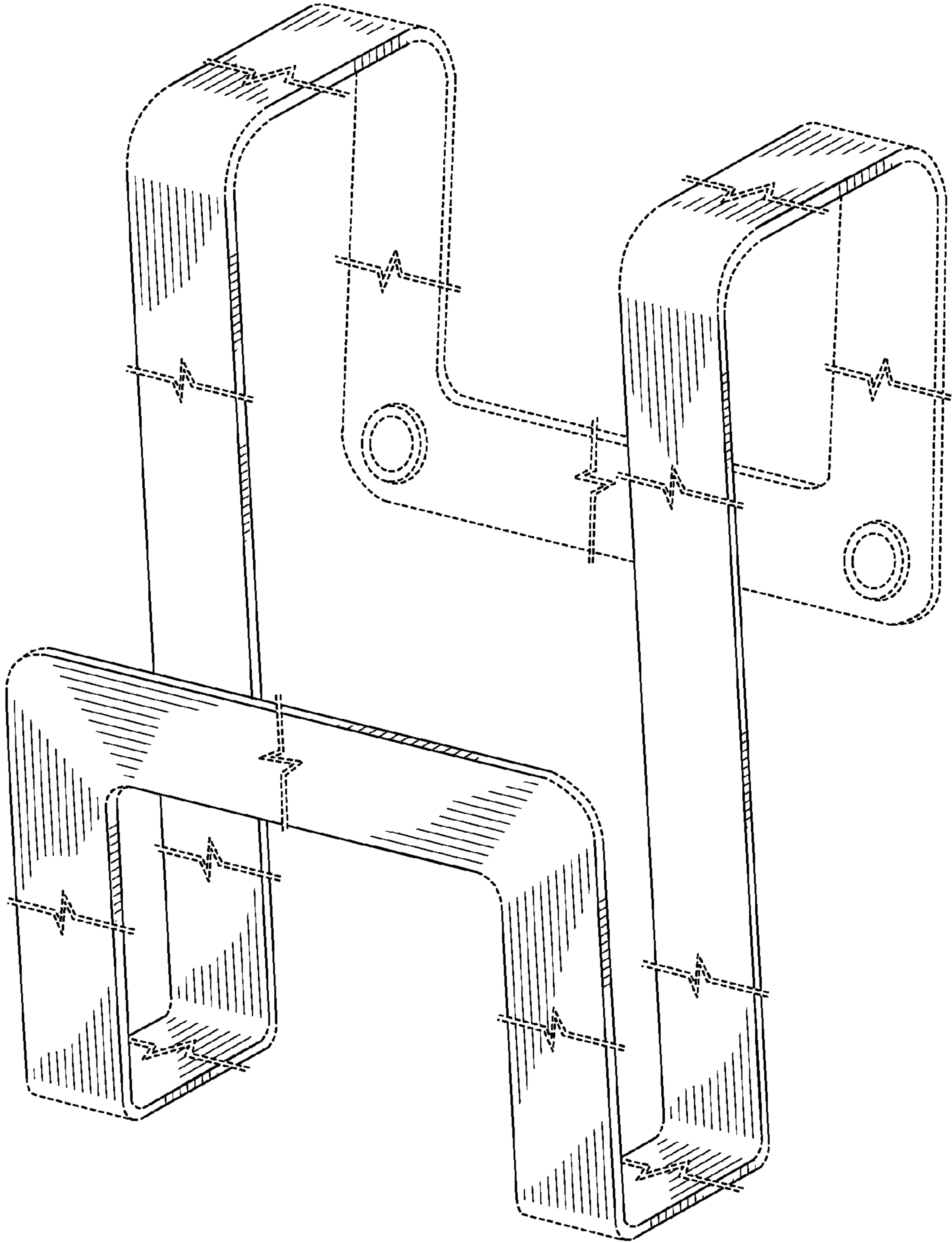


FIG. 1

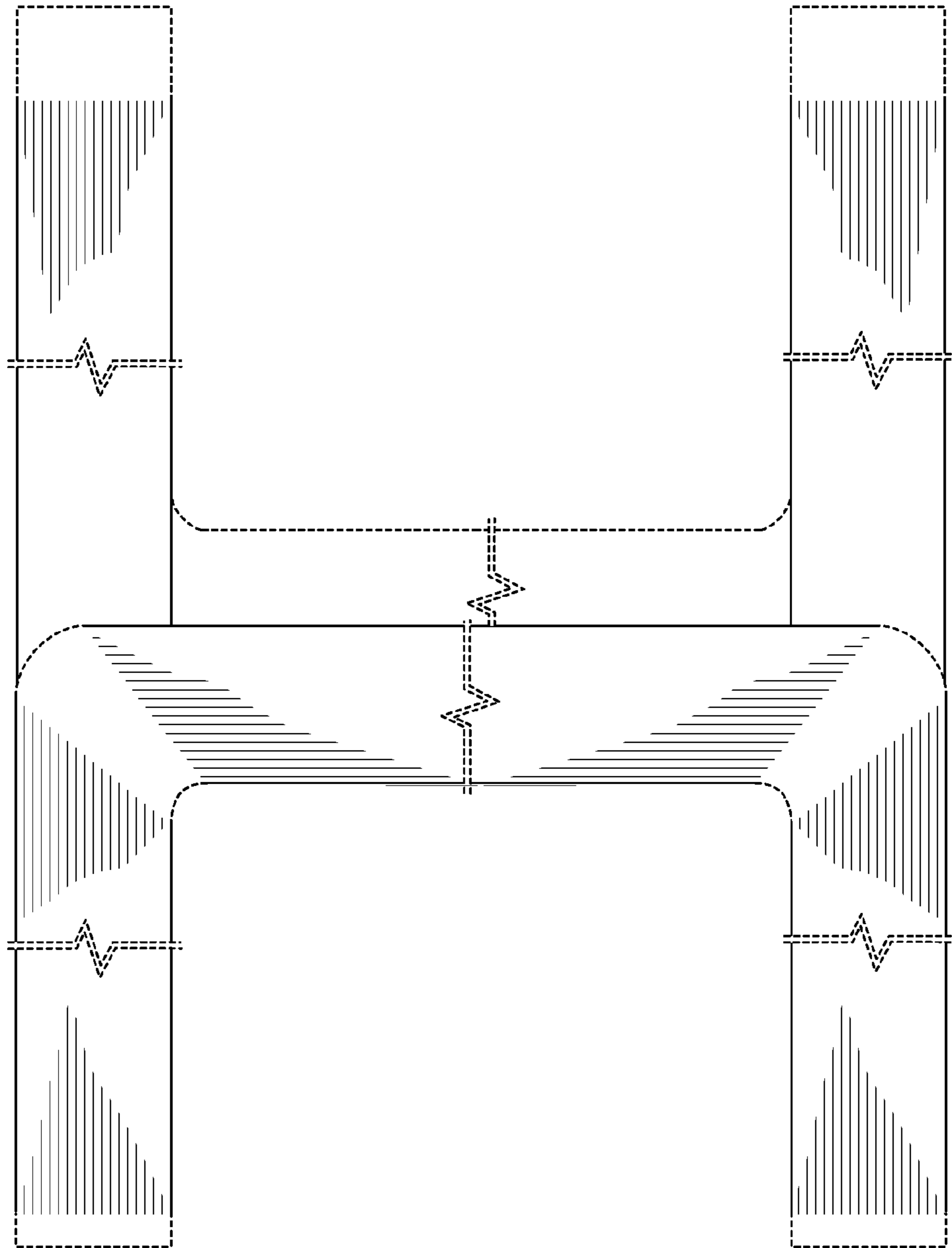


FIG. 2

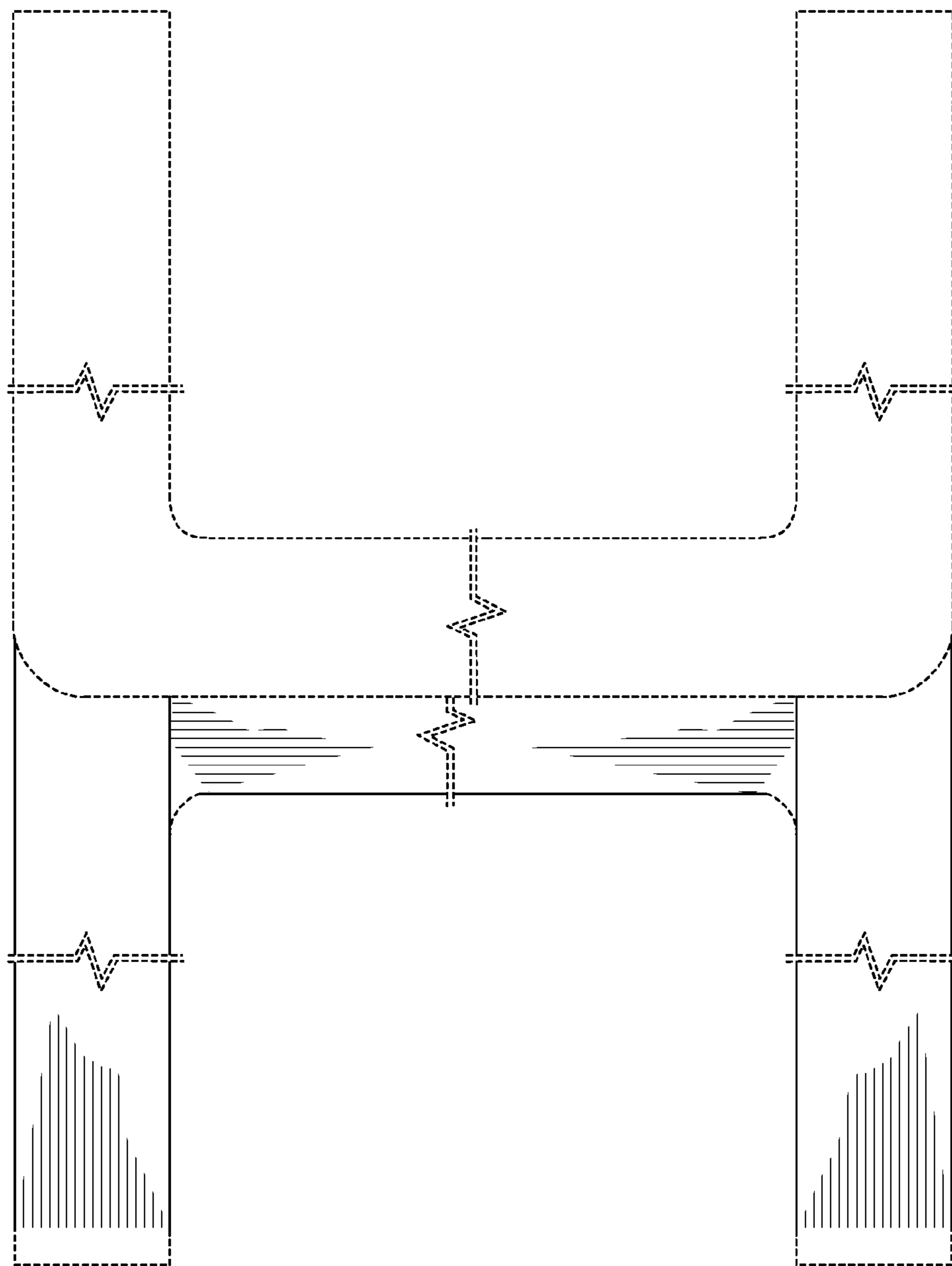


FIG. 3

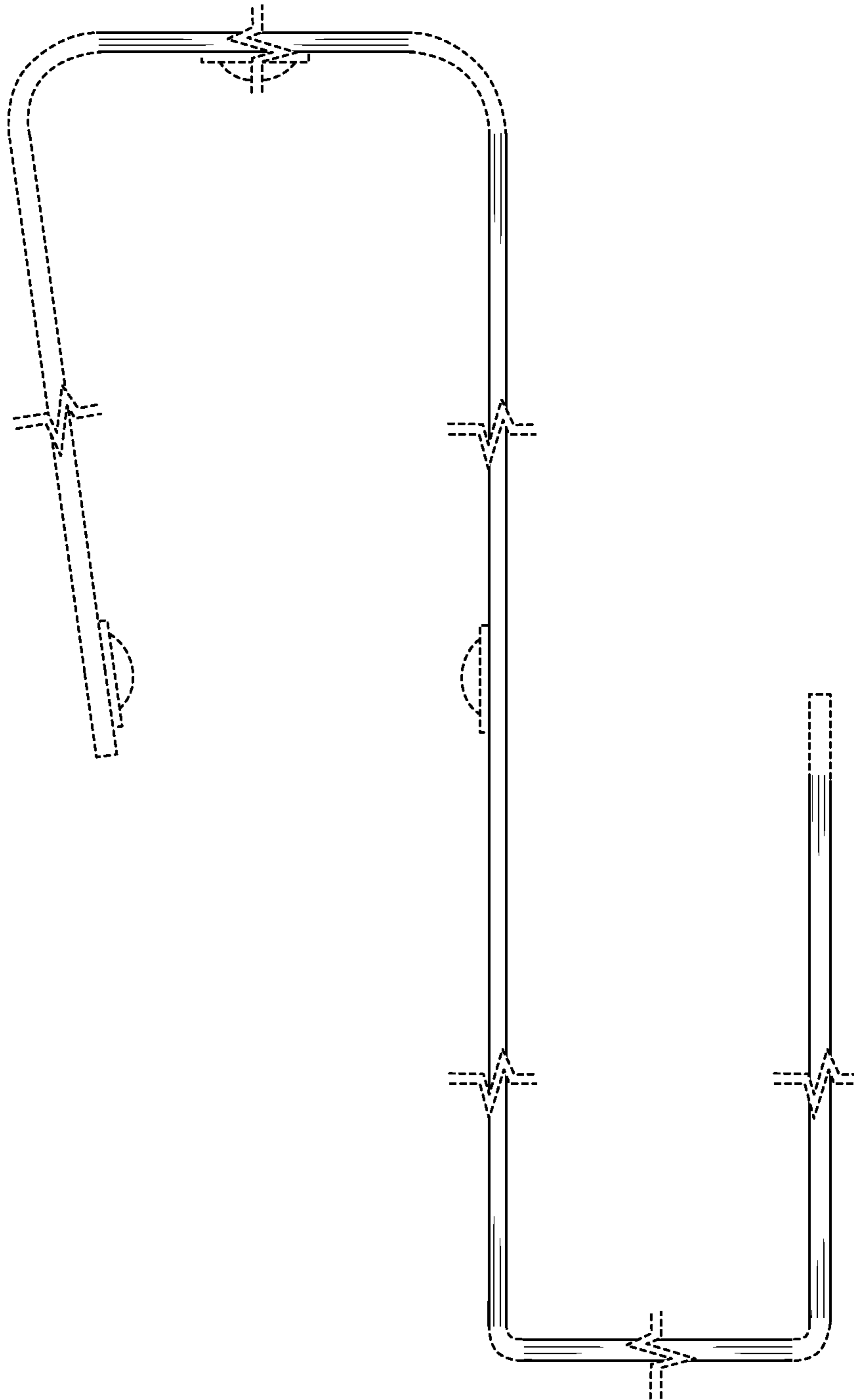


FIG. 4

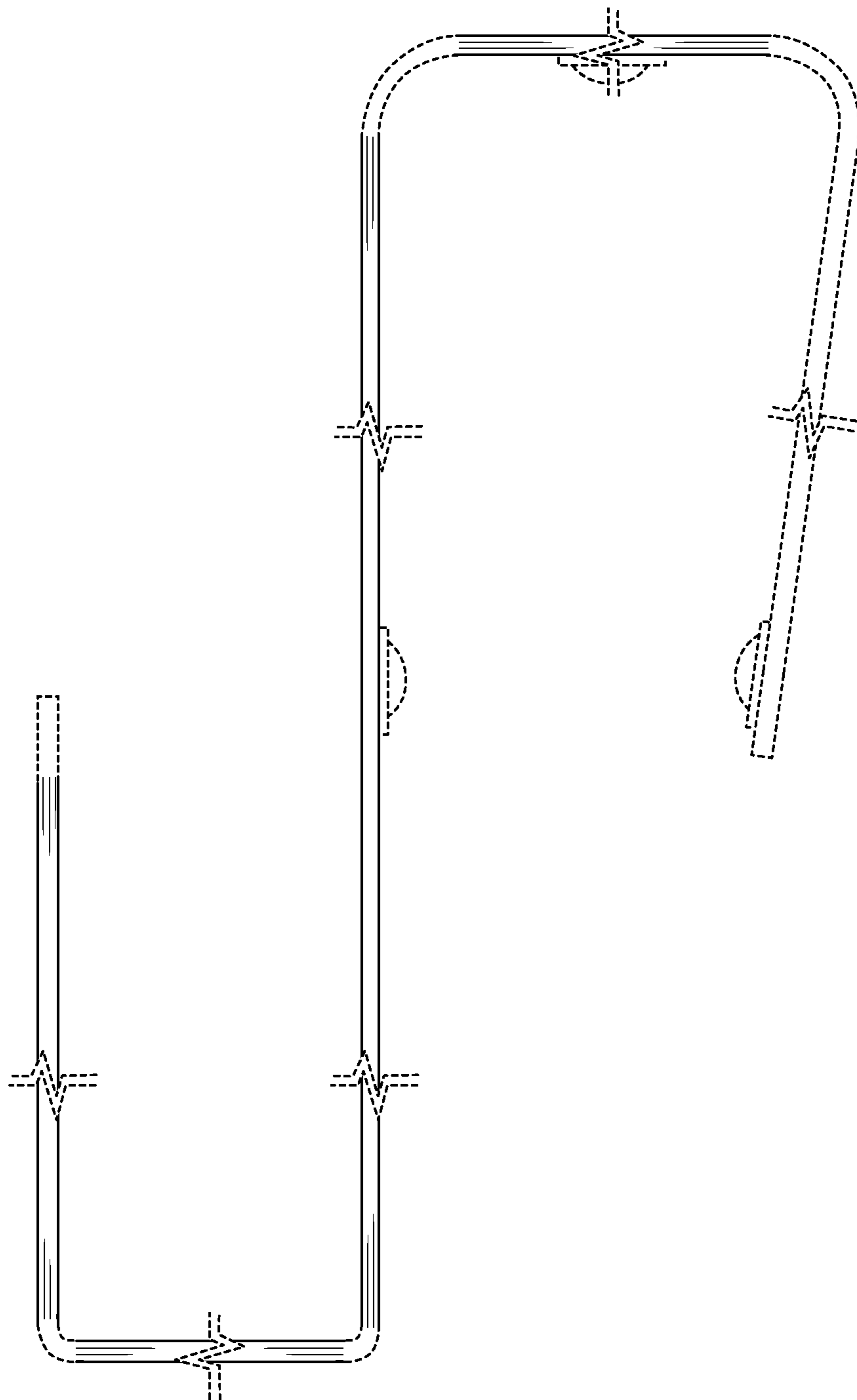


FIG. 5

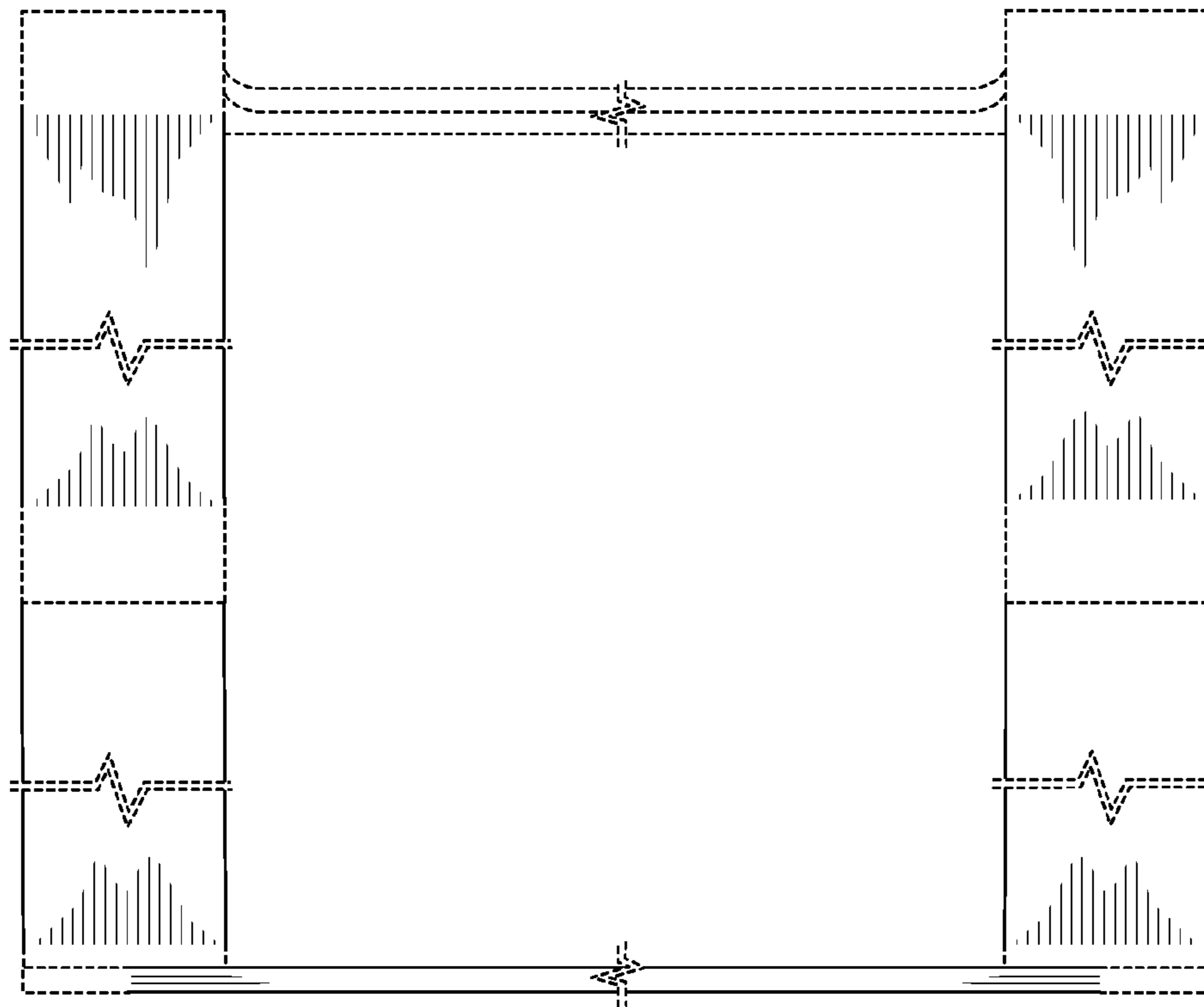


FIG. 6

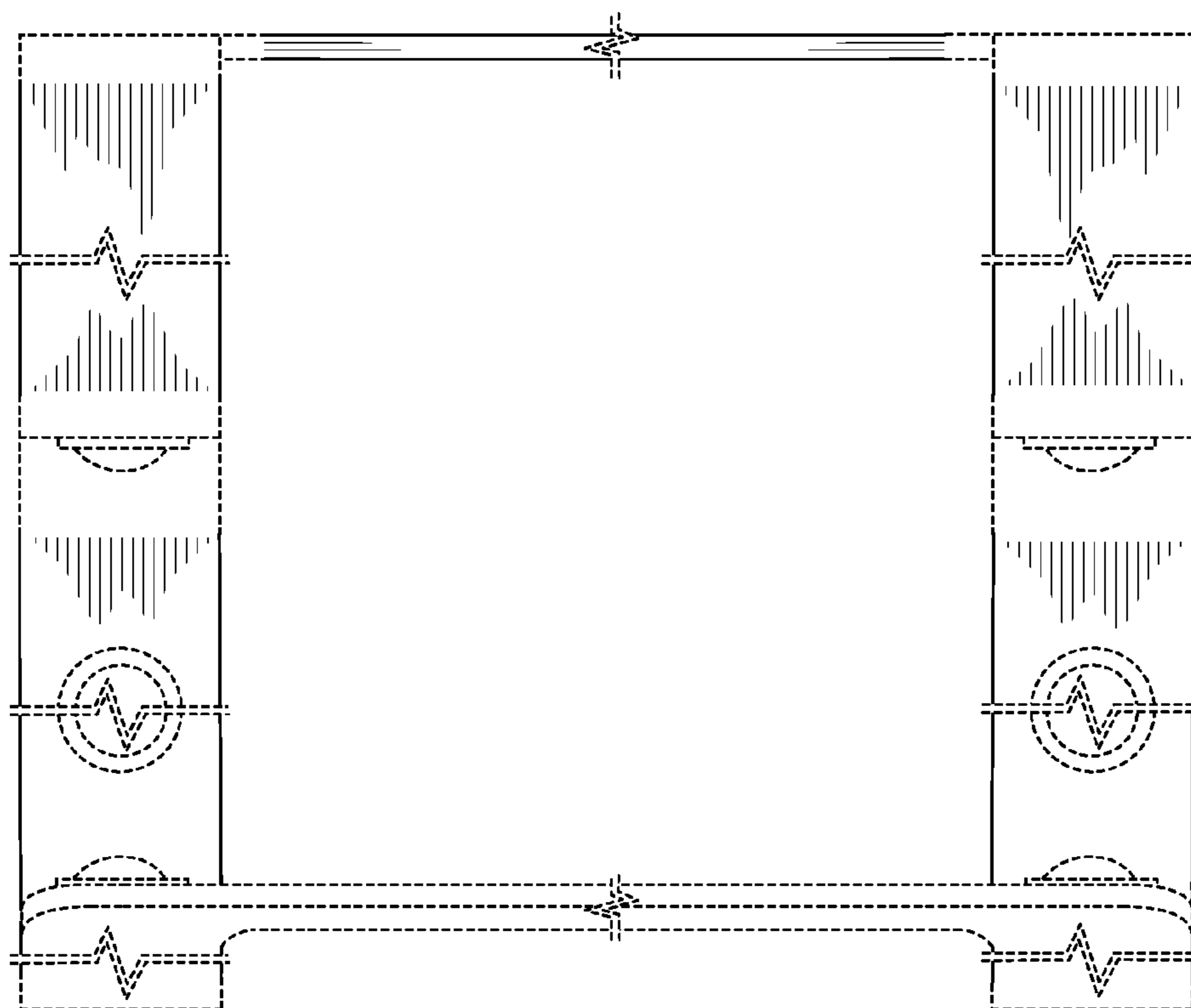


FIG. 7