



US00D737589S

(12) **United States Design Patent**
Lenhart

(10) **Patent No.:** **US D737,589 S**
(45) **Date of Patent:** **** Sep. 1, 2015**

(54) **LOUNGE FURNITURE**

(71) Applicant: **Krueger International, Inc.**, Green Bay, WI (US)

(72) Inventor: **Tad E. Lenhart**, De Pere, WI (US)

(73) Assignee: **Krueger International, Inc.**, Green Bay, WI (US)

(**) Term: **14 Years**

(21) Appl. No.: **29/523,256**

(22) Filed: **Apr. 8, 2015**

Related U.S. Application Data

(62) Division of application No. 29/454,648, filed on May 13, 2013, now Pat. No. Des. 731,804.

(51) **LOC (10) Cl.** **06-01**

(52) **U.S. Cl.**
USPC **D6/373**

(58) **Field of Classification Search**
USPC D6/334-336, 360-381, 388, 716,
D6/716.1-716.4, 717
CPC A47C 1/00; A47C 31/113; A47C 4/02;
A47C 4/022; A47C 4/03; A47C 4/04; A47C
5/005; A47C 7/021; A47C 7/18; A47C
13/005

See application file for complete search history.

(56) **References Cited**

U.S. PATENT DOCUMENTS

D132,793 S * 6/1942 Reiss D6/364
2,940,513 A * 6/1960 Holden 297/440.12
4,092,049 A * 5/1978 Schoblom 297/440.23
D248,802 S * 8/1978 Iselin D6/364
D272,968 S * 3/1984 Fairaizen D6/381
D273,156 S * 3/1984 Dubbin et al. D6/334
D273,254 S * 4/1984 Fairaizen D6/335
D275,243 S * 8/1984 Tiffany, III D6/364

D275,342 S * 9/1984 Fister, Jr. D6/364
D284,142 S * 6/1986 Raftery D6/334
D286,586 S * 11/1986 Radford D6/334
D289,466 S * 4/1987 Leib D6/335
D289,831 S 5/1987 Leib
D318,183 S 7/1991 Fister, Jr.
D364,749 S * 12/1995 McKnight D6/375
D439,071 S 3/2001 D'Urso et al.
D473,723 S 4/2003 Pesso
6,824,220 B1 * 11/2004 Davison 297/440.14
D510,486 S * 10/2005 Karl D6/334
D518,301 S * 4/2006 Ng et al. D6/335
D532,984 S 12/2006 Bennett
D538,054 S 3/2007 Lissoni
D544,233 S 6/2007 Hutton
7,287,816 B1 * 10/2007 Karl 297/452.17
D564,774 S 3/2008 Woods et al.
D566,980 S * 4/2008 Mourgue D6/381
D577,211 S * 9/2008 Natuzzi D6/334
D590,179 S 4/2009 Natuzzi
D600,938 S 9/2009 Natuzzi
D602,274 S * 10/2009 Peng D6/369

(Continued)

Primary Examiner — Ricky Pham

(74) *Attorney, Agent, or Firm* — Andrus Intellectual Property Law, LLP

(57) **CLAIM**

The ornamental design for lounge furniture, as shown and described.

DESCRIPTION

FIG. 1 is an isometric view of lounge furniture incorporating my new design;

FIG. 2 is a front elevation view thereof;

FIG. 3 is a right side elevation view thereof;

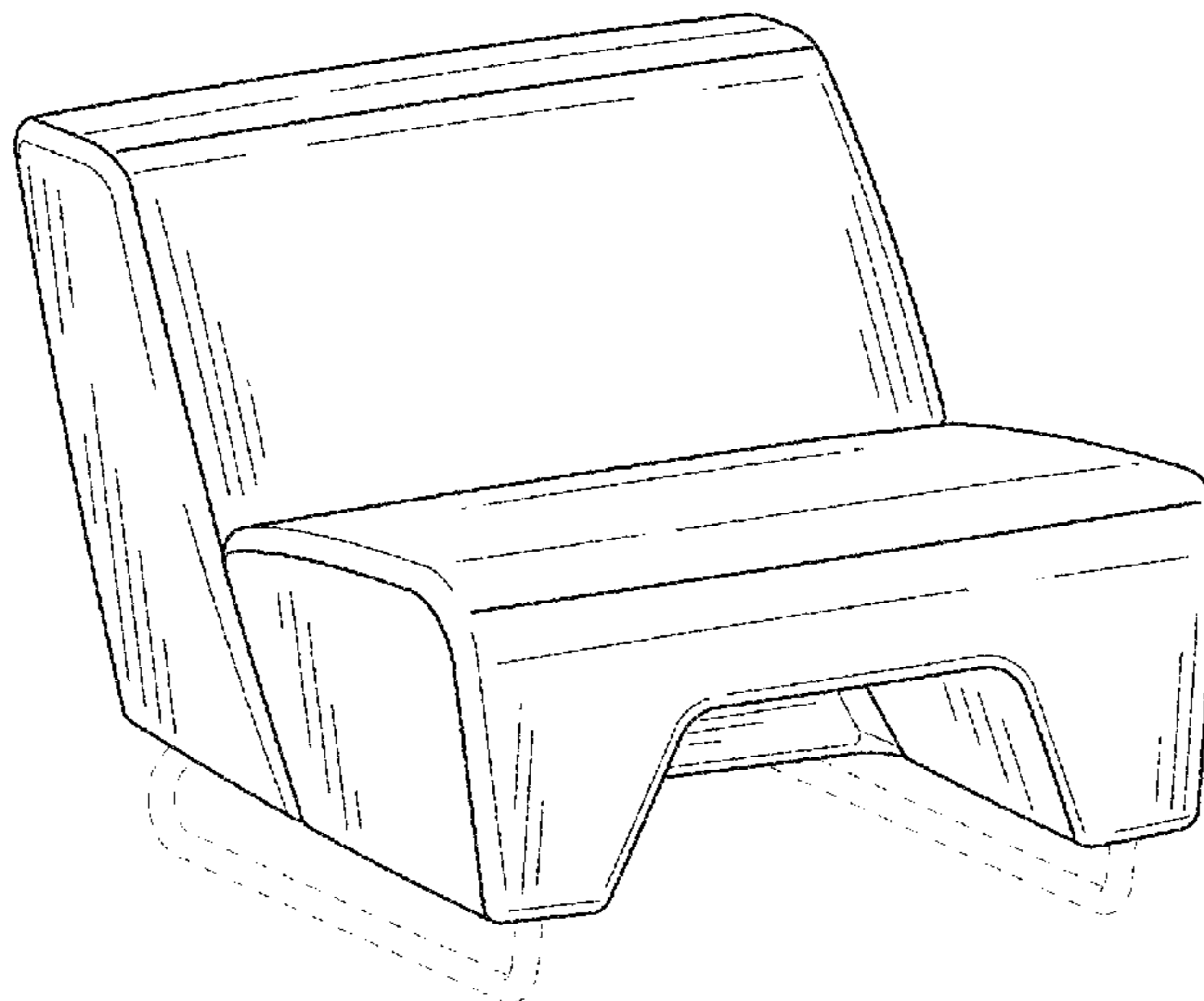
FIG. 4 is a rear elevation view thereof;

FIG. 5 is a top plan view thereof; and,

FIG. 6 is a bottom plan view thereof.

The portions shown in phantom illustrate environment only and form no part of the claimed design.

1 Claim, 3 Drawing Sheets



(56)

References Cited

U.S. PATENT DOCUMENTS

D604,956 S 12/2009 Blomstrom et al.
D621,628 S * 8/2010 Saul D6/335
D639,083 S * 6/2011 Martin D6/381
D646,072 S * 10/2011 Katina D6/374

D666,842 S * 9/2012 Cramer et al. D6/379
D674,210 S 1/2013 Citterio
D677,911 S 3/2013 Hamilton et al.
D682,572 S 5/2013 Digirolamo
D725,396 S * 3/2015 Lee D6/371
D731,804 S * 6/2015 Lenhart D6/373

* cited by examiner

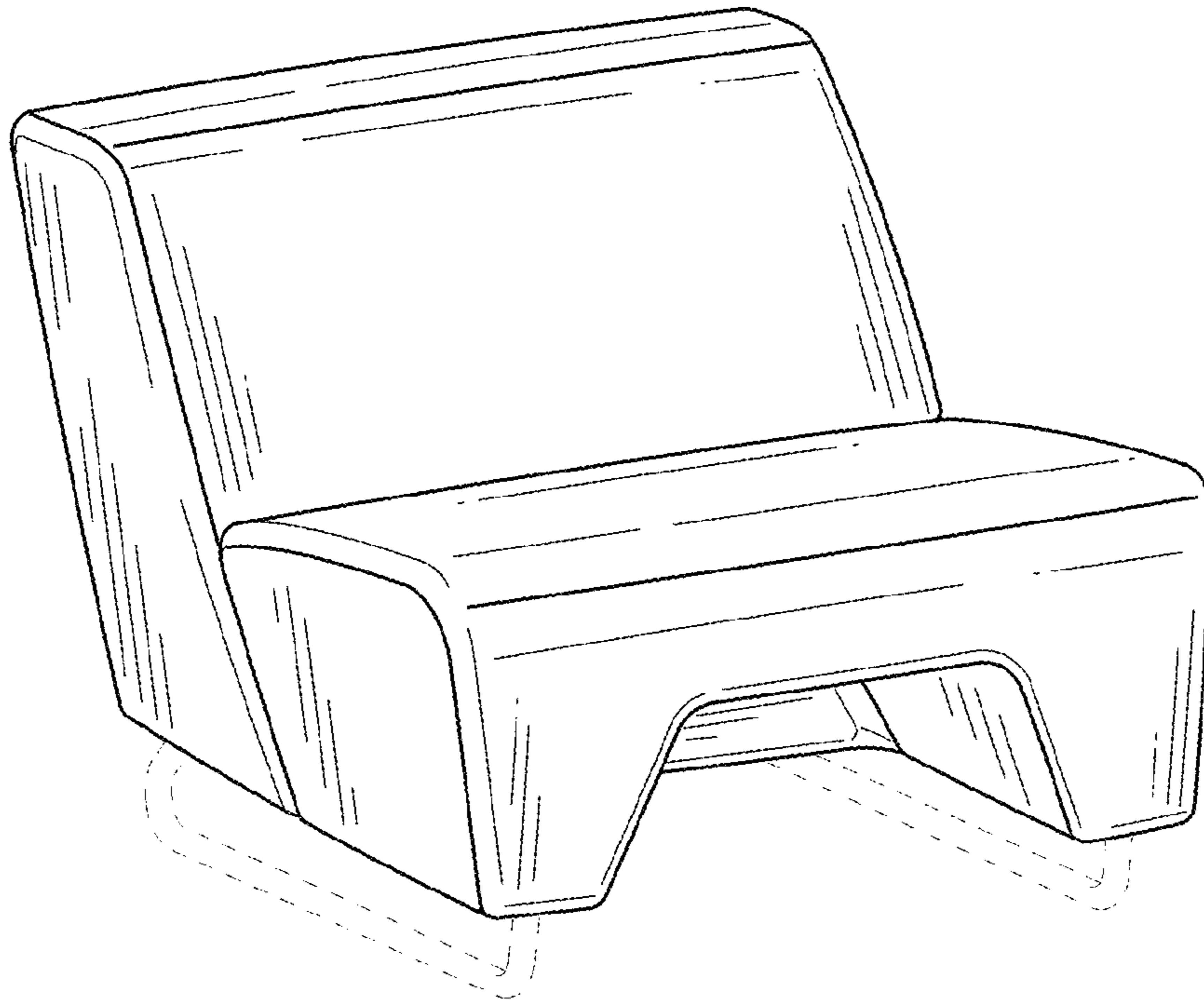


FIG. 1

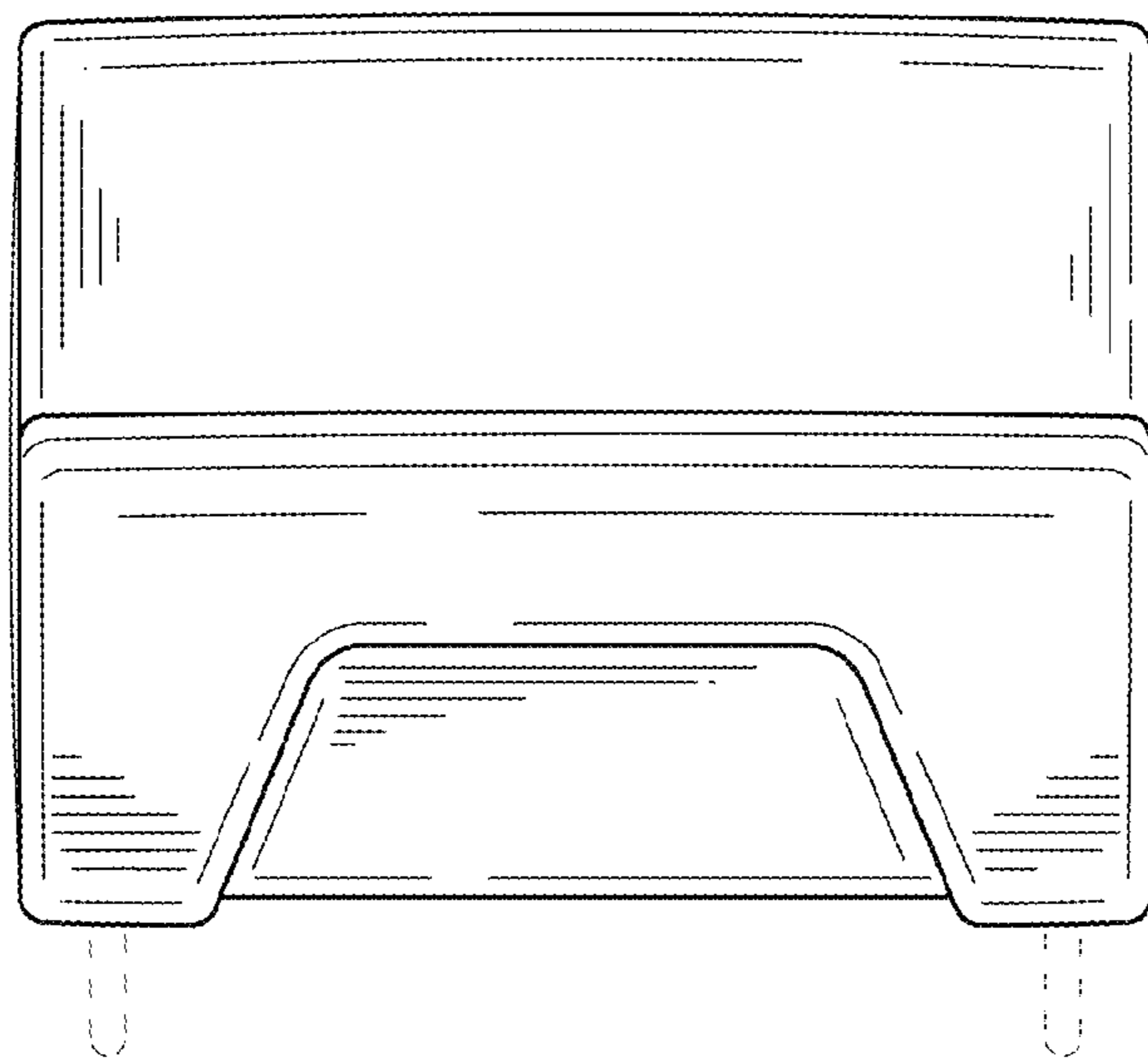


FIG. 2

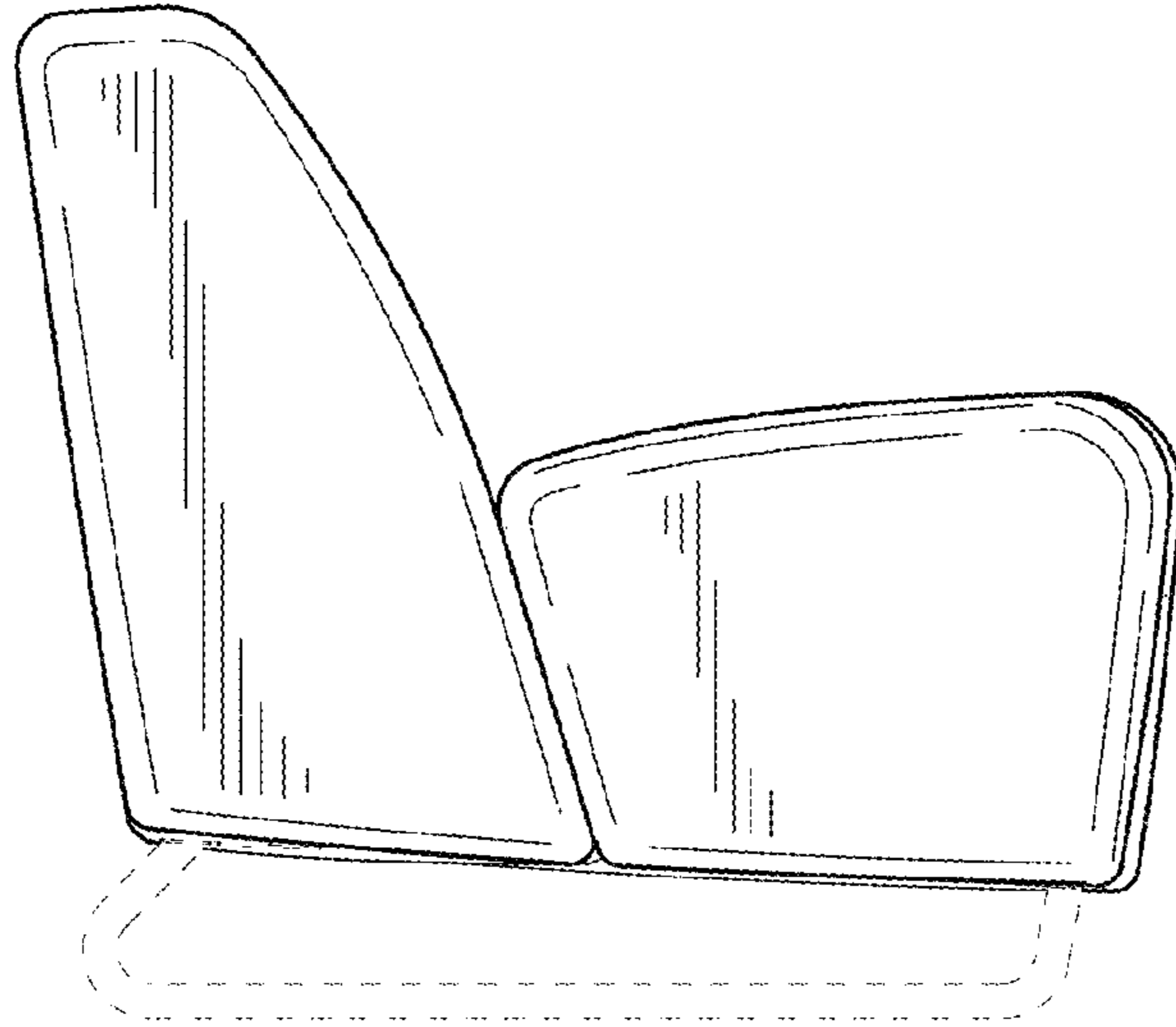


FIG. 3

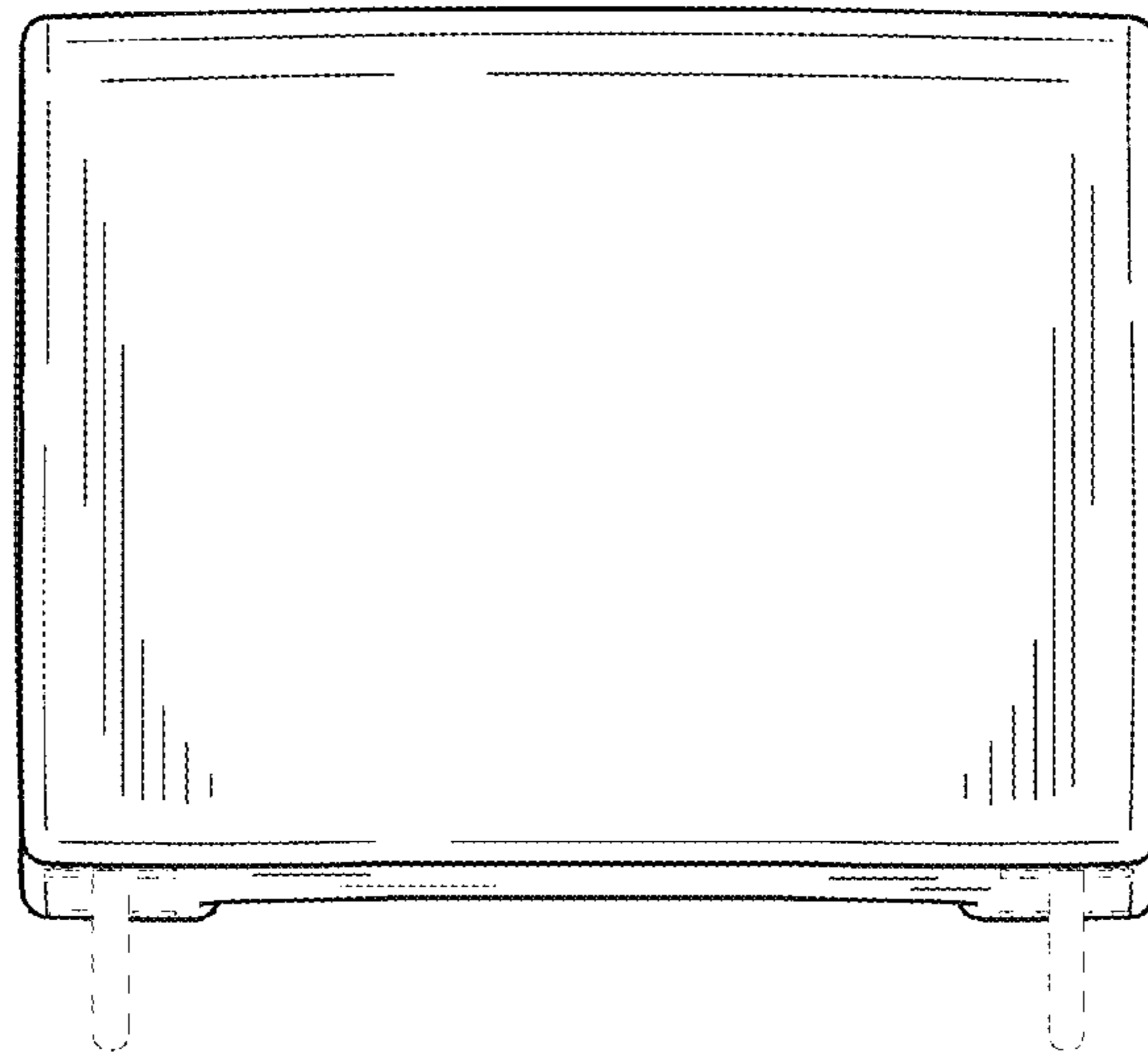


FIG. 4

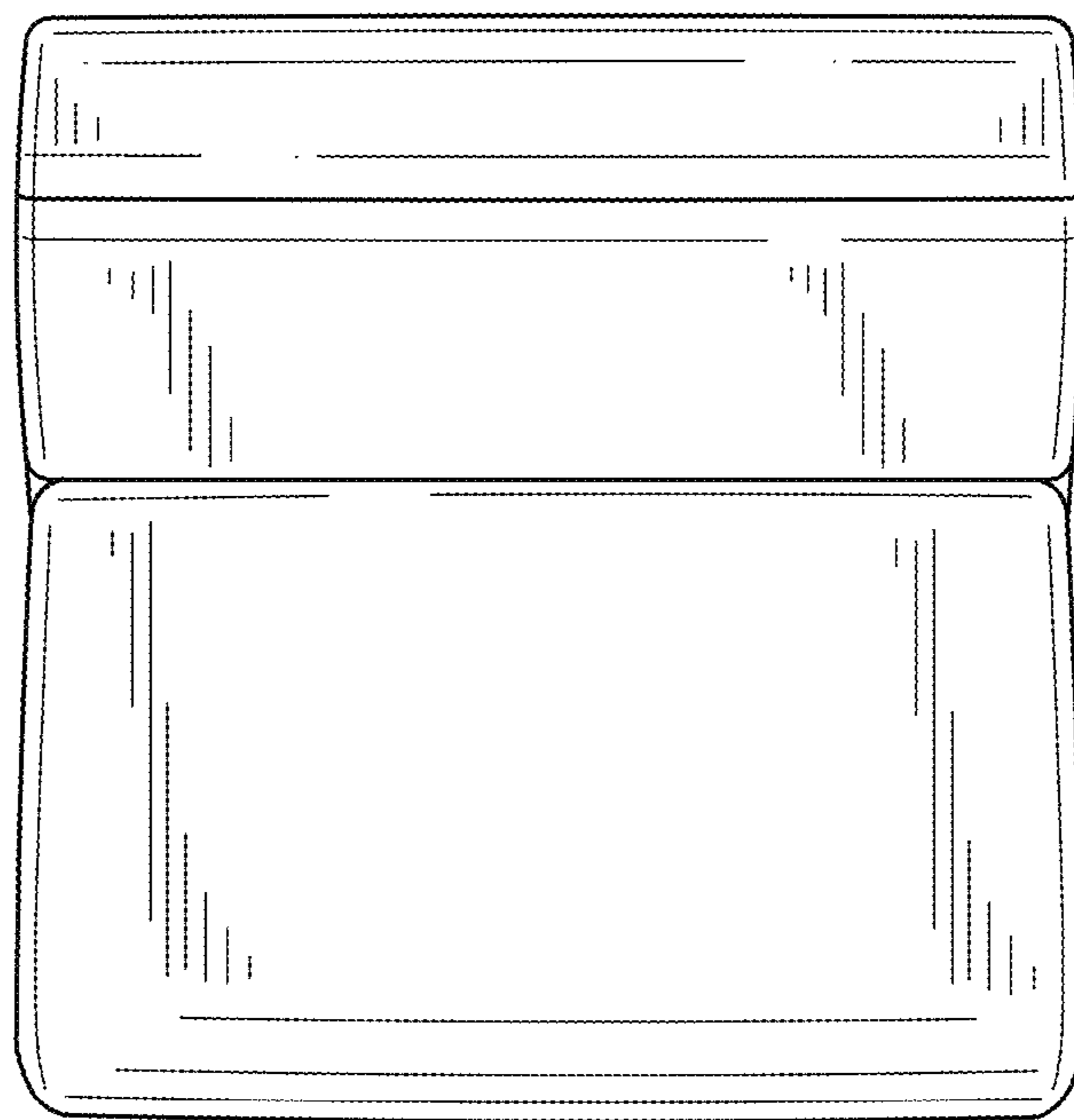


FIG. 5

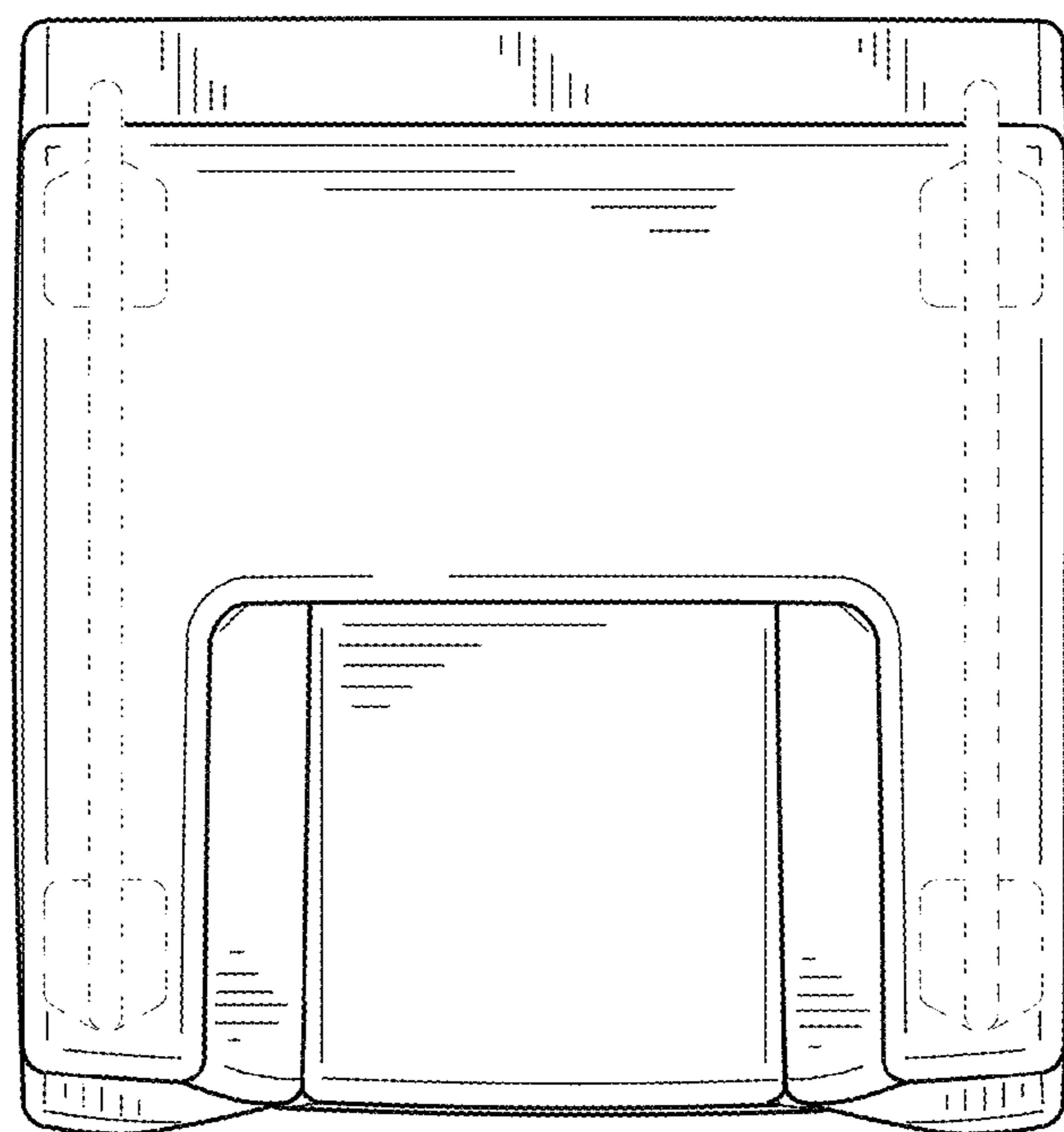


FIG. 6