



US00D737588S

(12) **United States Design Patent**
Lenhart

(10) **Patent No.:** **US D737,588 S**
(45) **Date of Patent:** **** Sep. 1, 2015**

(54) **LOUNGE FURNITURE**

(71) Applicant: **Krueger International, Inc.**, Green Bay, WI (US)

(72) Inventor: **Tad E. Lenhart**, De Pere, WI (US)

(73) Assignee: **Krueger International, Inc.**, Green Bay, WI (US)

(**) Term: **14 Years**

(21) Appl. No.: **29/523,254**

(22) Filed: **Apr. 8, 2015**

Related U.S. Application Data

(62) Division of application No. 29/454,648, filed on May 13, 2013, now Pat. No. Des. 731,804.

(51) **LOC (10) Cl.** **06-01**

(52) **U.S. Cl.**
USPC **D6/373**

(58) **Field of Classification Search**
USPC D6/334–336, 360–381, 388, 716, D6/716.1–716.4, 717
CPC A47C 1/00; A47C 4/02; A47C 4/03; A47C 4/04; A47C 7/021; A47C 7/18; A47C 13/005
See application file for complete search history.

(56) **References Cited**

U.S. PATENT DOCUMENTS

D248,802 S	8/1978	Iselin	
D289,831 S *	5/1987	Leib	D6/334
D318,183 S	7/1991	Fister, Jr.	
D439,071 S	3/2001	D’Urso et al.	
D473,723 S	4/2003	Pesso	
D482,535 S *	11/2003	Williams et al.	D6/334
D484,713 S *	1/2004	Gomez	D6/381
D490,630 S *	6/2004	Pesso	D6/717

6,824,220 B1 *	11/2004	Davison	297/440.14
D510,486 S	10/2005	Karl	
D518,301 S	4/2006	Ng et al.	
D521,765 S *	5/2006	Natuzzi	D6/381
D532,984 S	12/2006	Bernett	
D534,007 S *	12/2006	Nicoletti	D6/381
D538,054 S	3/2007	Lissoni	
D544,233 S *	6/2007	Hutton	D6/378
D564,774 S	3/2008	Woods et al.	
D590,179 S	4/2009	Natuzzi	
D600,938 S	9/2009	Natuzzi	
D604,956 S	12/2009	Blomstrom et al.	
D645,667 S *	9/2011	Alberda et al.	D6/334
D646,072 S	10/2011	Katina	
D662,337 S *	6/2012	Arko et al.	D6/717
D666,842 S	9/2012	Cramer et al.	
D674,210 S	1/2013	Citterio	
D677,911 S	3/2013	Hamilton et al.	
D682,572 S	5/2013	Digirolamo	

(Continued)

Primary Examiner — Ricky Pham

(74) *Attorney, Agent, or Firm* — Andrus Intellectual Property Law, LLP

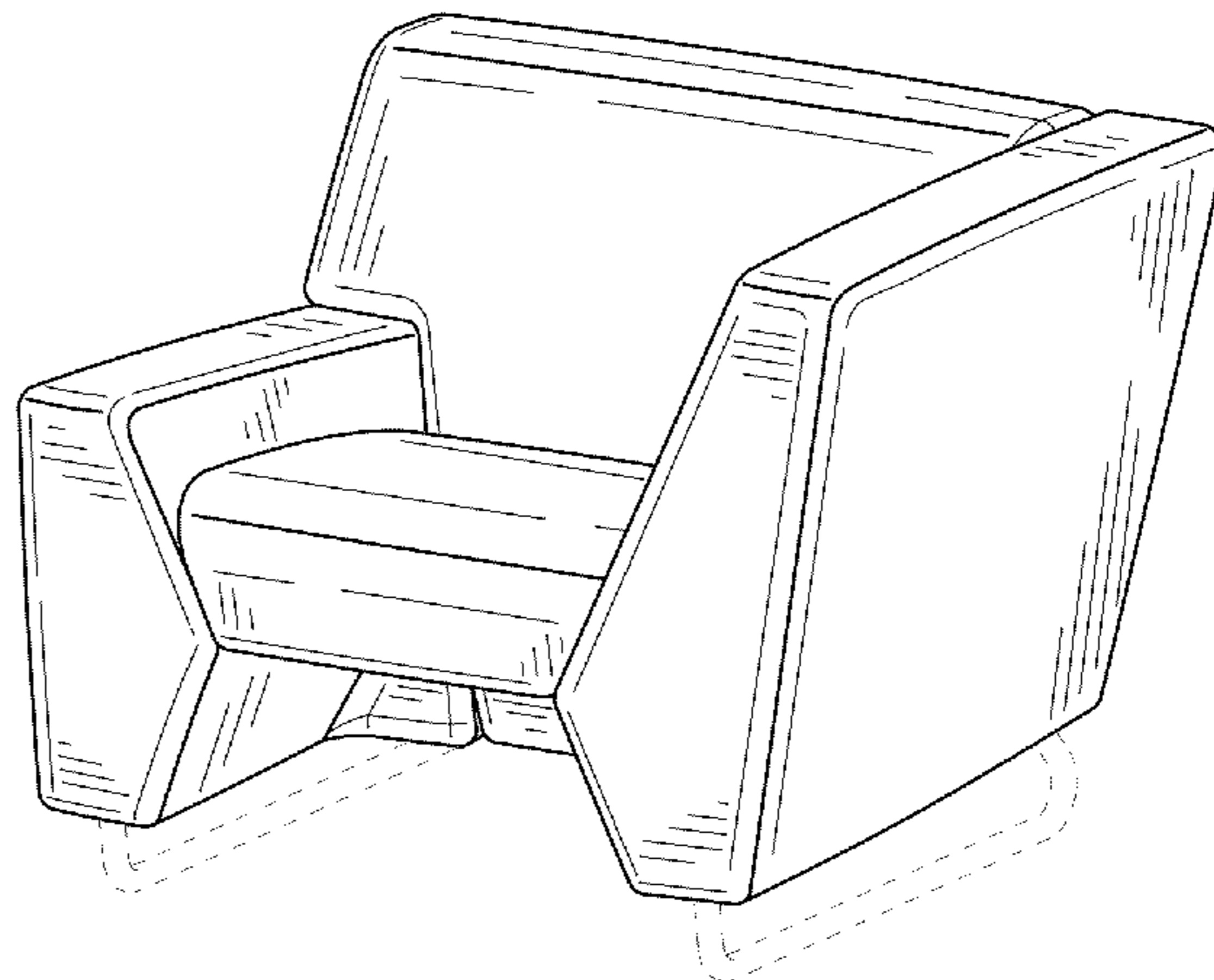
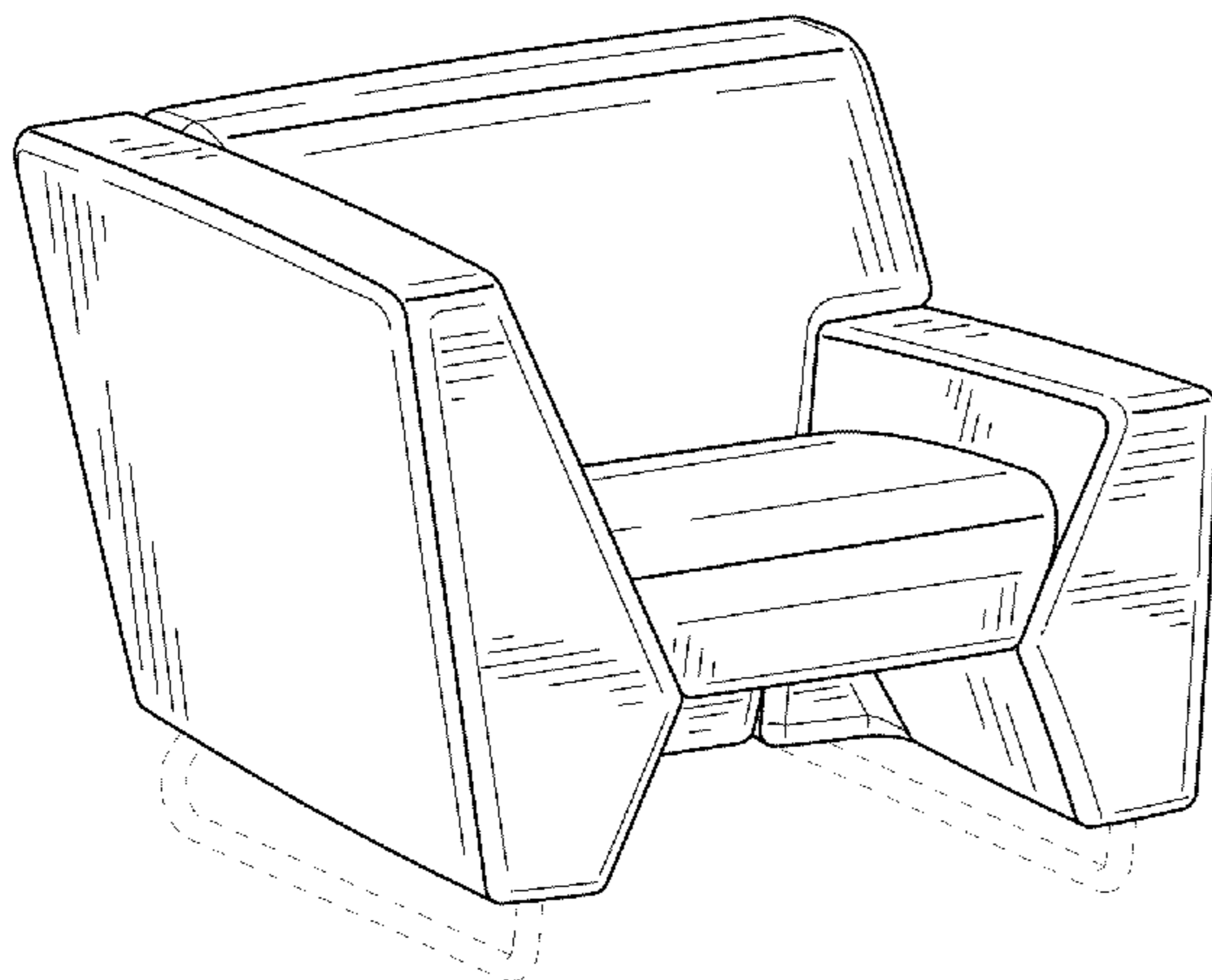
(57) **CLAIM**

The ornamental design for lounge furniture, as shown and described.

DESCRIPTION

FIG. 1 is an isometric view of lounge furniture incorporating my new design;
FIG. 2 is a front elevation view thereof;
FIG. 3 a right side elevation view thereof;
FIG. 4 is a left side elevation view thereof;
FIG. 5 is a rear elevation view thereof;
FIG. 6 is a top plan view thereof;
FIG. 7 a bottom plan view thereof; and,
FIG. 8 is an isometric view of the lounge furniture constructed as a mirror image of the embodiment shown in FIG. 1.
The portions shown in phantom illustrate environment only and form no part of the claimed design.

1 Claim, 5 Drawing Sheets



(56)

References Cited

D708,451 S * 7/2014 Gashey et al. D6/378
D731,804 S * 6/2015 Lenhart D6/373

U.S. PATENT DOCUMENTS

D689,725 S * 9/2013 Hamilton et al. D6/716.1 * cited by examiner

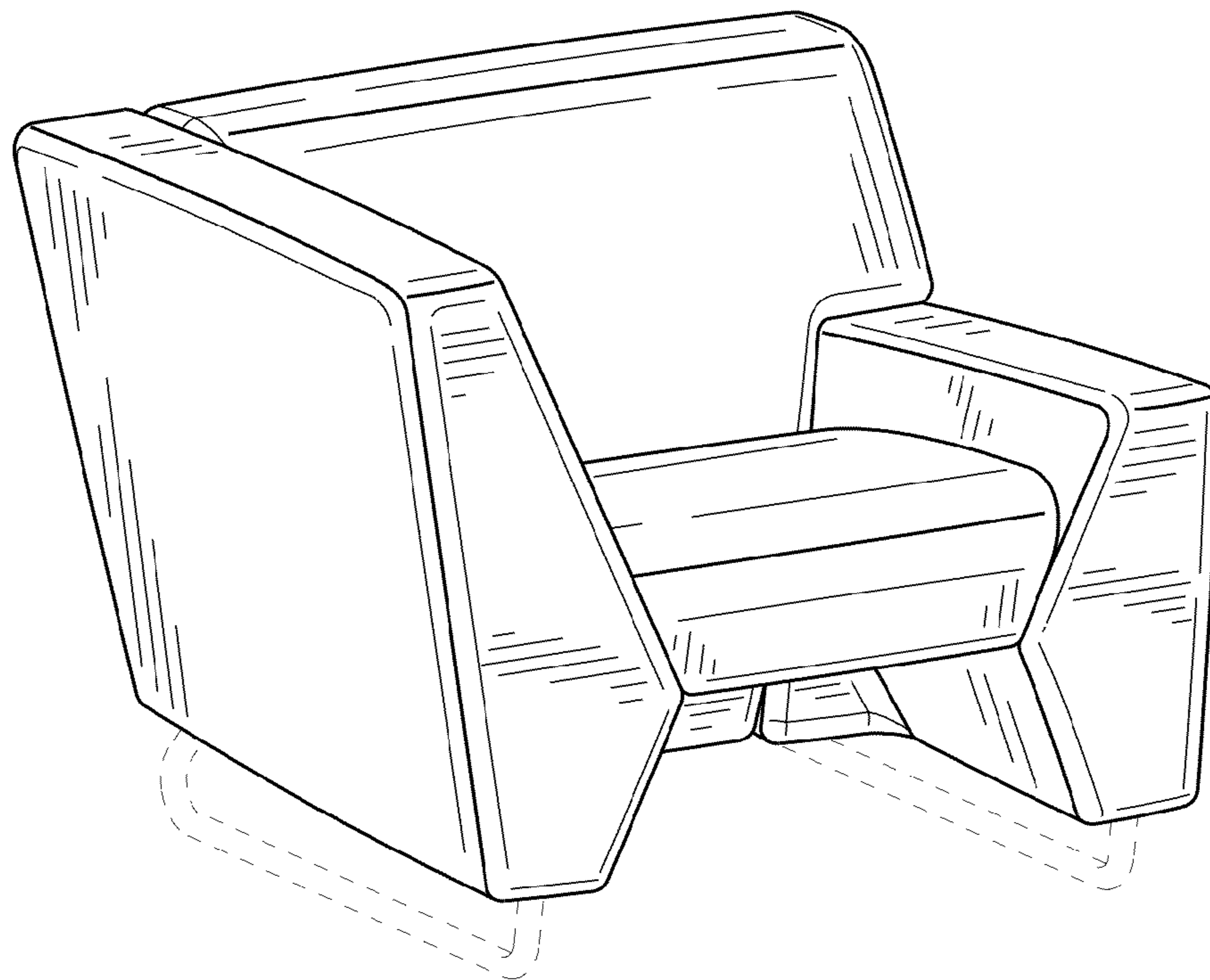


FIG. 1

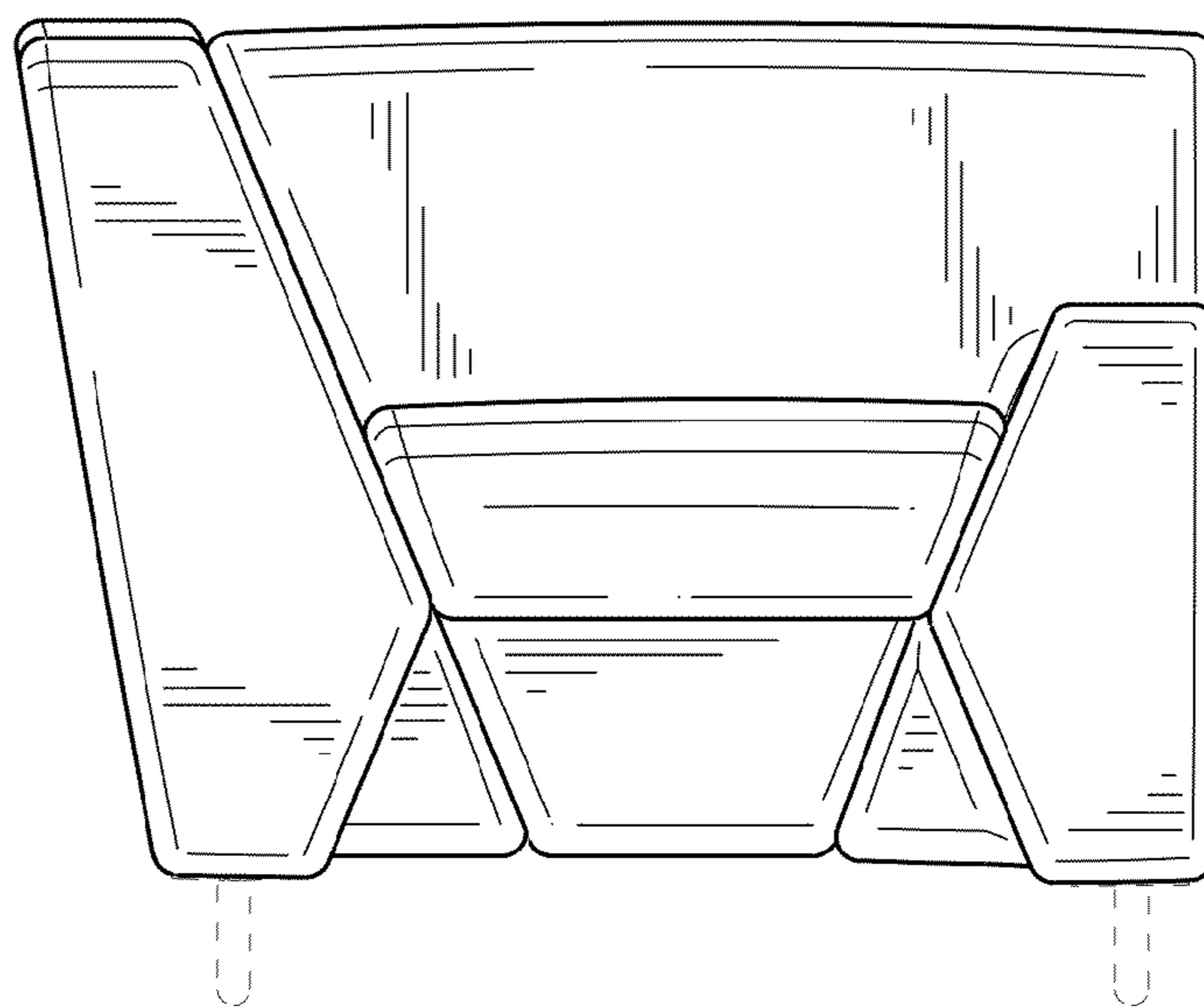


FIG. 2

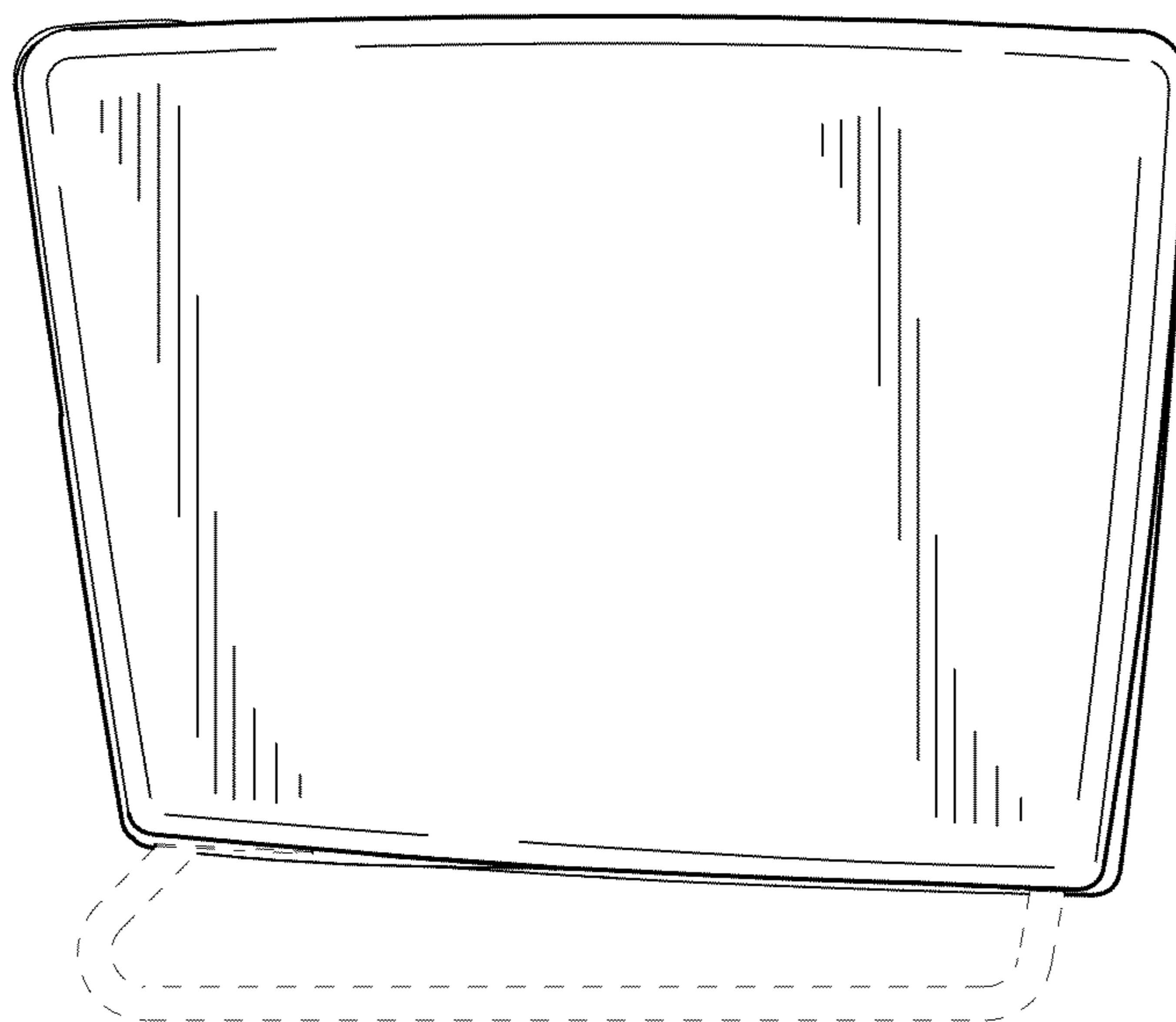


FIG. 3

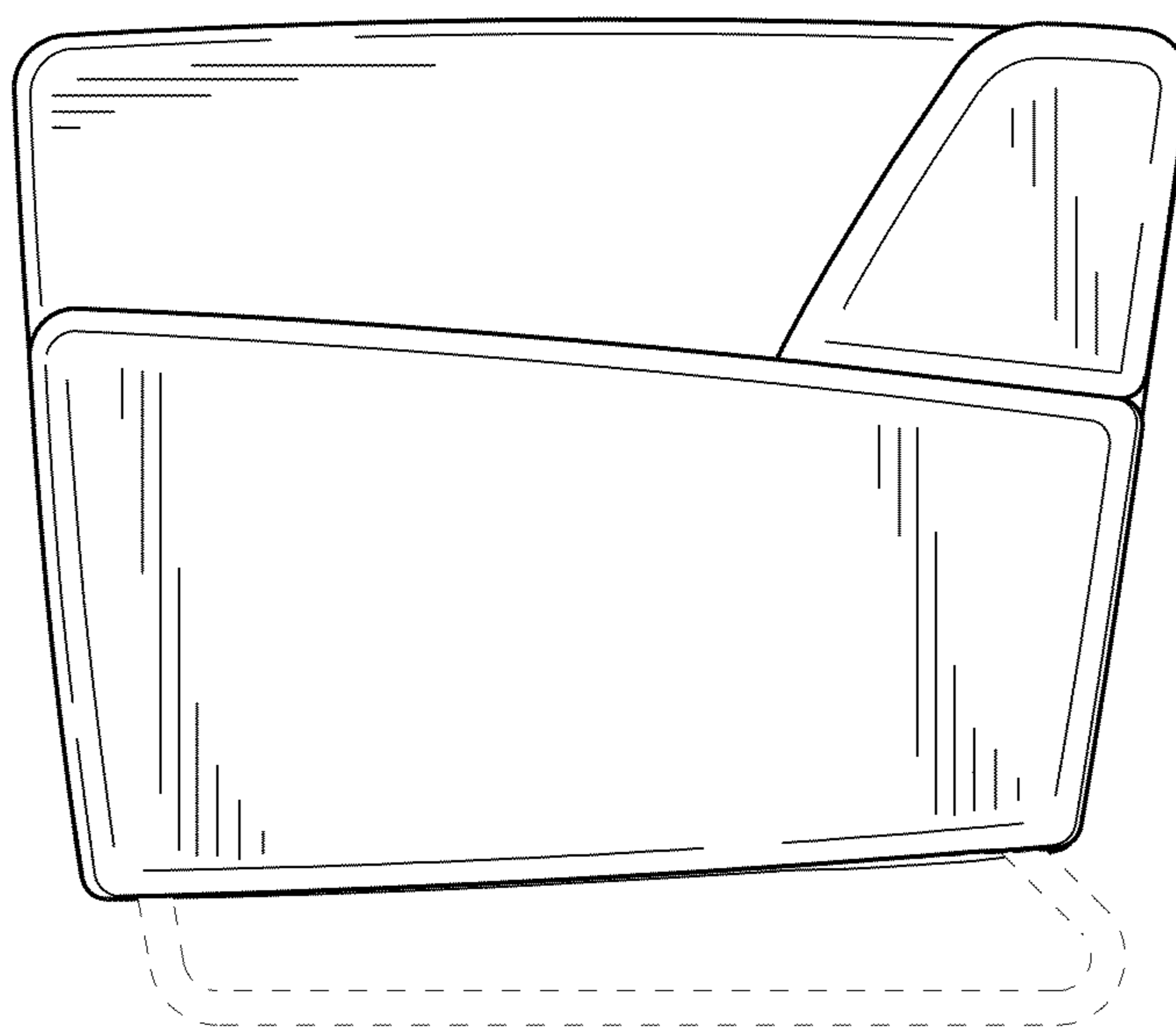


FIG. 4

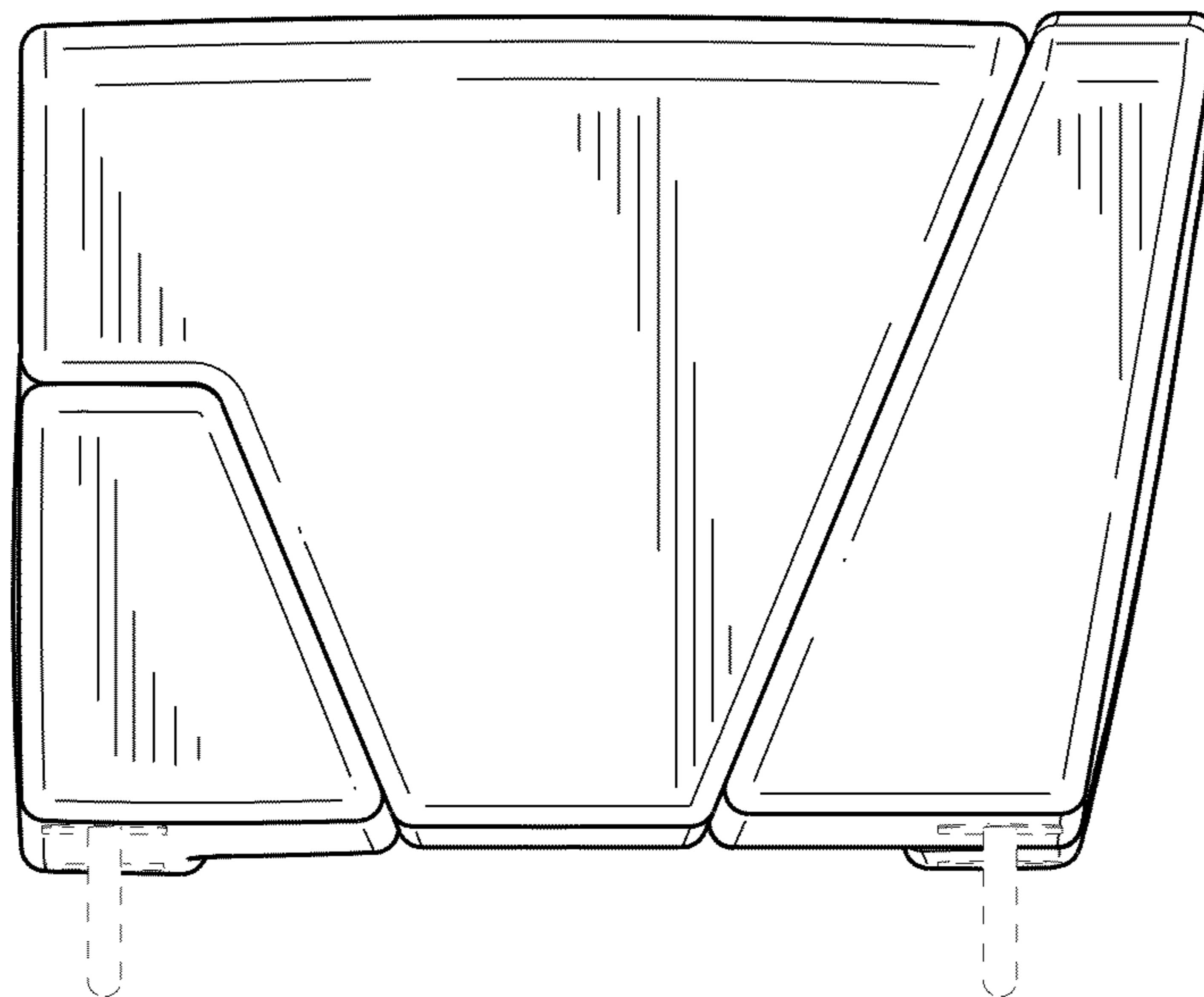


FIG. 5

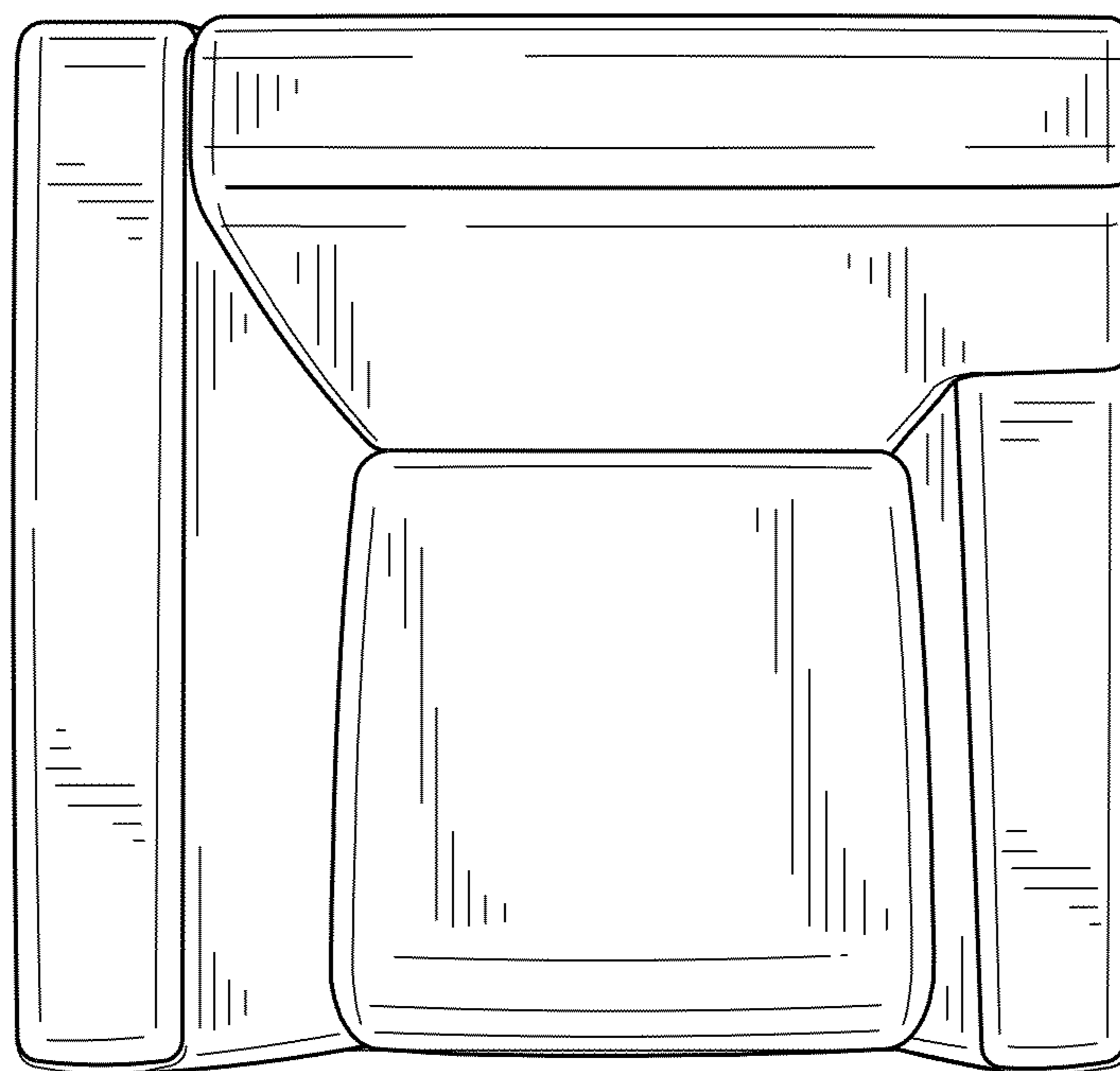


FIG. 6

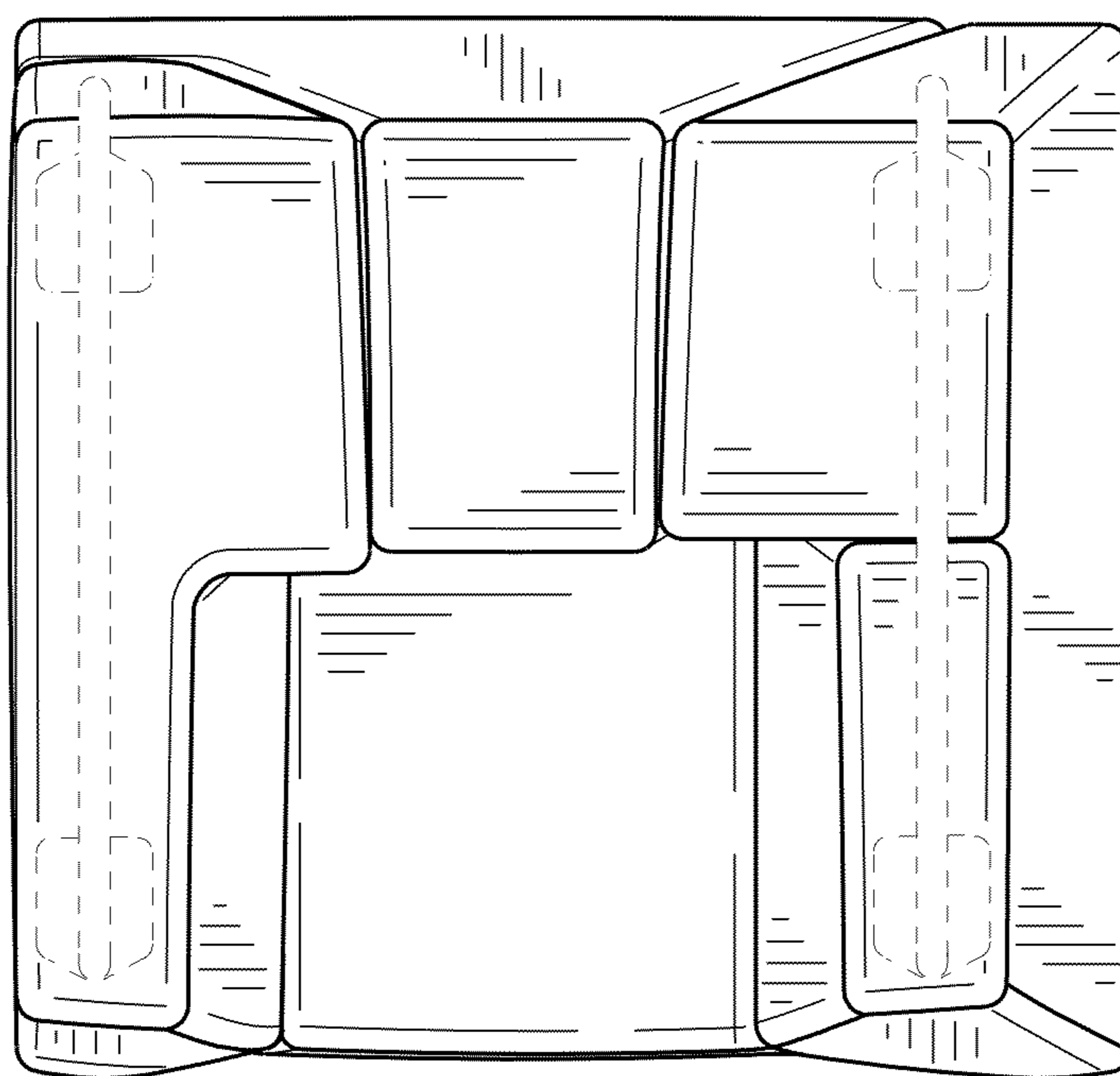


FIG. 7

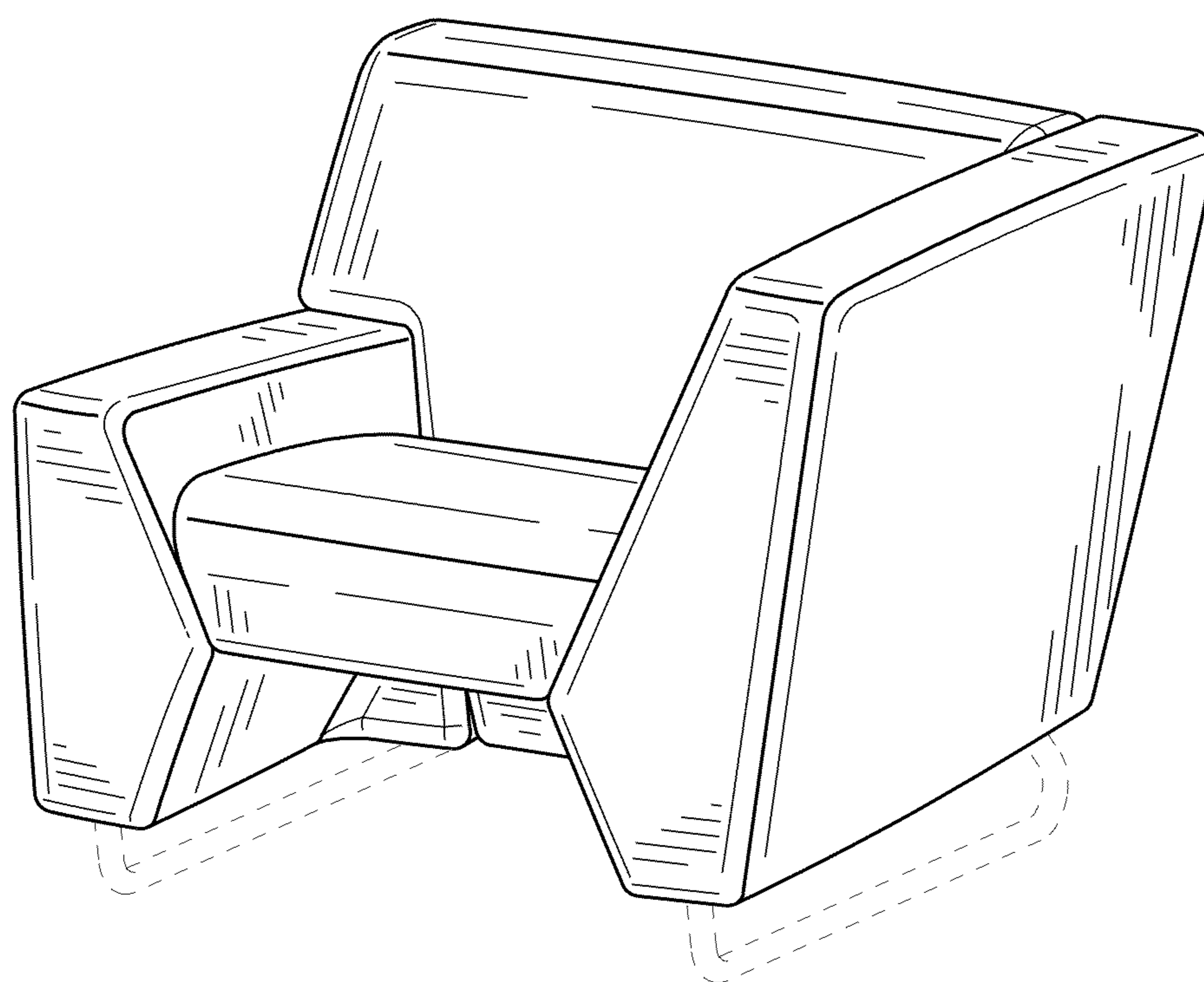


FIG. 8