



US00D737587S

(12) **United States Design Patent**
Akkad

(10) **Patent No.:** **US D737,587 S**
(45) **Date of Patent:** **** Sep. 1, 2015**

(54) **WEBBED SAUCER CHAIR WITH CENTRAL PAD**

1,939,743 A 12/1933 Warner
1,942,112 A 1/1934 McQuilkin
2,381,574 A 8/1945 Clarin
2,473,090 A 6/1949 Becker
2,587,543 A 2/1952 Smith
2,590,049 A 3/1952 Sidlinger
D168,212 S 11/1952 Cicchelli

(71) Applicant: **Idea Nuova, Inc.**, New York, NY (US)

(72) Inventor: **Benjamin S. Akkad**, New York, NY (US)

(Continued)

(73) Assignee: **Idea Nuova, Inc.**, New York, NY (US)

FOREIGN PATENT DOCUMENTS

(**) Term: **14 Years**

CN 87201431 U 2/1988
CN 2103938 U 5/1992

(21) Appl. No.: **29/500,106**

(Continued)

(22) Filed: **Aug. 21, 2014**

OTHER PUBLICATIONS

Related U.S. Application Data

Office Action Issued Oct. 18, 2010 in U.S. Appl. No. 12/544,256.

(62) Division of application No. 29/483,471, filed on Feb. 28, 2014, now Pat. No. Des. 716,574.

(Continued)

(51) **LOC (10) Cl.** **06-01**

Primary Examiner — Ricky Pham

(52) **U.S. Cl.**

(74) *Attorney, Agent, or Firm* — Panitch Schwarze Belisario & Nadel LLP

USPC **D6/368**

(58) **Field of Classification Search**

(57)

CLAIM

USPC D6/334-336, 360-381, 716, D6/716.1-716.4

The ornamental design for a webbed saucer chair with central pad, as shown and described.

CPC A47C 4/00; A47C 4/24; A47C 4/28; A47C 4/30; A47C 4/38; A47C 4/42; A47C 4/48; A47C 4/52; A47C 4/286; A47C 7/282; F16M 11/38

DESCRIPTION

See application file for complete search history.

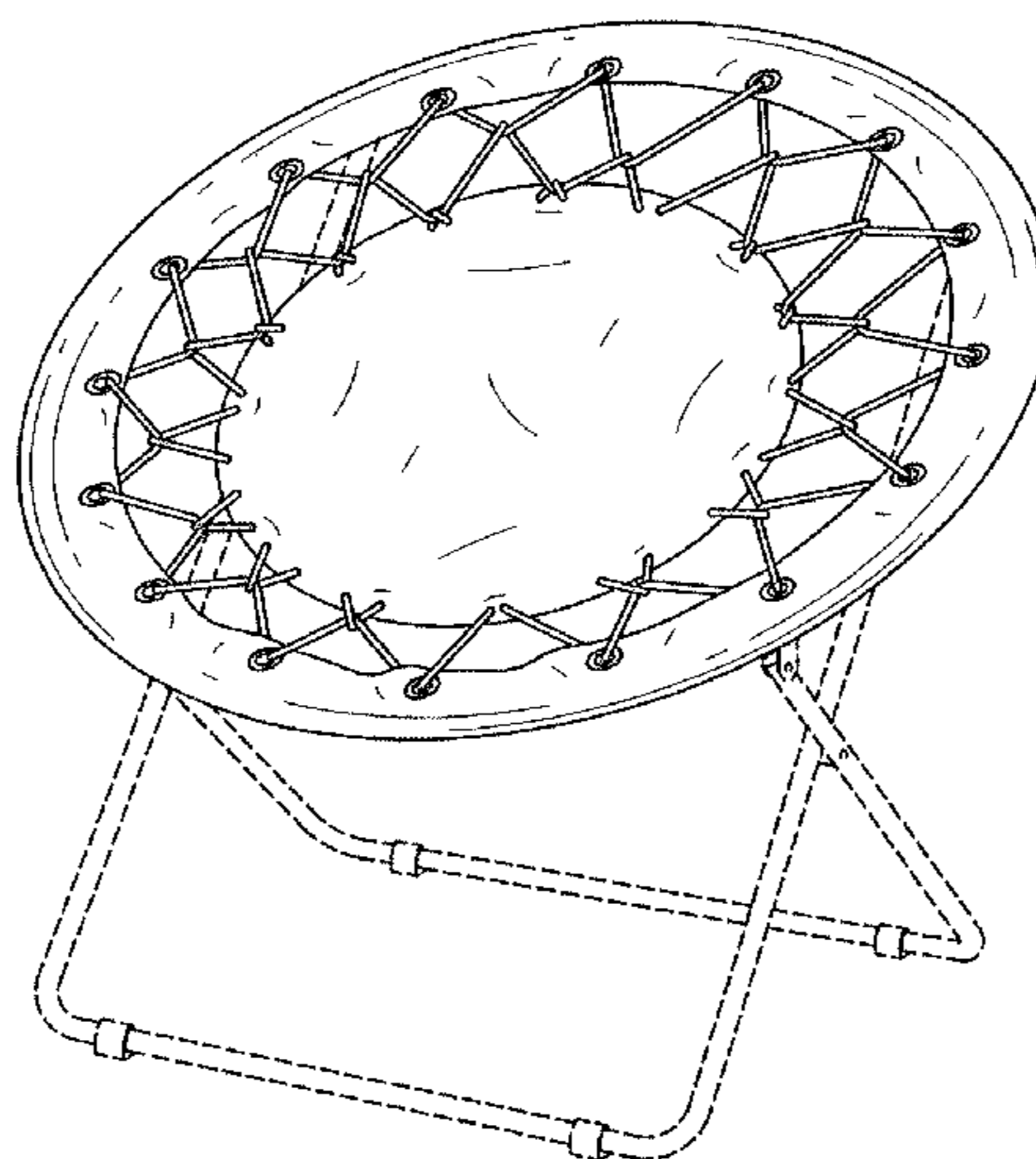
FIG. 1 is a front perspective view of a webbed saucer chair with central pad in accordance with my new design; FIG. 2 is a front elevation view thereof; FIG. 3 is a left side elevation view thereof, a right side elevation view thereof being a mirror image; FIG. 4 is a rear elevation view thereof; FIG. 5 is a top plan view thereof; and, FIG. 6 is a bottom plan view thereof. The broken lines in the figures are for the purpose of showing environmental structure and form no part of the claimed design.

(56) **References Cited**

U.S. PATENT DOCUMENTS

244,216 A 7/1881 Fenby
398,943 A 3/1889 Crandall
615,476 A 12/1898 Chapman
1,027,692 A 5/1912 Cole
1,185,568 A 5/1916 Zeunert
1,263,717 A 4/1918 Stone
1,443,734 A 1/1923 Clyde

1 Claim, 5 Drawing Sheets



(56)

References Cited

U.S. PATENT DOCUMENTS

2,649,901	A	8/1953	Johnson	6,095,607	A	8/2000	Wenzel
D171,176	S	12/1953	Yellen	6,112,757	A	9/2000	Tseng
D171,265	S	1/1954	Phillips	D431,382	S	10/2000	Eloge et al.
2,684,709	A	7/1954	Schawinsky	D432,325	S	10/2000	Zheng et al.
2,691,410	A	10/1954	Boucher	D432,823	S	10/2000	Zheng
2,712,349	A	7/1955	LeVair	D433,244	S	11/2000	Zheng
2,713,890	A	7/1955	Mack	D433,574	S	11/2000	Zheng
2,723,712	A	11/1955	Yellen	6,149,238	A	11/2000	Tsai
2,733,755	A	2/1956	Boucher	6,179,374	B1	1/2001	Tang
2,763,318	A	9/1956	Bertoia	6,209,951	B1	4/2001	Han
D179,376	S	12/1956	Breed	6,231,119	B1	5/2001	Zheng
D180,210	S	4/1957	Uretsky	6,237,993	B1	5/2001	Zheng
D184,202	S	12/1958	Yuen	6,238,001	B1	5/2001	Yoran
2,902,084	A	9/1959	Stevens	6,241,311	B1	6/2001	Zheng
2,916,744	A	12/1959	May	6,247,748	B1	6/2001	Zheng
2,930,430	A	3/1960	Bloom	6,264,271	B1	7/2001	Munn et al.
3,123,396	A	3/1964	Searle	6,283,046	B1	9/2001	Tseng
3,124,387	A	3/1964	MacLaren	6,296,304	B1	10/2001	Zheng
3,136,272	A	6/1964	Sprigman	6,302,479	B1	10/2001	Zheng
3,180,685	A	4/1965	Rogalski	6,312,343	B1	11/2001	Cho
3,635,520	A	1/1972	Roher et al.	6,322,138	B1	11/2001	Tang
3,656,808	A	4/1972	Chang	6,332,646	B1	12/2001	Tseng
3,694,030	A	9/1972	Grosfillex	6,354,657	B1	3/2002	Nelson et al.
3,767,192	A	10/1973	Eriksson	6,364,411	B1	4/2002	Zheng
3,838,883	A	10/1974	Machen	6,371,553	B1	4/2002	Tang
3,941,416	A	3/1976	Uchida	D456,628	S	5/2002	Satoshi
4,045,045	A	8/1977	Boucher et al.	6,382,715	B1	5/2002	Tang
4,047,752	A	9/1977	Rohr	6,382,729	B1	5/2002	Wu
4,105,244	A	8/1978	Colby	6,402,230	B1	6/2002	Tang
4,118,065	A	10/1978	Watkins	D460,280	S	7/2002	Fox
4,193,630	A	3/1980	Steele	6,419,311	B1	7/2002	Tang
4,231,582	A	11/1980	Moss	6,447,057	B1	9/2002	Chen
4,258,951	A	3/1981	Groom	6,454,348	B1	9/2002	Wu
4,290,643	A	9/1981	Logan, 3rd	6,488,331	B2	12/2002	Chen
D262,674	S	1/1982	Logan, 3rd	6,494,530	B1	12/2002	Zheng
D267,057	S	11/1982	Koehm	D468,939	S	1/2003	Zheng
D270,557	S	9/1983	Williams	6,505,885	B1	1/2003	Tang
4,514,009	A	4/1985	Vanderminde et al.	6,547,322	B2	4/2003	Marx
4,605,261	A	8/1986	Lee	6,554,717	B2	4/2003	Cho
D287,909	S	1/1987	Weiss	D475,860	S	6/2003	Yang
4,652,047	A	3/1987	Chan	6,601,912	B1	8/2003	Chen
D290,557	S	6/1987	Salvati et al.	6,607,240	B2	8/2003	Zheng
4,671,566	A	6/1987	Knapp et al.	6,629,722	B1	10/2003	Tang
4,685,725	A	8/1987	Helfrich	6,634,705	B1	10/2003	Zheng
D292,048	S	9/1987	Shaffer	6,637,811	B2	10/2003	Zheng
4,715,650	A	12/1987	Berman et al.	6,644,731	B2	11/2003	Tang
4,717,201	A	1/1988	Barras	6,669,281	B1	12/2003	Huang
4,789,123	A	12/1988	Mattsson	6,682,135	B2	1/2004	Zheng
4,826,241	A	5/1989	Barras	D486,310	S	2/2004	Goldy
4,867,505	A	9/1989	Parker	6,698,827	B2	3/2004	Le Gette et al.
4,889,383	A	12/1989	Jones	6,702,371	B2	3/2004	Zheng
4,934,638	A	6/1990	Davis	6,715,824	B2	4/2004	Zheng
D310,605	S	9/1990	Kwon	6,736,450	B2	5/2004	Miyagi
5,058,950	A	10/1991	Mann	6,755,462	B2	6/2004	Zheng
5,176,393	A	1/1993	Robertson et al.	6,779,838	B2	8/2004	Chang
5,246,265	A	9/1993	Nagan et al.	6,814,403	B2	11/2004	Zheng
5,320,404	A	6/1994	Le Gal	6,817,661	B2	11/2004	Zheng
5,335,967	A	8/1994	Vanderminde, Sr.	6,817,671	B1	11/2004	Zheng
5,494,333	A	2/1996	Wilson	6,820,927	B2	11/2004	Isom et al.
5,496,094	A	3/1996	Schwartzkopf et al.	6,824,207	B1	11/2004	Lin
5,499,857	A	3/1996	Lynch, Jr.	6,824,208	B2	11/2004	Zheng
5,522,642	A	6/1996	Herzog	6,824,210	B2	11/2004	Zheng
5,580,129	A	12/1996	Findlay	D499,258	S	12/2004	Tseng
D380,306	S	7/1997	Lin	D500,605	S	1/2005	Schmidt et al.
D382,126	S	8/1997	Lee	6,840,573	B1	1/2005	Yao
D382,414	S	8/1997	Lee	6,840,574	B1	1/2005	Wu
5,718,473	A	2/1998	Lynch, Jr.	6,848,740	B1	2/2005	Reese
5,848,822	A	12/1998	Wu	D503,554	S	4/2005	Kay
5,893,605	A	4/1999	Chang	6,877,814	B2	4/2005	Lin
D411,387	S	6/1999	Zheng	6,883,862	B1	4/2005	Yao
5,979,976	A	11/1999	Ferencik	6,899,383	B2	5/2005	Hwang
5,984,406	A	11/1999	Lee	D507,892	S	8/2005	Zheng
6,045,177	A	4/2000	Grace	6,926,355	B2	8/2005	Le Gette et al.
6,056,354	A	5/2000	Tseng	6,926,356	B2	8/2005	Chen
6,082,813	A	7/2000	Chen	6,938,951	B1	9/2005	Tseng
				6,957,852	B1	10/2005	Hsieh
				D515,830	S	2/2006	Zheng
				6,997,634	B2	2/2006	Zheng
				7,000,983	B1	2/2006	Tsai

(56)

References Cited

U.S. PATENT DOCUMENTS

D516,825 S 3/2006 Zheng
 D516,826 S 3/2006 Zheng
 D517,819 S 3/2006 Zheng
 7,011,372 B1 3/2006 Hsieh
 7,017,985 B2 3/2006 Chen
 D522,263 S 6/2006 Hart
 7,073,852 B1 7/2006 Zheng
 D528,317 S 9/2006 Tseng
 7,100,877 B2 9/2006 Bourke et al.
 7,100,975 B1 9/2006 Zheng
 D529,304 S 10/2006 Le Gal
 D529,728 S 10/2006 Le Gal
 7,140,689 B2 11/2006 Zheng
 7,144,078 B2 12/2006 Hsieh
 7,178,864 B2 2/2007 Hsieh
 7,219,955 B2 5/2007 Lu et al.
 7,229,128 B2 6/2007 Lee
 7,229,131 B2 6/2007 Chen
 7,264,245 B2 9/2007 Cho
 D554,873 S 11/2007 Ma
 D555,378 S 11/2007 Tsai
 7,328,940 B2 2/2008 Zheng
 7,396,073 B2 7/2008 Zheng
 7,404,601 B2 7/2008 Chen
 7,441,287 B2 10/2008 Zheng
 7,600,810 B2 10/2009 Chen et al.
 D608,104 S 1/2010 Vonnegut
 7,648,421 B2 1/2010 Yoon
 7,938,489 B2 5/2011 Nazari
 D649,800 S 12/2011 Lievore et al.
 D656,326 S 3/2012 Soewondo
 D661,360 S 6/2012 Campanaro et al.
 8,282,509 B1 10/2012 Michaelson et al.
 D677,920 S 3/2013 Christakos
 D681,970 S 5/2013 Christakos
 D683,156 S 5/2013 Christakos
 D688,057 S 8/2013 Christakos
 D691,384 S 10/2013 Akkad
 D703,460 S 4/2014 Kreuzer et al.
 D709,708 S * 7/2014 Tseng D6/368
 D710,120 S * 8/2014 Tseng D6/368
 D710,136 S * 8/2014 Wu D6/716
 D710,137 S * 8/2014 Wu D6/716
 D710,138 S * 8/2014 Wu D6/716
 D710,639 S * 8/2014 Wu D6/716
 D711,128 S * 8/2014 Christakos et al. D6/368
 D711,129 S * 8/2014 Christakos et al. D6/368
 D711,130 S * 8/2014 Christakos et al. D6/368
 D711,131 S * 8/2014 Christakos et al. D6/368
 D711,132 S * 8/2014 Christakos et al. D6/368
 D711,133 S * 8/2014 Christakos et al. D6/368
 D711,134 S * 8/2014 Christakos et al. D6/368
 D711,135 S * 8/2014 Christakos et al. D6/368
 D711,136 S * 8/2014 Christakos et al. D6/368
 D711,137 S * 8/2014 Christakos et al. D6/368
 D711,138 S * 8/2014 Christakos et al. D6/368
 D711,139 S * 8/2014 Christakos et al. D6/368
 D711,140 S * 8/2014 Christakos et al. D6/368
 D711,141 S * 8/2014 Christakos et al. D6/368
 D711,142 S * 8/2014 Christakos et al. D6/368
 D711,143 S * 8/2014 Christakos et al. D6/368
 D711,144 S * 8/2014 Christakos et al. D6/368
 D711,145 S * 8/2014 Christakos D6/368
 D711,148 S * 8/2014 Christakos D6/368
 D711,149 S * 8/2014 Christakos D6/368
 D711,150 S * 8/2014 Christakos D6/368
 D711,151 S * 8/2014 Christakos D6/368
 D712,185 S * 9/2014 Akkad D6/716
 D713,191 S * 9/2014 Akkad D6/716
 D716,574 S * 11/2014 Akkad D6/368
 D718,546 S * 12/2014 Christakos D6/368
 D718,547 S * 12/2014 Christakos D6/368
 D718,548 S * 12/2014 Shinall D6/368
 D718,549 S * 12/2014 Akkad D6/368
 D720,550 S * 1/2015 Akkad D6/368

8,955,904 B1 * 2/2015 Zhu 297/16.1
 2002/0024240 A1 2/2002 Chen
 2002/0043822 A1 4/2002 Choi et al.
 2002/0074834 A1 6/2002 Summar et al.
 2002/0183128 A1 12/2002 Cho
 2003/0006632 A1 1/2003 Ku
 2003/0015892 A1 1/2003 Wu
 2003/0020304 A1 1/2003 Zheng
 2003/0052518 A1 3/2003 Zheng
 2003/0057741 A1 3/2003 Zheng
 2003/0057747 A1 3/2003 Johnston
 2003/0060309 A1 3/2003 Smith
 2003/0094836 A1 5/2003 Chen
 2003/0111872 A1 6/2003 Zheng
 2003/0111874 A1 6/2003 Zheng
 2003/0127885 A1 7/2003 Tang
 2003/0234561 A1 12/2003 Zheng
 2004/0007903 A1 1/2004 Chang
 2004/0036323 A1 2/2004 Hwang
 2004/0066075 A1 4/2004 Yeh
 2004/0094996 A1 5/2004 Zheng
 2004/0094997 A1 5/2004 Zheng
 2004/0113476 A1 6/2004 Chang
 2004/0130190 A1 7/2004 Zheng
 2004/0135405 A1 7/2004 Zheng
 2004/0232740 A1 11/2004 Enge
 2004/0245810 A1 12/2004 Tseng
 2005/0077758 A1 4/2005 Reese
 2005/0088018 A1 4/2005 Yao
 2005/0236873 A1 10/2005 Edward
 2005/0248202 A1 11/2005 Zheng
 2006/0186711 A1 8/2006 Phipps
 2006/0249991 A1 * 11/2006 Hsieh 297/16.1
 2007/0029846 A1 2/2007 Cohen
 2007/0102974 A1 5/2007 Chen
 2007/0187998 A1 8/2007 Chen
 2007/0200395 A1 8/2007 Zheng
 2007/0267901 A1 11/2007 Zheng
 2008/0224504 A1 9/2008 Fargason
 2008/0231088 A1 9/2008 Zheng
 2010/0164256 A1 7/2010 Salisbury
 2010/0231015 A1 9/2010 Lundeen
 2011/0043003 A1 * 2/2011 Akkad 297/16.1

FOREIGN PATENT DOCUMENTS

CN 2117779 U 10/1992
 CN 2137107 Y 6/1993
 CN 2179041 Y 10/1994
 CN 2188885 Y 2/1995
 CN 2196945 Y 5/1995
 CN 1139537 A 1/1997
 CN 2326083 Y 6/1999
 CN 2328266 Y 7/1999
 CN 2339063 Y 9/1999
 CN 2349884 Y 11/1999
 CN 2367154 Y 3/2000
 EP 139306 A1 5/1985
 EP 997090 A1 5/2000
 FR 2833824 A1 6/2003
 FR 2837081 A1 9/2003
 GB 599760 A 3/1948
 GB 2022405 A 12/1979
 GB 2025213 A 1/1980
 GB 2331233 A 5/1999
 JP 38-12532 6/1938
 JP 50123508 A 9/1975
 JP 51127856 A 11/1976
 JP 55120347 A 9/1980
 JP 2001070077 A 3/2001
 JP 2002165667 A 6/2002
 JP 2002233429 A 8/2002
 JP 2002360371 A 12/2002

(56)

References Cited

FOREIGN PATENT DOCUMENTS

JP 2004105557 A 4/2004
WO 2004021835 A1 3/2004

OTHER PUBLICATIONS

U.S. Appl. No. 13/570,472 by Akkad, filed Aug. 9, 2012.
U.S. Appl. No. 29/434,983 by Akkad, filed Oct. 18, 2012.
Office Action issued Jan. 28, 2014 in CA Application No. 2,791,594.

Office Action issued Sep. 20, 2013 in U.S. Appl. No. 13/570,472 by Akkad.

Office Action issued Jan. 14, 2014 in U.S. Appl. No. 13/570,472 by Akkad.

U.S. Appl. No. 29/483,471 by Akkad, filed Feb. 28, 2014.

U.S. Appl. No. 29/483,488 by Akkad, filed Feb. 28, 2014.

U.S. Appl. No. 29/478,866 by Akkad, filed Jan. 9, 2014.

U.S. Appl. No. 29/493,606 by Akkad, filed Jun. 11, 2014.

U.S. Appl. No. 29/493,607 by Akkad, filed Jun. 11, 2014.

* cited by examiner

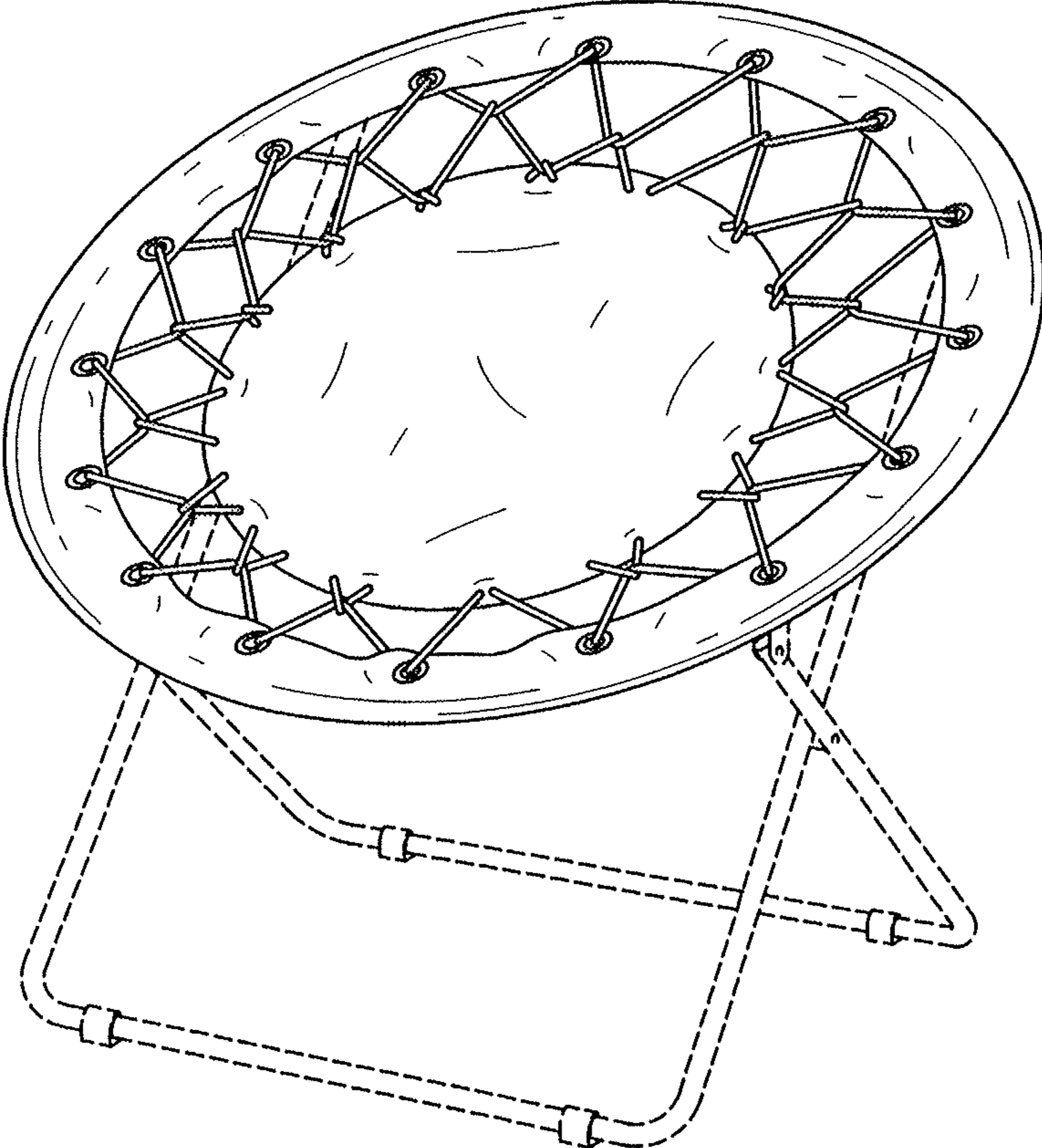


FIG. 1

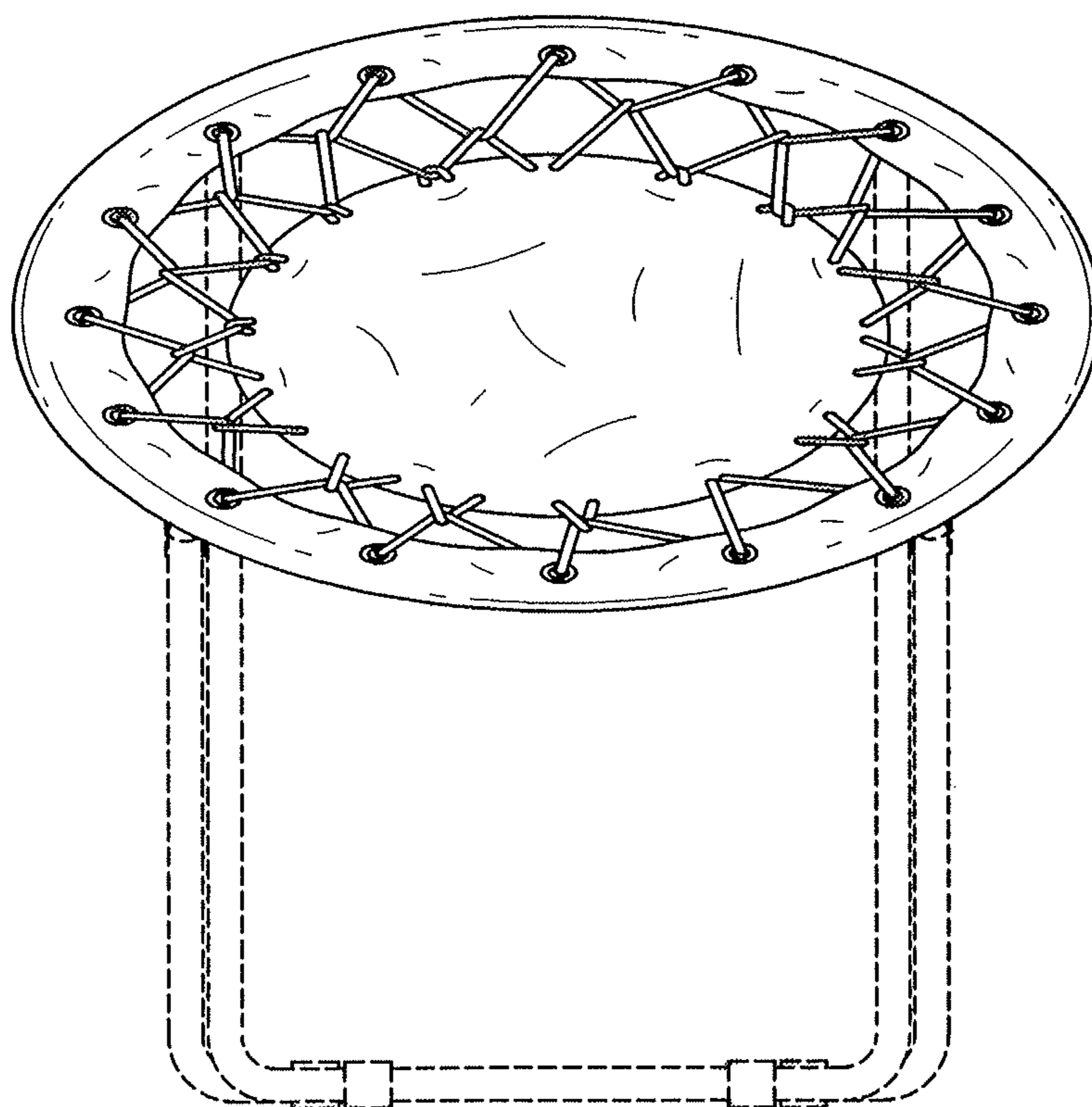


FIG. 2

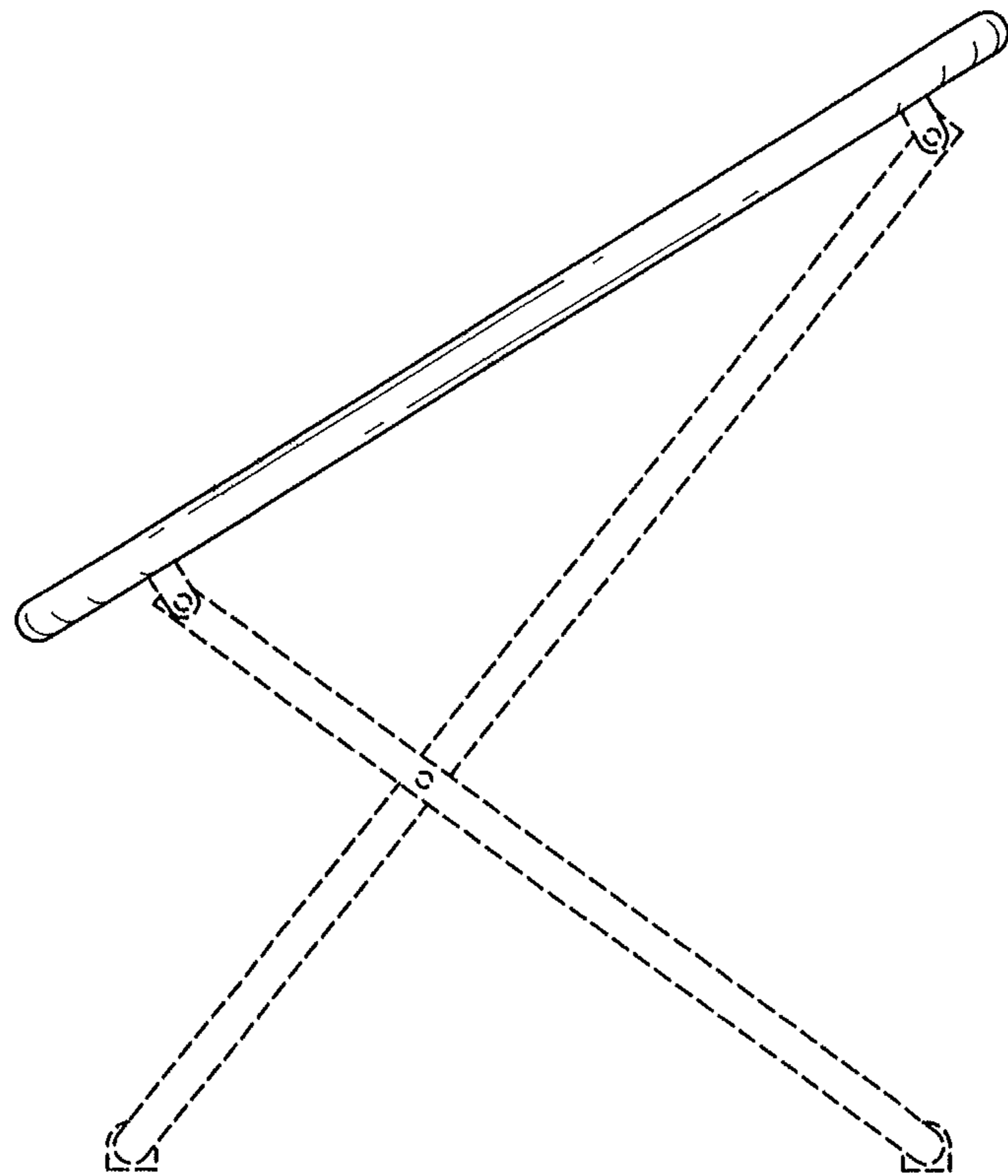


FIG. 3

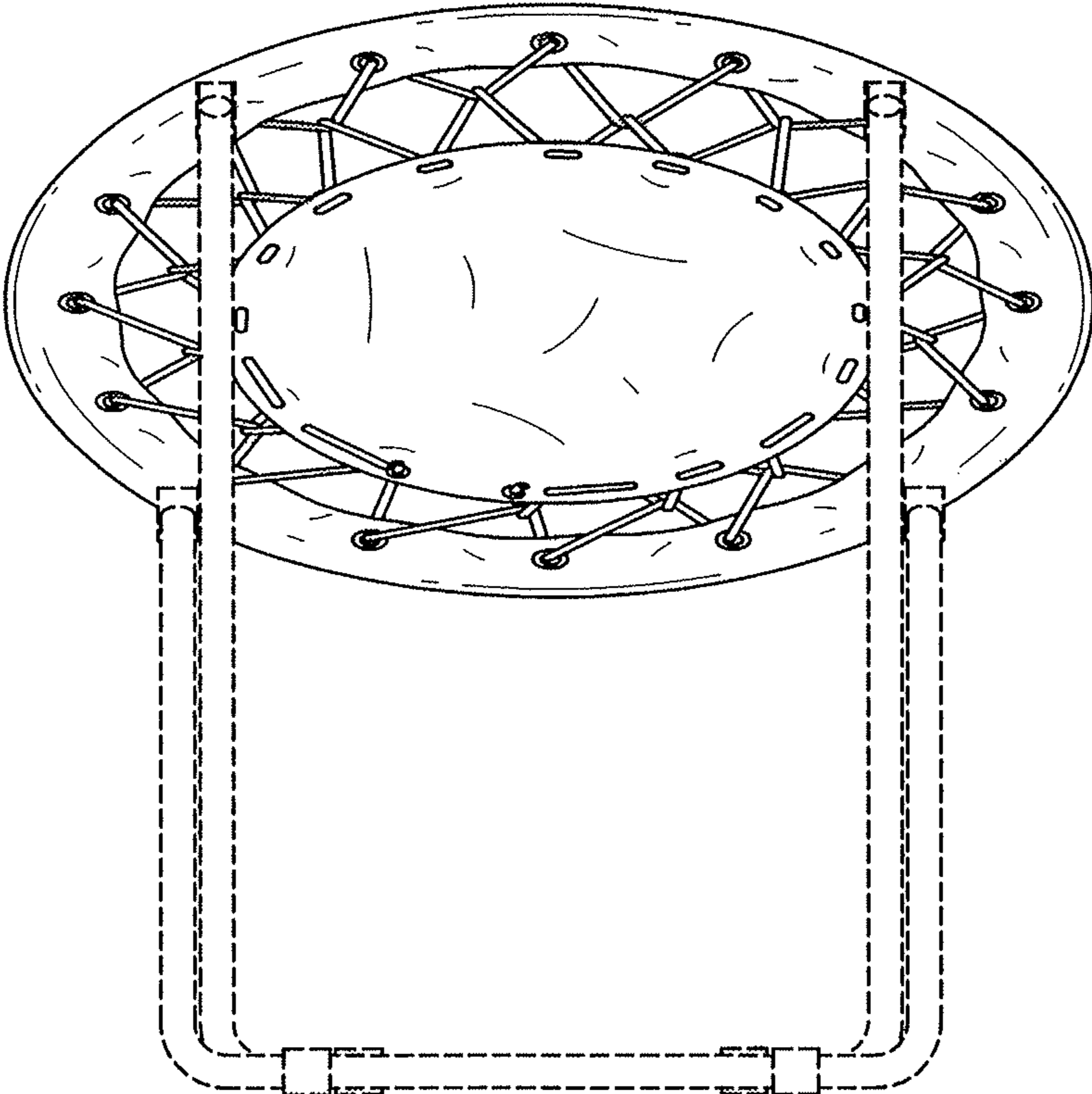


FIG. 4

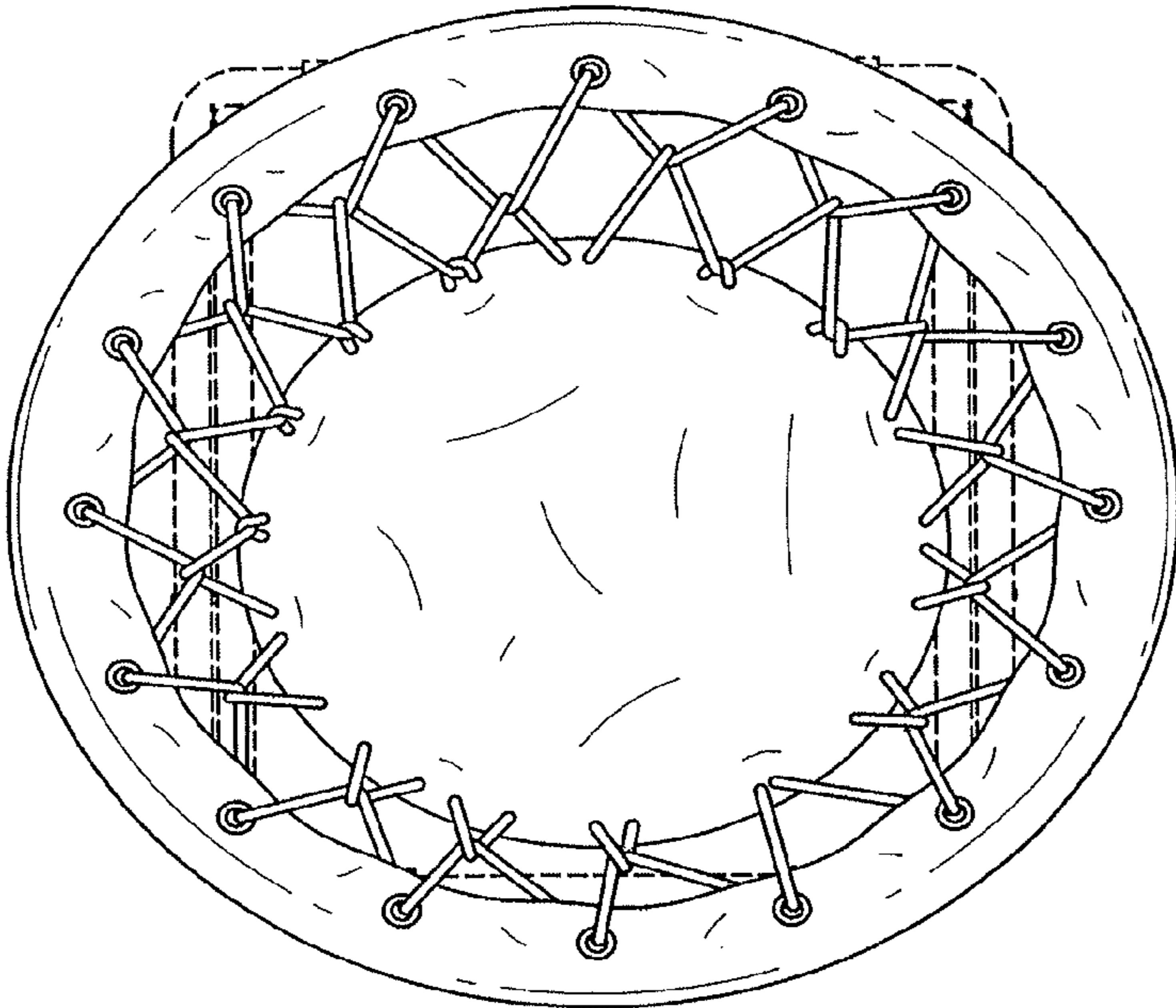


FIG. 5

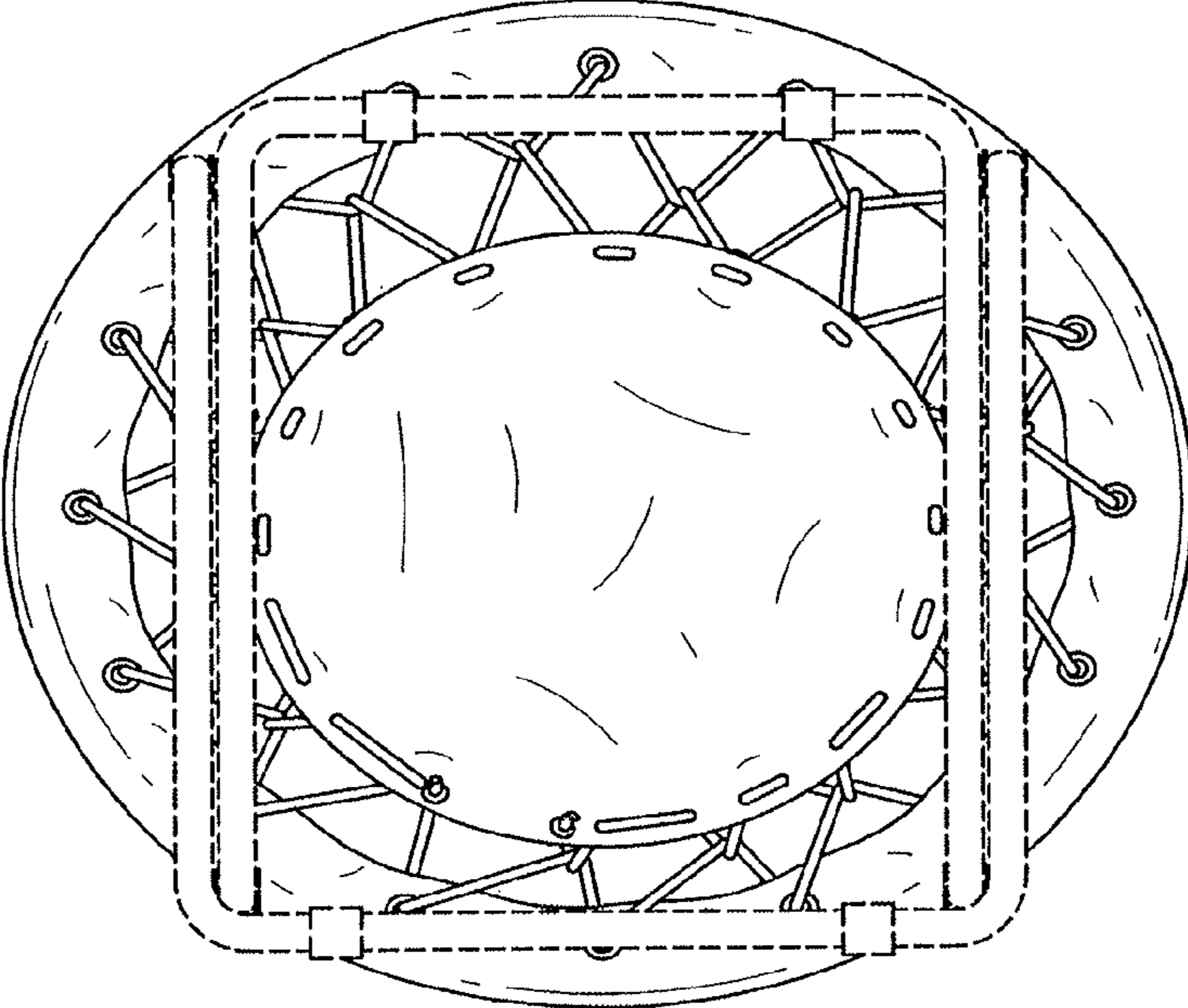


FIG. 6