



US00D737580S

(12) **United States Design Patent**  
**Tsai**

(10) **Patent No.:** **US D737,580 S**  
(45) **Date of Patent:** **\*\* Sep. 1, 2015**

(54) **WALL MOUNTED MIRROR**  
(71) Applicant: **Pretty Star Store LLC**, Rowland Heights, CA (US)

(72) Inventor: **Tsung-Yu Tsai**, Changhua (TW)

(73) Assignee: **Pretty Star Store LLC**, Rowland Heights, CA (US)

(\*\*) Term: **14 Years**

(21) Appl. No.: **29/497,233**

(22) Filed: **Jul. 22, 2014**

(51) **LOC (10) Cl.** ..... **06-07**

(52) **U.S. Cl.**  
USPC ..... **D6/300; D6/309; D6/312**

(58) **Field of Classification Search**  
USPC ..... D6/300-314; D10/122, 123, 126;  
D24/139; D20/10, 21; D26/44, 56, 63,  
D26/107; D8/352; 359/879, 871; 40/735,  
40/738, 597, 744, 745, 754, 765, 768, 769,  
40/790, 798; 248/466-467; D11/146  
CPC ..... A45D 42/16; A45D 42/08; F21V 33/004;  
F21V 21/30; A47G 1/02  
See application file for complete search history.

(56) **References Cited**

**U.S. PATENT DOCUMENTS**

6,158,877	A *	12/2000	Zadro	362/216
D437,492	S *	2/2001	Wai	D6/309
D492,230	S *	6/2004	Berger	D12/187
D509,369	S *	9/2005	Snell	D6/310
7,048,406	B1 *	5/2006	Shih	362/135
D540,549	S *	4/2007	Yue	D6/312
7,513,476	B1 *	4/2009	Huang	248/474

D639,496	S *	6/2011	Wada et al.	D26/120
D657,576	S *	4/2012	Pitot	D6/309
8,162,502	B1 *	4/2012	Zadro	362/141
8,356,908	B1 *	1/2013	Zadro	362/136
8,735,922	B2 *	5/2014	Tsai	257/98

**OTHER PUBLICATIONS**

DecoBros Wall Mount Mirror, available Jun. 3, 2014, [online], [site visited Mar. 4, 2015]. Available from internet, <URL: [http://www.amazon.com/DecoBros-Two-Sided-Magnification-13-5-Inch-Extension/dp/B00J3K9W6G/ref=sr\\_1\\_2?s=beauty&ie=UTF8&qid=1425500457&sr=1-2](http://www.amazon.com/DecoBros-Two-Sided-Magnification-13-5-Inch-Extension/dp/B00J3K9W6G/ref=sr_1_2?s=beauty&ie=UTF8&qid=1425500457&sr=1-2)>.

(Continued)

*Primary Examiner* — Cathron Brooks

*Assistant Examiner* — Teddy Falloway

(74) *Attorney, Agent, or Firm* — Muncy, Geissler, Olds & Lowe, P.C.

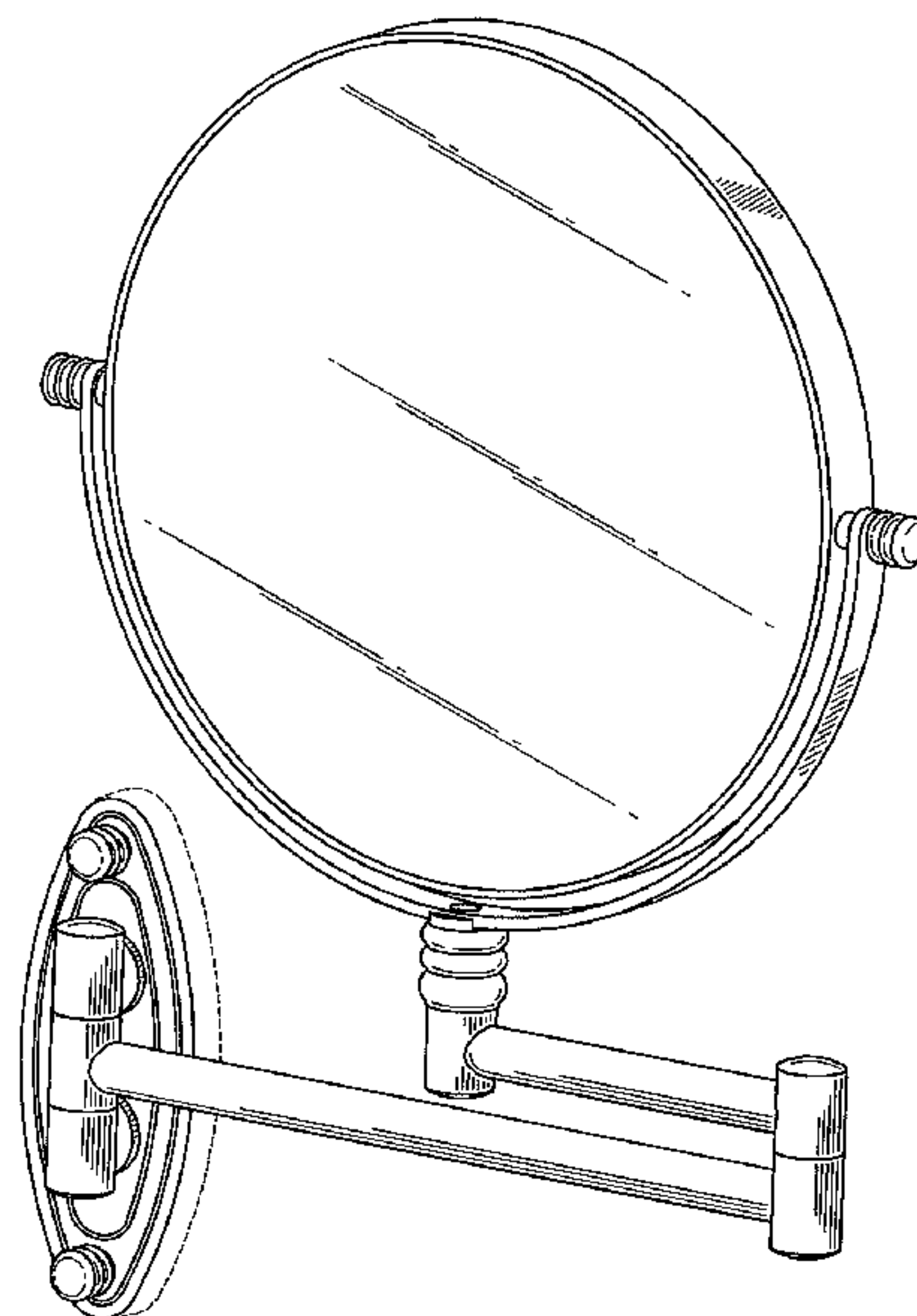
(57) **CLAIM**

The ornamental design for a wall mounted mirror, as shown and described.

**DESCRIPTION**

FIG. 1 is a perspective view of the present design; FIG. 2 is a front view of the present design; FIG. 3 is a rear view of the present design; FIG. 4 is a left side view of the present design; FIG. 5 is a right view of the present design; FIG. 6 is a top view of the present design; FIG. 7 is a bottom view of the present design; and, FIG. 8 is another perspective view of the present design. The broken lines shown are included for the purpose of illustrating portions of the wall mounted mirror that form no part of the claimed design.

**1 Claim, 7 Drawing Sheets**



(56)

**References Cited**

OTHER PUBLICATIONS

Ovente Wall Mount Mirror, available Feb. 11, 2013, [online], [site visited Mar. 4, 2015]. Available from internet, <URL: <http://www.amazon.com/dp/B00B5KAA0E?psc=1>>.\*

Jerdon Wall Mount Mirror, available Sep. 7, 2004, [online], [site visited Mar. 4, 2015]. Available from internet, <URL: <http://www.amazon.com/Jerdon-JP7506CF-8-Inch-Makeup-Magnification/dp/>

B0000AFUTL/ref=sr\_1\_3?ie=UTF8&qid=1425502904&sr=8-3&keywords=wall+mounted+mirror.\*

Danielle Wall Mount Mirror, available Jul. 15, 2011, [online], [site visited Mar. 4, 2015]. Available from internet, <URL: [http://www.amazon.com/Danielle-Magnification-Adjustable-Round-Mirror/dp/B0041OF7YU/ref=sr\\_1\\_8?ie=UTF8&qid=1425503144&sr=8-8](http://www.amazon.com/Danielle-Magnification-Adjustable-Round-Mirror/dp/B0041OF7YU/ref=sr_1_8?ie=UTF8&qid=1425503144&sr=8-8)

&keywords=wall+mounted+mirror.\*

\* cited by examiner

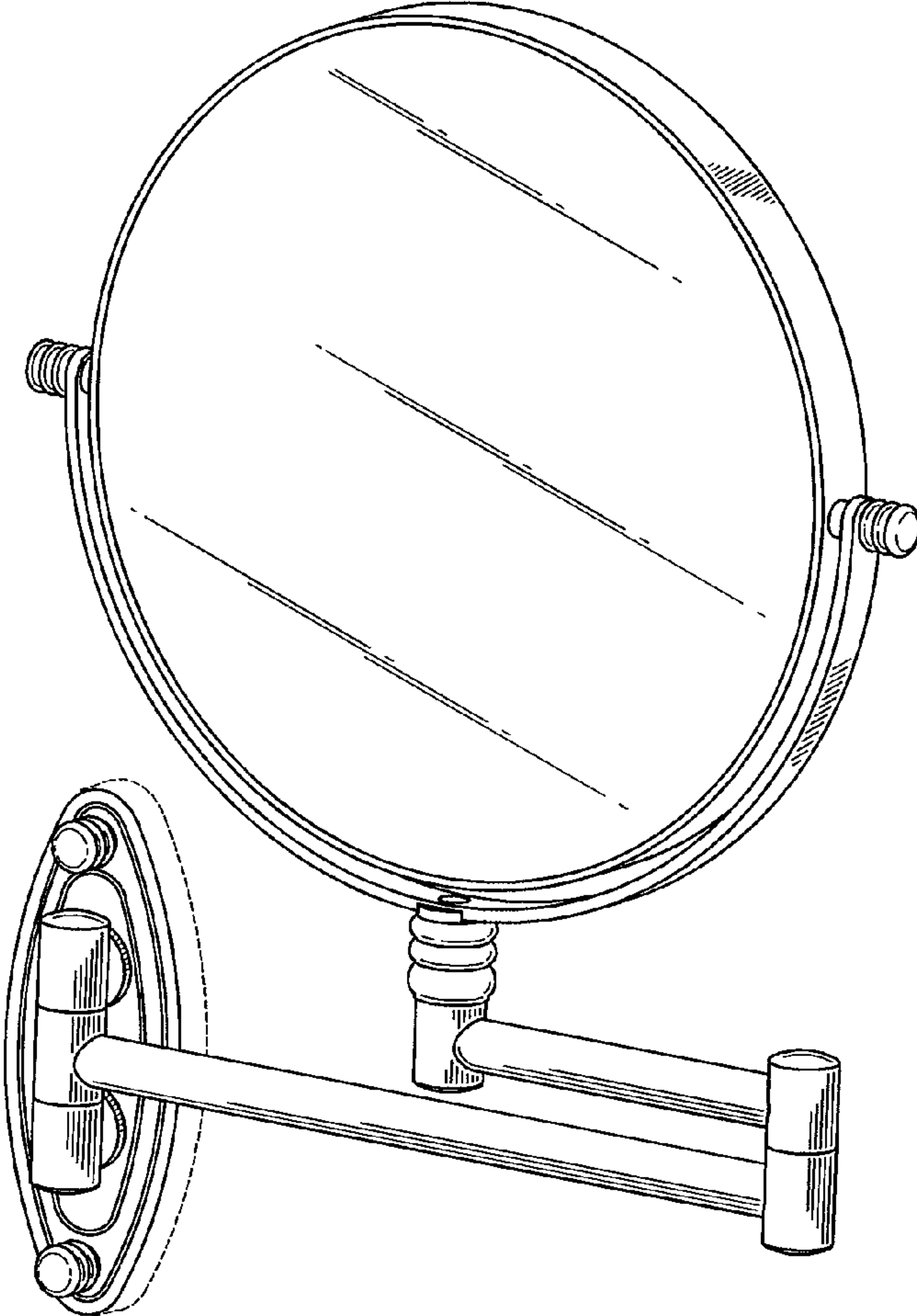


FIG. 1

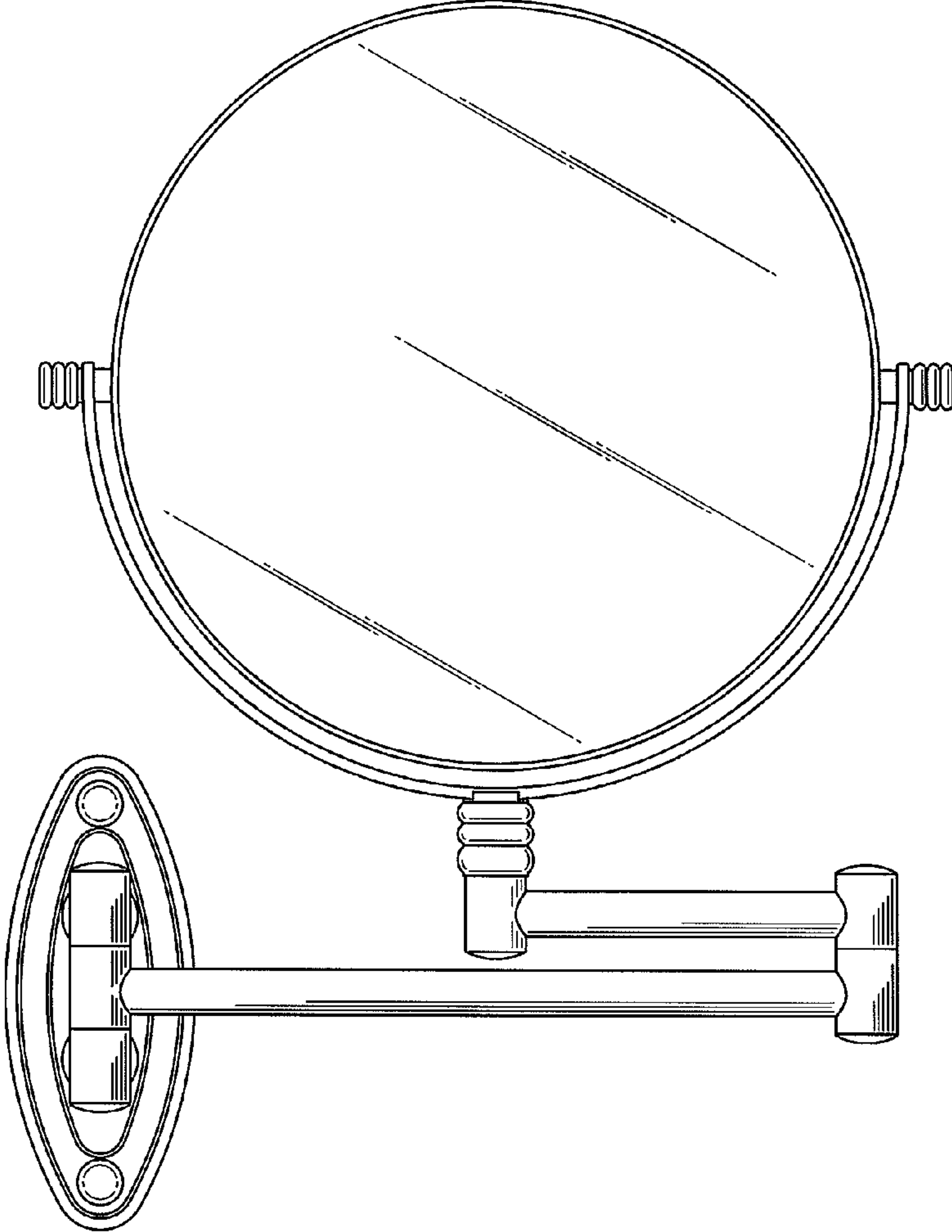


FIG. 2

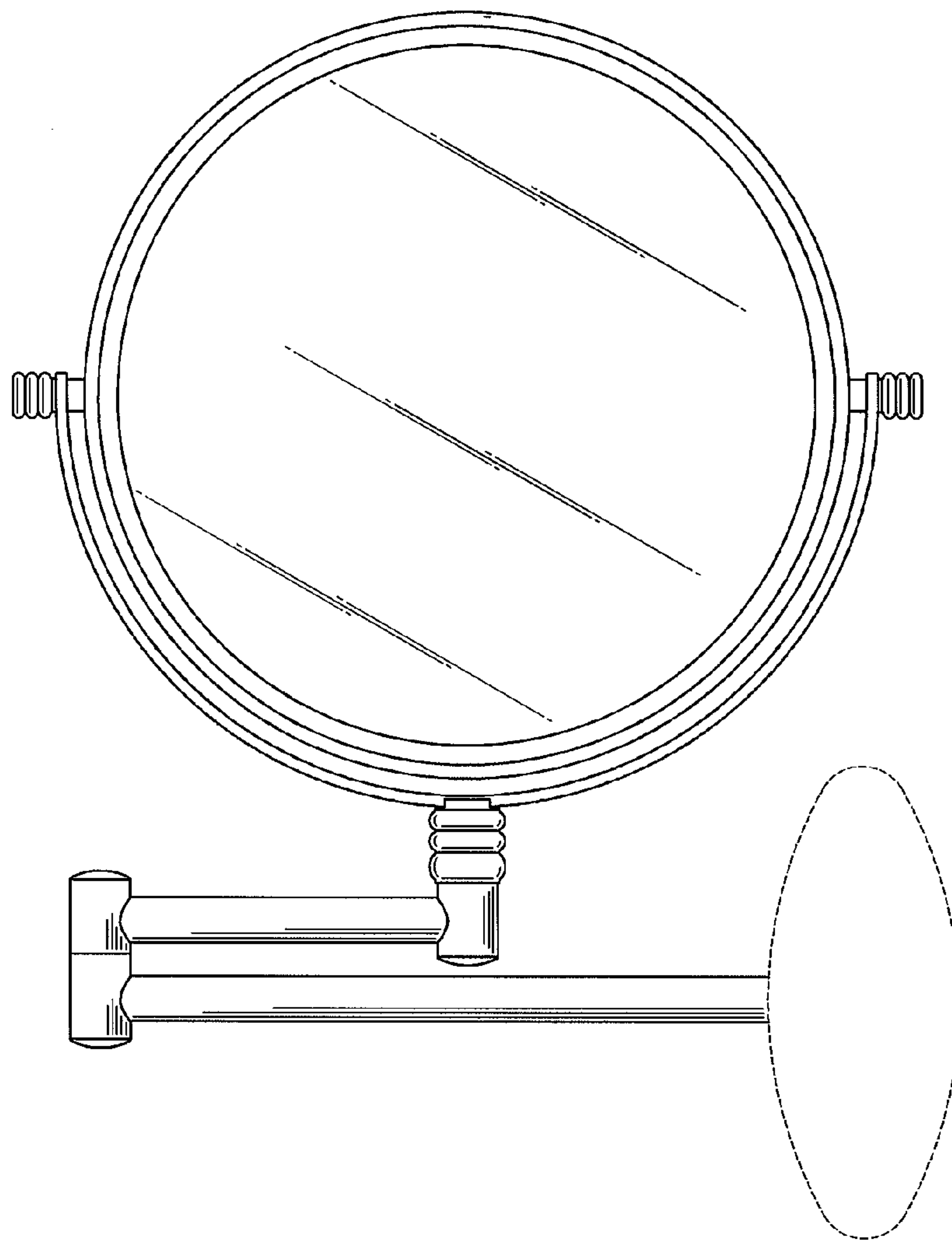


FIG. 3

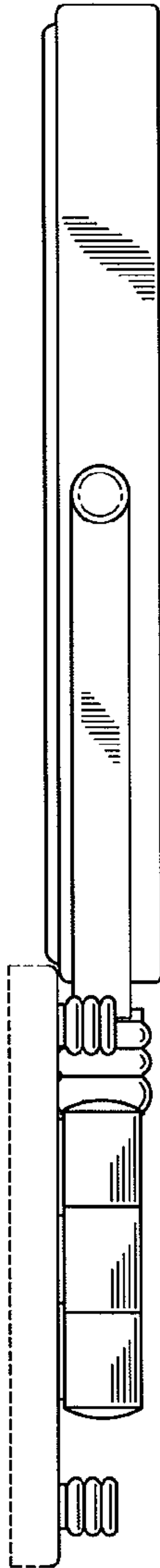


FIG. 4

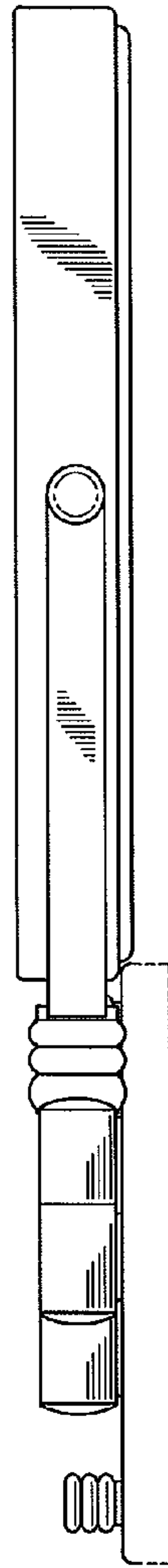


FIG. 5



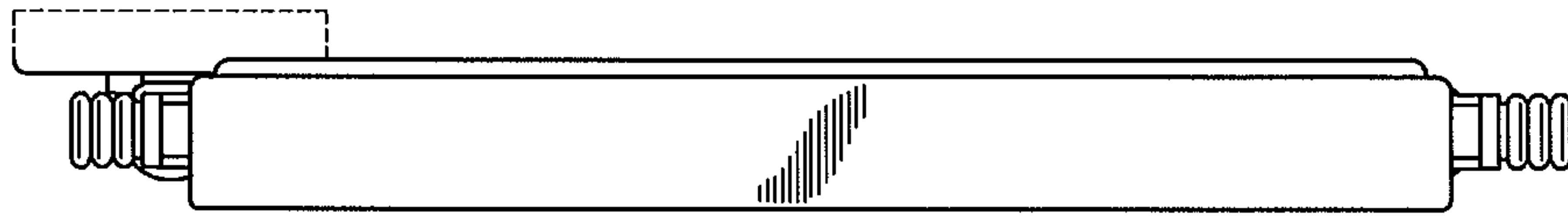


FIG. 6

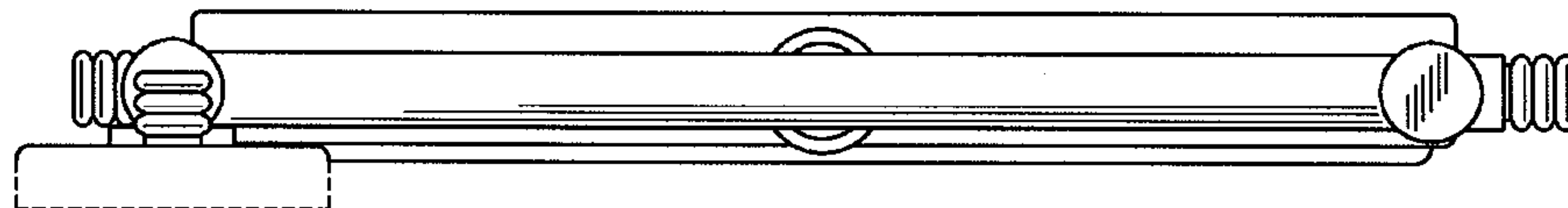


FIG. 7



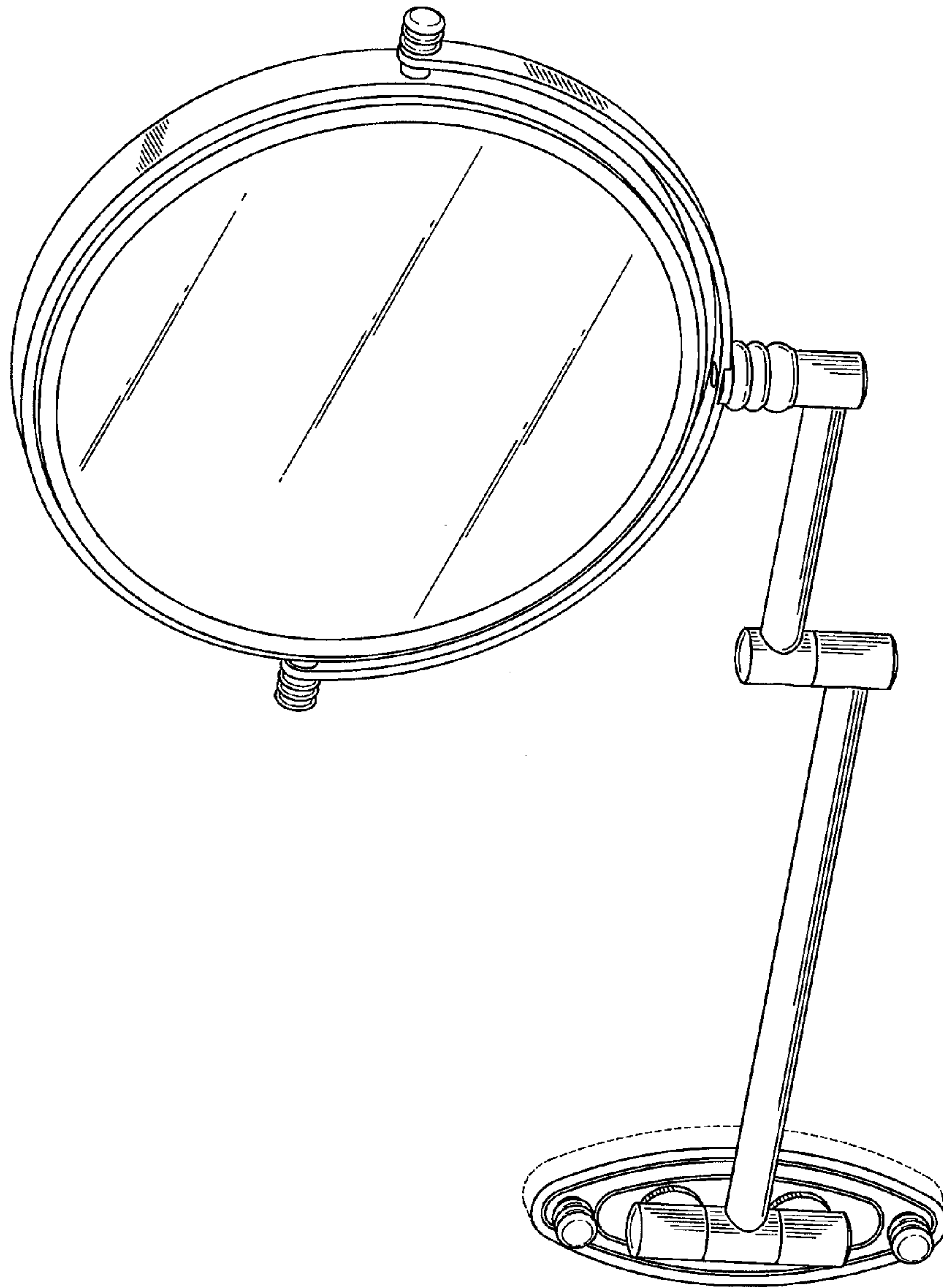


FIG. 8