



US00D737574S

(12) **United States Design Patent**  
**Reinhart**

(10) **Patent No.:** **US D737,574 S**

(45) **Date of Patent:** **\*\* Sep. 1, 2015**

(54) **STORAGE CONTAINER HANDLE CLIP**

(71) Applicant: **Terrence L. Reinhart**, Findlay, OH (US)

(72) Inventor: **Terrence L. Reinhart**, Findlay, OH (US)

(73) Assignee: **CENTREX PLASTICS, LLC**, Findlay, OH (US)

(\*\*) Term: **14 Years**

(21) Appl. No.: **29/463,309**

(22) Filed: **Oct. 8, 2013**

(51) **LOC (10) CI.** ..... **03-01**

(52) **U.S. Cl.**  
USPC ..... **D3/318**

(58) **Field of Classification Search**

USPC ..... D3/318, 201, 212, 272, 273, 276, 279,  
D3/281, 282, 294, 302, 307, 308, 309, 312,  
D3/905; D7/393, 605; D8/300, 301, 306,  
D8/313, 314, 319, 320, 321, 322, 330;  
D9/423, 424; D34/10, 11; 220/200,  
220/203.09, 212, 212.5, 244, 810, 817, 318,  
220/908

See application file for complete search history.

(56) **References Cited**

**U.S. PATENT DOCUMENTS**

4,691,840 A \* 9/1987 Ferbrache ..... 220/318  
D326,345 S \* 5/1992 Mandell et al. .... D3/312  
D330,162 S \* 10/1992 Verchere ..... D3/281  
D331,859 S \* 12/1992 Kahl ..... D7/393  
D381,512 S \* 7/1997 Green ..... D3/294  
D399,737 S \* 10/1998 Zuhlke et al. .... D9/423

D408,631 S \* 4/1999 Dickinson et al. .... D3/302  
D427,769 S \* 7/2000 Zimmerman ..... D3/302  
D464,485 S \* 10/2002 Sward et al. .... D3/294  
D477,714 S \* 7/2003 Cunningham et al. .... D3/273  
7,387,350 B2 \* 6/2008 Killinger et al. .... 312/290  
D643,629 S \* 8/2011 Sofy et al. .... D3/302  
D668,454 S \* 10/2012 Blanchard ..... D3/279

\* cited by examiner

*Primary Examiner* — Caron D Veynar

*Assistant Examiner* — Holly E Thurman

(74) *Attorney, Agent, or Firm* — Fraser Clemans Martin & Miller LLC; Jacob M. Ward

(57) **CLAIM**

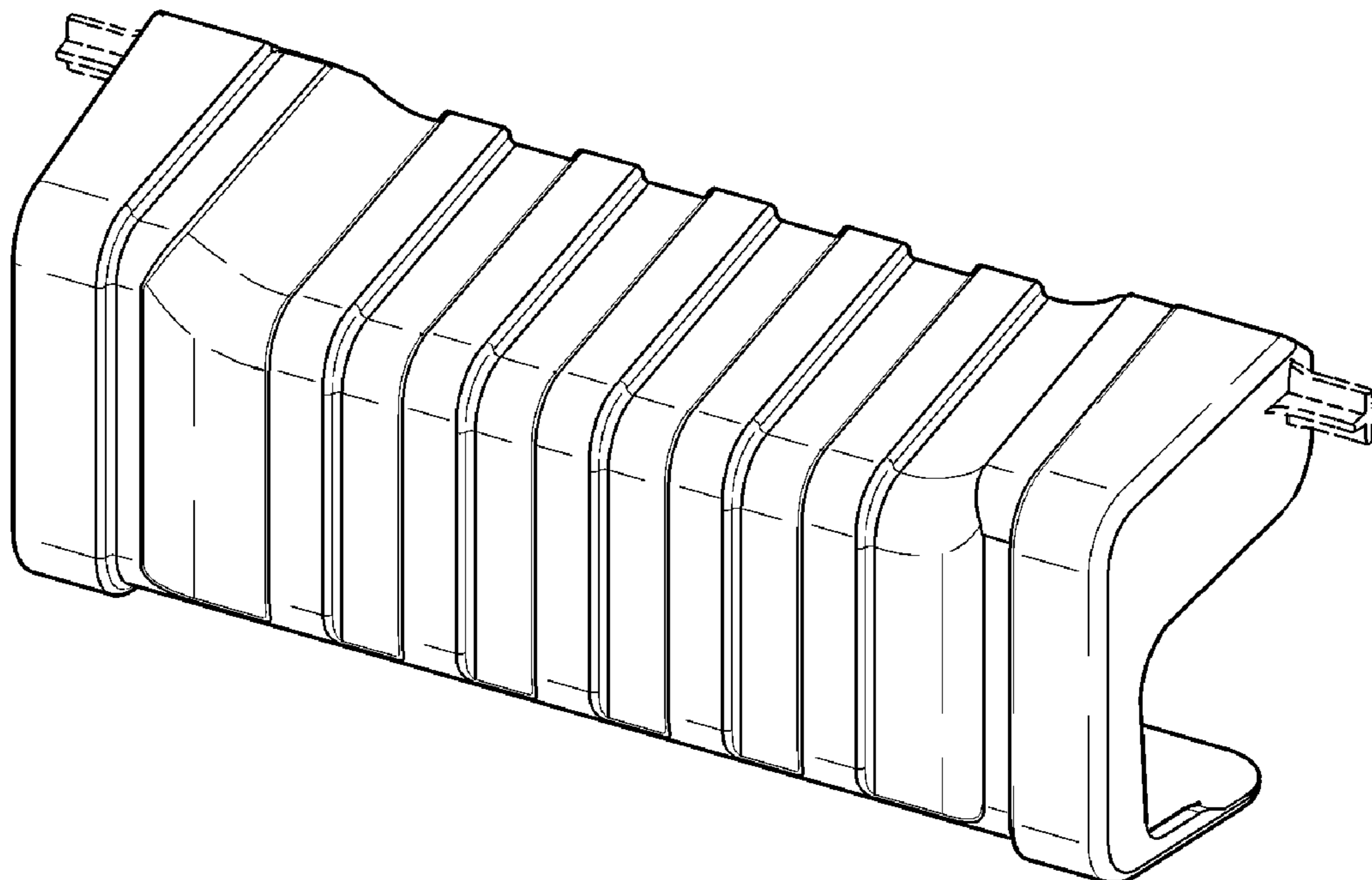
The ornamental design for a storage container handle clip, as shown and described.

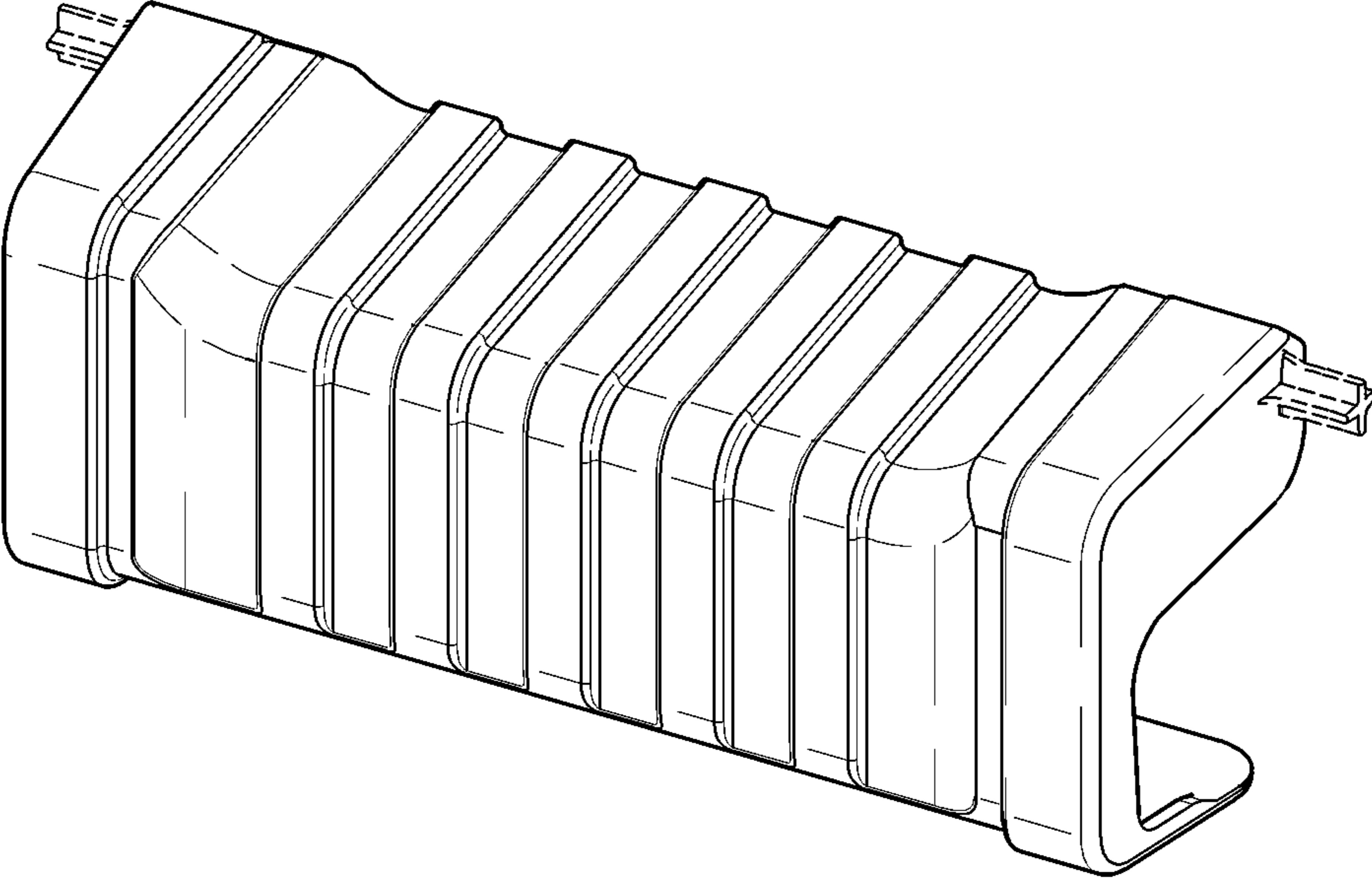
**DESCRIPTION**

FIG. 1 is a front bottom perspective view of a storage container handle clip showing my new design;  
FIG. 2 is a front view thereof;  
FIG. 3 is a bottom view thereof;  
FIG. 4 is a top view thereof;  
FIG. 5 is a left side view thereof;  
FIG. 6 is a right side view thereof; and,  
FIG. 7 is a front top perspective view in environment of use thereof.

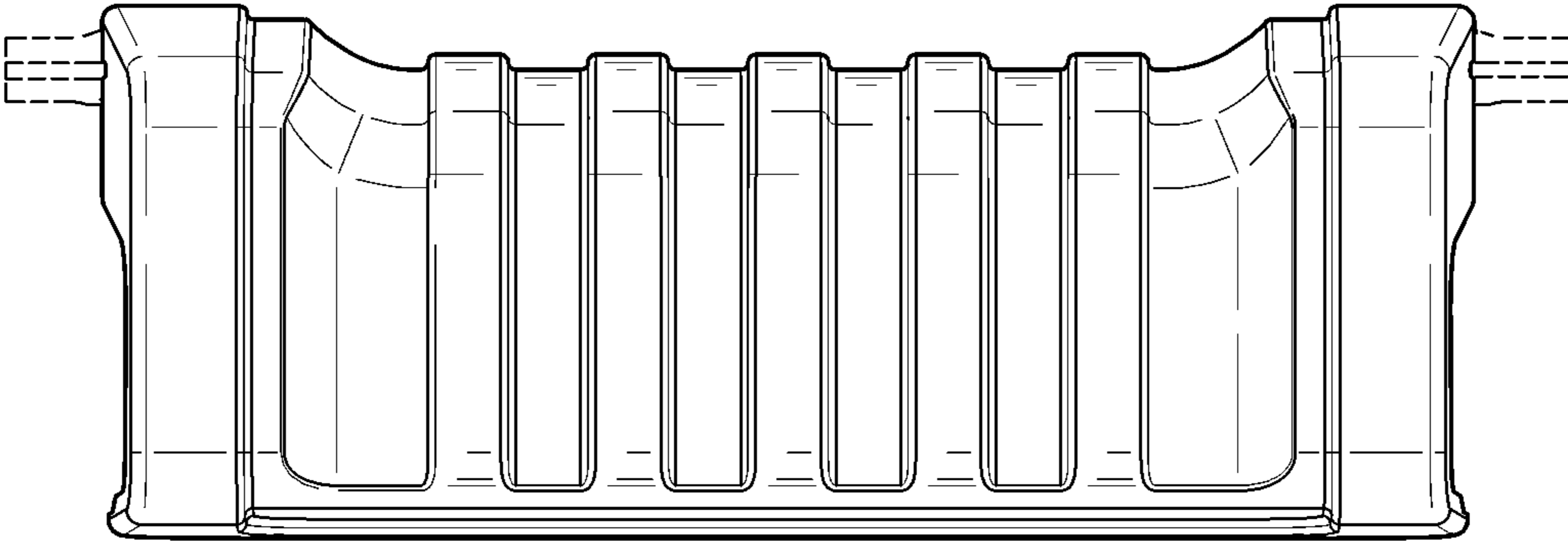
The rear portion of the article is not a part of the claimed design. The portions of the storage container handle clip shown in broken lines depict unclaimed subject matter only, and form no part of the claimed design.

**1 Claim, 3 Drawing Sheets**





**FIG. 1**



**FIG. 2**

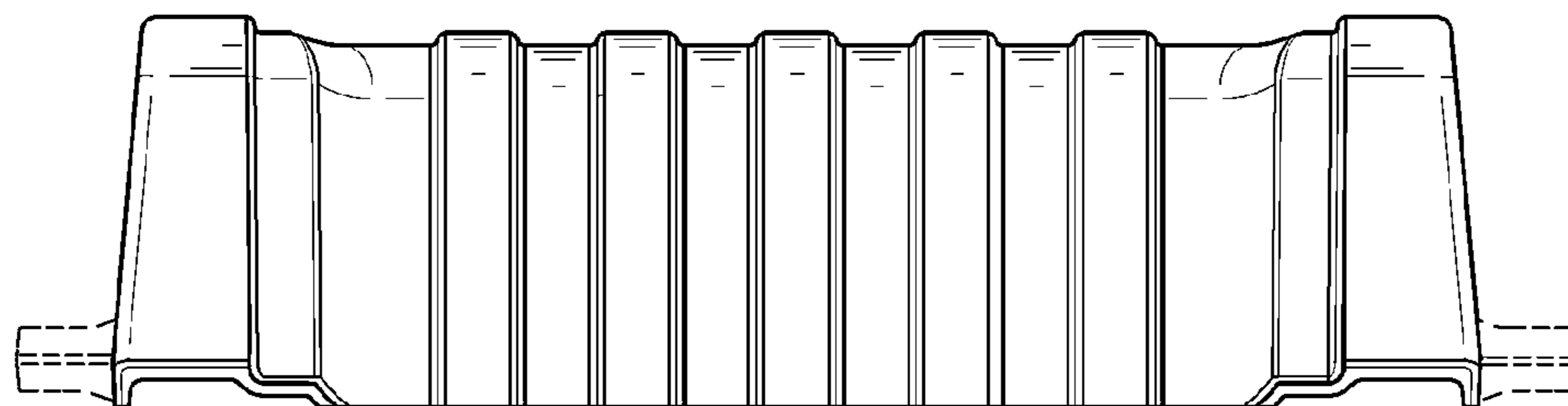


FIG. 3

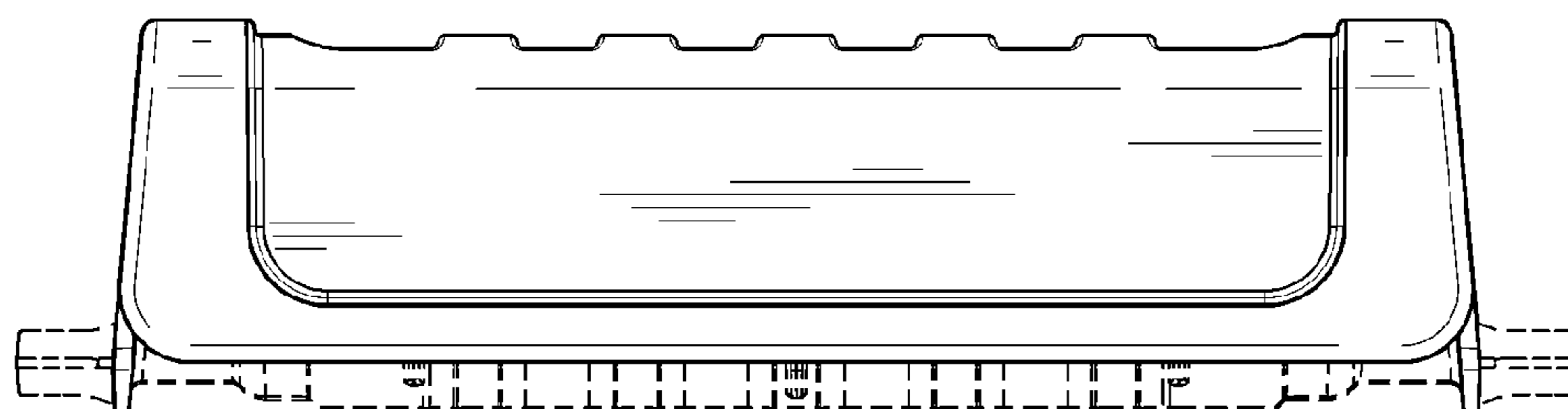


FIG. 4

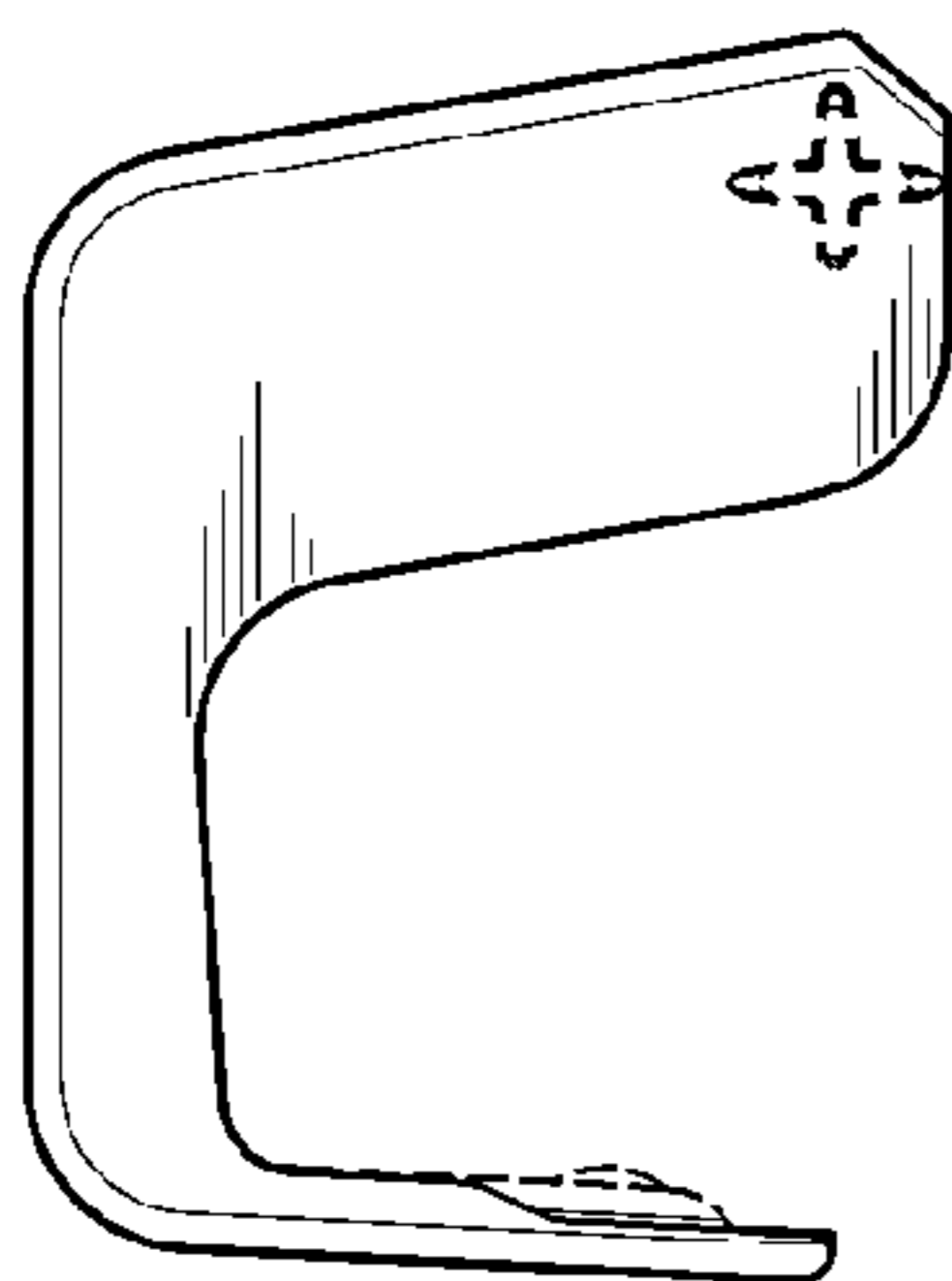


FIG. 5

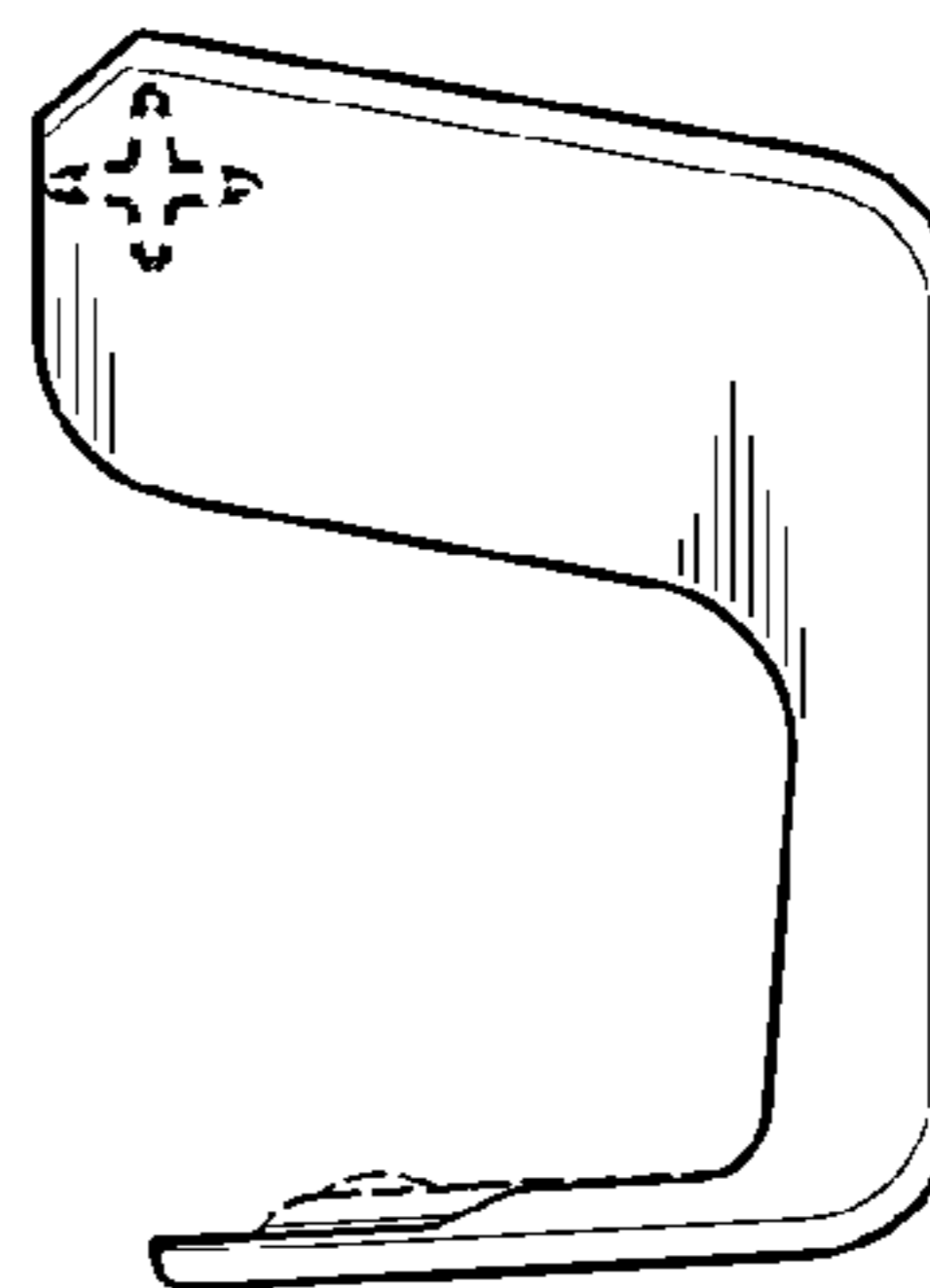
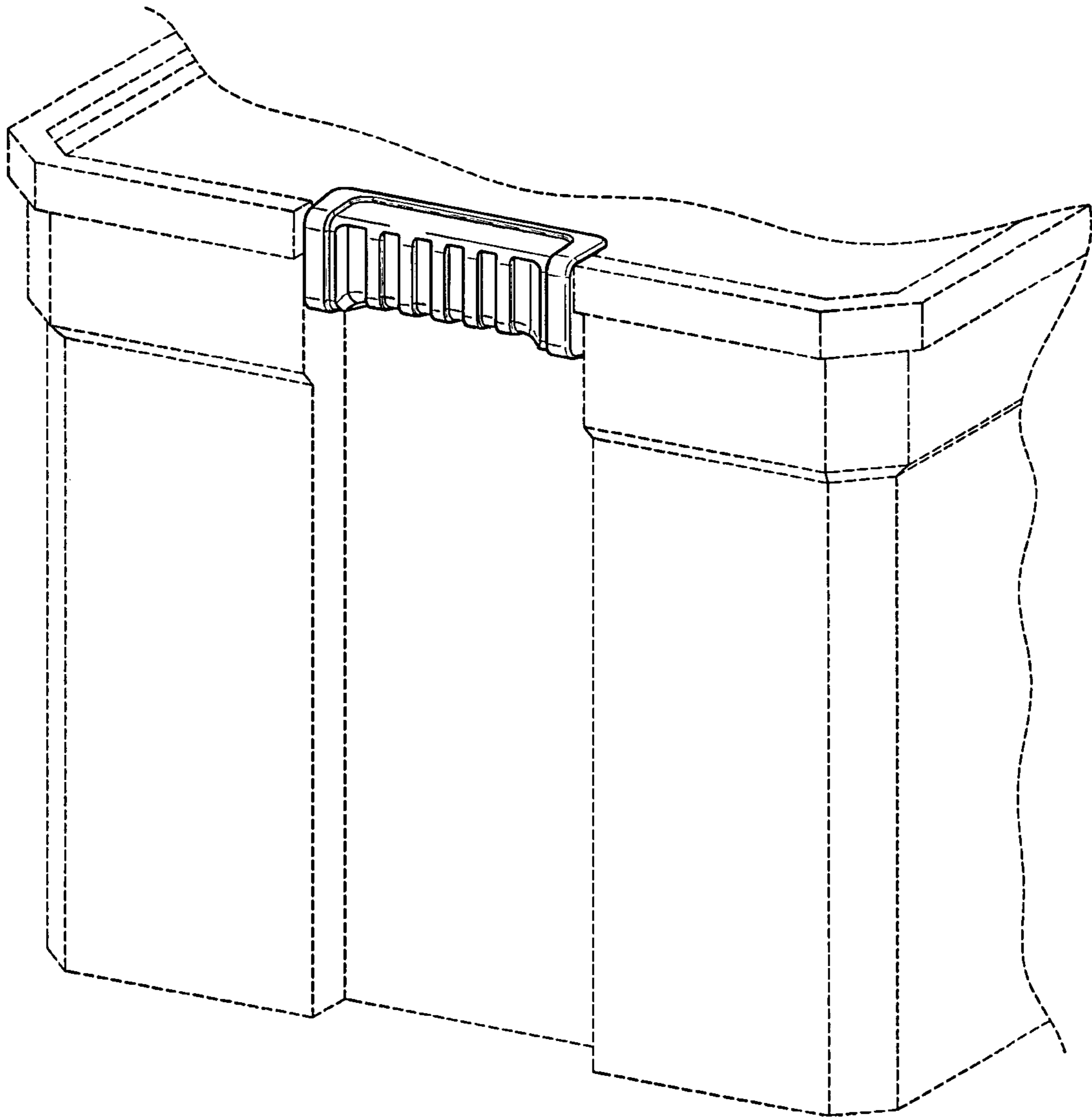


FIG. 6



**FIG. 7**