

US00D737571S

(12) **United States Design Patent**
Kostal et al.

(10) **Patent No.:** **US D737,571 S**

(45) **Date of Patent:** **** Sep. 1, 2015**

(54) **AMMUNITION MAGAZINE HOLSTER**

(71) Applicants: **Bretislav Kostal**, Prague (CZ);
Vladimir Kupa, Prague (CZ)

(72) Inventors: **Bretislav Kostal**, Prague (CZ);
Vladimir Kupa, Prague (CZ)

(**) Term: **14 Years**

(21) Appl. No.: **29/503,806**

(22) Filed: **Sep. 30, 2014**

(30) **Foreign Application Priority Data**

Apr. 10, 2014 (EM) 002445072-0001

(51) **LOC (10) Cl.** **03-01**

(52) **U.S. Cl.**
USPC **D3/262**

(58) **Field of Classification Search**
USPC D3/262
CPC A45C 3/06; A45C 1/024; A45C 3/08;
A45C 1/06

See application file for complete search history.

(56) **References Cited**

U.S. PATENT DOCUMENTS

D391,758 S * 3/1998 Wolf et al. D3/218
D537,624 S * 3/2007 Har-shen D3/222

* cited by examiner

Primary Examiner — Holly Baynham

(74) *Attorney, Agent, or Firm* — Collard & Roe, P.C.

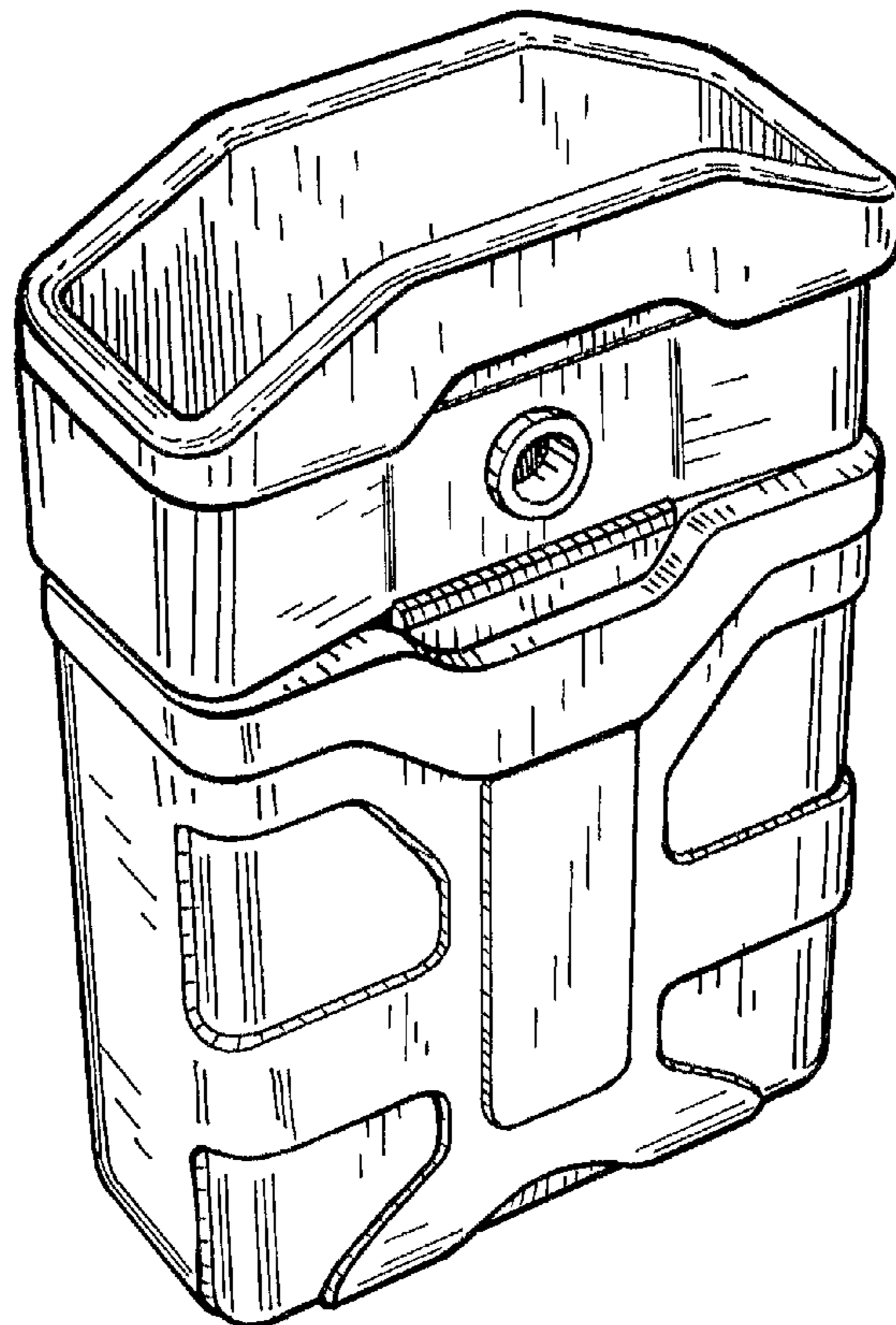
(57) **CLAIM**

The ornamental design for an ammunition magazine holster, as shown and described.

DESCRIPTION

FIG. 1 is a front perspective view of an ammunition magazine holster showing our new design;
FIG. 2 is a front elevation view thereof;
FIG. 3 is a rear elevation view thereof; and,
FIG. 4 is a side elevation view thereof.

1 Claim, 4 Drawing Sheets



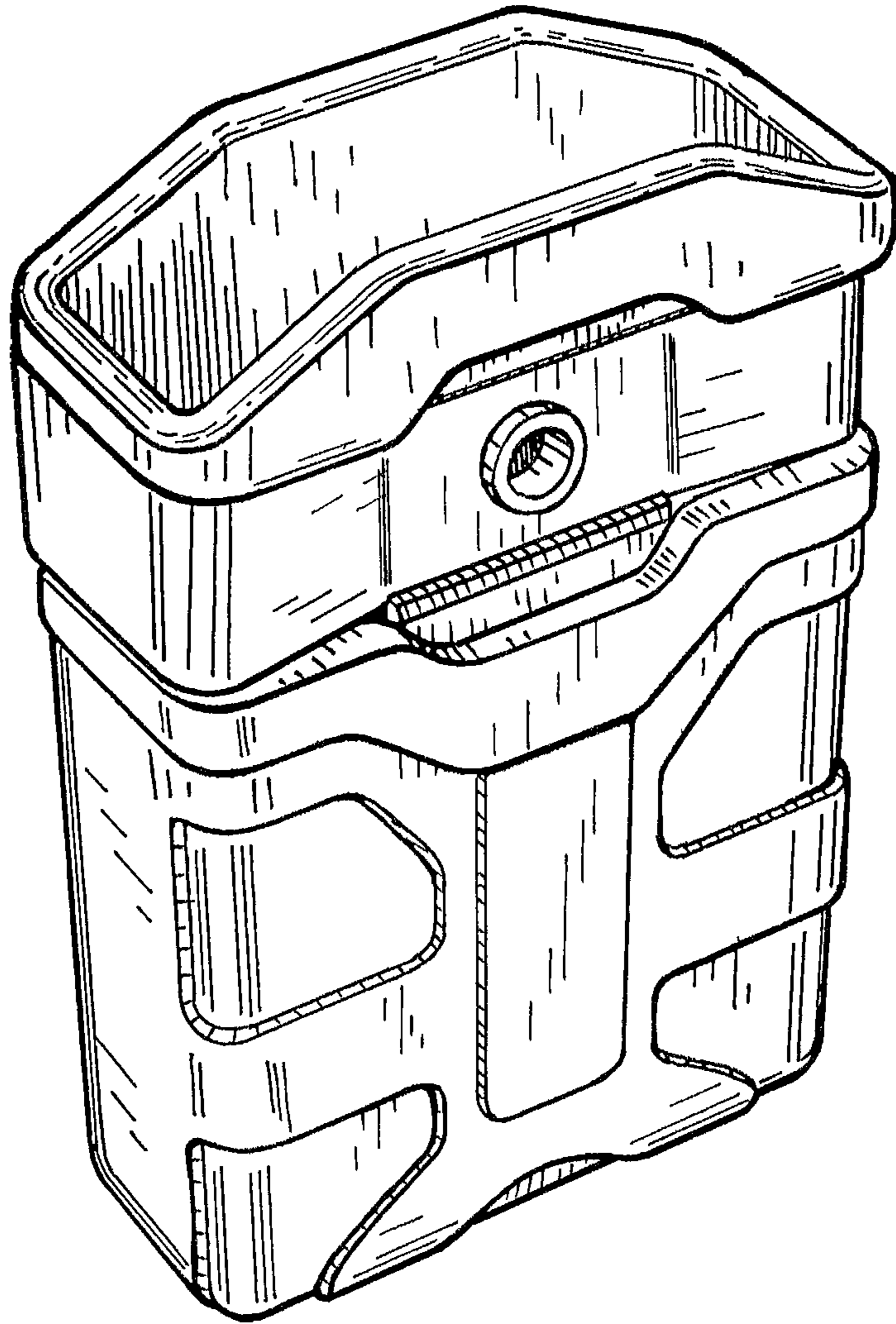


Fig. 1

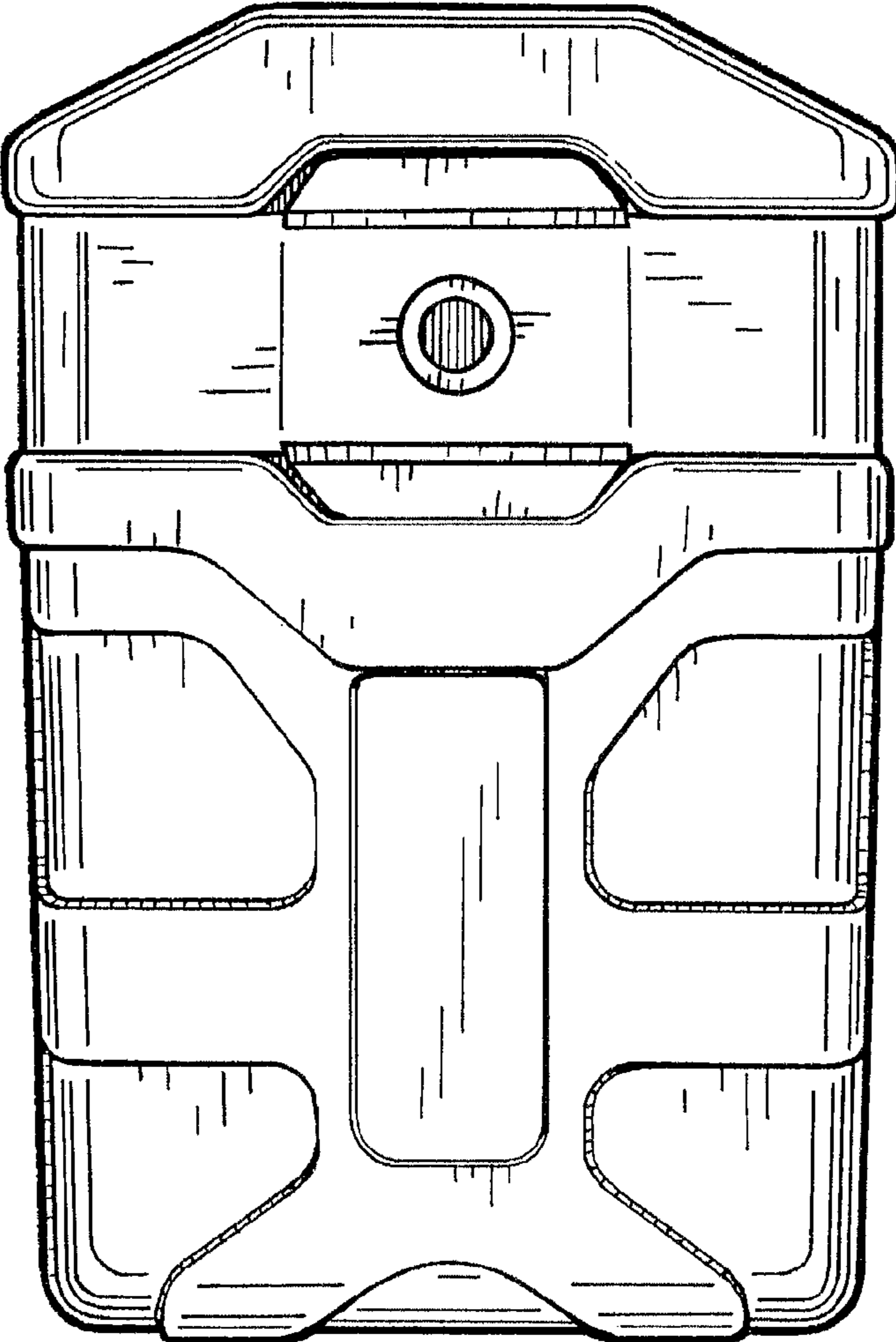


Fig. 2

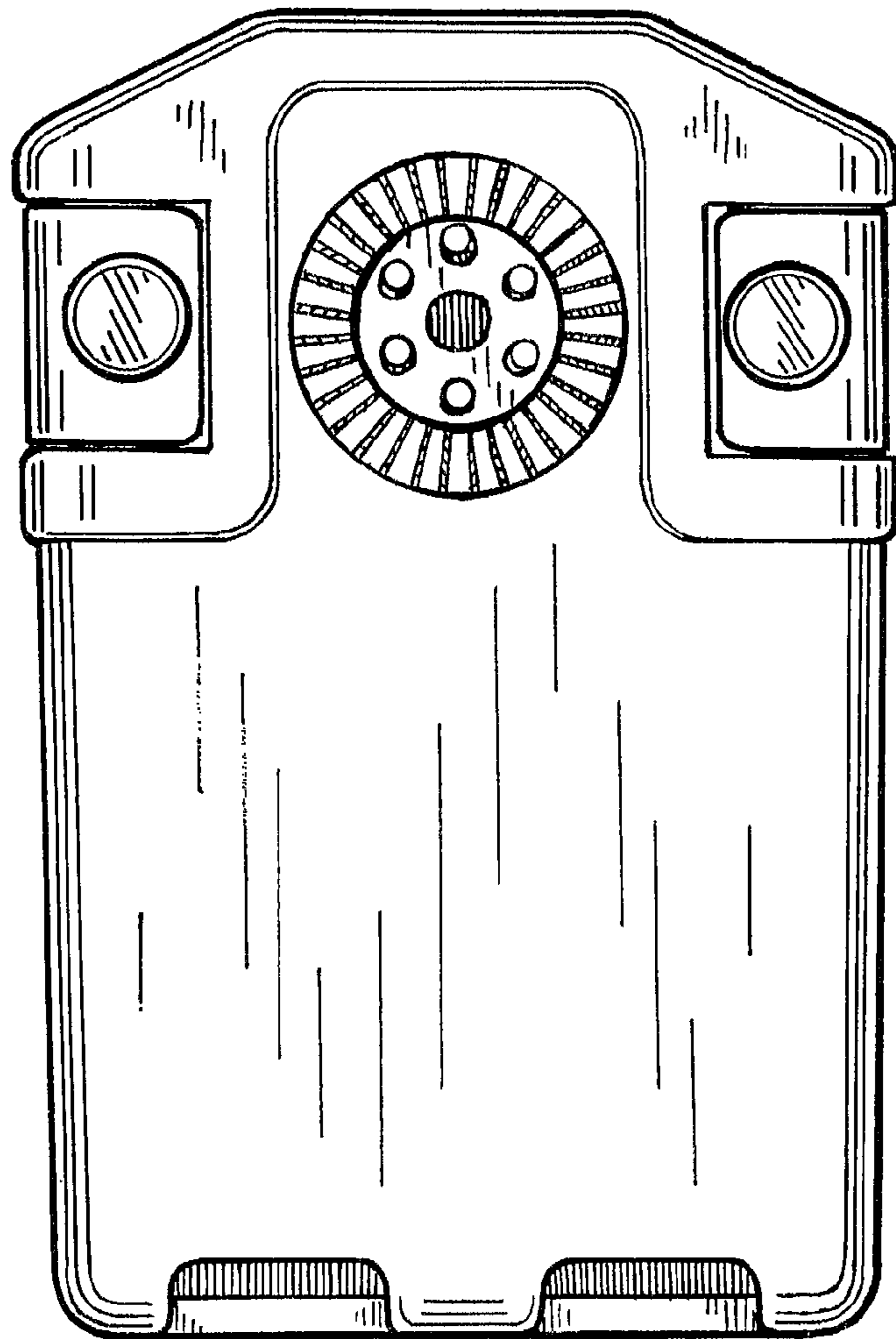


Fig. 3

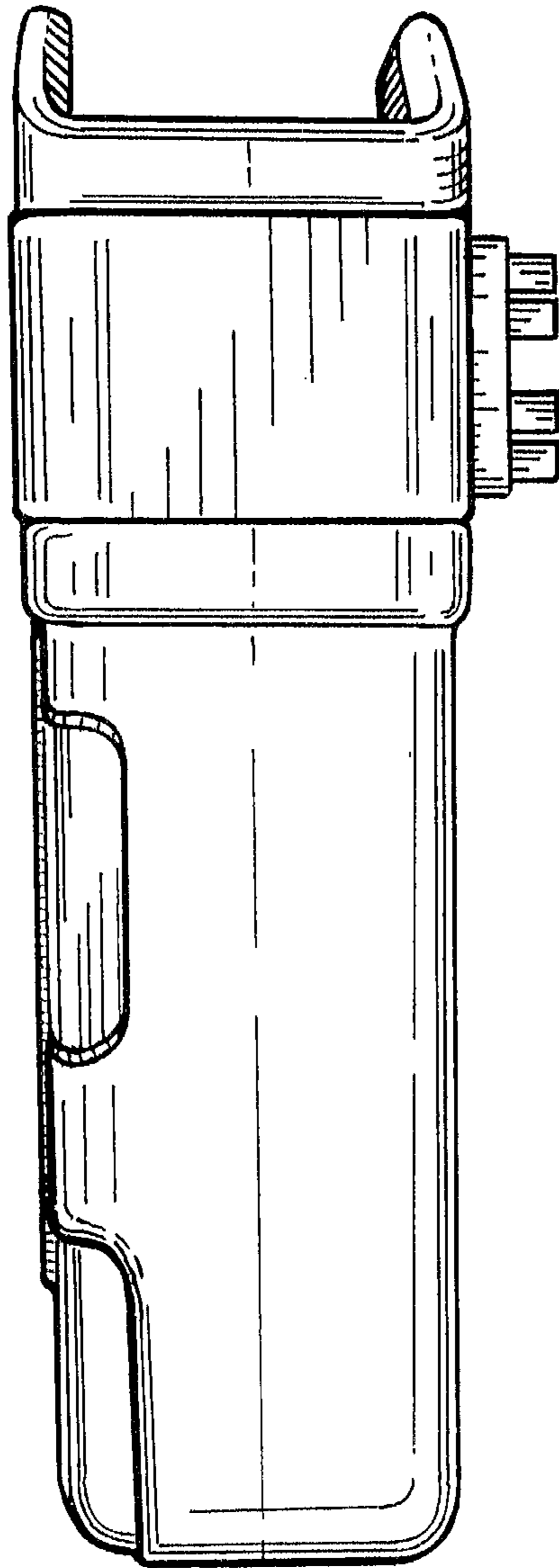


Fig. 4