



US00D737566S

(12) **United States Design Patent**
Gaddis

(10) **Patent No.:** **US D737,566 S**
(45) **Date of Patent:** **** Sep. 1, 2015**

(54) **RETAINER DEVICE**

(71) Applicant: **Brynetta Gaddis**, Meridianville, AL
(US)

(72) Inventor: **Brynetta Gaddis**, Meridianville, AL
(US)

(**) Term: **14 Years**

(21) Appl. No.: **29/458,412**

(22) Filed: **Jun. 19, 2013**

(51) **LOC (10) Cl.** **03-01**

(52) **U.S. Cl.**
USPC **D3/208**

(58) **Field of Classification Search**
USPC D11/1-2, 14, 26-29, 89-92, 44, 48, 81,
D11/99; 63/26-28, 32; D3/207-212; D8/16,
D8/38, 347, 348; 70/456 B, 457, 458,
70/456 R; 206/37.1, 37; D14/434, 435,
D14/435.1, 436, 439, 480.3, 480.1, 480.5,
D14/480.7; D24/174, 173, 480.3
CPC A45C 11/32; A47G 29/10
See application file for complete search history.

(56) **References Cited**

U.S. PATENT DOCUMENTS

2,117,516	A *	5/1938	Skidelsky	206/0.8
2,297,285	A *	9/1942	Bledsoe	40/634
D221,118	S *	7/1971	Chambers	D20/22
3,682,216	A	8/1972	Nelson		
3,908,418	A *	9/1975	Stoffel	70/456 R
3,978,902	A	9/1976	Adkison		
4,358,944	A *	11/1982	Stoffel	70/457
4,432,219	A	2/1984	Bassett		
4,789,573	A *	12/1988	Jenkinson	428/28
4,939,917	A *	7/1990	Cartwright	70/456 R
4,940,250	A	7/1990	Corrado		
5,024,078	A	6/1991	Fenwick		
5,040,394	A *	8/1991	Wang	70/457
5,183,153	A *	2/1993	Linn	206/232
5,197,316	A *	3/1993	Gottlieb et al.	70/456 R

5,388,439	A	2/1995	Miller		
6,273,245	B1	8/2001	Mickelson		
6,571,997	B2	6/2003	Dedrick		
7,481,255	B1	1/2009	Rees		
D622,955	S *	9/2010	Mudrick et al.	D3/208

(Continued)

OTHER PUBLICATIONS

Magnetic Key Finder—Cupcake; retrieved from <http://www.organize.com/bonjour-trade-magnetic-key-finder-cupcake.html> description: Can't find your keys in your urse? With the Bonjour Magnetic Key Finder, finding your keys is not a problem.

Primary Examiner — Ralf Seifert

(74) *Attorney, Agent, or Firm* — Ann I. Dennen; Lanier Ford Shaver & Payne P.C.

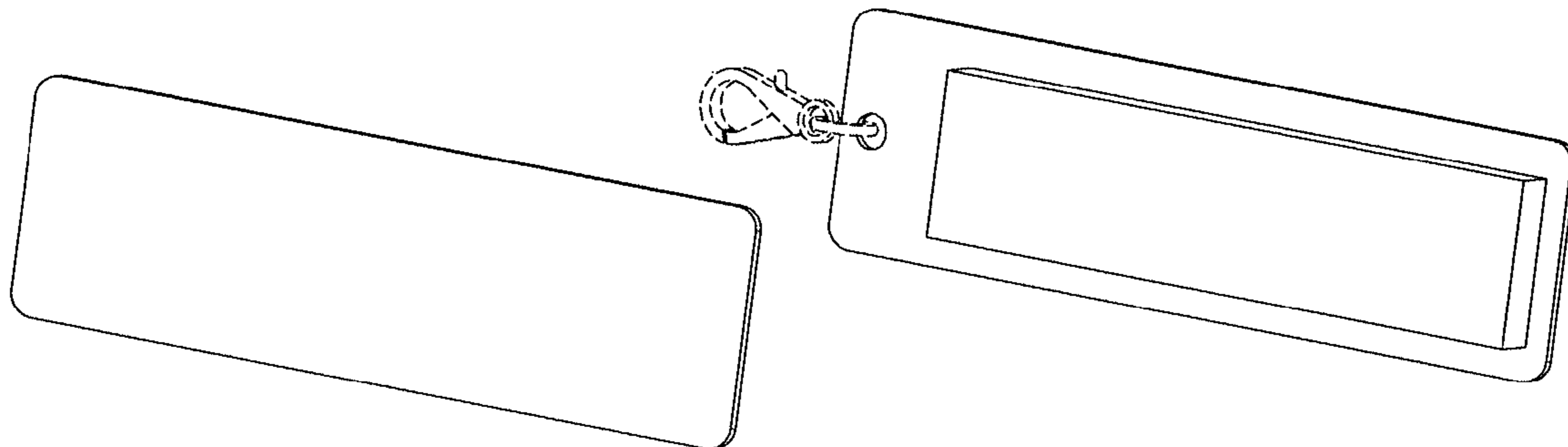
(57) **CLAIM**

I claim the ornamental design for a retainer device, as shown and described.

DESCRIPTION

FIG. 1 is an exploded front perspective view of a retainer device showing my new design;
FIG. 2 is an unexploded front perspective view;
FIG. 3 is an exploded back perspective view;
FIG. 4 is an unexploded back perspective view;
FIG. 5 is a front plan view;
FIG. 6 is a back plan view;
FIG. 7 is a side plan view;
FIG. 8 is a side plan view opposing the side depicted in FIG. 7;
FIG. 9 is an end plan view, shown without the broken line attachment fitting; and,
FIG. 10 is an end plan view of the side opposing the side depicted in FIG. 9, also shown without the broken line attachment fitting.
The broken lines in the drawings are environmental lines, which do not form part of the claimed design.

1 Claim, 3 Drawing Sheets



US D737,566 S

Page 2

(56)

References Cited

U.S. PATENT DOCUMENTS

D627,962 S * 11/2010 Mudrick D3/208
7,849,721 B2 * 12/2010 Bass et al. 70/408

7,857,022 B2 * 12/2010 Kraml 150/149
7,930,918 B2 * 4/2011 Bashan et al. 70/456 R
2008/0142129 A1 6/2008 Reasner et al.
2010/0284631 A1 11/2010 Lee

* cited by examiner

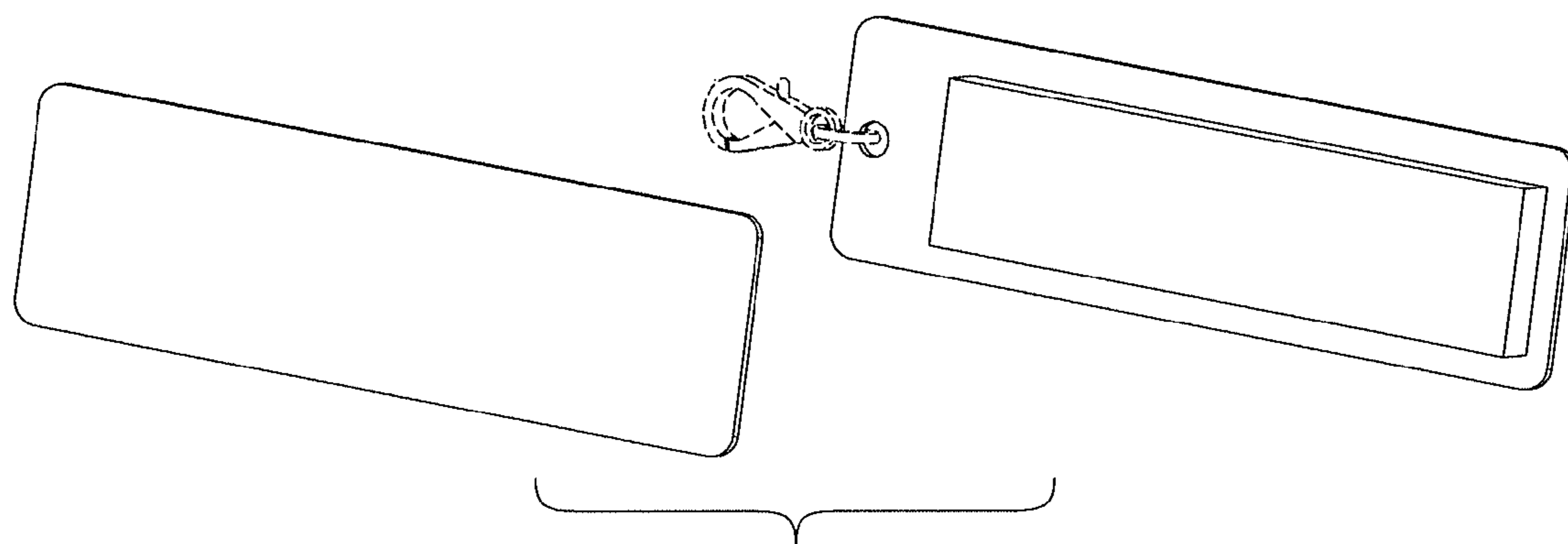


FIG. 1

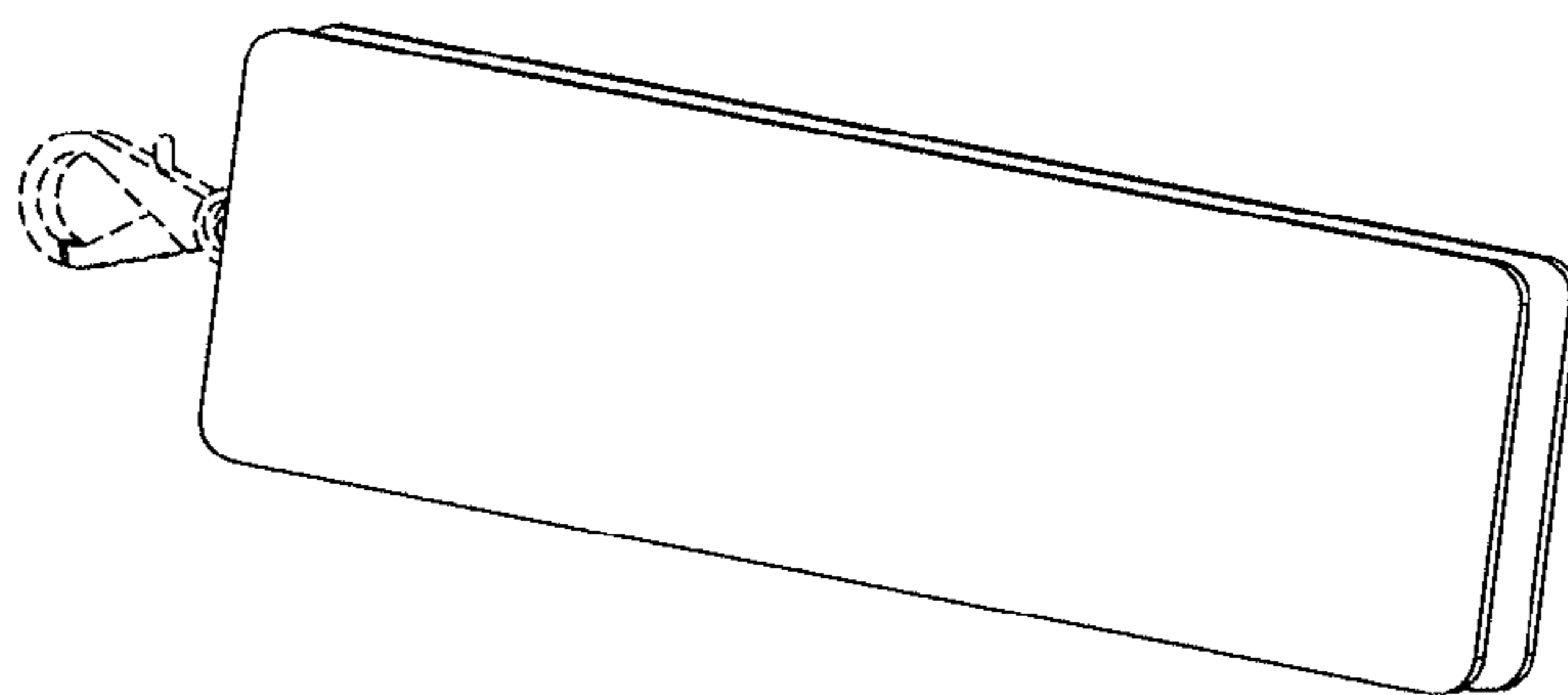


FIG. 2

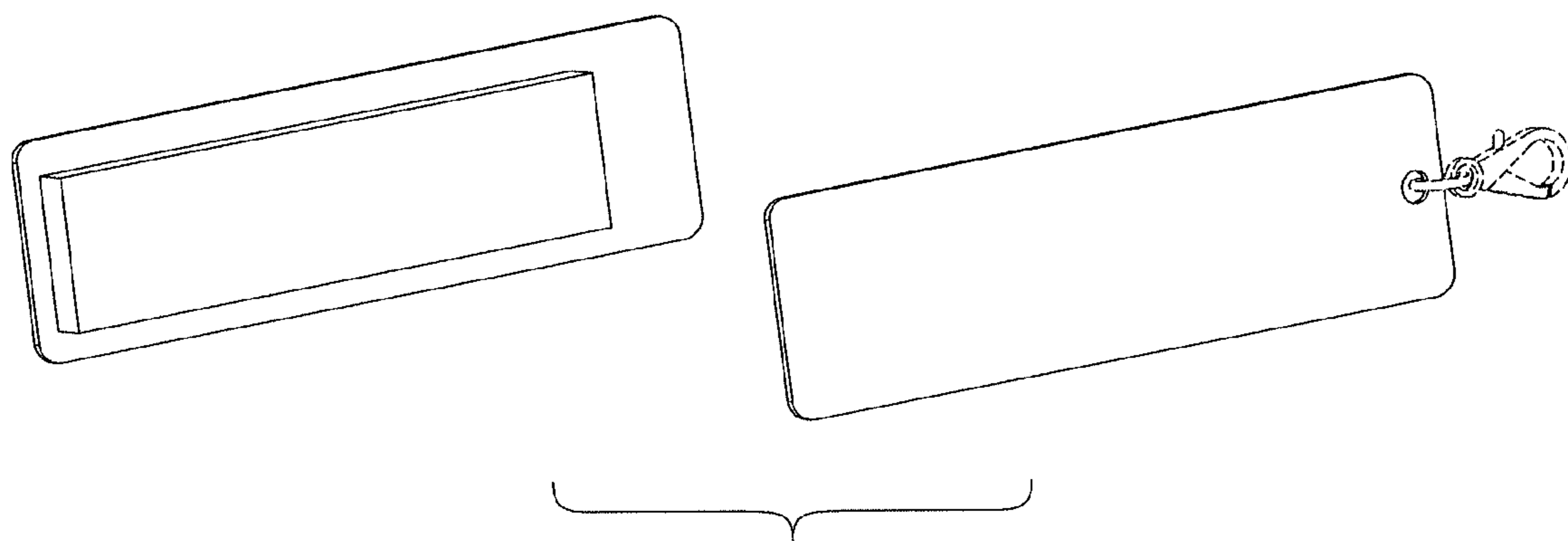


FIG. 3

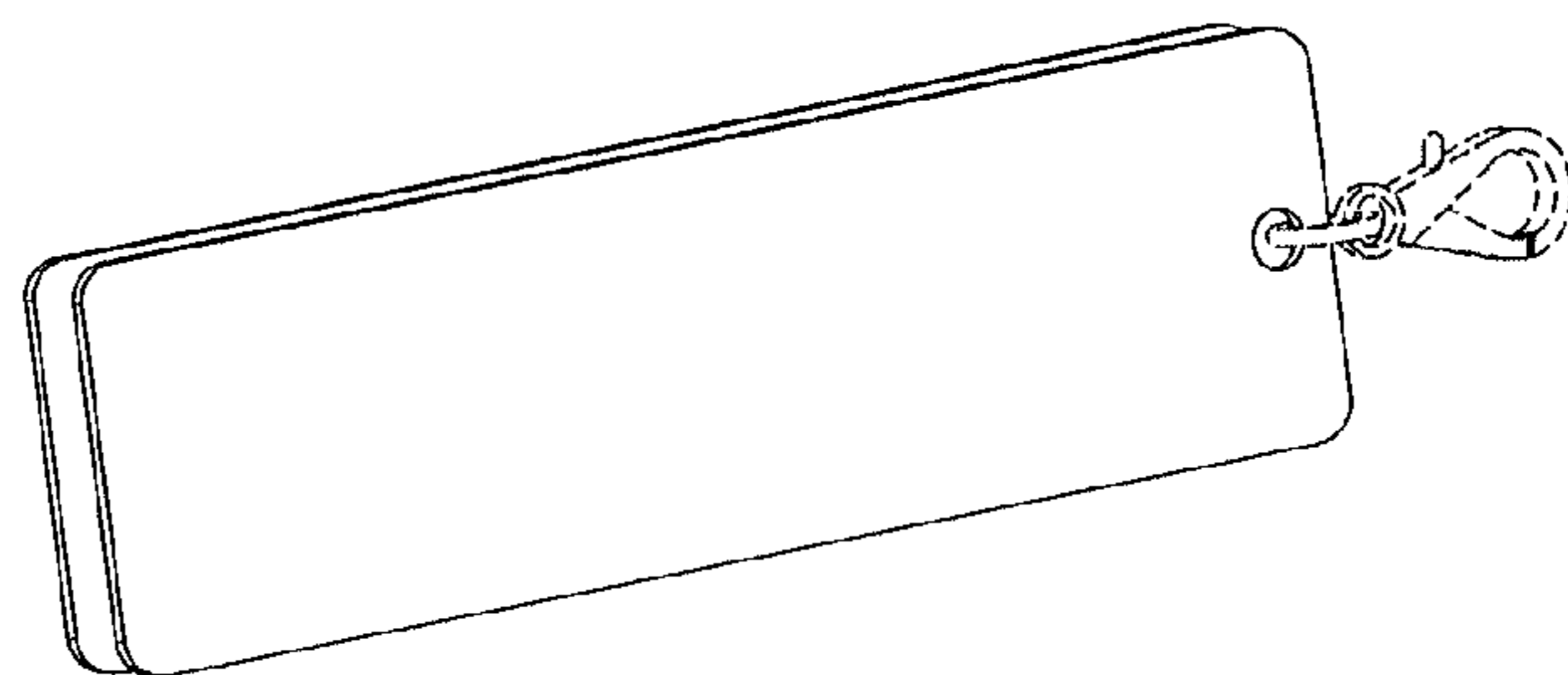


FIG. 4

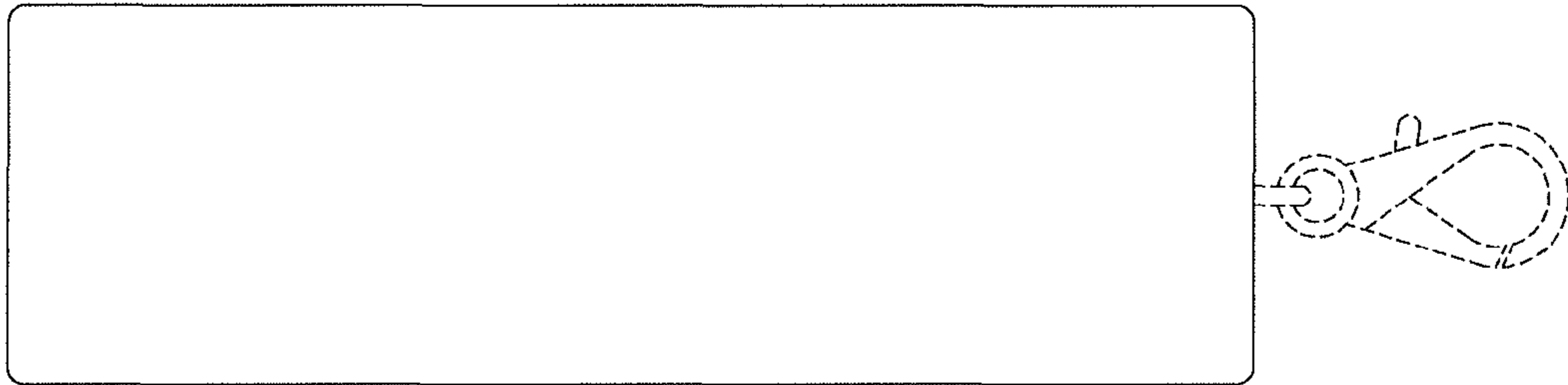


FIG. 5

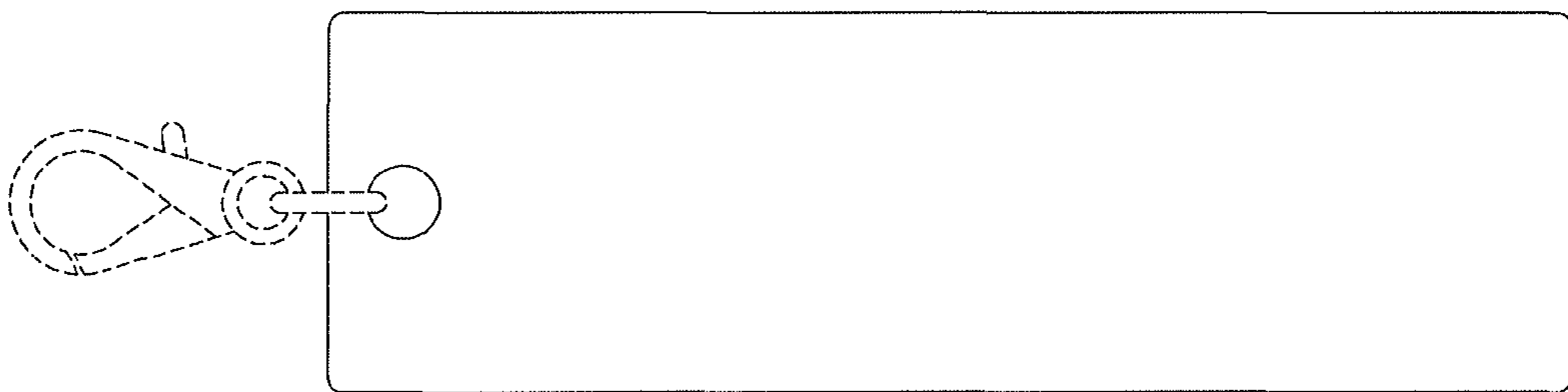


FIG. 6

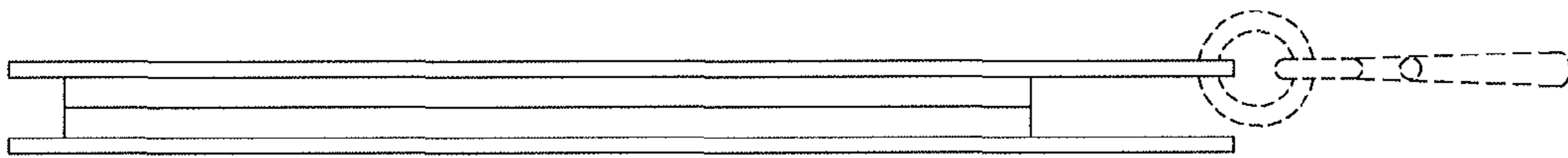


FIG. 7

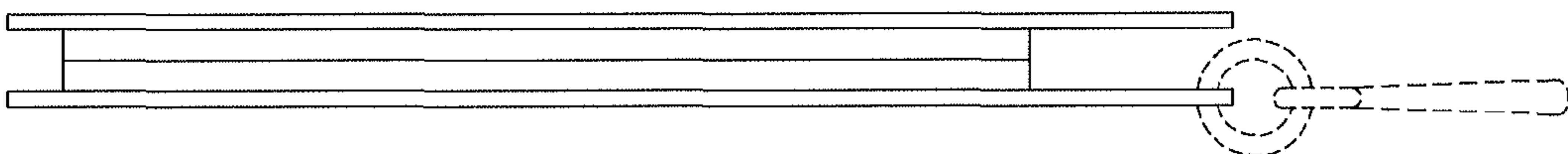


FIG. 8

FIG. 9



FIG. 10

