



US00D737565S

(12) **United States Design Patent**  
**Di Cesare**

(10) **Patent No.:** **US D737,565 S**  
(45) **Date of Patent:** **\*\* Sep. 1, 2015**

(54) **UMBRELLA**

(71) Applicant: **John David Di Cesare**, Itabashi-ku (JP)

(72) Inventor: **John David Di Cesare**, Itabashi-ku (JP)

(\*\*) Term: **14 Years**

(21) Appl. No.: **29/435,036**

(22) Filed: **Oct. 18, 2012**

(30) **Foreign Application Priority Data**

Apr. 20, 2012 (JP) ..... 2012-011089

(51) **LOC (10) Cl.** ..... **03-03**

(52) **U.S. Cl.**  
USPC ..... **D3/5**

(58) **Field of Classification Search**  
USPC ..... D3/5, 6, 10, 11, 12; D21/834, 835, 837;  
D25/19, 32, 56; D30/199; 135/20.1,  
135/27, 28, 33.2, 97, 99; 315/291  
CPC ..... A45B 11/00; A45B 23/00  
See application file for complete search history.

(56) **References Cited**

**U.S. PATENT DOCUMENTS**

5,234,011	A *	8/1993	Lynch	135/99
D347,875	S *	6/1994	Dalland	D21/837
D383,187	S *	9/1997	Dalland	D21/837
D461,305	S *	8/2002	Clarke et al.	D3/5
D475,524	S *	6/2003	Clarke	D3/5
D478,416	S *	8/2003	Clarke	D3/5
D491,348	S *	6/2004	Clarke	D3/5
D491,720	S *	6/2004	Clarke	D3/5
D497,478	S *	10/2004	Clarke	D3/5
D543,255	S *	5/2007	Lerner et al.	D21/837
D559,528	S *	1/2008	Clarke	D3/10
D591,821	S *	5/2009	Dalland et al.	D21/837

**FOREIGN PATENT DOCUMENTS**

EM	000872056-0012	*	1/2008
EM	001074603-0003	*	2/2009
EM	001298624-0001	*	10/2011

**OTHER PUBLICATIONS**

Knirps Folding Travel: announced Dec. 1, 2010 [online], [site visited Nov. 20, 2014]. Available from Internet URL:<www.knirps.com/enthe-company/technology.\*

Barrister Custom Umbrella: announced May 7, 2012 [online], [site visited Nov. 20, 2014]. Available from Internet URL:<www.promodirect.com/44--barrister-custom-umbrella-16564-cp15433.\*

Westcott Umbrella\_Collapsible Optical White: announced Feb. 8, 2011 [online], [site visited Nov. 20, 2014]. Available from Internet URL:<http://www.bhphotovideo.com/c/product/63314-REG/Westcott\_2001\_Collapsible\_Umbrella\_Optical.html.\*

\* cited by examiner

*Primary Examiner* — Thomas Johannes

*Assistant Examiner* — Catherine Posthauer

(74) *Attorney, Agent, or Firm* — Lucas & Mercanti, LLP

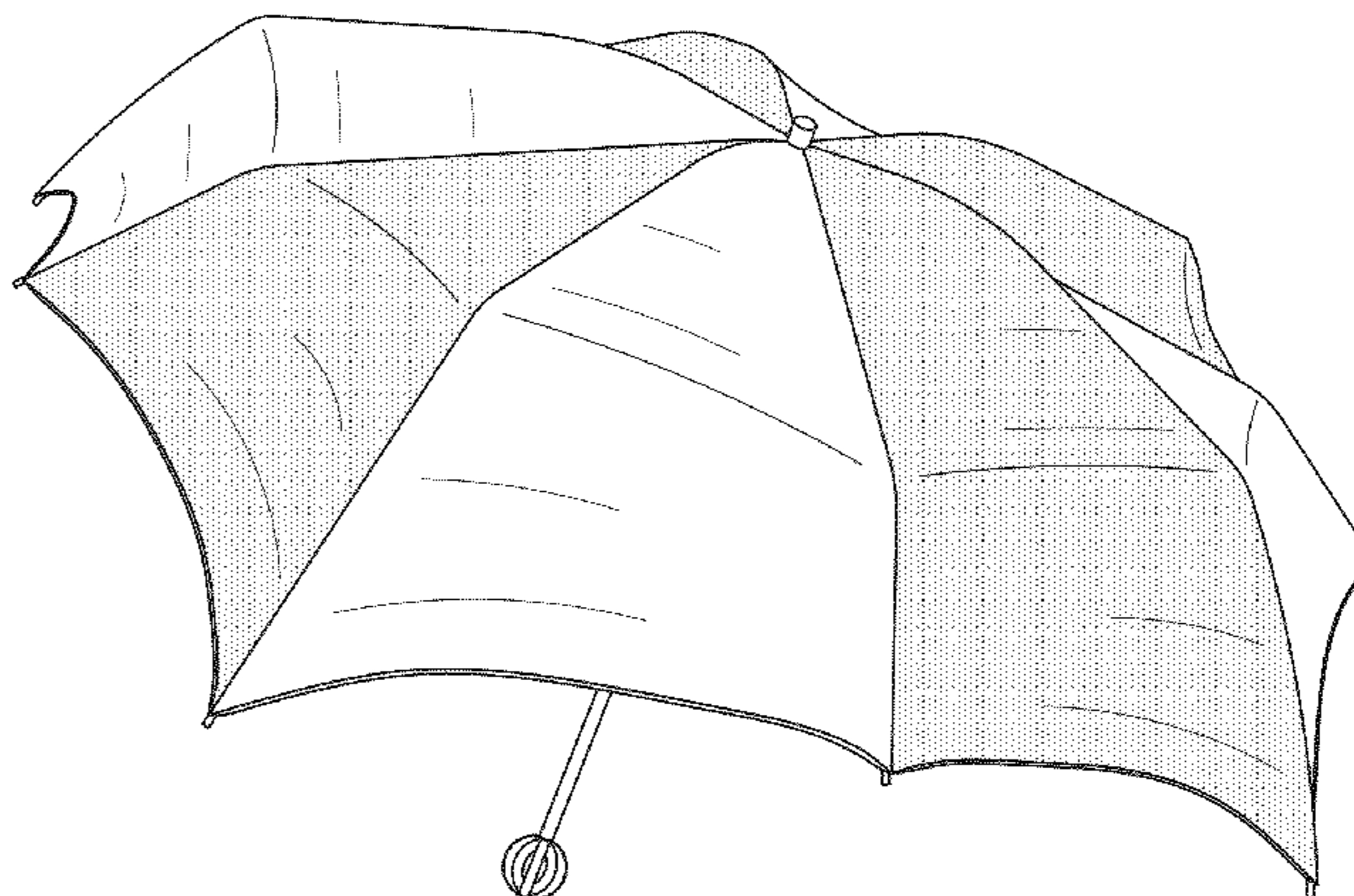
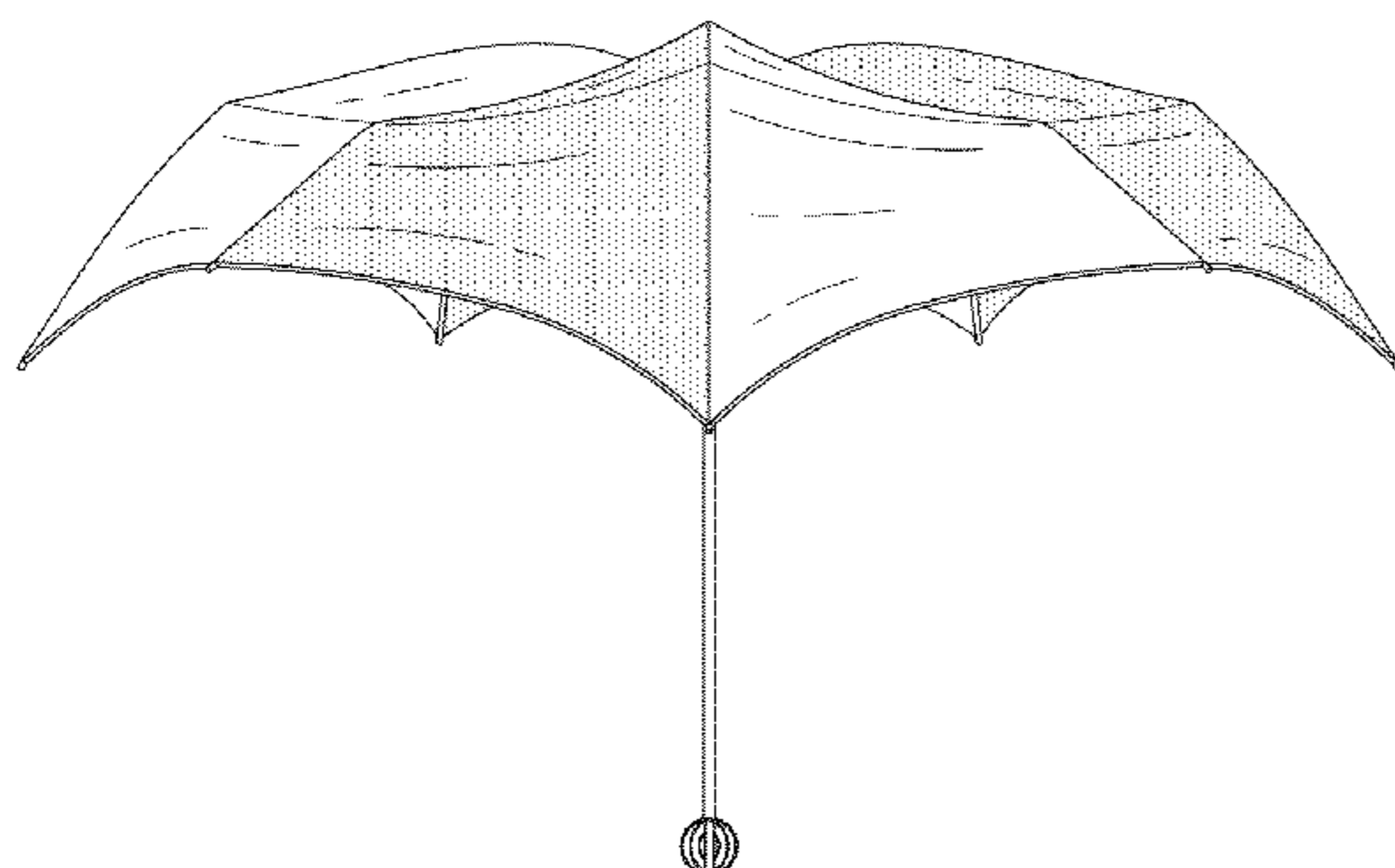
(57) **CLAIM**

The ornamental design for an umbrella, as shown and described.

**DESCRIPTION**

FIG. 1 is a front view showing the umbrella;  
FIG. 2 is a back view of the umbrella;  
FIG. 3 is a right side view of the umbrella;  
FIG. 4 is a left side view of the umbrella;  
FIG. 5 is a top view of the umbrella;  
FIG. 6 is a bottom view of the umbrella; and,  
FIG. 7 is a perspective view of the umbrella.  
The broken lines on the drawings are shown for the purpose of illustrating unclaimed portions of the umbrella and form no part of the claimed design.

**1 Claim, 4 Drawing Sheets**



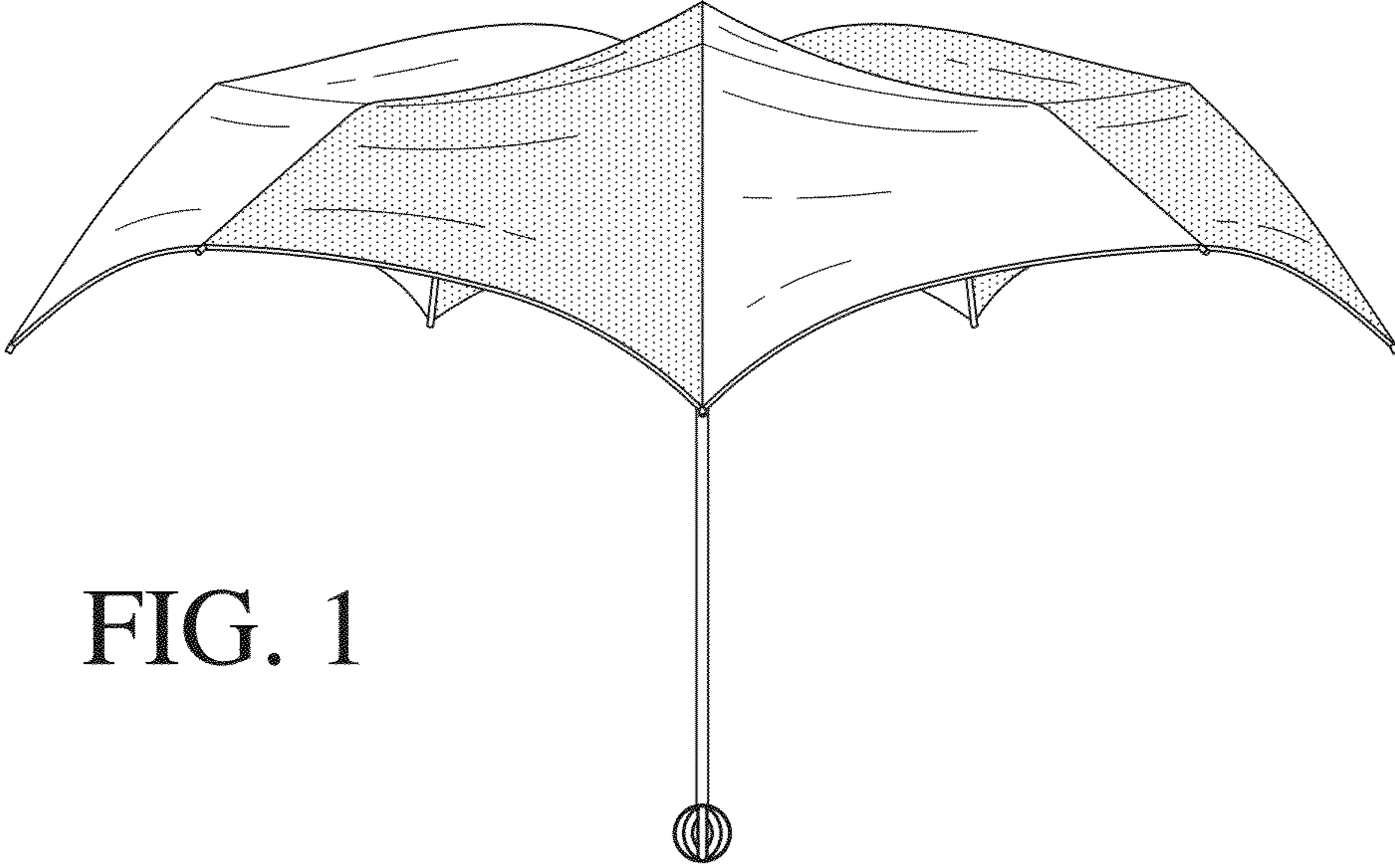


FIG. 1

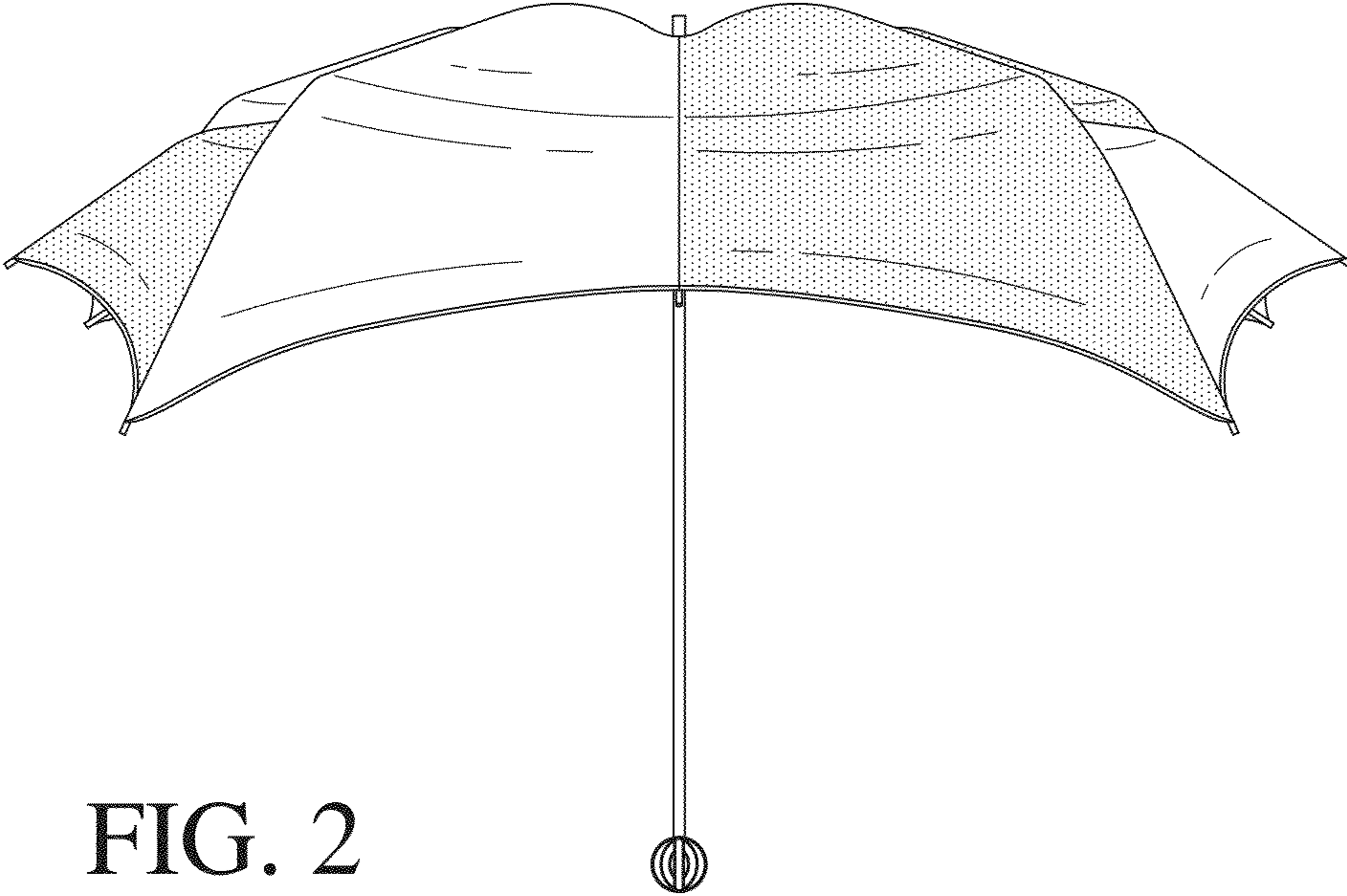


FIG. 2

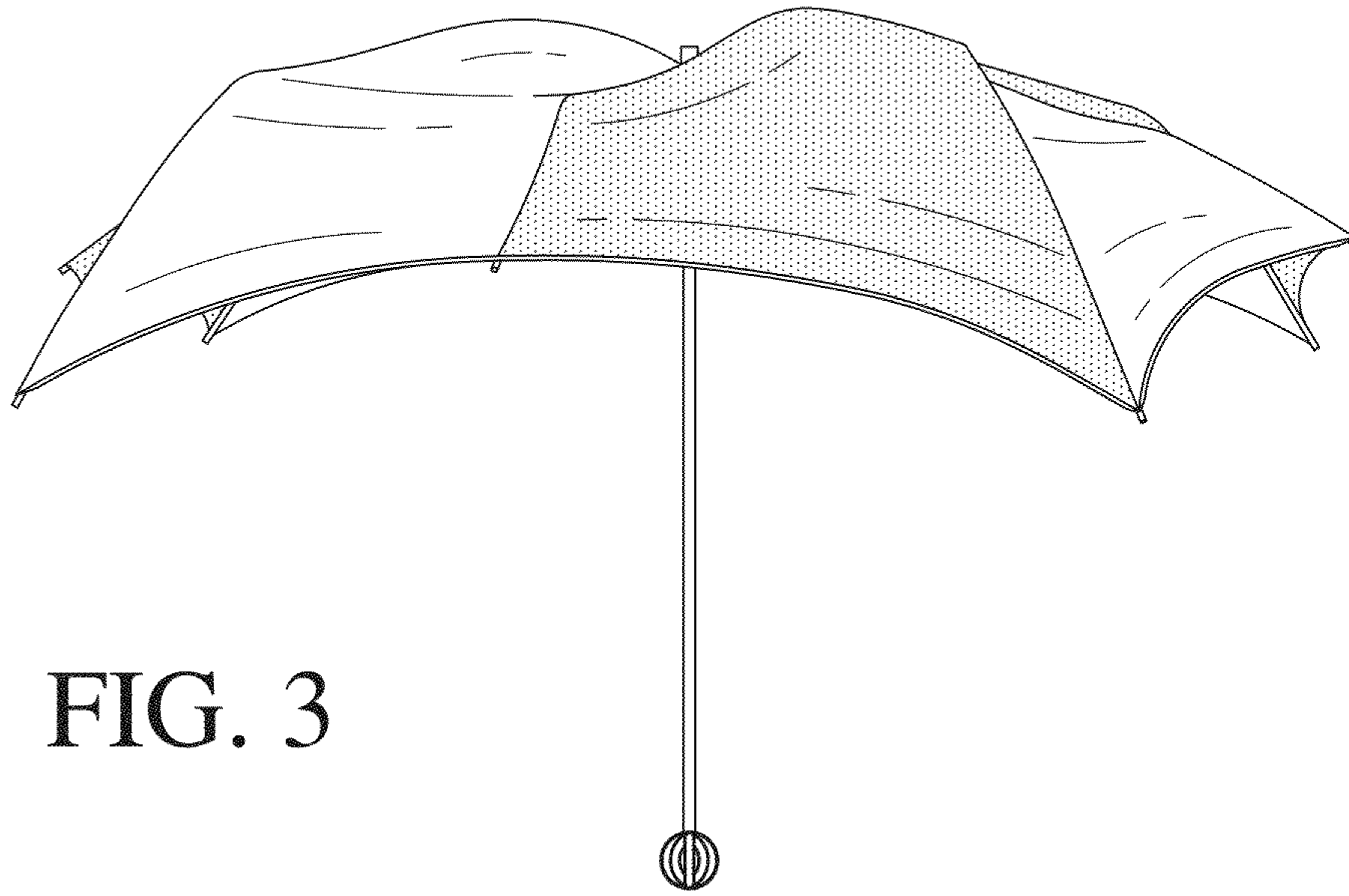


FIG. 3

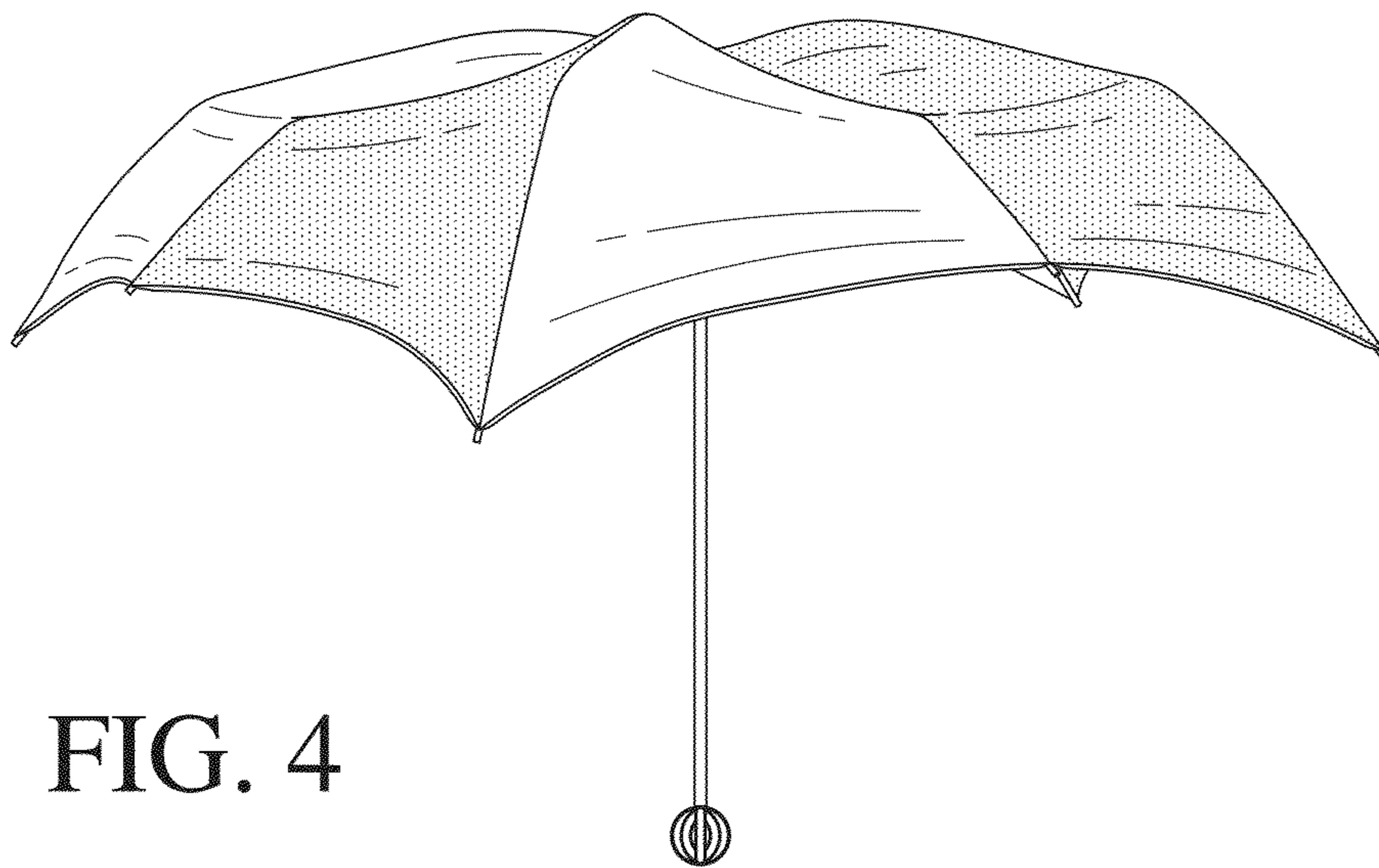


FIG. 4

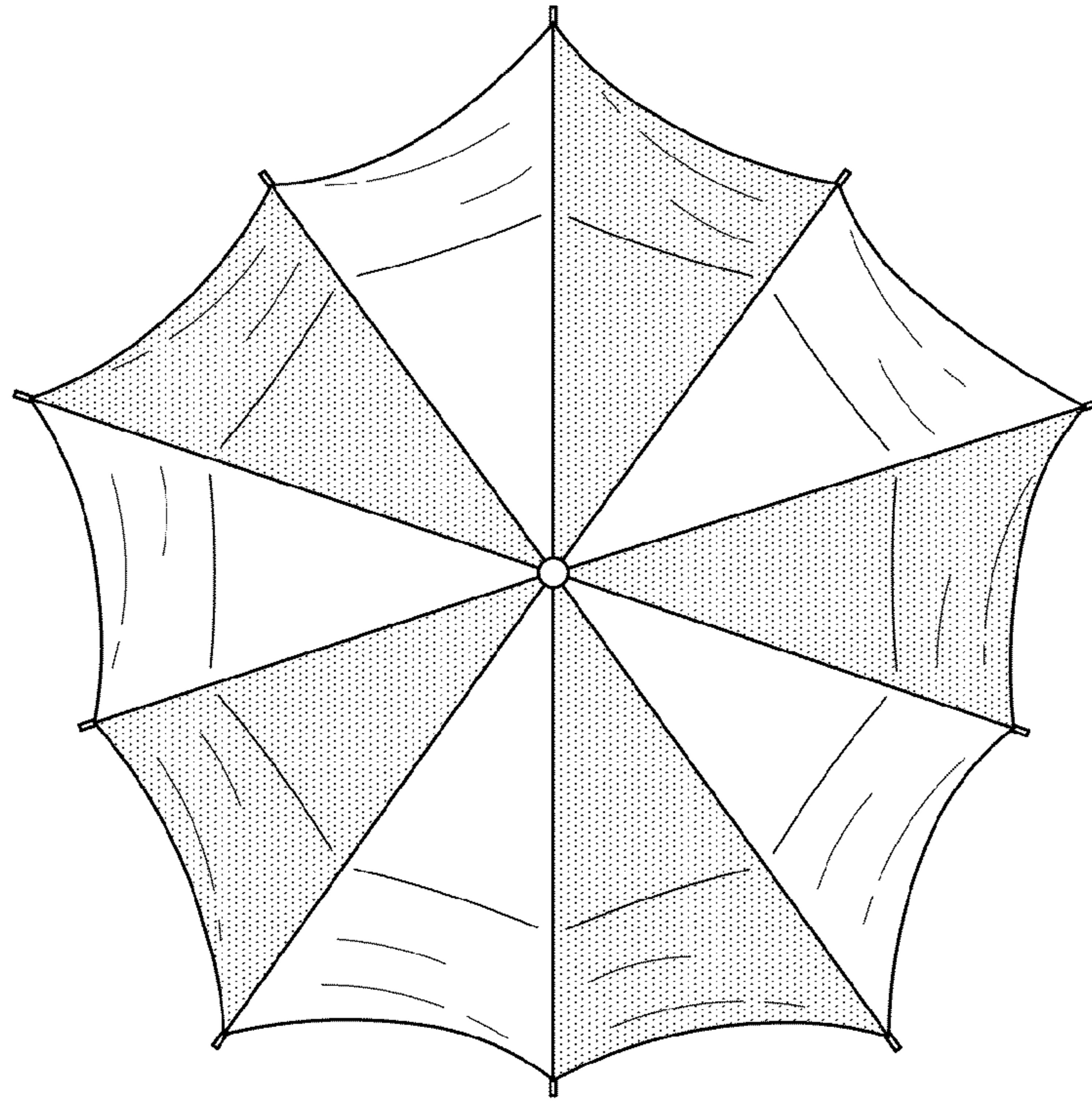


FIG. 5

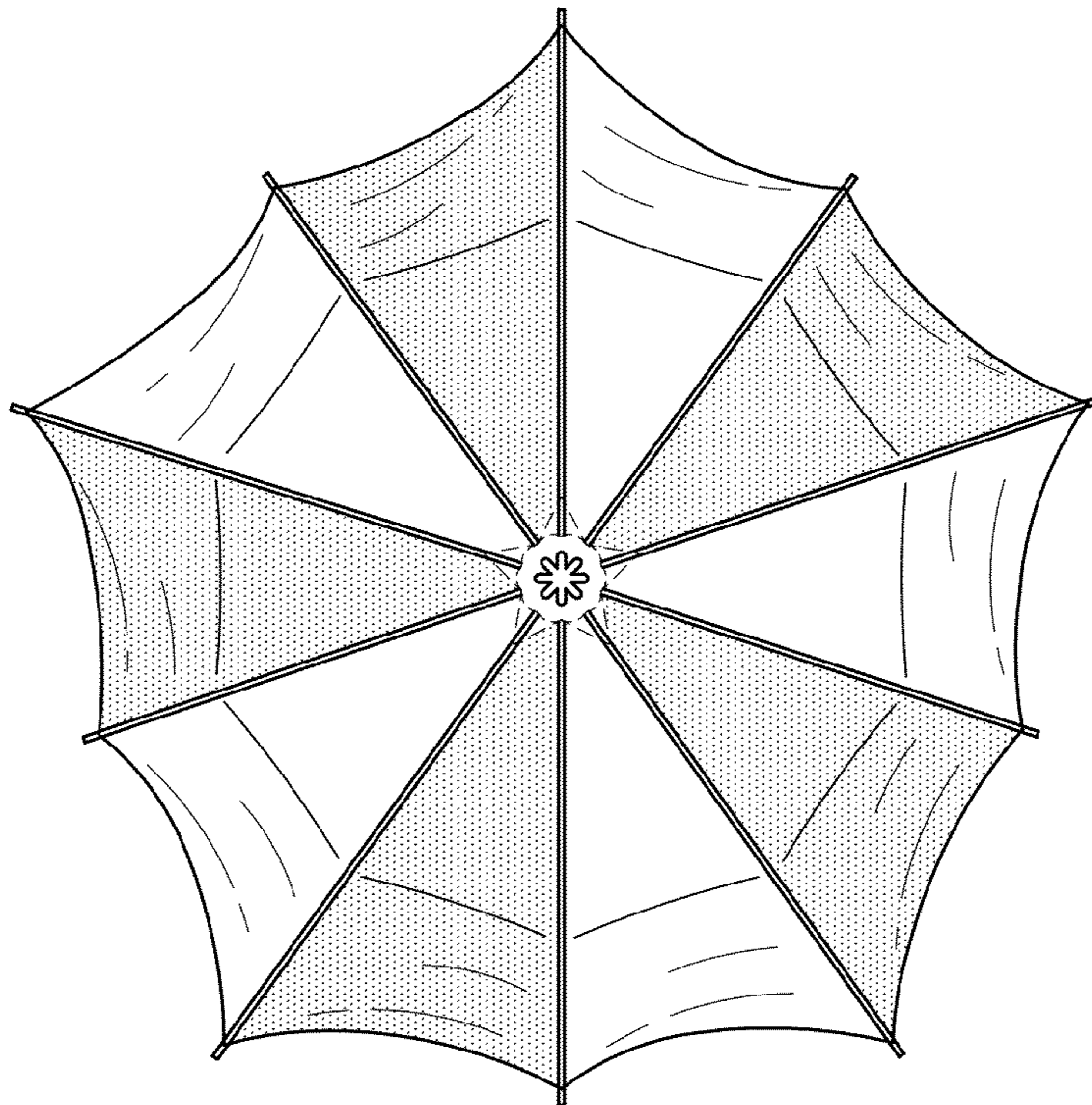


FIG. 6

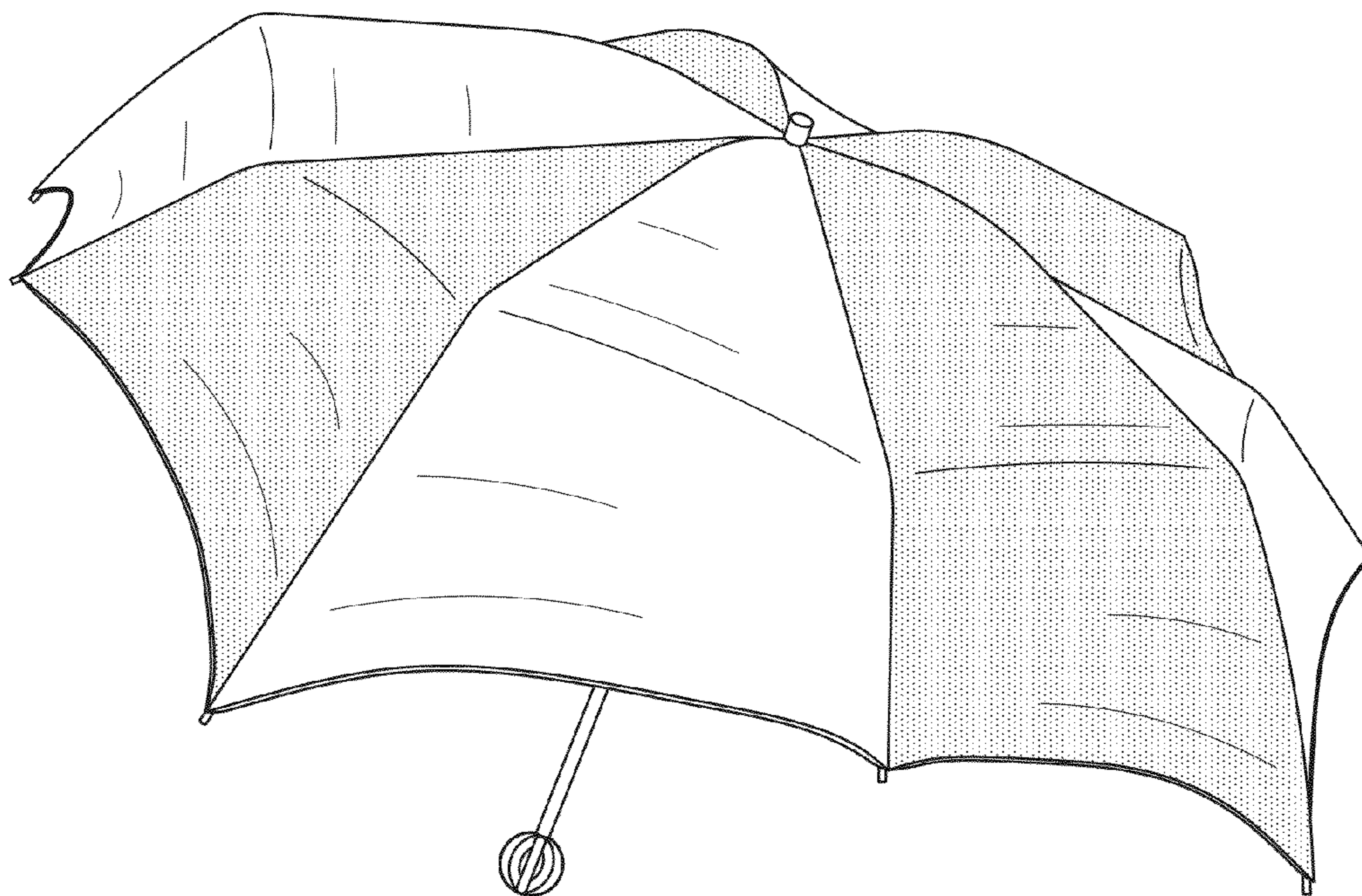


FIG. 7