



US00D737564S

(12) **United States Design Patent**  
**Hamilton et al.**

(10) **Patent No.:** **US D737,564 S**  
(45) **Date of Patent:** **\*\* Sep. 1, 2015**

- (54) **NOVELTY CLIP FOR ATTACHMENT TO SHOELACE**
- (71) Applicants: **Matthew Hamilton**, East Jordan, MI (US); **Derek Malpass**, Charlevoix, MI (US)
- (72) Inventors: **Matthew Hamilton**, East Jordan, MI (US); **Derek Malpass**, Charlevoix, MI (US)
- (\*\*) Term: **14 Years**
- (21) Appl. No.: **29/499,955**
- (22) Filed: **Aug. 20, 2014**
- (51) **LOC (10) Cl.** ..... **02-07**
- (52) **U.S. Cl.**  
USPC ..... **D2/976**
- (58) **Field of Classification Search**  
USPC ..... D2/896, 946, 976, 978, 943, 944, 945, D2/969, 975; 36/83, 136, 137, 45, 46.5, 36/50.1, 54, 88; D11/200, 201, 203, 206, D11/86, 87, 88, 40, 46, 78.1, 95; 24/3.1, 24/307, 316, 326  
CPC ..... A43B 3/0078; A43B 3/0084; A43B 3/00; A43B 23/24; A43B 23/25; A43B 23/26; A43B 23/00; A43B 23/02; A43B 23/0205; A43B 1/00; A43C 1/00; A43C 1/003; A43C 1/006; A43C 1/02; A43C 1/04; A43C 1/06; A43C 3/00; A43C 7/00; A43C 7/005; A43C 7/02; A43C 7/04; A43C 7/06; A43C 7/08; A43C 11/00; A43C 11/14; A43C 11/20; A43C 11/22; A43C 11/24  
See application file for complete search history.

(56) **References Cited**

**U.S. PATENT DOCUMENTS**

- 302,799 A \* 7/1884 Thomson ..... 24/69 SK
- D53,751 S \* 8/1919 Rivelis ..... D2/976
- 1,333,466 A \* 3/1920 Colby ..... 2/245
- D363,453 S \* 10/1995 Herdt ..... D11/78.1
- D401,934 S \* 12/1998 Wicks ..... D14/191
- D404,770 S \* 1/1999 Meade et al. .... D20/24

- D406,177 S \* 2/1999 Milroy ..... D20/27
- 6,729,058 B2 \* 5/2004 Ferguson ..... 40/636
- D548,432 S \* 8/2007 Martin ..... D2/946
- D550,430 S \* 9/2007 Martin, Jr. .... D2/946
- D579,194 S \* 10/2008 Caylor ..... D2/976
- D597,827 S \* 8/2009 Brassard ..... D8/395
- D613,938 S \* 4/2010 Alexander ..... D2/976
- D615,285 S \* 5/2010 Martin ..... D2/946
- D627,146 S \* 11/2010 Kantor et al. .... D2/976
- D627,551 S \* 11/2010 Berutich et al. .... D2/976
- D630,425 S \* 1/2011 Olaverri et al. .... D2/976
- D637,106 S \* 5/2011 Babyak ..... D11/91
- D643,328 S \* 8/2011 Babyak ..... D11/91
- D647,293 S \* 10/2011 Ward et al. .... D2/976
- D649,340 S \* 11/2011 Plekker et al. .... D2/976
- D655,493 S \* 3/2012 Kelley et al. .... D2/976
- D662,703 S \* 7/2012 Haver ..... D2/976
- D667,212 S \* 9/2012 Reilly ..... D2/976
- D670,918 S \* 11/2012 Benjamin ..... D5/63
- D683,116 S \* 5/2013 Petrie ..... D2/946
- D724,487 S \* 3/2015 Dighton et al. .... D11/222
- 2008/0086917 A1 \* 4/2008 Carrillo ..... 36/136

\* cited by examiner

*Primary Examiner* — Elizabeth J Oswecki

(74) *Attorney, Agent, or Firm* — MacMillan, Sobanski & Todd, LLC

(57) **CLAIM**

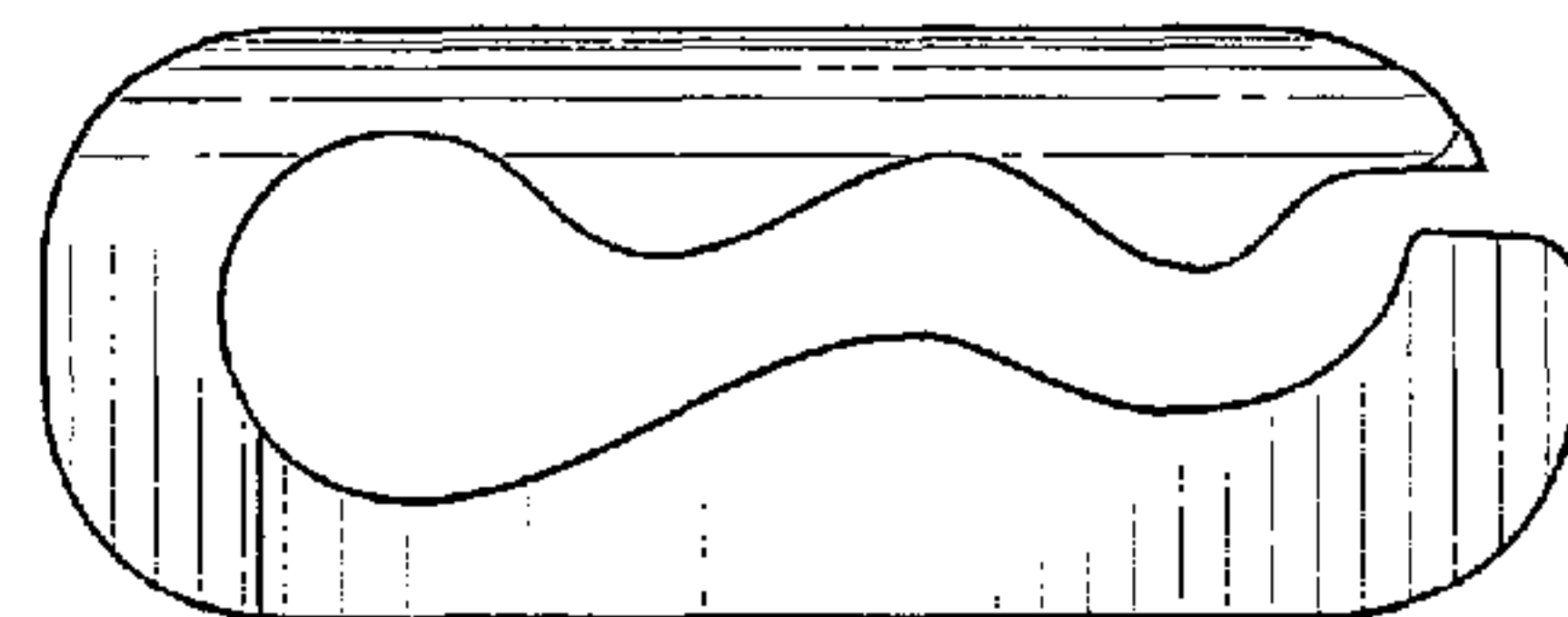
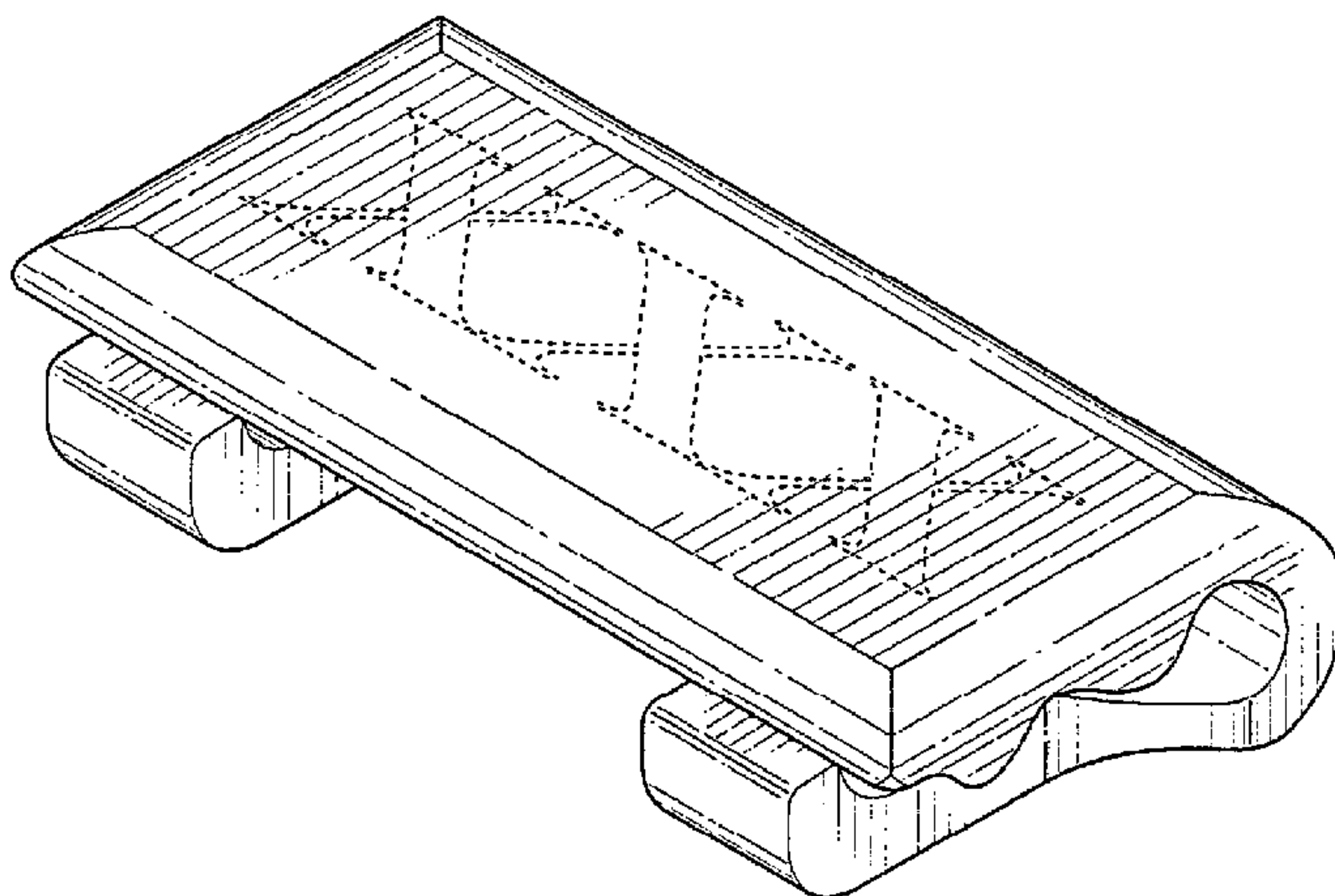
The ornamental design for a novelty clip for attachment to shoelace, as shown and described.

**DESCRIPTION**

FIG. 1 is a front, right perspective view of a novelty clip for attachment to shoelace showing our new design;  
 FIG. 2 is a bottom view thereof;  
 FIG. 3 is a top view thereof;  
 FIG. 4 is a left side view thereof;  
 FIG. 5 is a right side view thereof;  
 FIG. 6 is a front view thereof; and,  
 FIG. 7 is a back view thereof.

The dashed lines in FIGS. 1 and 6 show where a word or message or image may be placed on the clip and do not form a part of the claimed design.

**1 Claim, 4 Drawing Sheets**



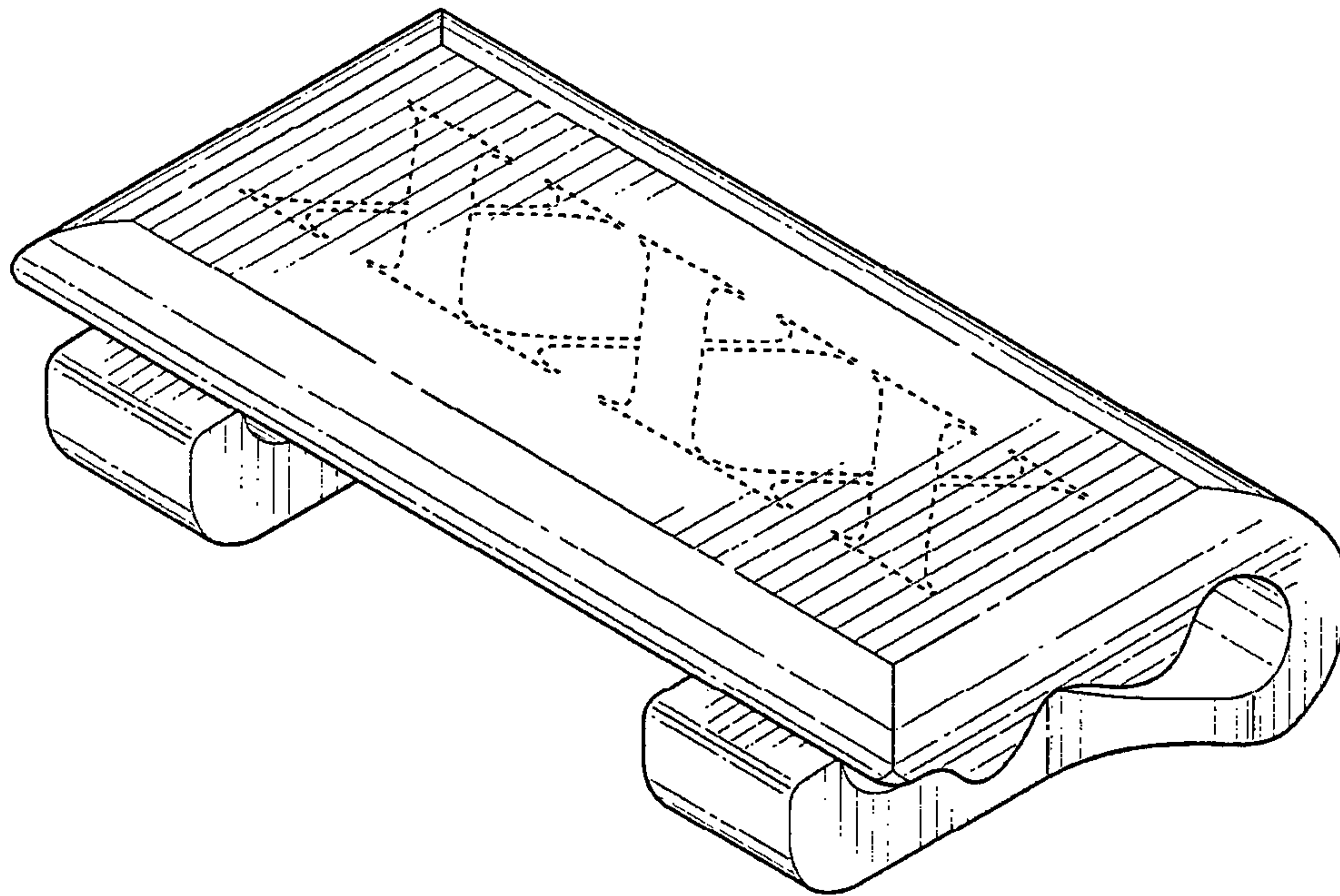


FIG. 1

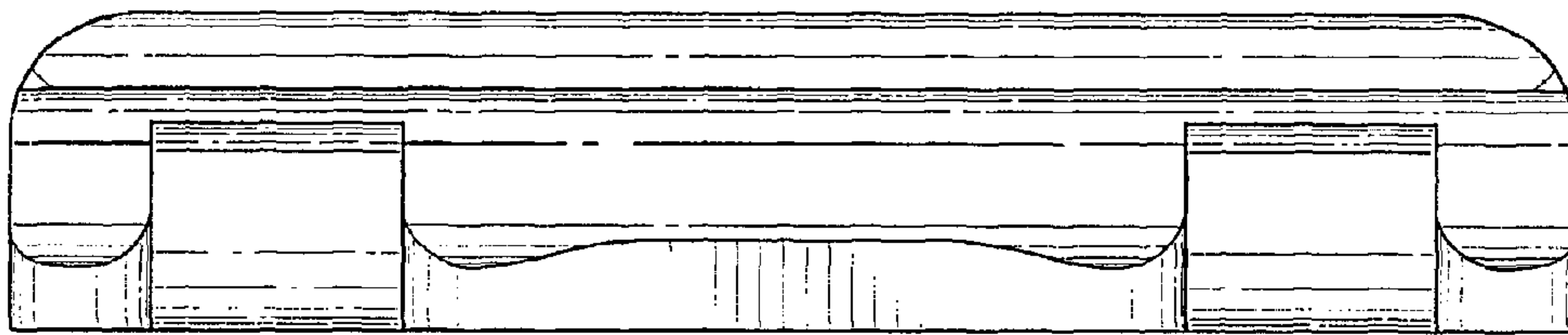


FIG. 2

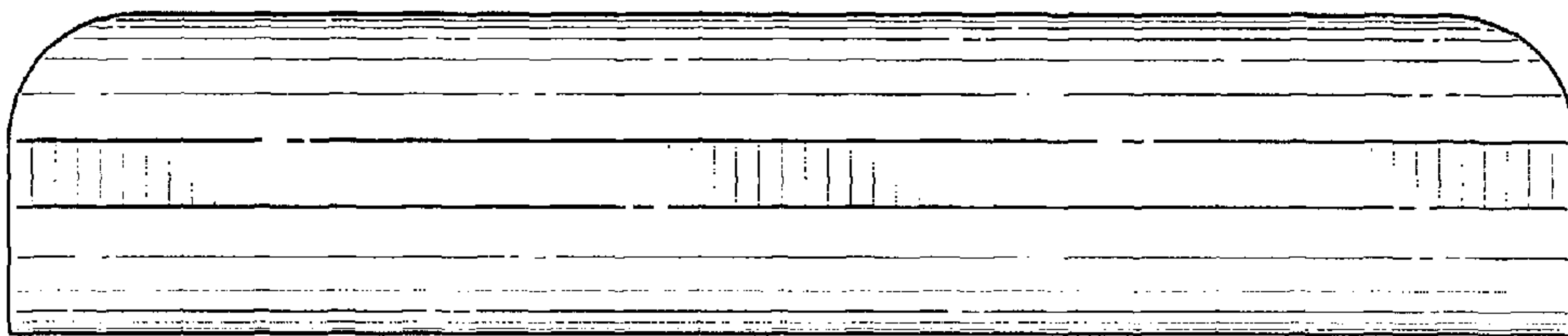


FIG. 3

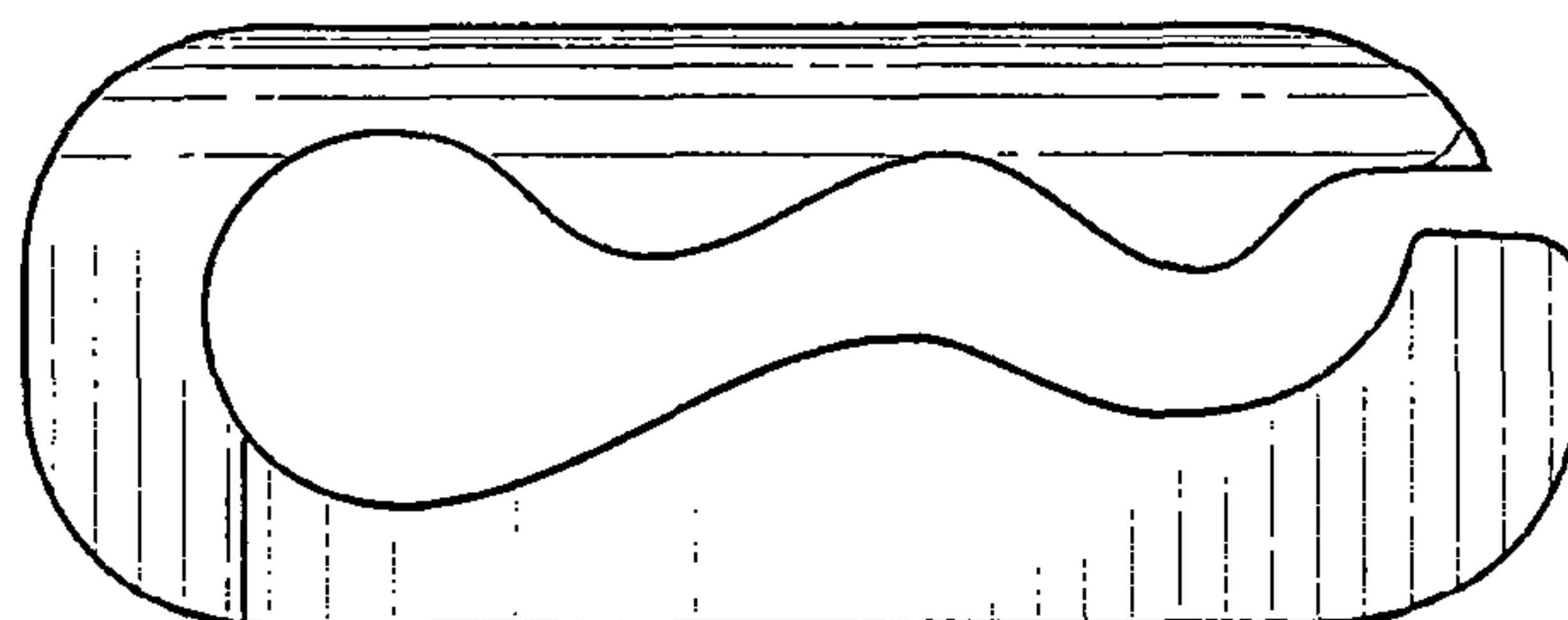


FIG. 4

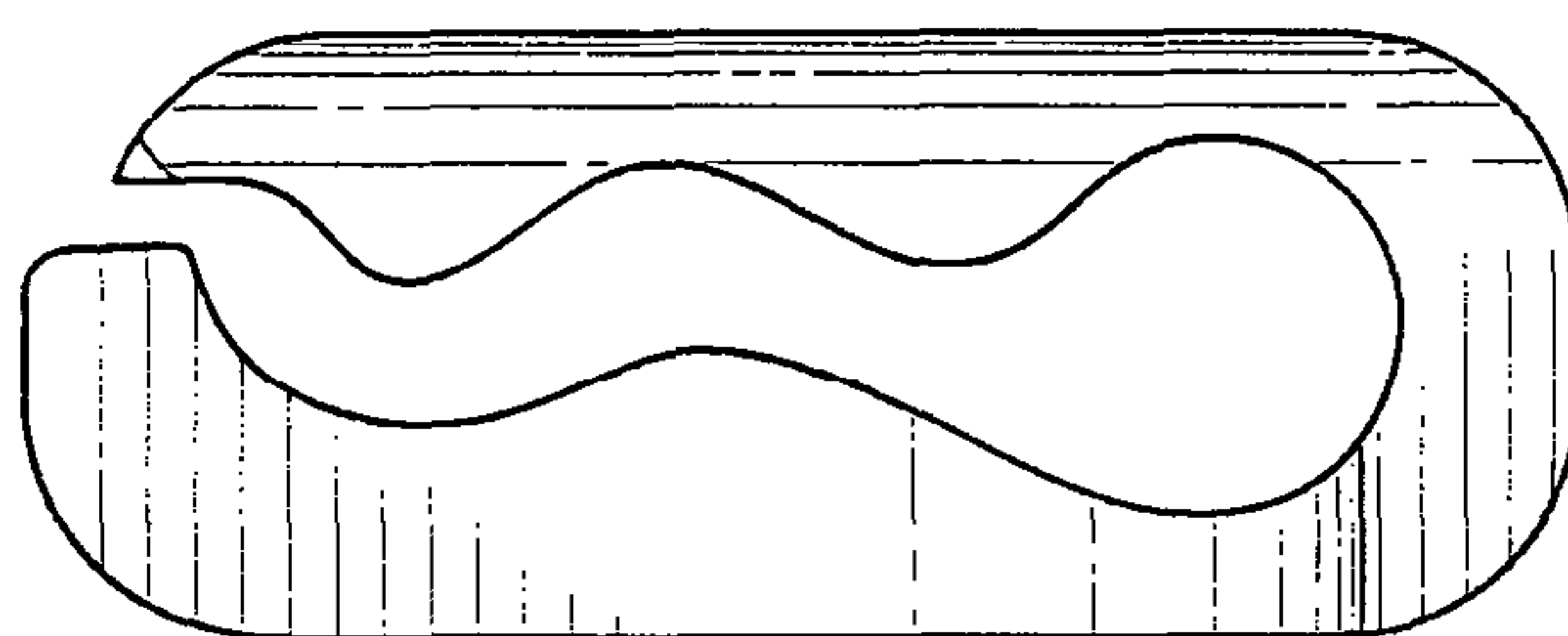


FIG. 5

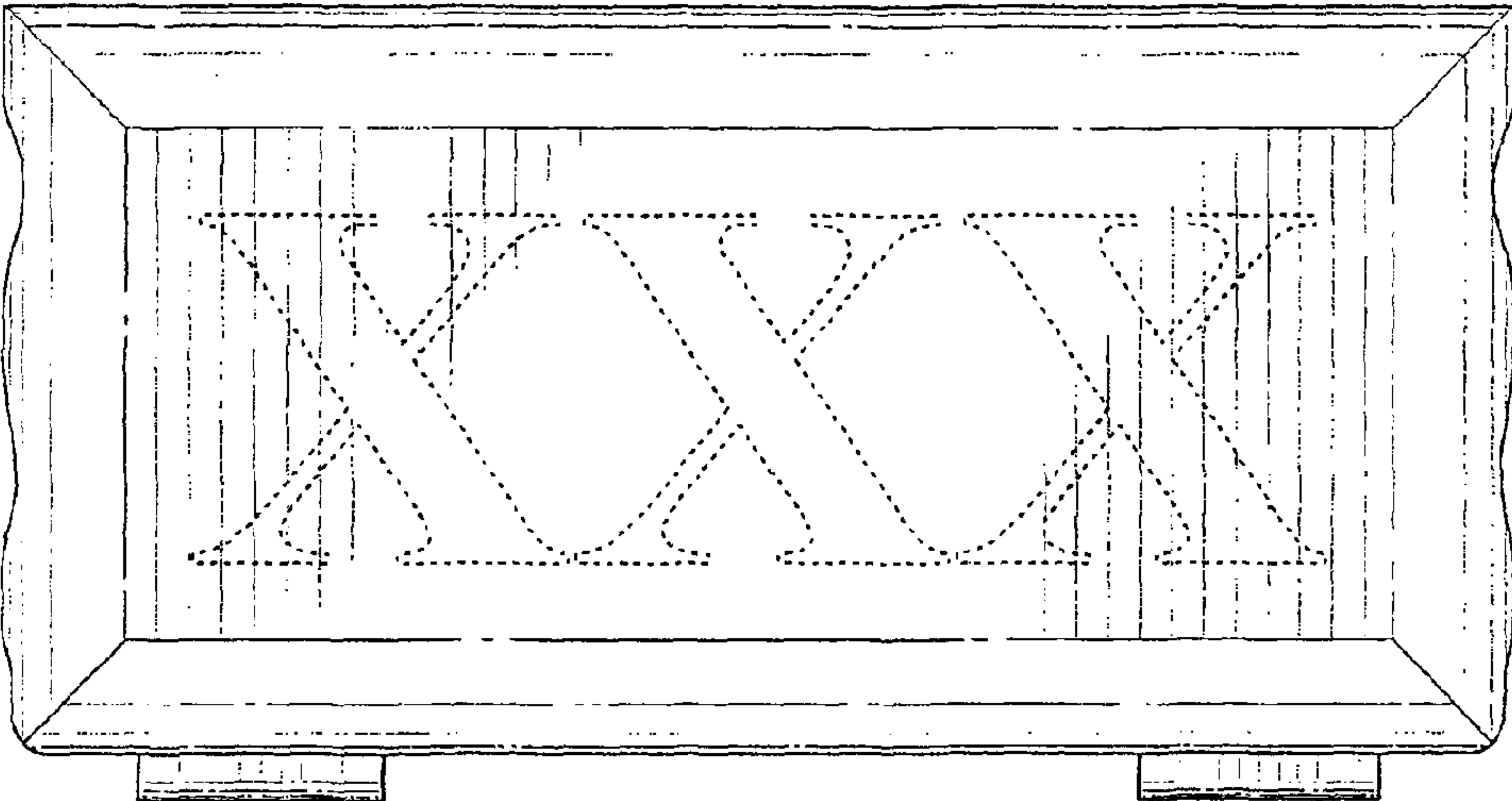


FIG. 6

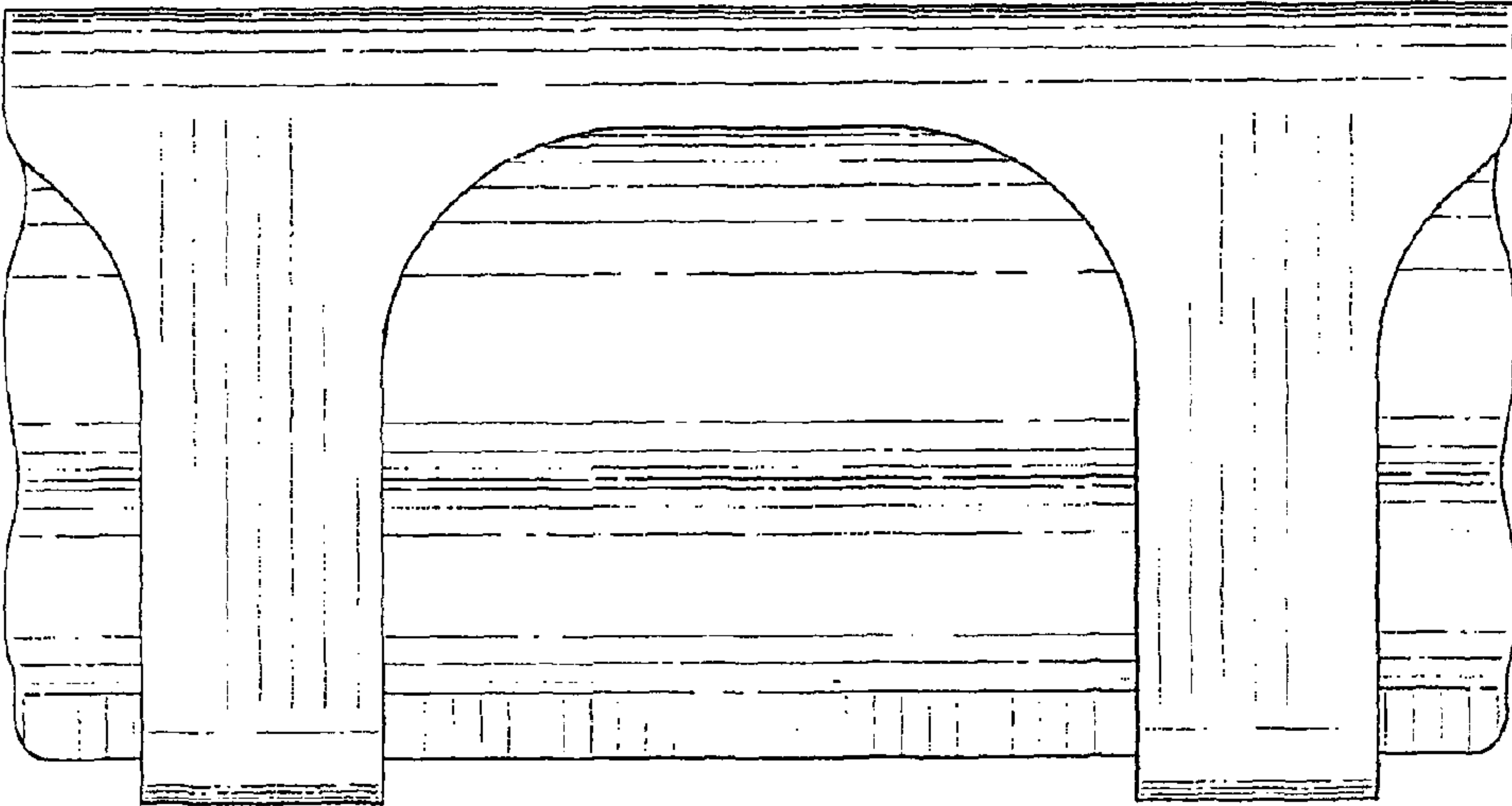


FIG. 7