



US00D737551S

(12) **United States Design Patent**
House

(10) **Patent No.:** **US D737,551 S**

(45) **Date of Patent:** **** Sep. 1, 2015**

(54) **FOOTWEAR**

(71) Applicant: **Hallie House**, Phoenix, AZ (US)

(72) Inventor: **Hallie House**, Phoenix, AZ (US)

(73) Assignee: **Toeblooms, LLC**, Phoenix, AZ (US)

(**) Term: **14 Years**

(21) Appl. No.: **29/512,148**

(22) Filed: **Dec. 17, 2014**

Related U.S. Application Data

(63) Continuation-in-part of application No. 13/420,845, filed on Mar. 15, 2012.

(51) **LOC (10) Cl.** **02-04**

(52) **U.S. Cl.**
USPC **D2/901; D2/900; D2/896**

(58) **Field of Classification Search**
USPC D2/896, 900–907, 909, 912, 946,
D2/972–974, 980; 36/83, 88, 91, 113–116,
36/3 A, 7.1 R, 45, 94, 8.3; D24/190, 192
CPC . A43B 5/12; A43B 3/00; A43B 3/102–3/108;
A61F 5/0113
See application file for complete search history.

(56) **References Cited**

U.S. PATENT DOCUMENTS

D59,046	S	*	9/1921	Tweedie	D2/901
1,717,609	A	*	6/1929	Ludwig	602/66
1,930,188	A	*	10/1933	Arthur	602/66
2,237,652	A	*	4/1941	Capezio	36/8.3
2,708,930	A	*	5/1955	Lowman	602/27
4,355,801	A	*	10/1982	Thomsen	482/105
D525,417	S	*	7/2006	Kelsey	D2/969
D598,559	S	*	8/2009	Powaser	D24/192

D599,983	S	*	9/2009	Kim	D2/901
D703,336	S	*	4/2014	Eldridge	D24/192
2008/0022555	A1	*	1/2008	Mor et al.	36/62

* cited by examiner

Primary Examiner — Ian Simmons

Assistant Examiner — Rashida C McCoy

(74) *Attorney, Agent, or Firm* — Kenneth Motolenich-Salas

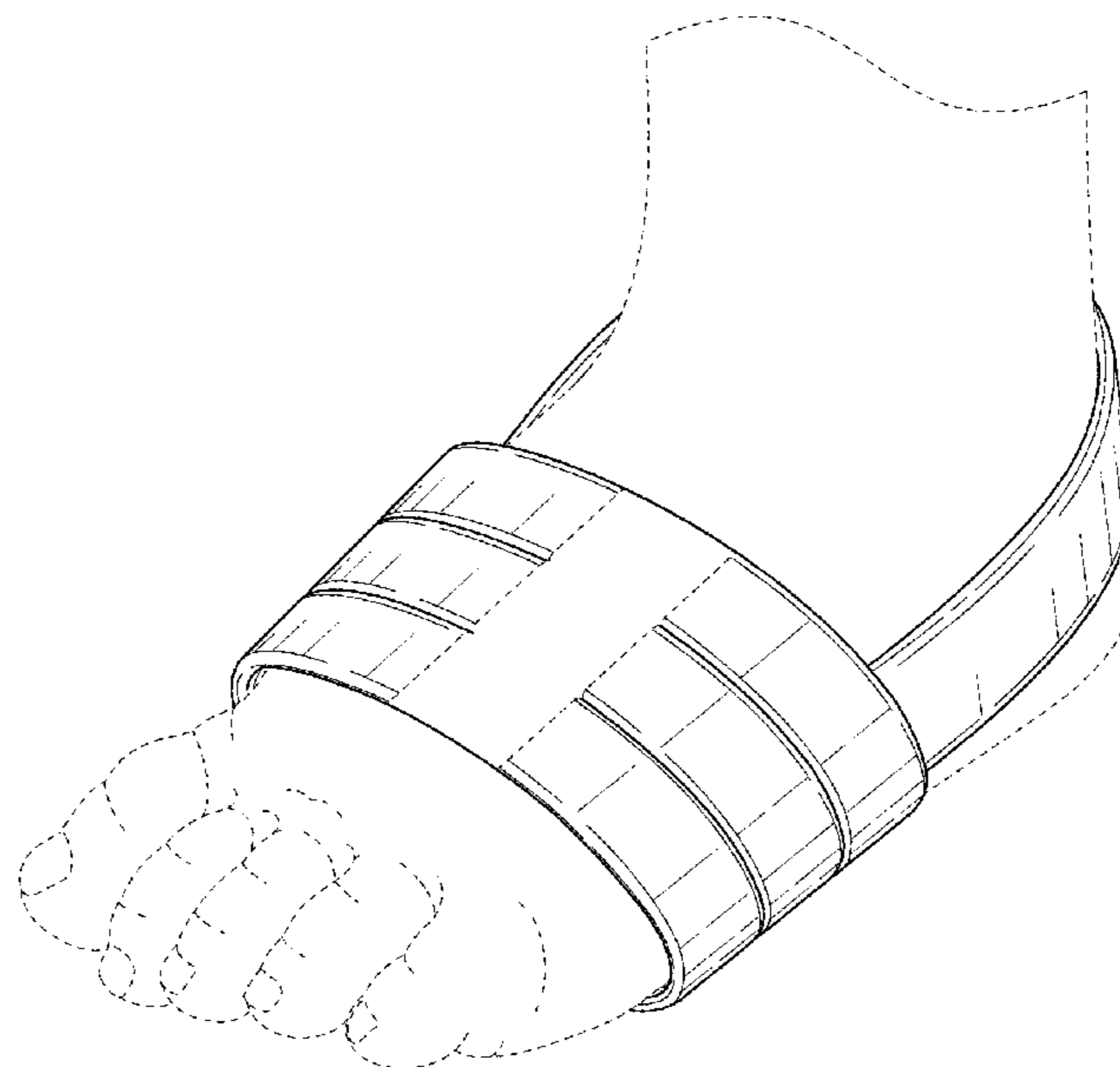
(57) **CLAIM**

The ornamental design for footwear, as shown and described.

DESCRIPTION

FIG. 1 is a perspective view of footwear with a foot inserted therethrough;
 FIG. 2 is a perspective view of footwear;
 FIG. 3 is a front view thereof;
 FIG. 4 is a rear view thereof;
 FIG. 5 is a left side view thereof;
 FIG. 6 is a right side view thereof;
 FIG. 7 is a top view thereof;
 FIG. 8 is a bottom view thereof;
 FIG. 9 is a perspective view of footwear with a foot inserted therethrough;
 FIG. 10 is a perspective view of footwear;
 FIG. 11 is a front view of the footwear depicted in FIG. 10;
 FIG. 12 is a rear view of the footwear depicted in FIG. 10;
 FIG. 13 is a left side view of the footwear depicted in FIG. 10;
 FIG. 14 is a right side view of the footwear depicted in FIG. 10;
 FIG. 15 is a top view of the footwear depicted in FIG. 10; and,
 FIG. 16 is a bottom view of the footwear depicted in FIG. 10.
 The broken lines in the drawings represent unclaimed subject matter.

1 Claim, 12 Drawing Sheets



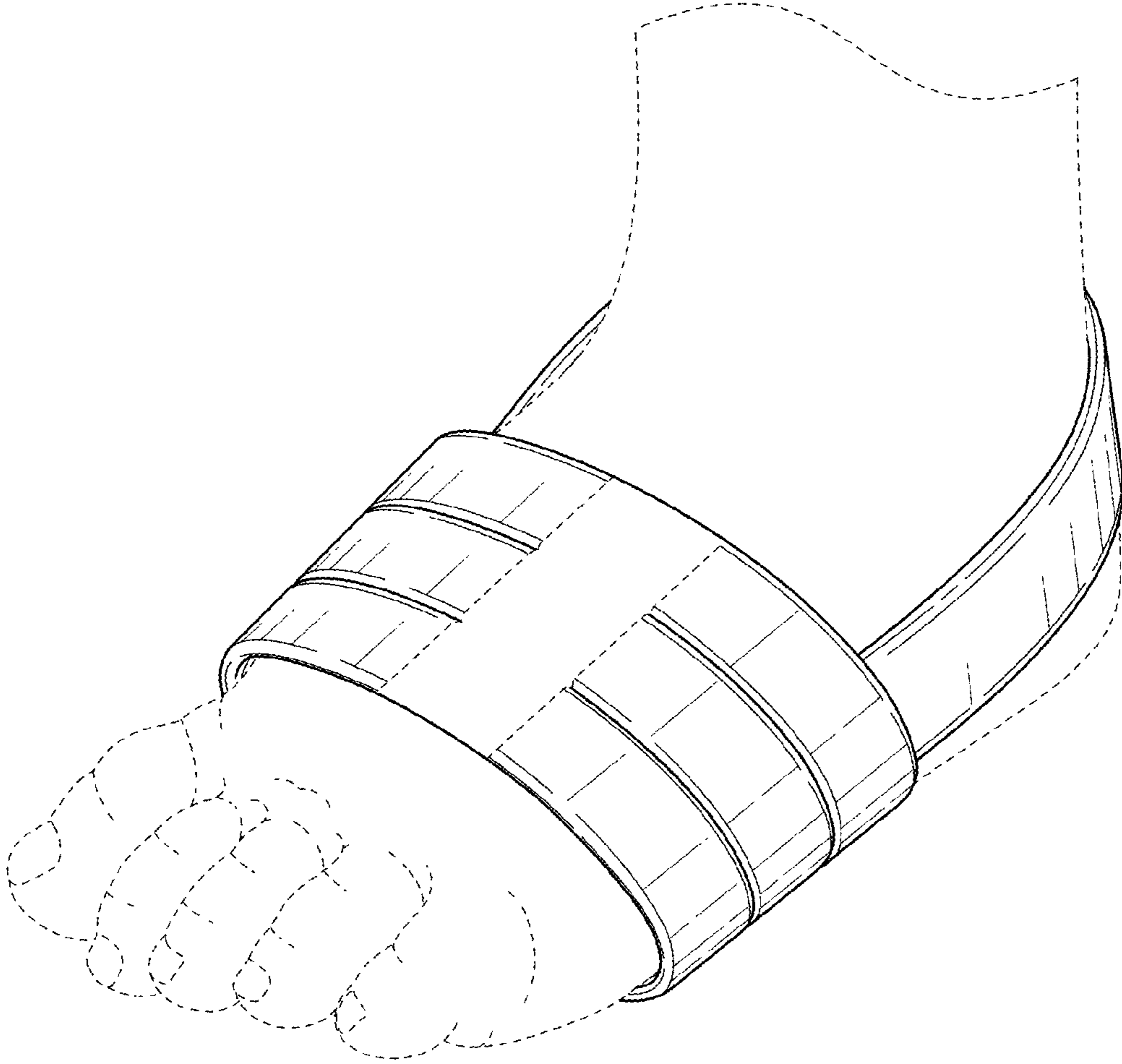


FIG. 1

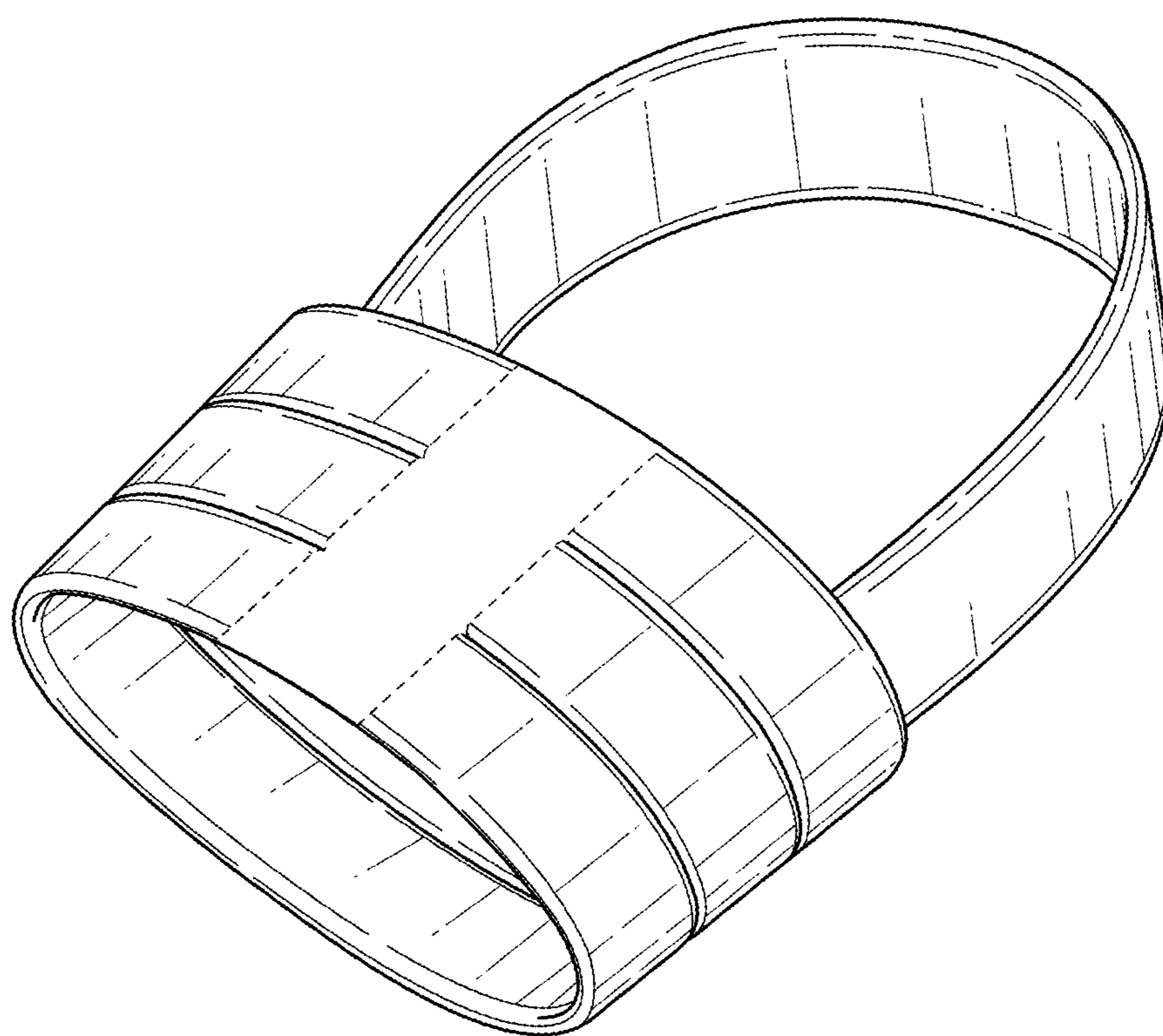


FIG. 2

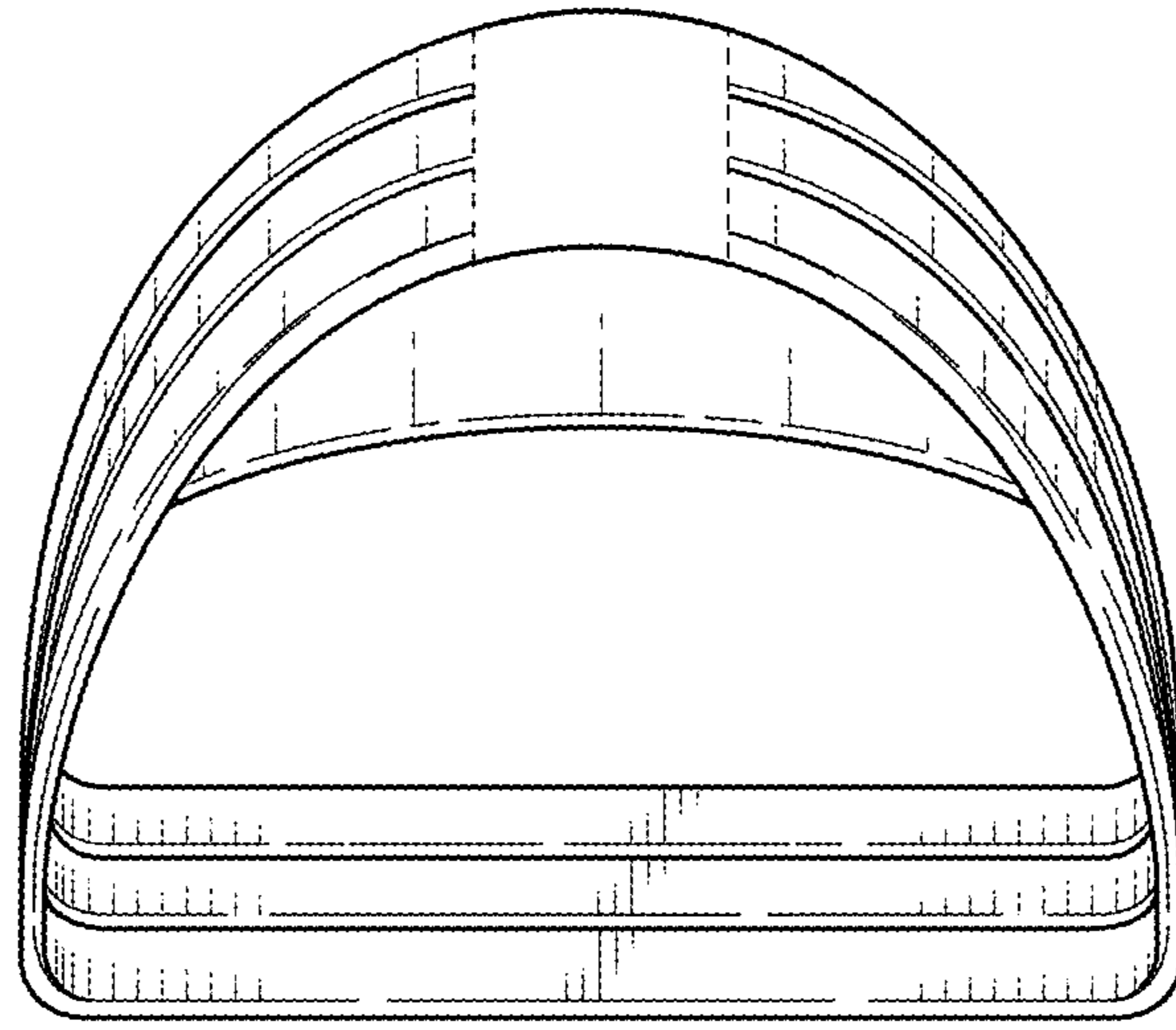


FIG. 3

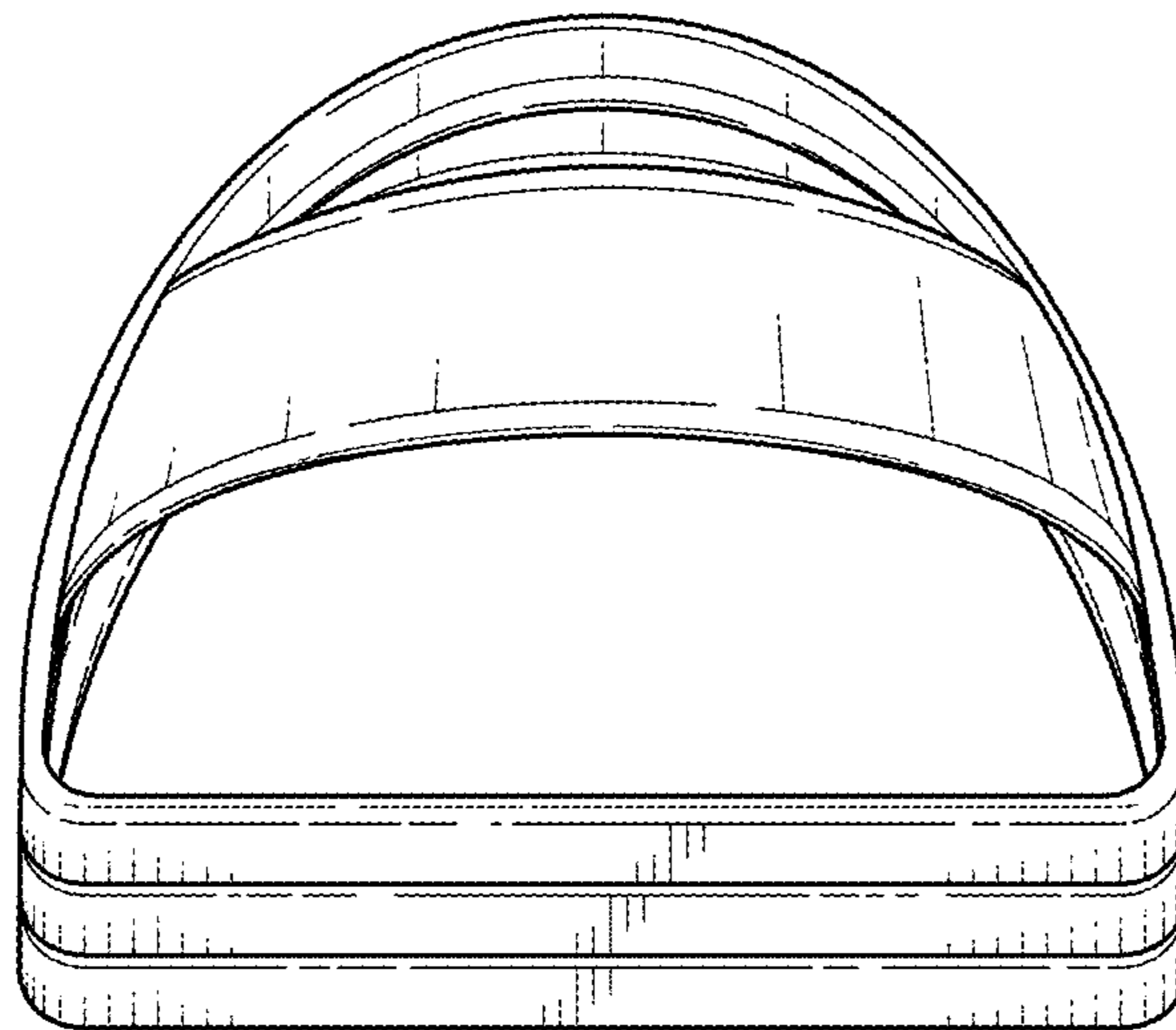


FIG. 4

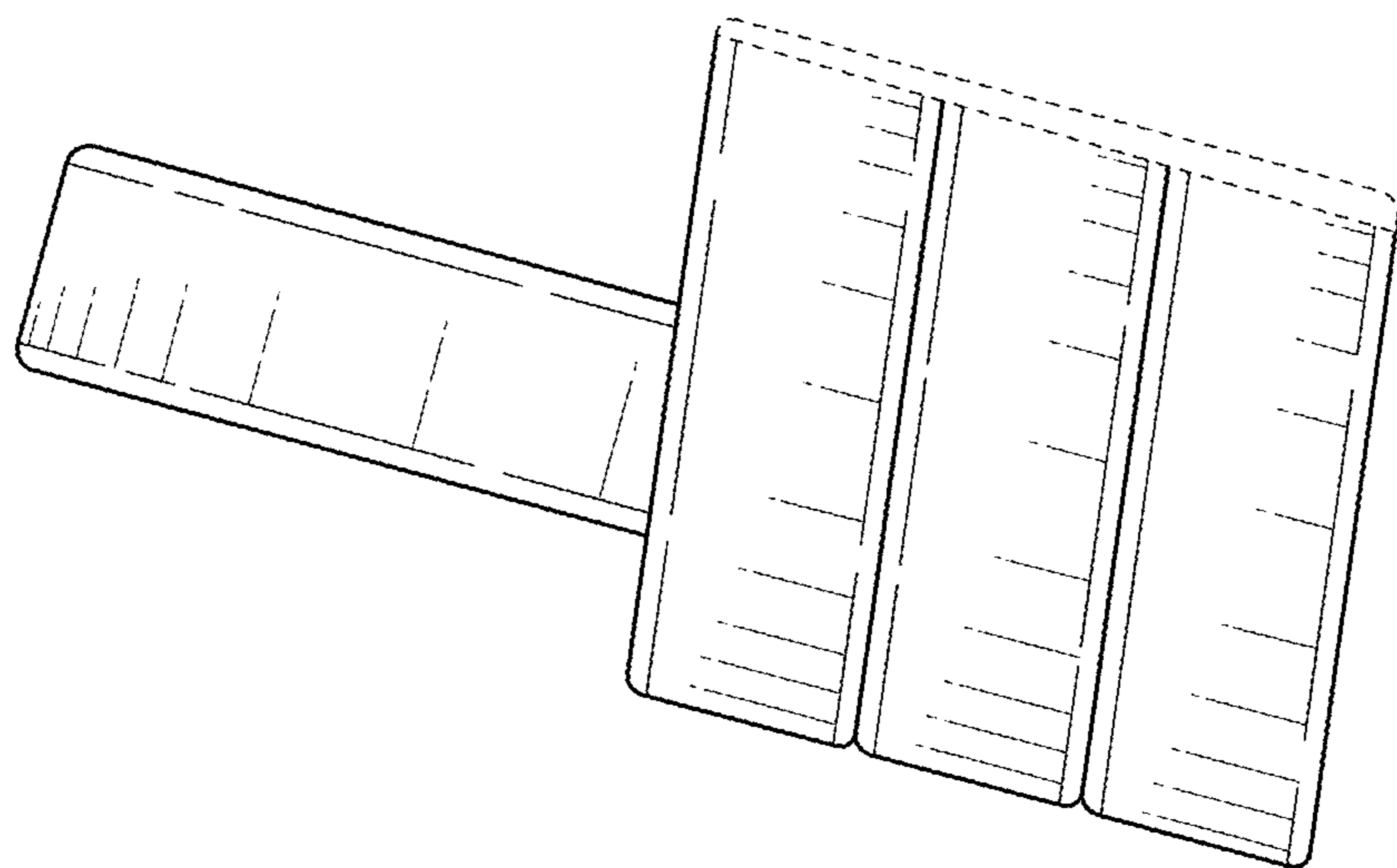


FIG. 5

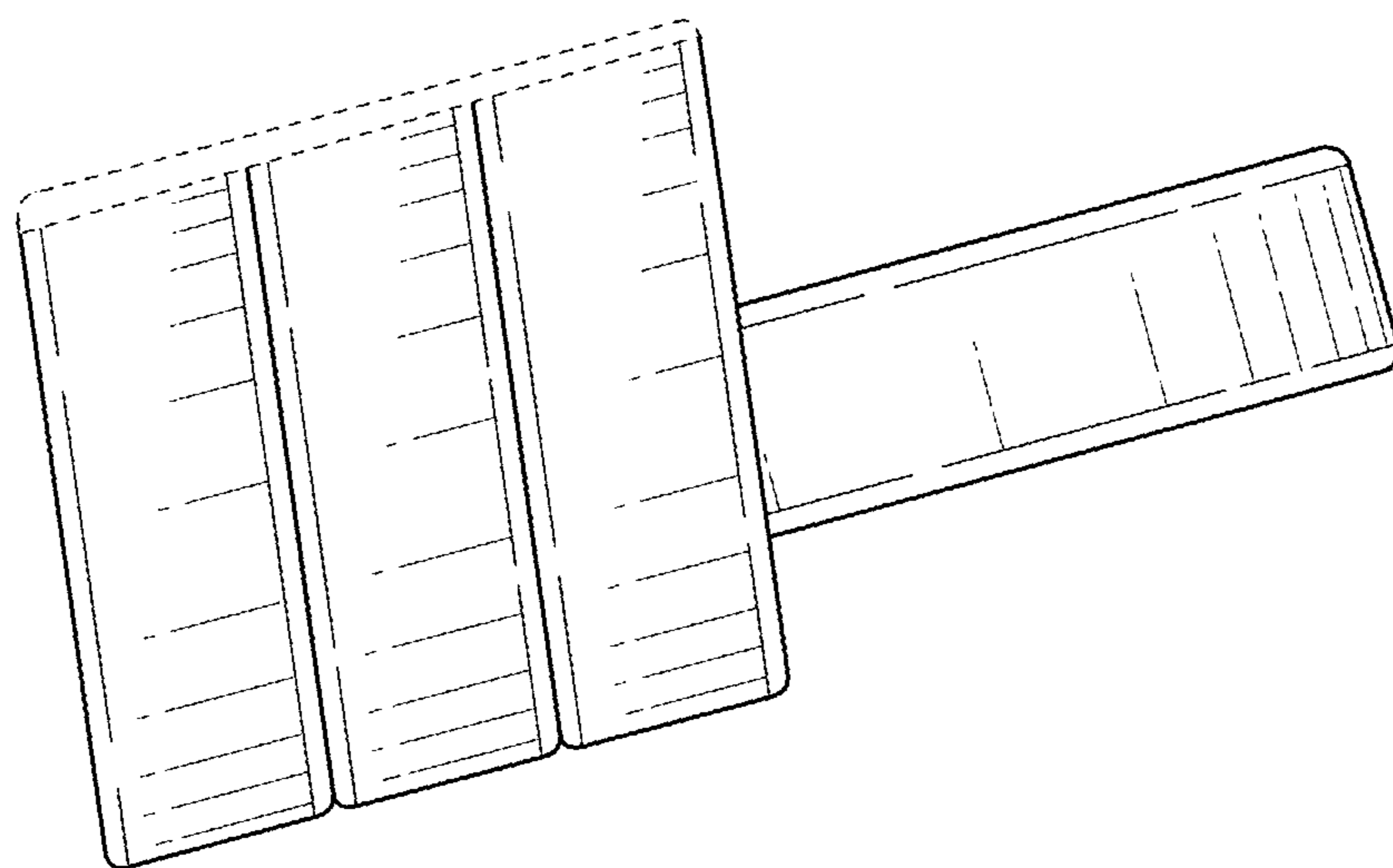


FIG. 6

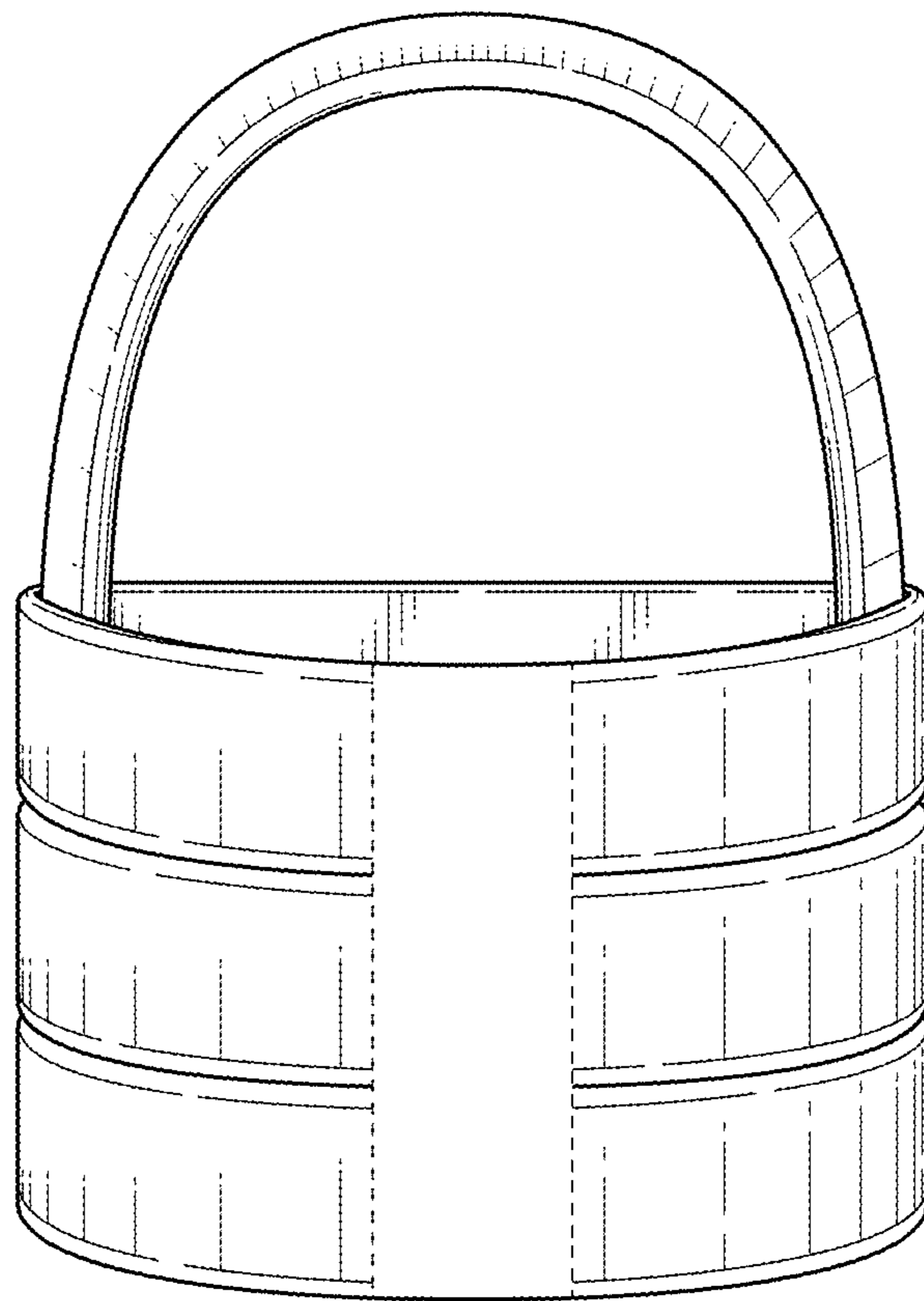


FIG. 7

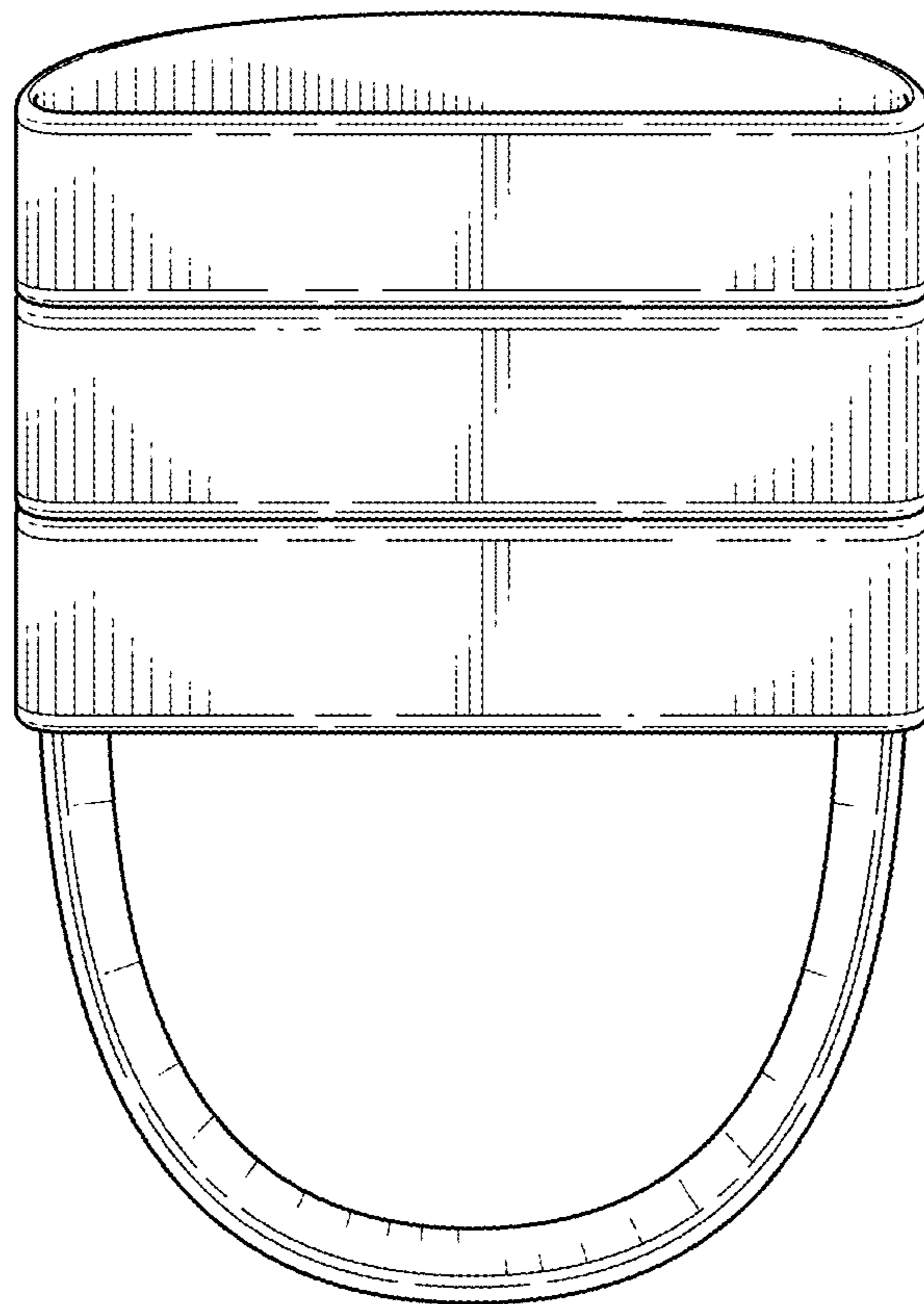


FIG. 8

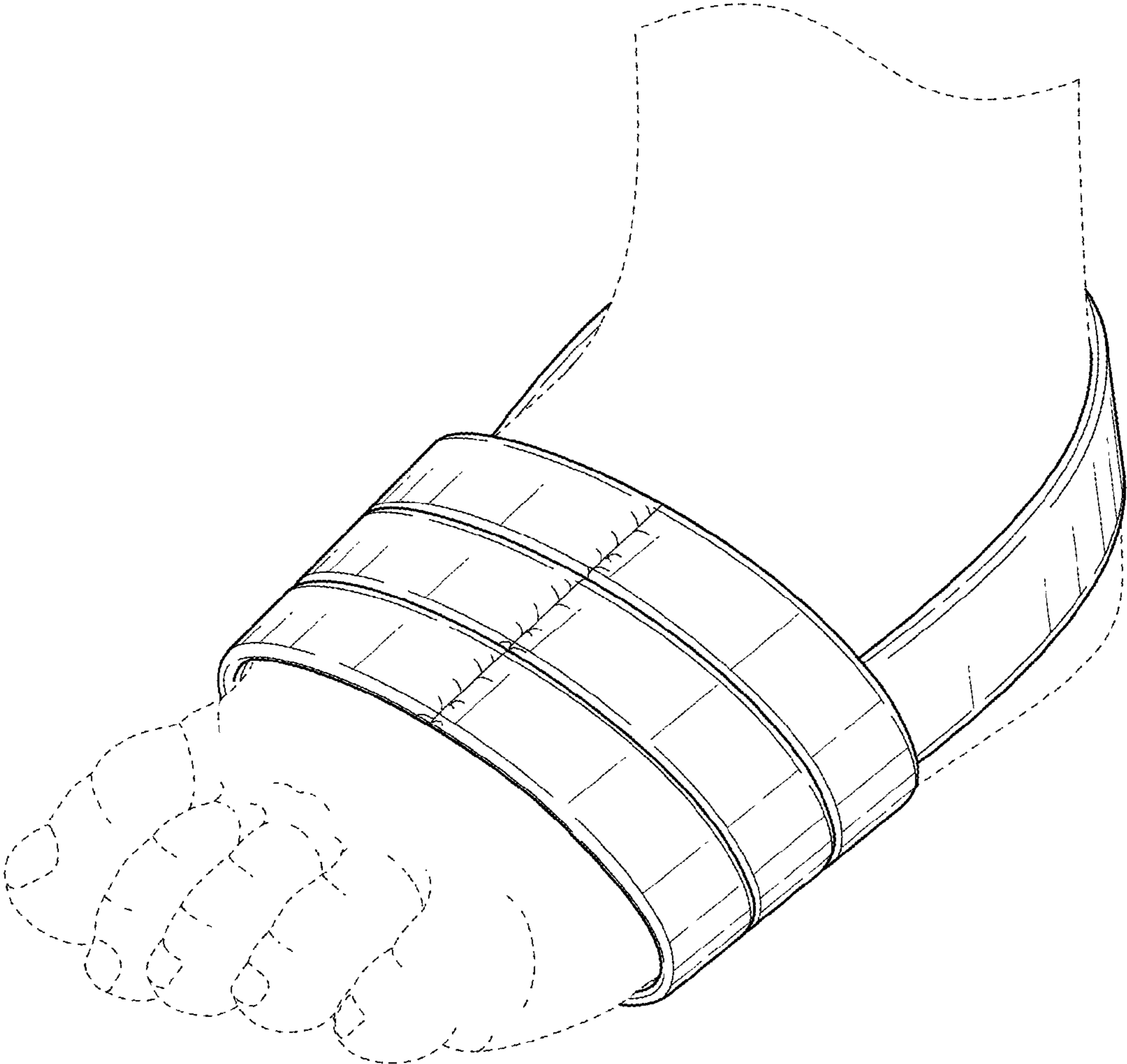


FIG. 9

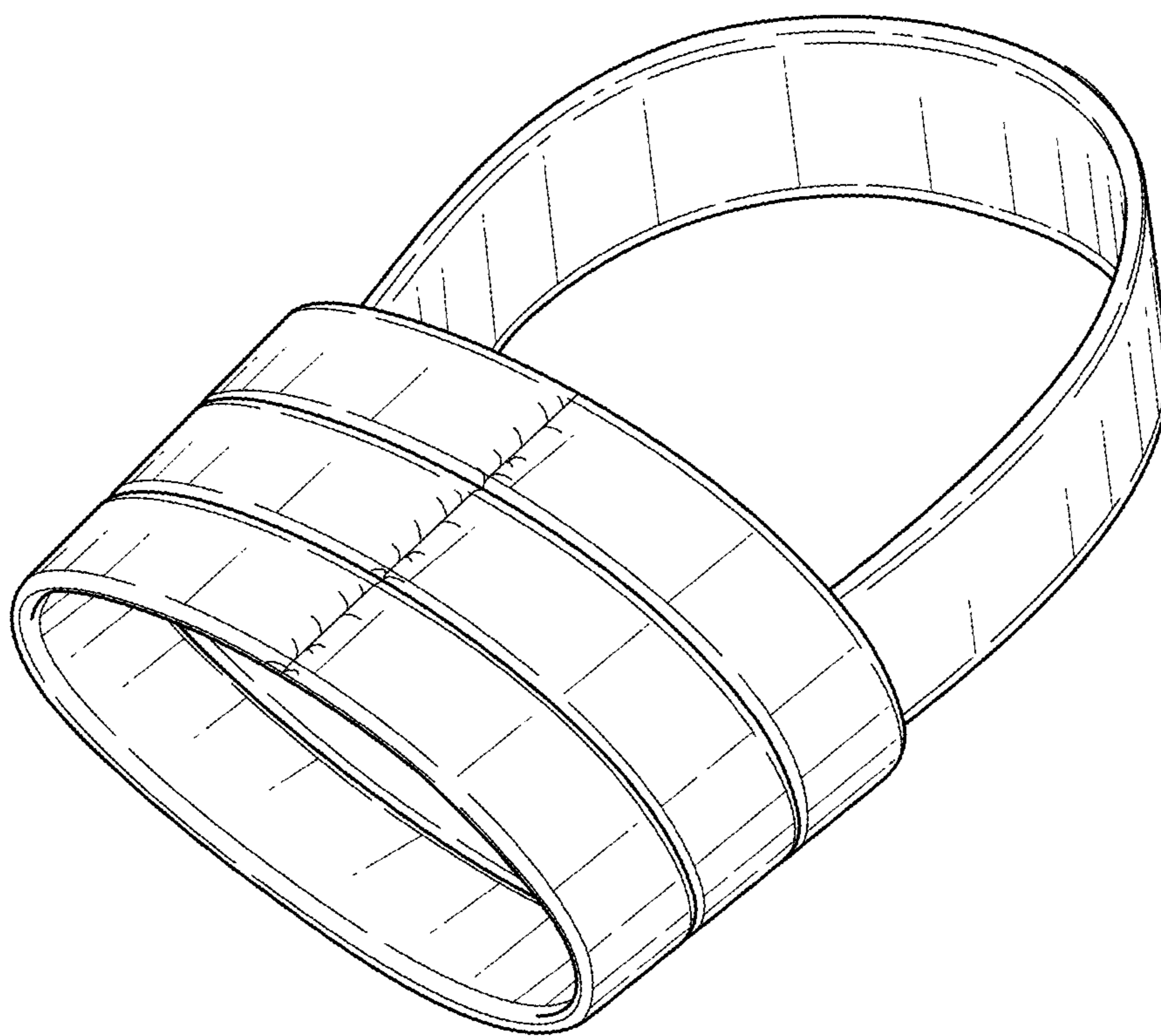


FIG. 10

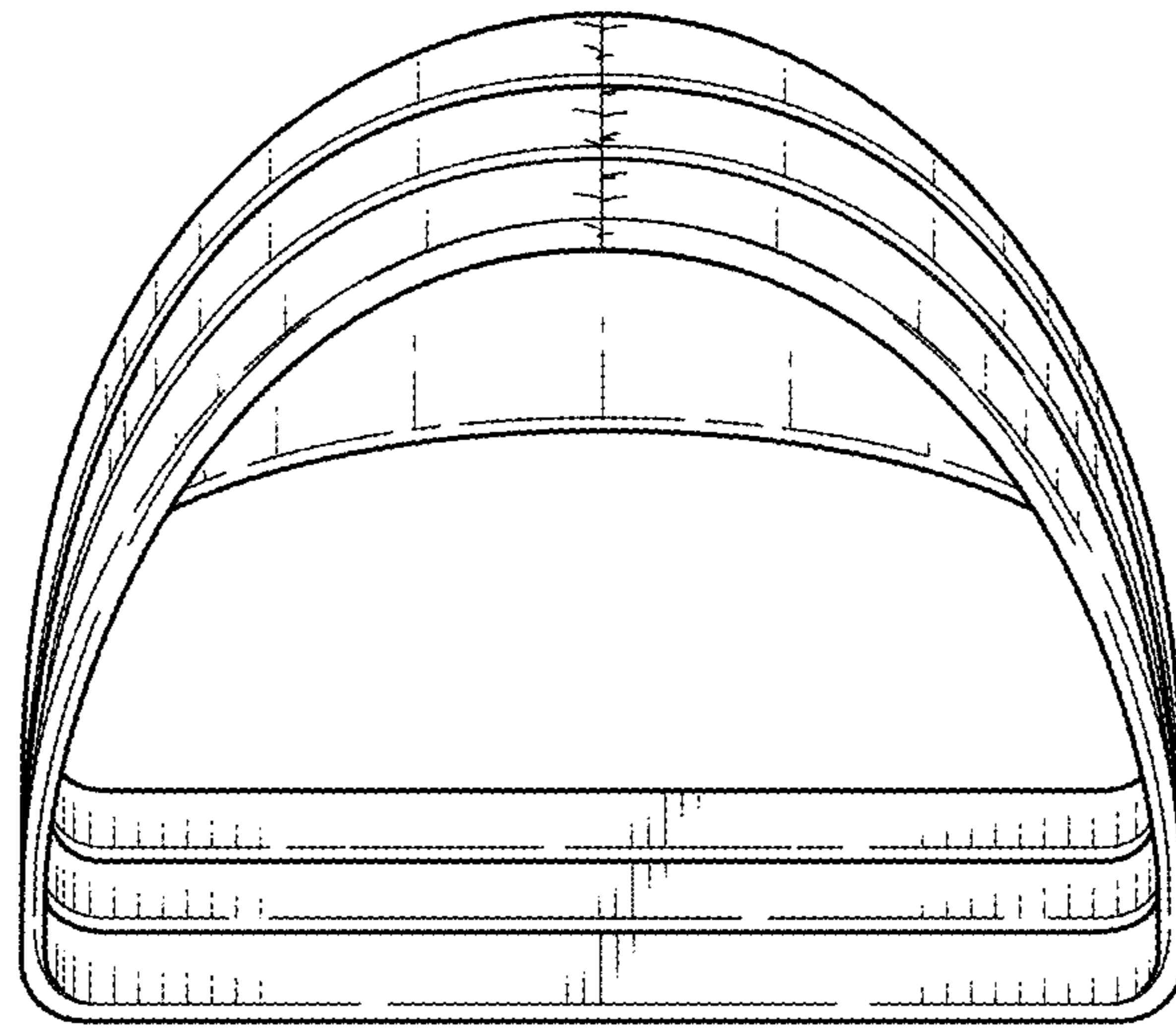


FIG. 11

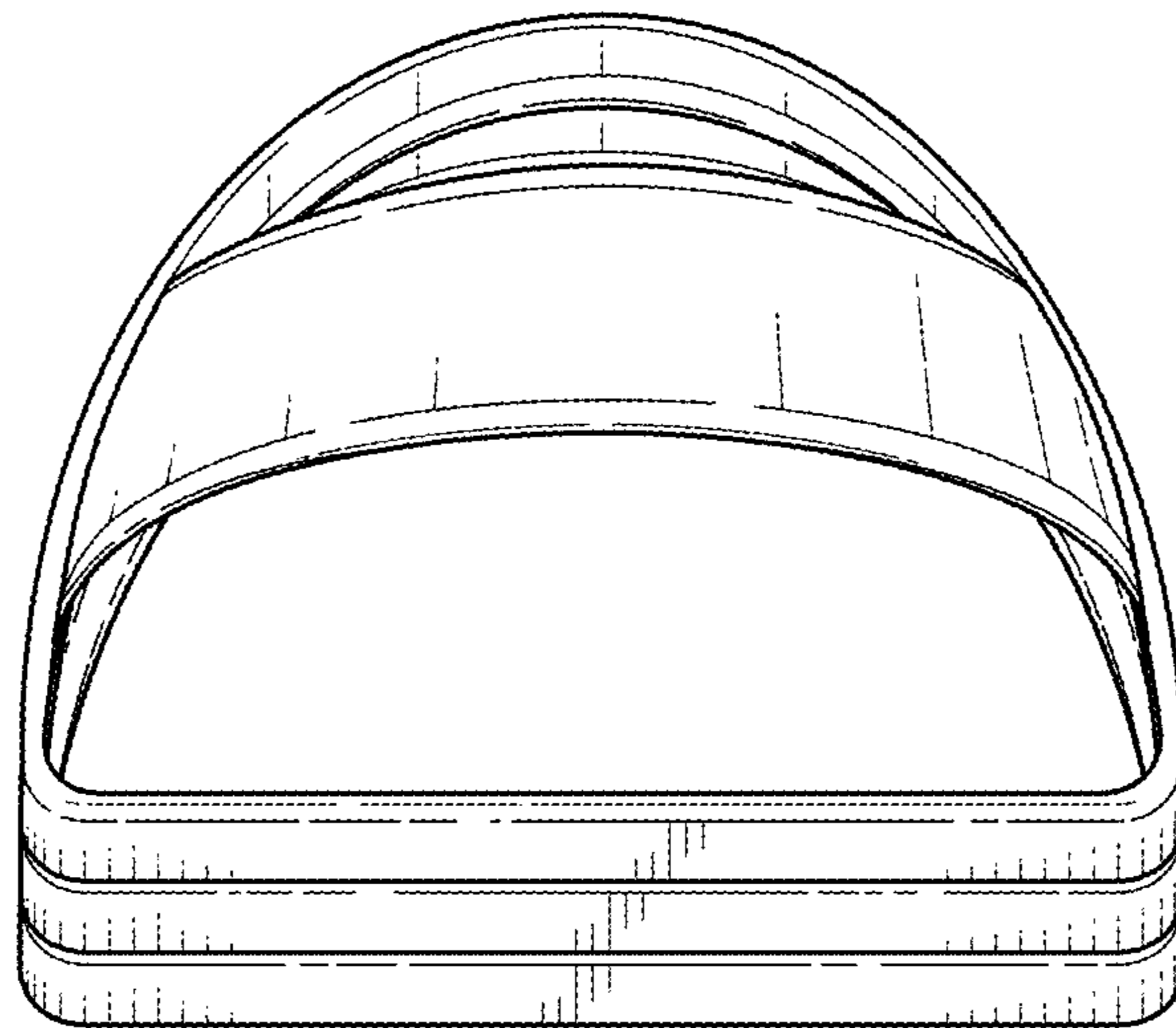


FIG. 12

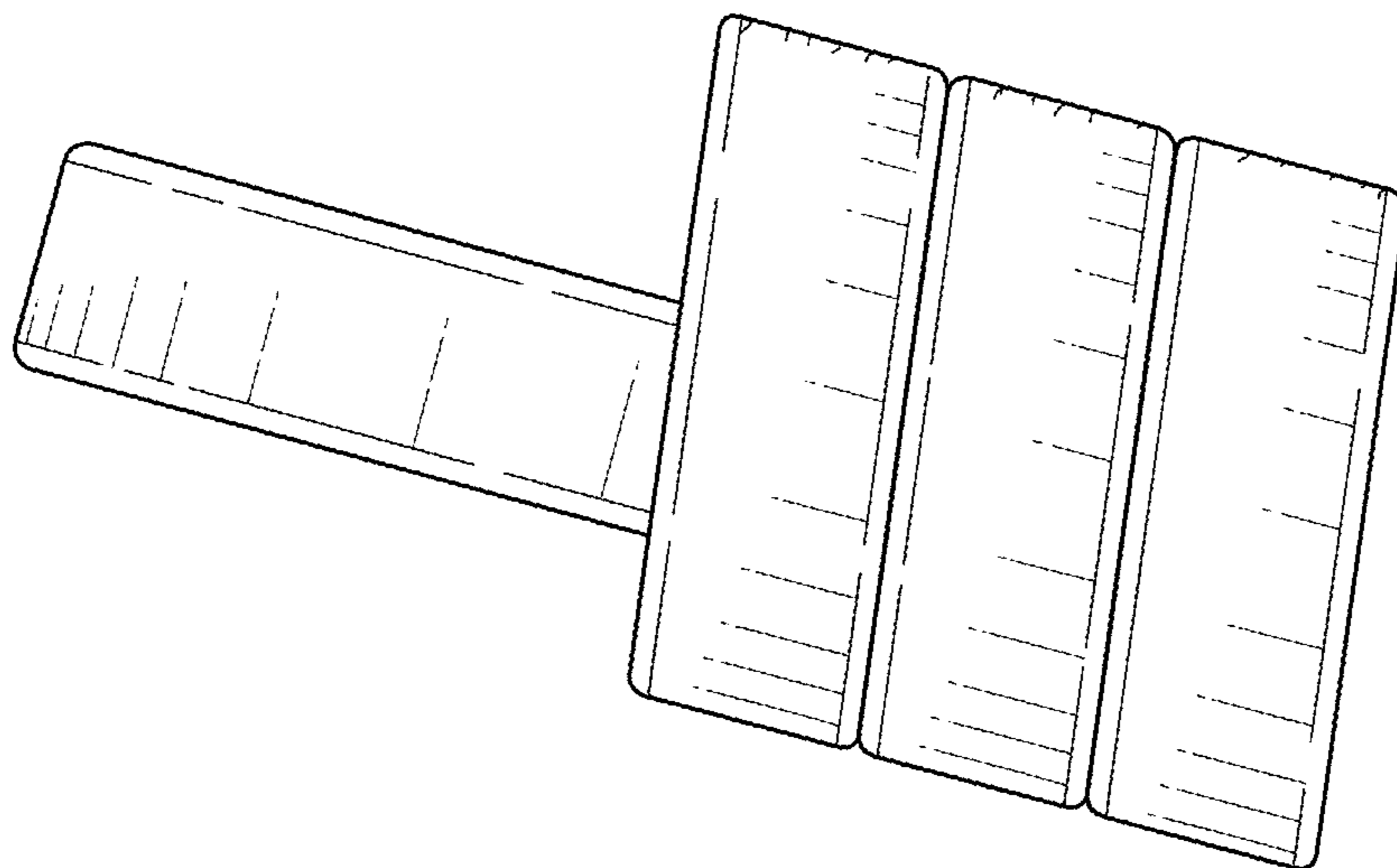


FIG. 13

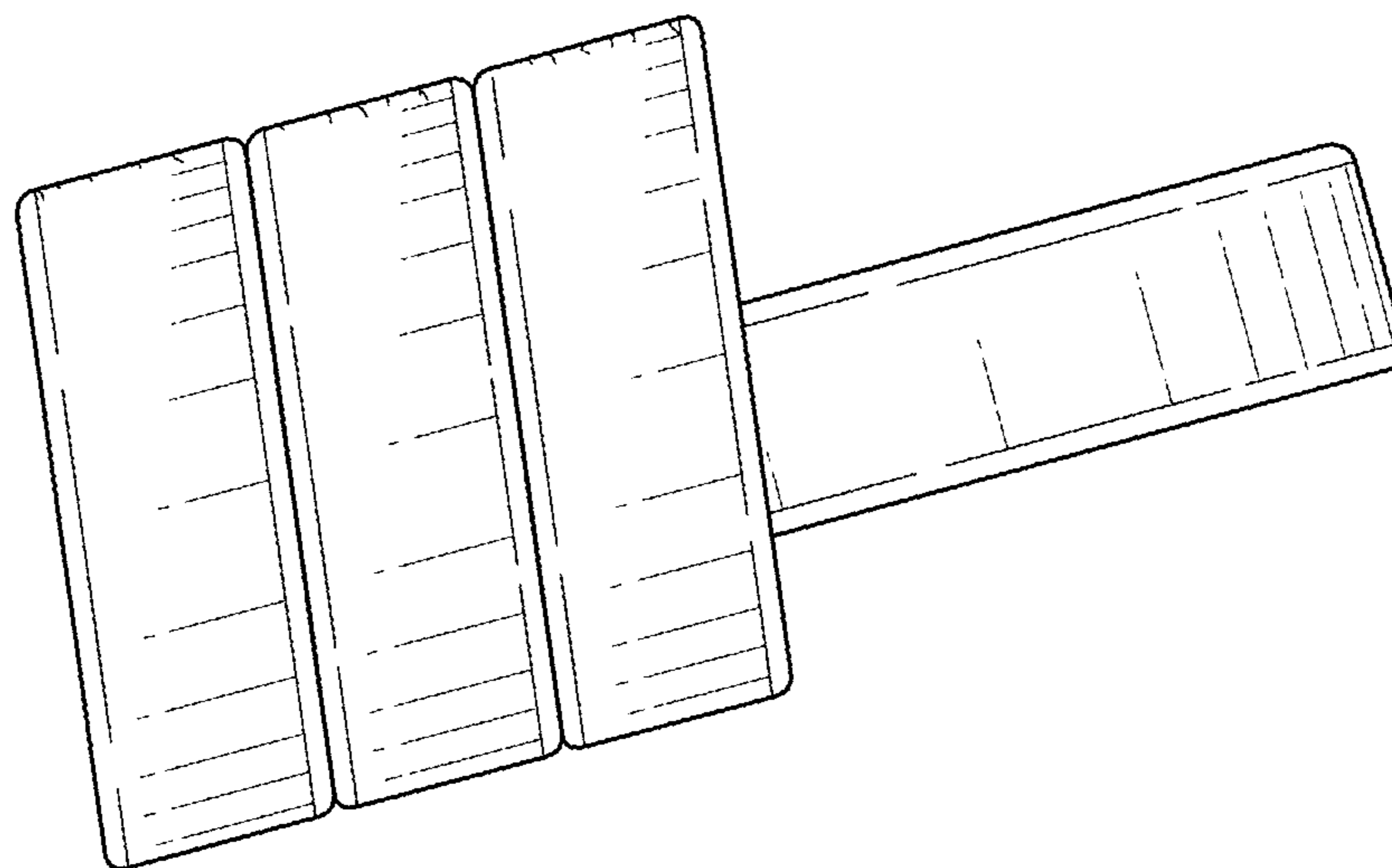


FIG. 14

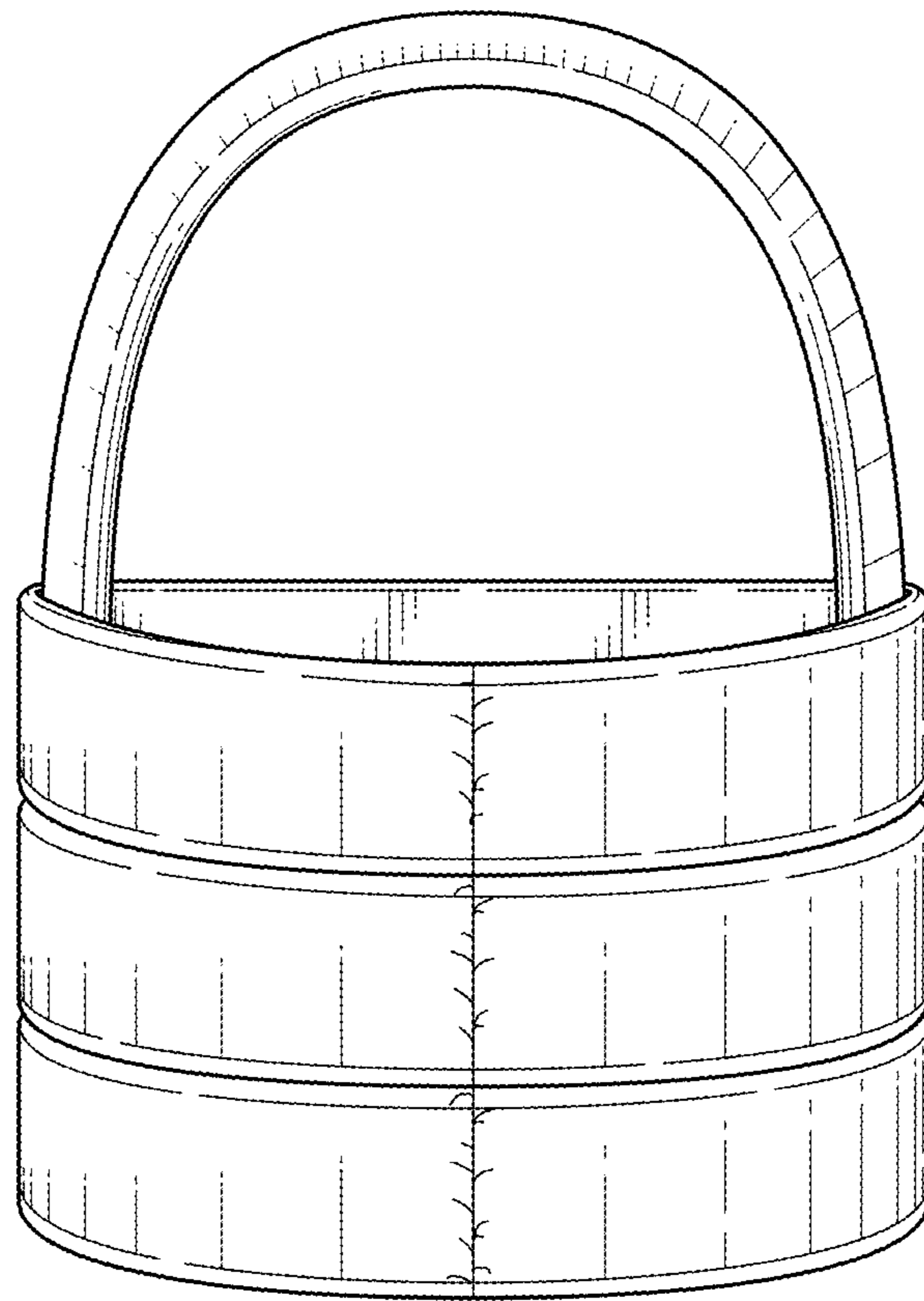


FIG. 15

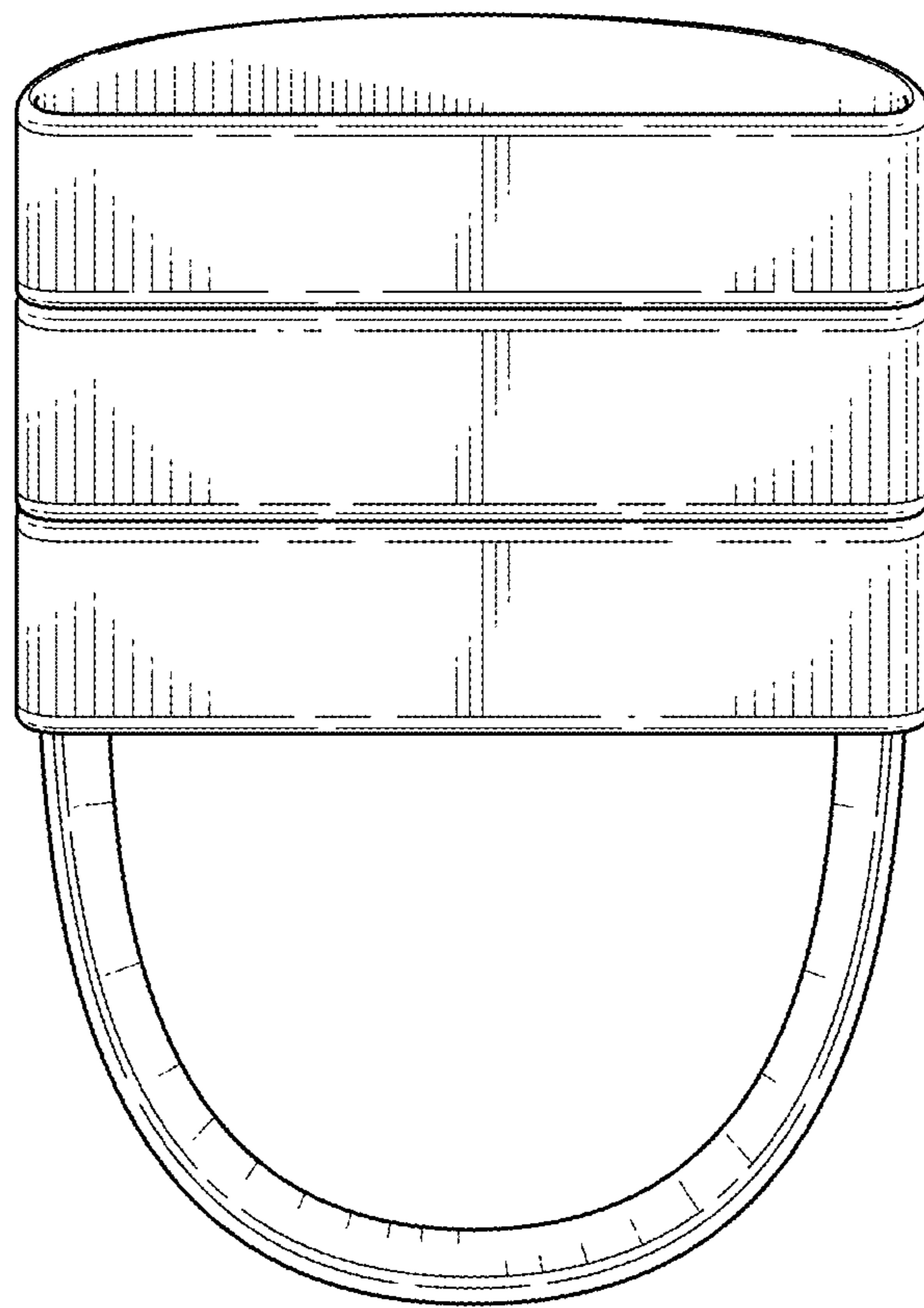


FIG. 16