

US00D737550S

(12) **United States Design Patent**
House

(10) **Patent No.:** **US D737,550 S**

(45) **Date of Patent:** **** *Sep. 1, 2015**

(54) **FOOTWEAR**

- (71) Applicant: **Hallie House**, Phoenix, AZ (US)
- (72) Inventor: **Hallie House**, Phoenix, AZ (US)
- (73) Assignee: **Toeblooms, LLC**, Phoenix, AZ (US)
- (*) Notice: This patent is subject to a terminal disclaimer.
- (**) Term: **14 Years**
- (21) Appl. No.: **29/511,019**
- (22) Filed: **Dec. 5, 2014**

Related U.S. Application Data

- (63) Continuation-in-part of application No. 12/885,313, filed on Sep. 17, 2010, now abandoned.
- (51) **LOC (10) Cl.** **02-04**
- (52) **U.S. Cl.**
USPC **D2/901; D2/900**
- (58) **Field of Classification Search**
USPC D2/896, 900-907, 909, 912, 946,
D2/972-974, 980; 36/83, 88, 91, 113-116,
36/3 A, 7.1 R, 45, 94, 8.3; D24/190, 192
CPC . A43B 5/12; A43B 3/00; A43B 3/102-3/108;
A61F 5/0113
See application file for complete search history.

(56) **References Cited**

U.S. PATENT DOCUMENTS

D59,046 S *	9/1921	Ludwig	D2/901
1,717,609 A *	6/1929	Arthur	602/66
1,930,188 A *	10/1933	Arthur	602/66
2,237,652 A *	4/1941	Capezio	36/8.3
D525,417 S *	7/2006	Kelsey	D2/969
D598,559 S *	8/2009	Powaser	D24/192
2008/0022555 A1 *	1/2008	Mor et al.	36/62

* cited by examiner

Primary Examiner — Ian Simmons

Assistant Examiner — Rashida C McCoy

(74) *Attorney, Agent, or Firm* — Kenneth Metolench-Salas

(57) **CLAIM**

The ornamental design for footwear, as shown and described.

DESCRIPTION

FIG. 1 is a perspective view of footwear with a foot inserted therethrough;
 FIG. 2 is a perspective view of footwear;
 FIG. 3 is a front view thereof;
 FIG. 4 is a rear view thereof;
 FIG. 5 is a left side view thereof;
 FIG. 6 is a right side view thereof;
 FIG. 7 is a top view thereof; and
 FIG. 8 is a bottom view thereof.
 The broken lines in the drawings represent unclaimed subject matter.

1 Claim, 5 Drawing Sheets

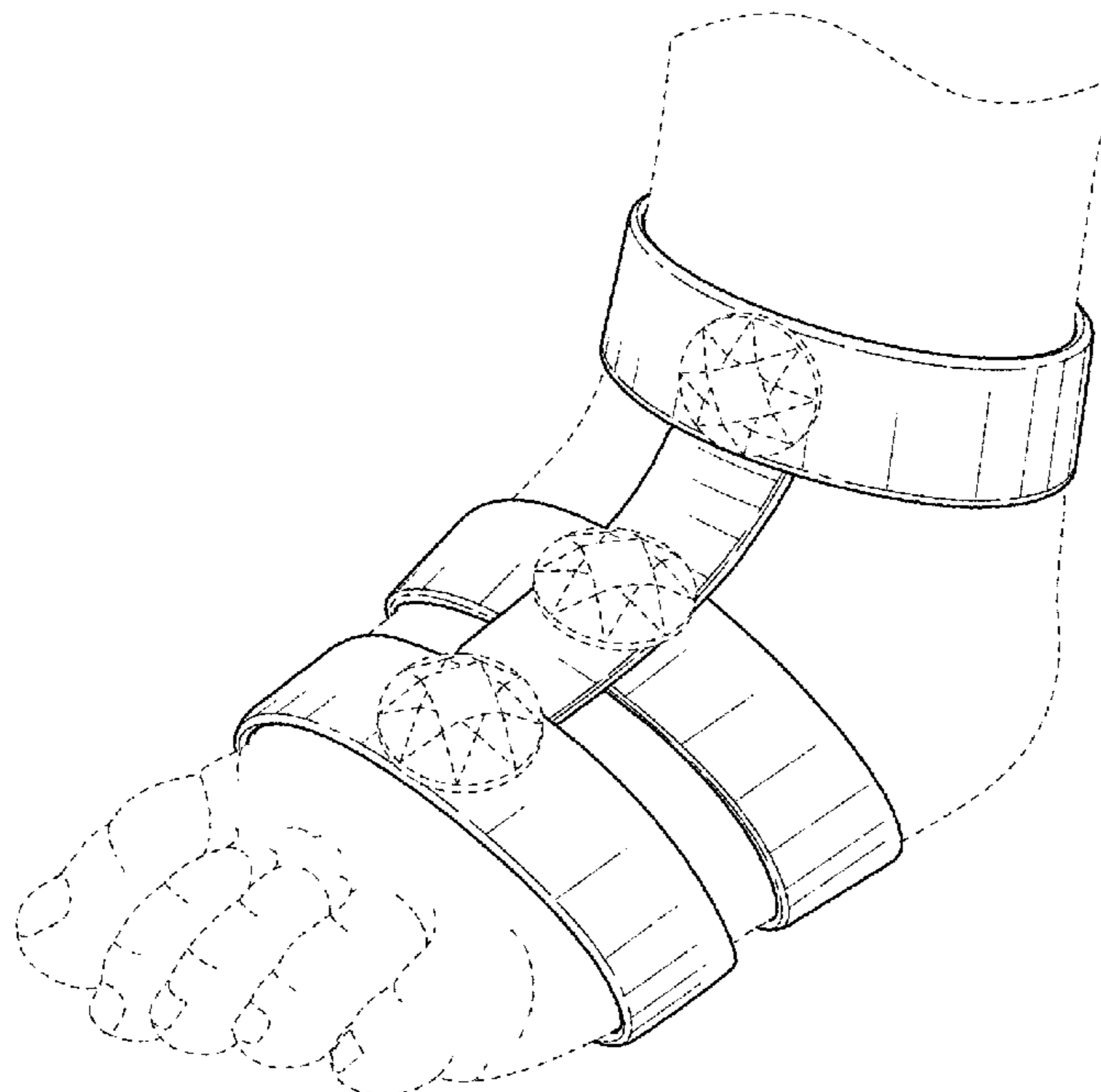




FIG. 1

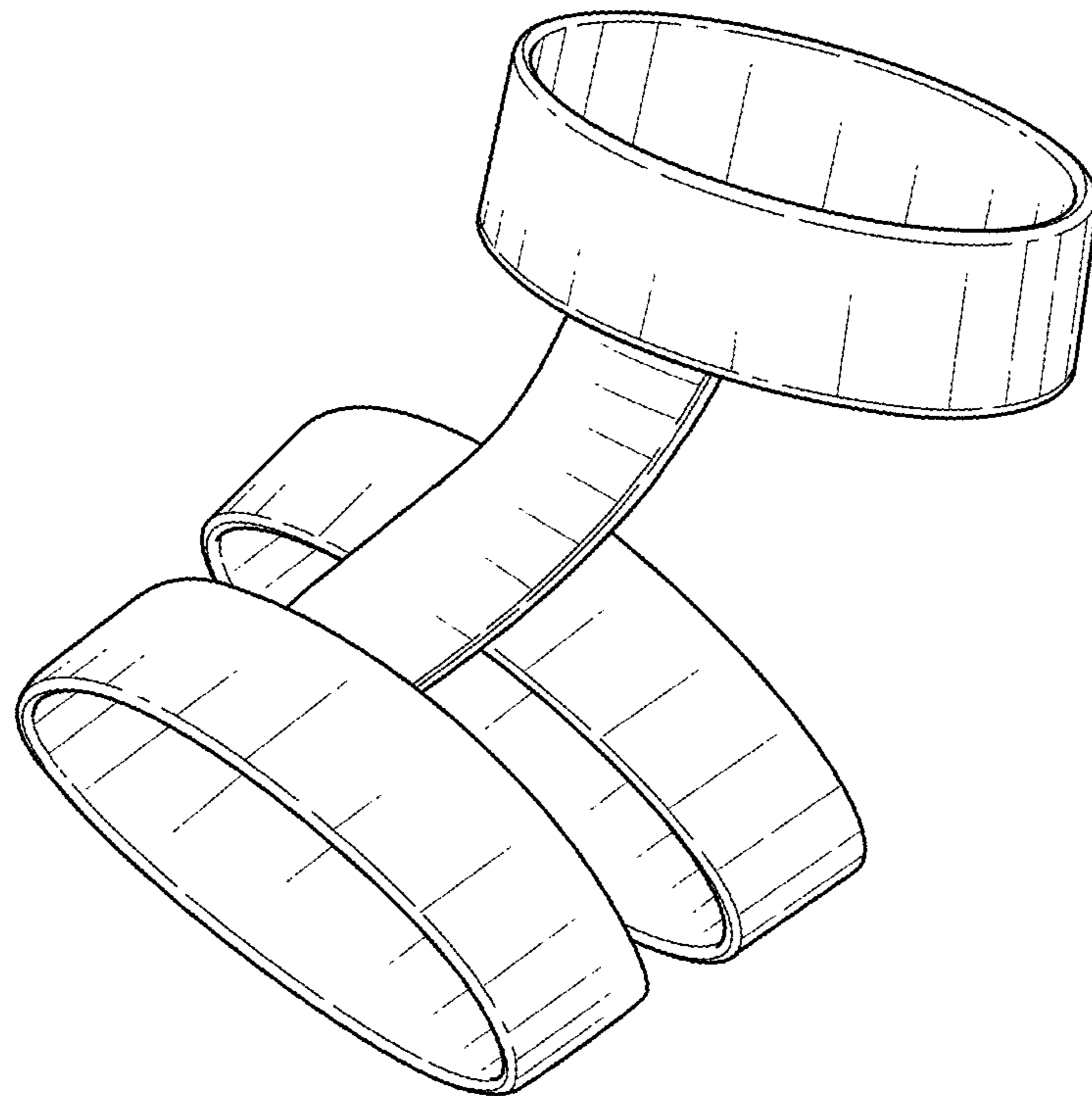


FIG. 2

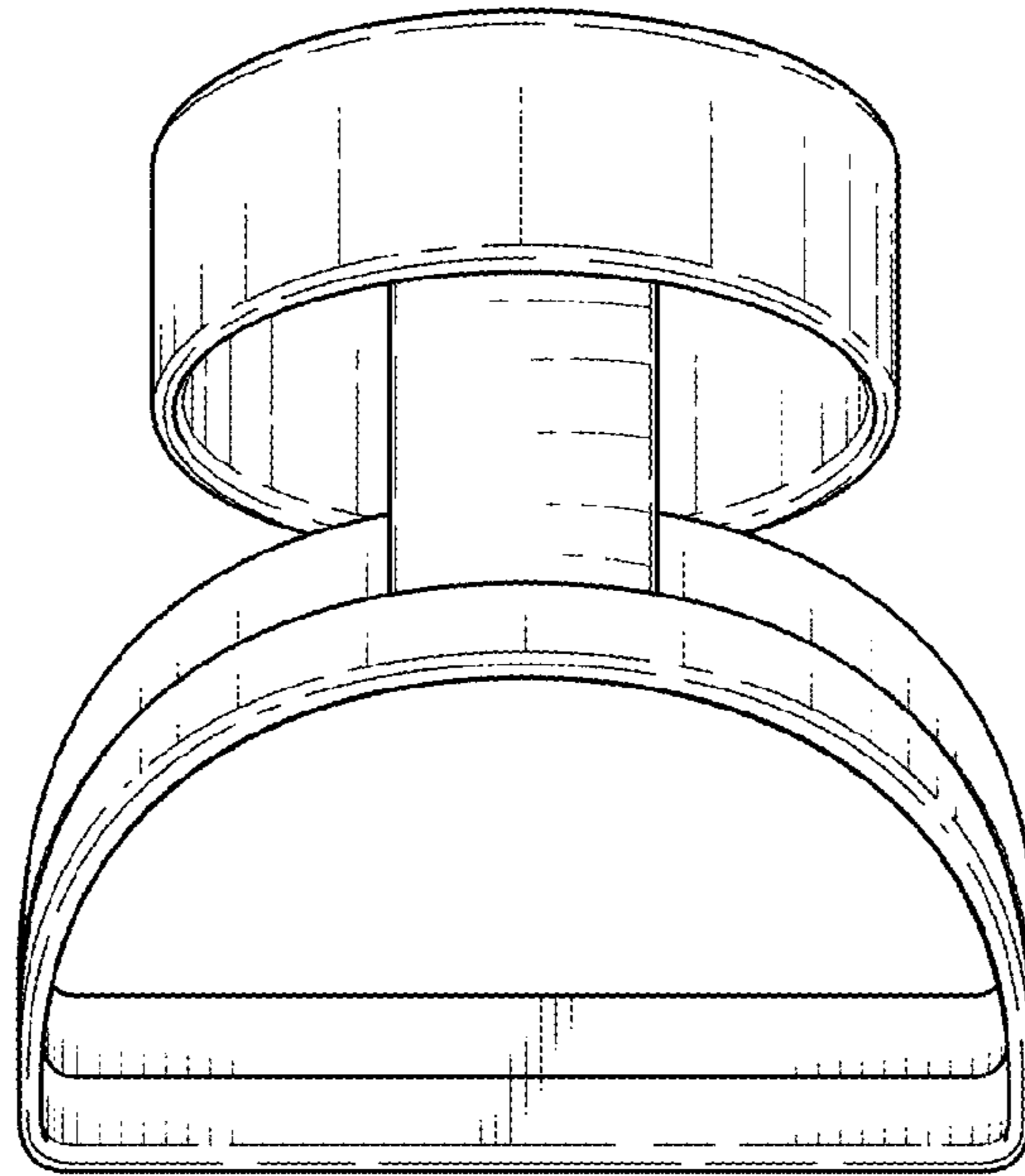


FIG. 3

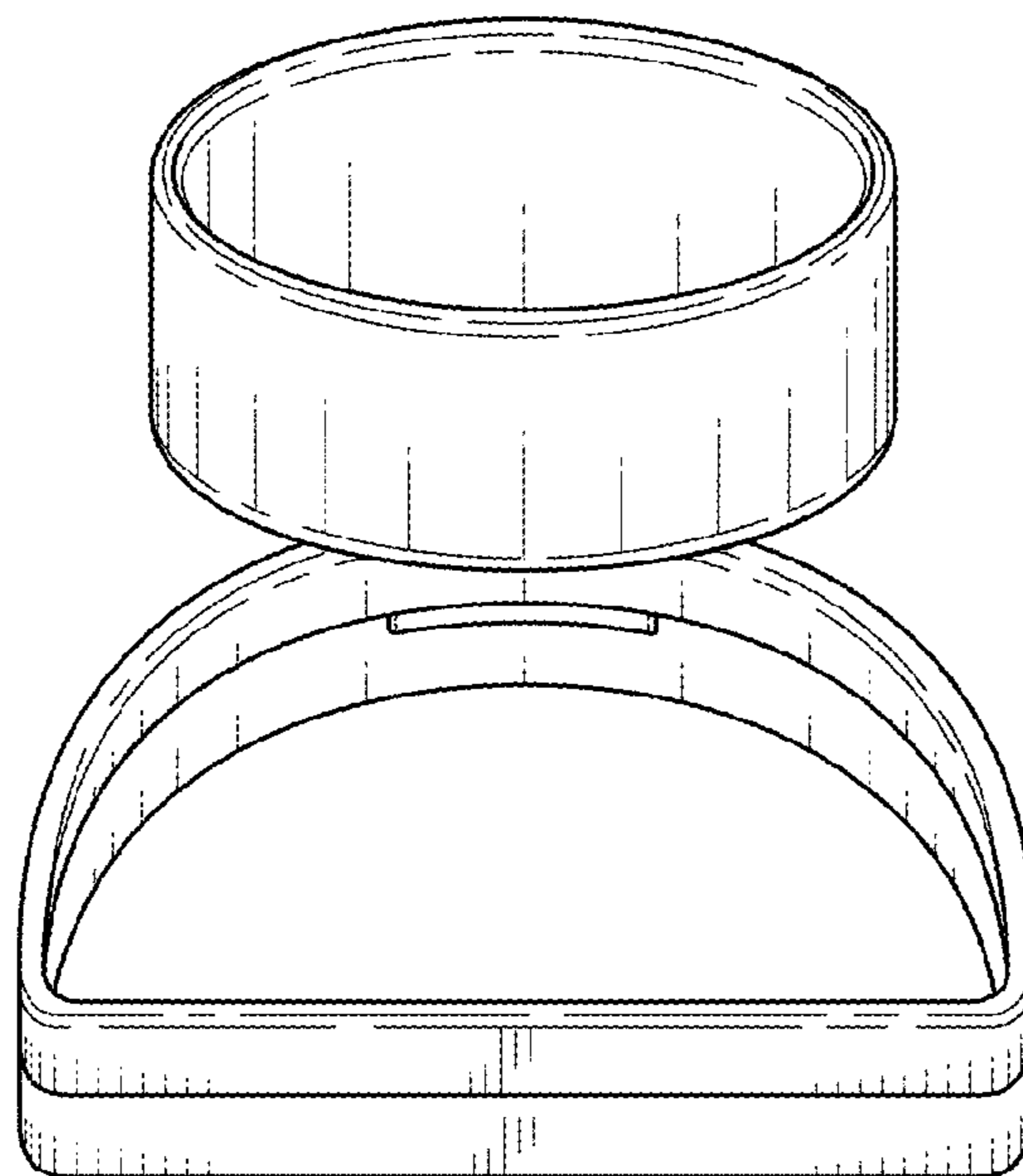


FIG. 4

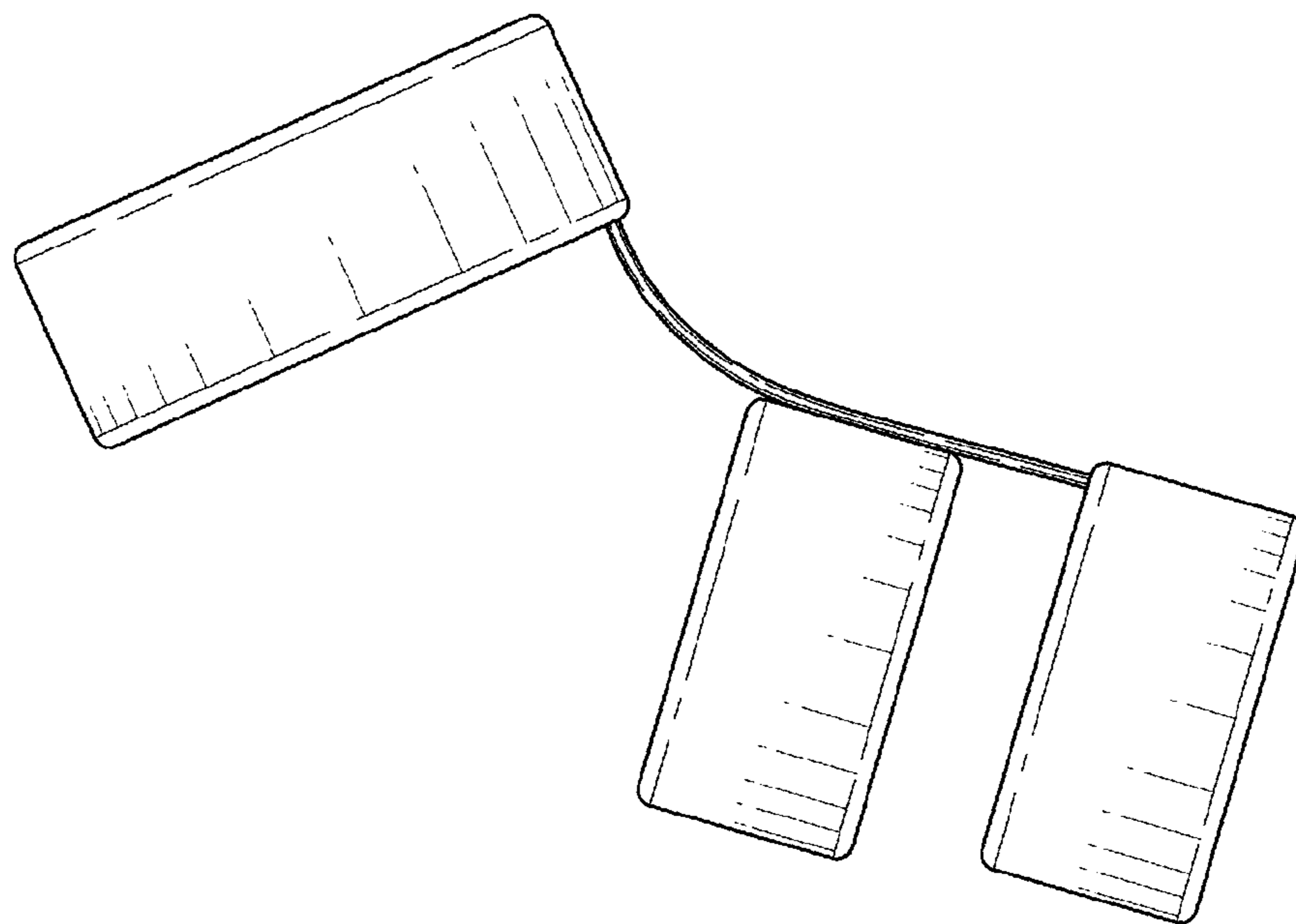


FIG. 5

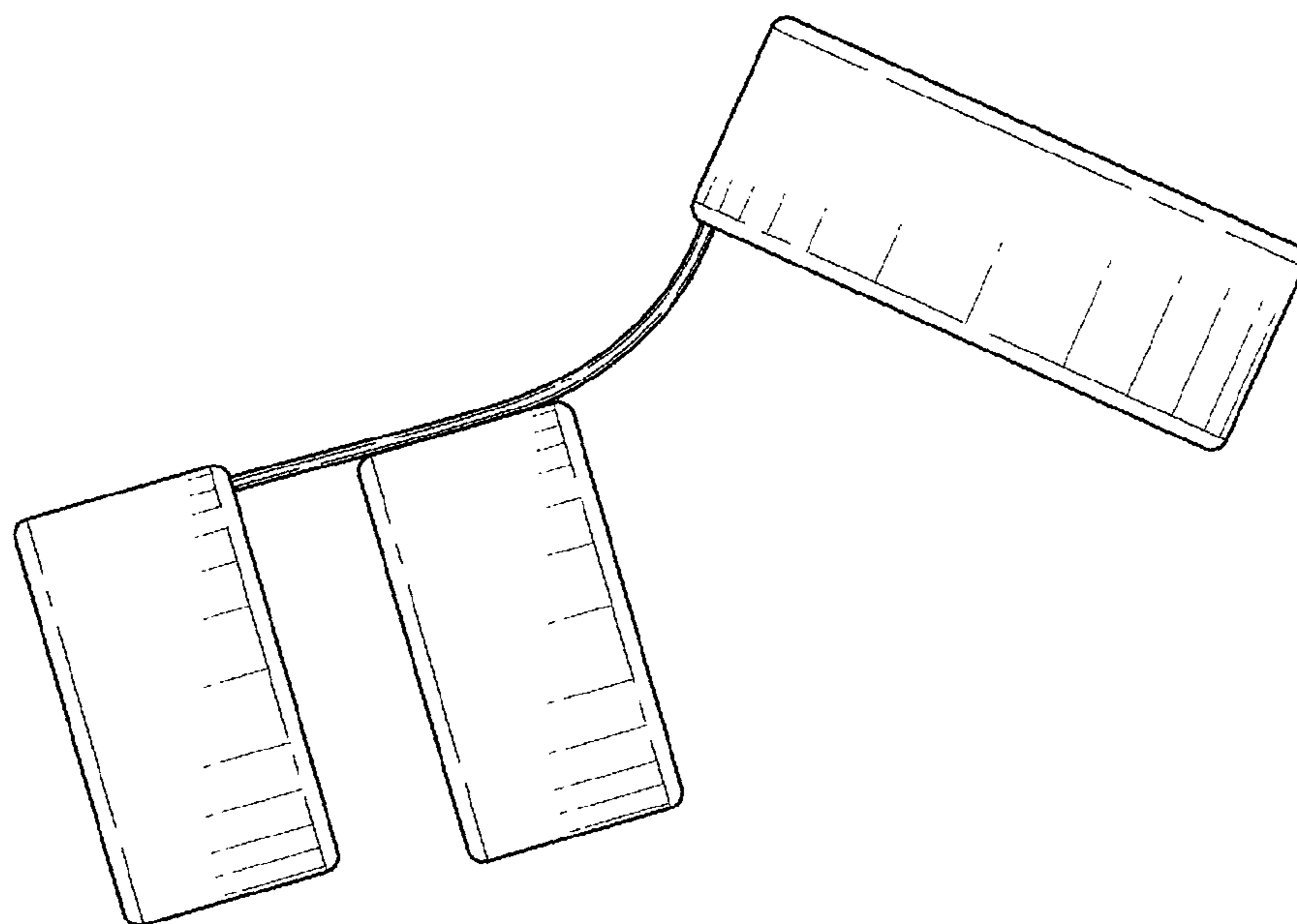


FIG. 6

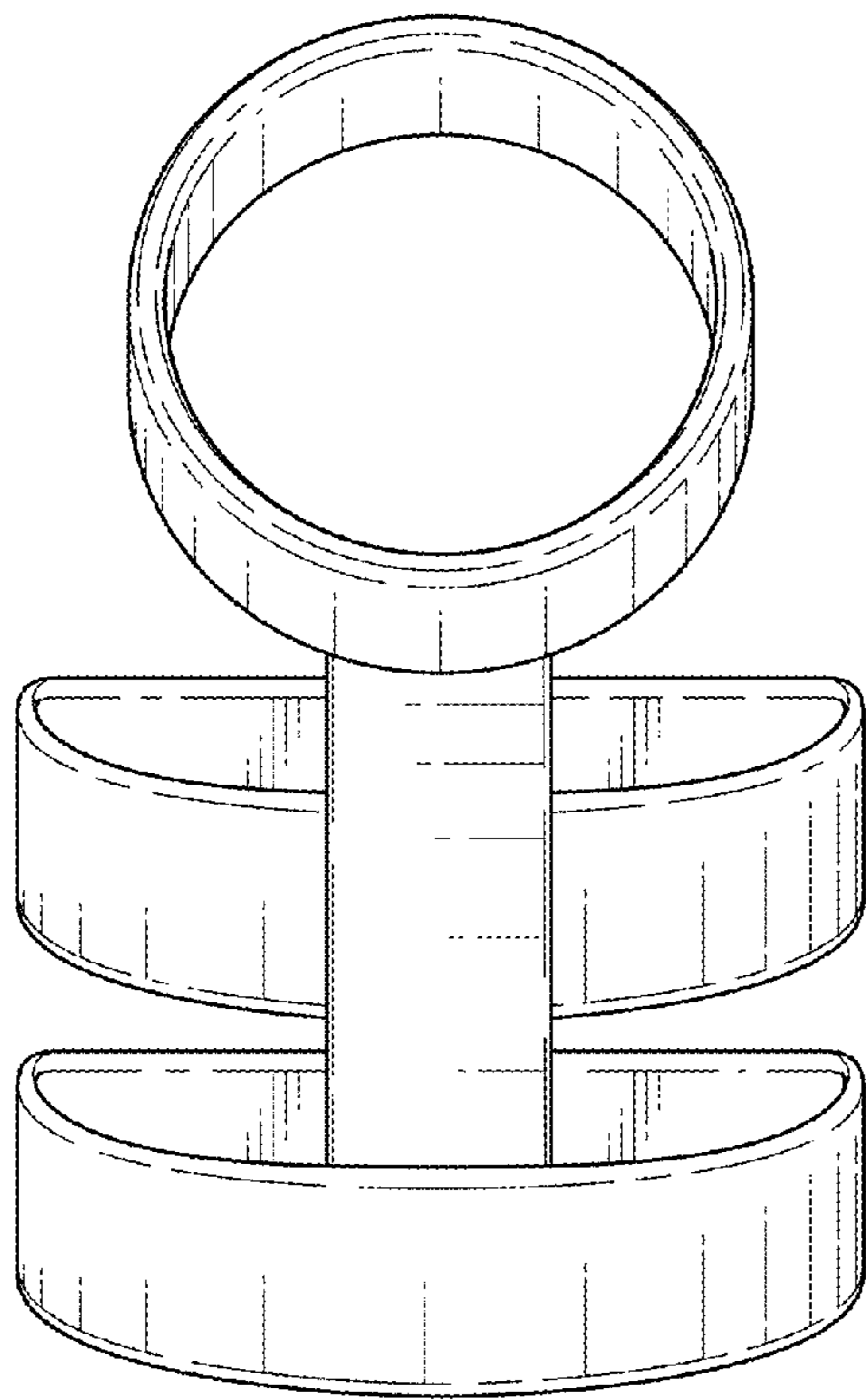


FIG. 7

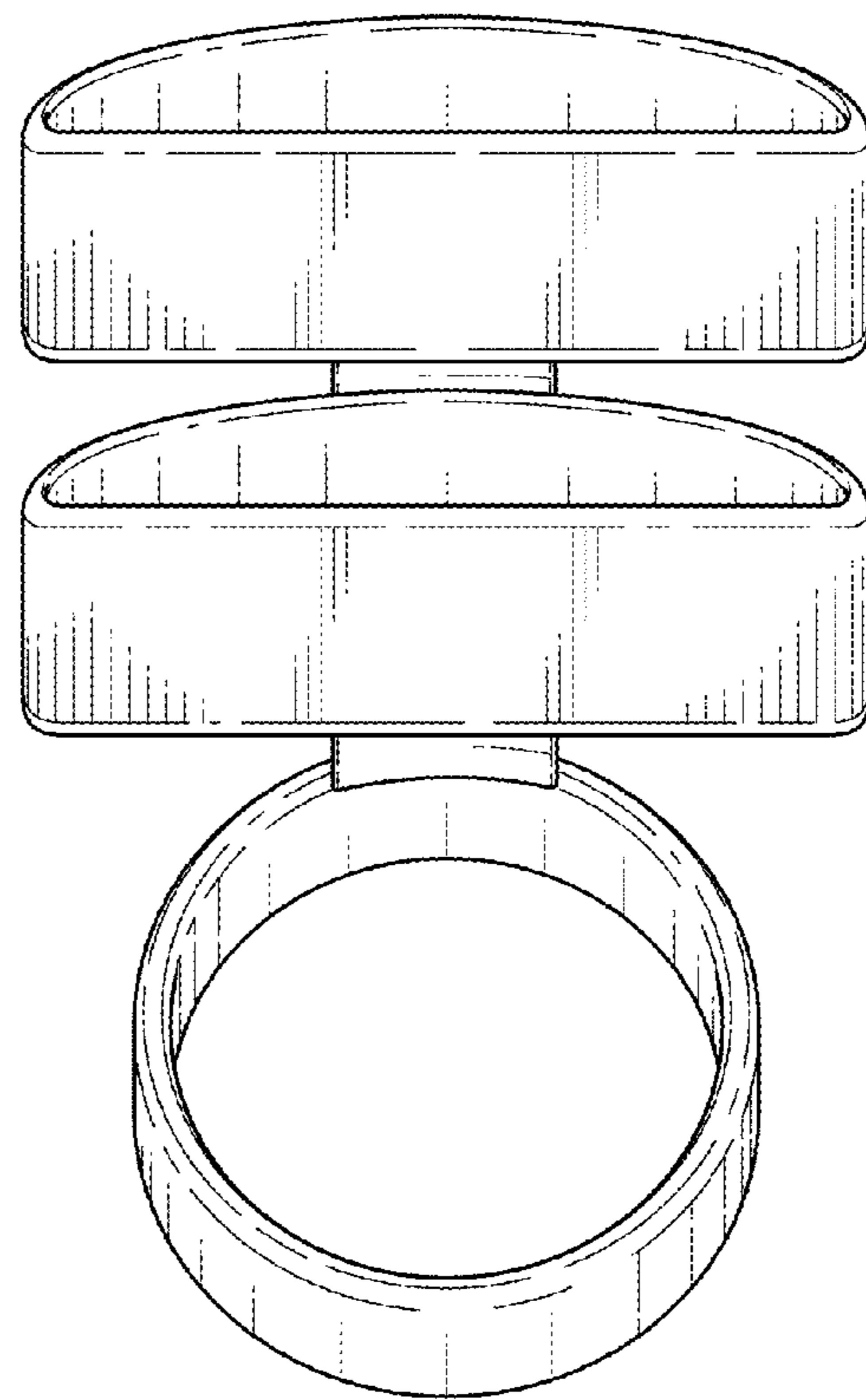


FIG. 8