

US00D737549S

(12) **United States Design Patent**
House

(10) **Patent No.:** **US D737,549 S**

(45) **Date of Patent:** **** Sep. 1, 2015**

- (54) **FOOTWEAR**
- (71) Applicant: **Hallie House**, Phoenix, AZ (US)
- (72) Inventor: **Hallie House**, Phoenix, AZ (US)
- (73) Assignee: **Toebloms, LLC**, Phoenix, AZ (US)
- (**) Term: **14 Years**
- (21) Appl. No.: **29/509,082**
- (22) Filed: **Nov. 13, 2014**

| | | | | |
|-------------------|---------|------------|-------|---------|
| 1,717,609 A * | 6/1929 | Arthur | | 602/66 |
| 1,930,188 A * | 10/1933 | Arthur | | 602/66 |
| 2,237,652 A * | 4/1941 | Capezio | | 36/8.3 |
| D525,417 S * | 7/2006 | Kelsey | | D2/969 |
| D598,559 S * | 8/2009 | Powaser | | D24/192 |
| 2008/0022555 A1 * | 1/2008 | Mor et al. | | 36/62 |

* cited by examiner

Primary Examiner — Ian Simmons

Assistant Examiner — Rashida C McCoy

(74) *Attorney, Agent, or Firm* — Kenneth Motolenich-Salas

Related U.S. Application Data

- (63) Continuation-in-part of application No. 12/885,313, filed on Sep. 17, 2010, now abandoned.

(51) **LOC (10) Cl.** **02-04**

(52) **U.S. Cl.**
USPC **D2/901; D2/900**

(58) **Field of Classification Search**
USPC D2/896, 900–907, 909, 912, 946,
D2/972–974, 980; 36/83, 88, 91, 113–116,
36/3 A, 7.1 R, 45, 94, 8.3; D24/190, 192
CPC . A43B 5/12; A43B 3/00; A43B 3/102–3/108;
A61F 5/0113
See application file for complete search history.

(56) **References Cited**

U.S. PATENT DOCUMENTS

D59,046 S * 9/1921 Ludwig D2/901

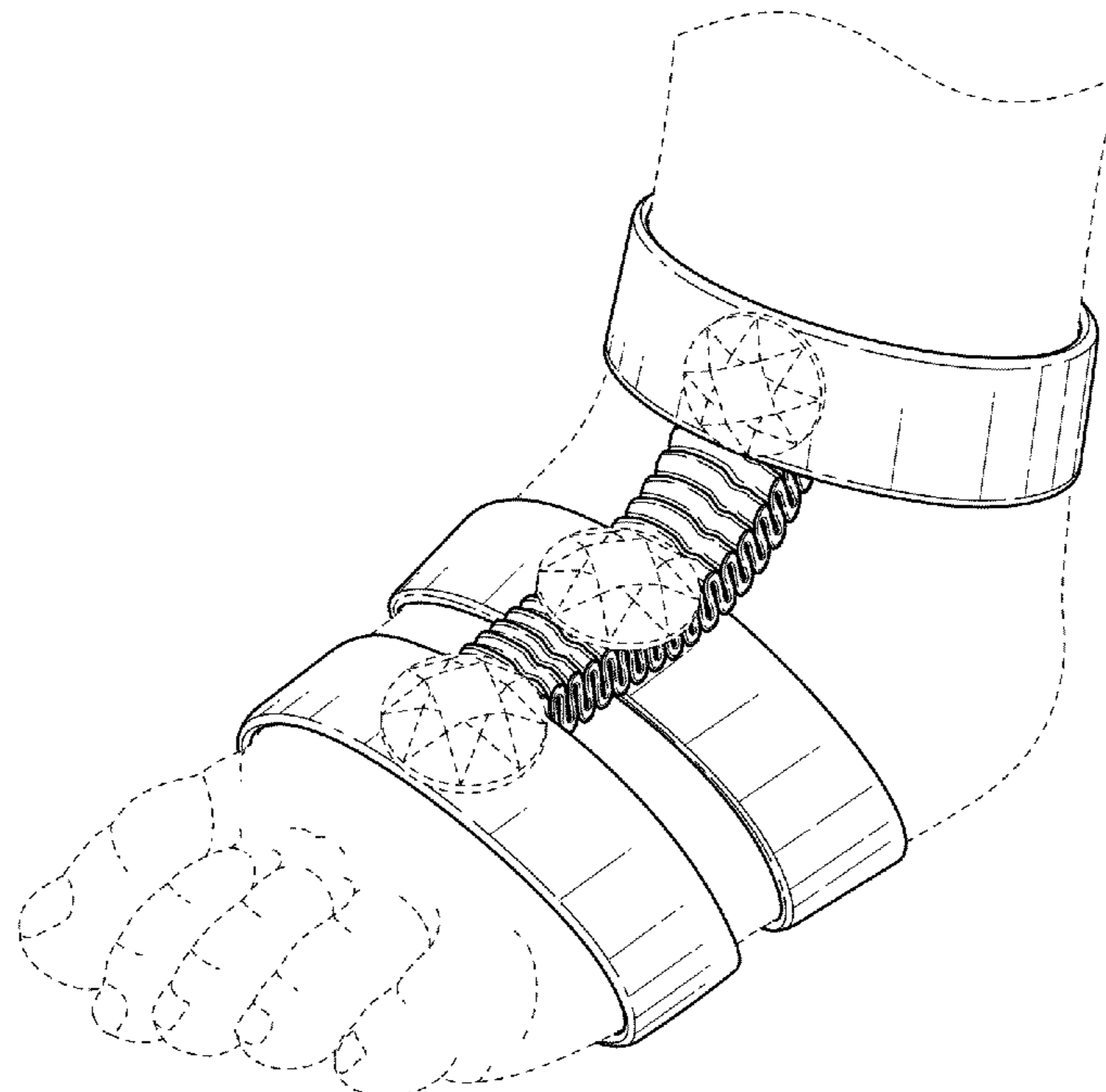
(57) **CLAIM**

The ornamental design for footwear, as shown and described.

DESCRIPTION

FIG. 1 is a perspective view of footwear with a foot inserted therethrough;
FIG. 2 is a perspective view of footwear;
FIG. 3 is a front view thereof;
FIG. 4 is a rear view thereof;
FIG. 5 is a left side view thereof;
FIG. 6 is a right side view thereof;
FIG. 7 is a top view thereof; and,
FIG. 8 is a bottom view thereof.
The broken lines in the drawings represent unclaimed subject matter.

1 Claim, 5 Drawing Sheets



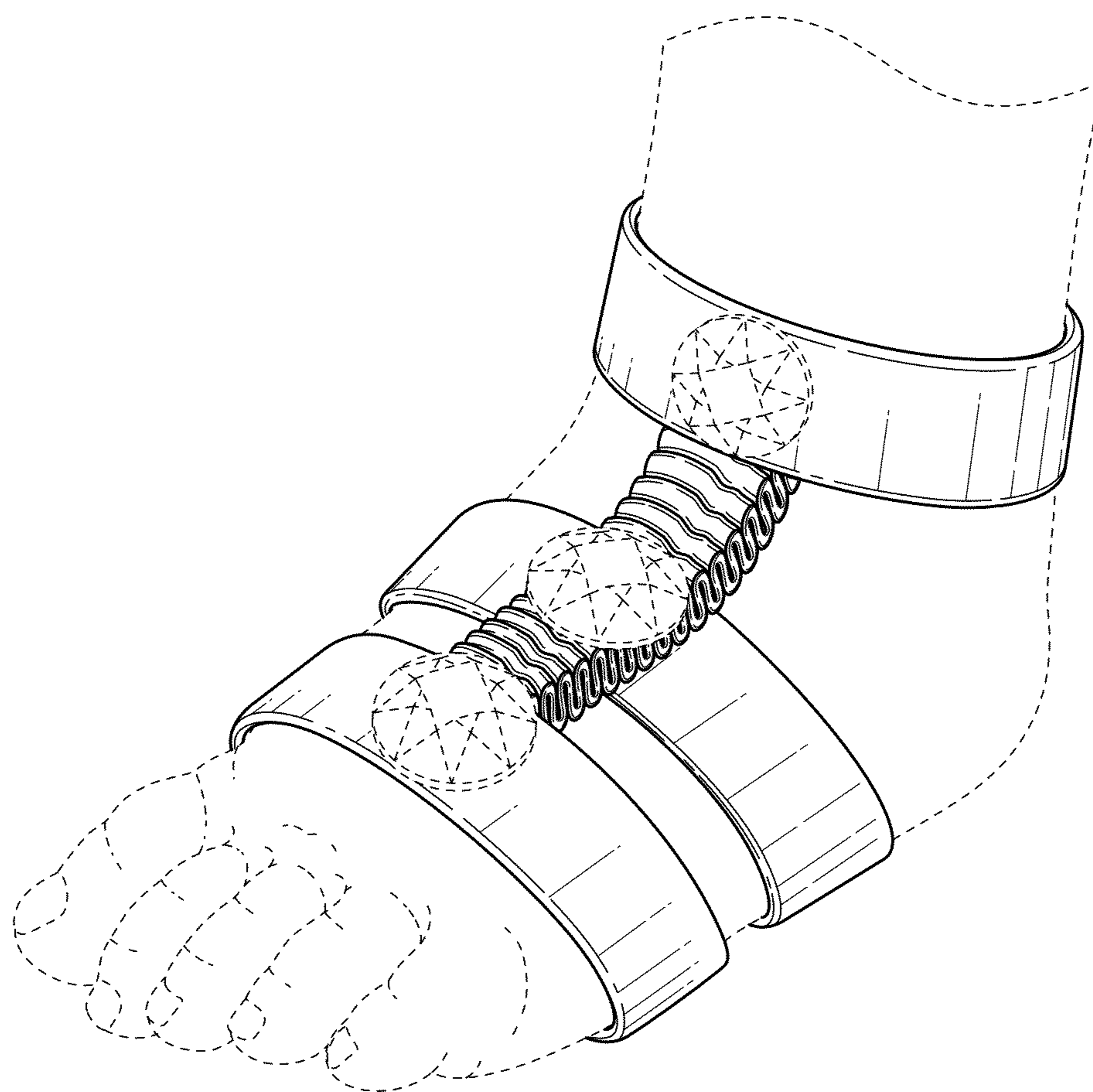


FIG. 1

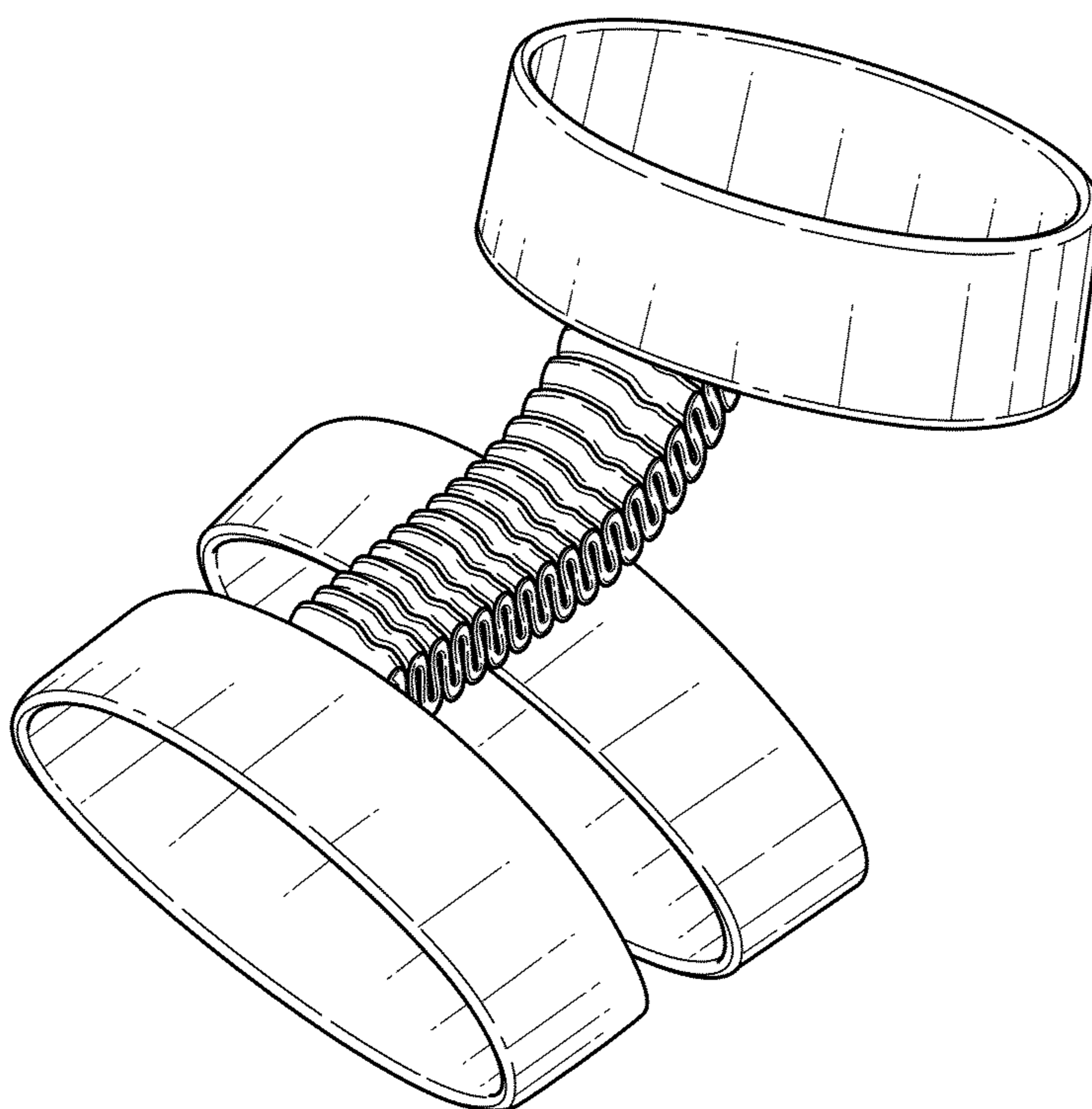


FIG. 2

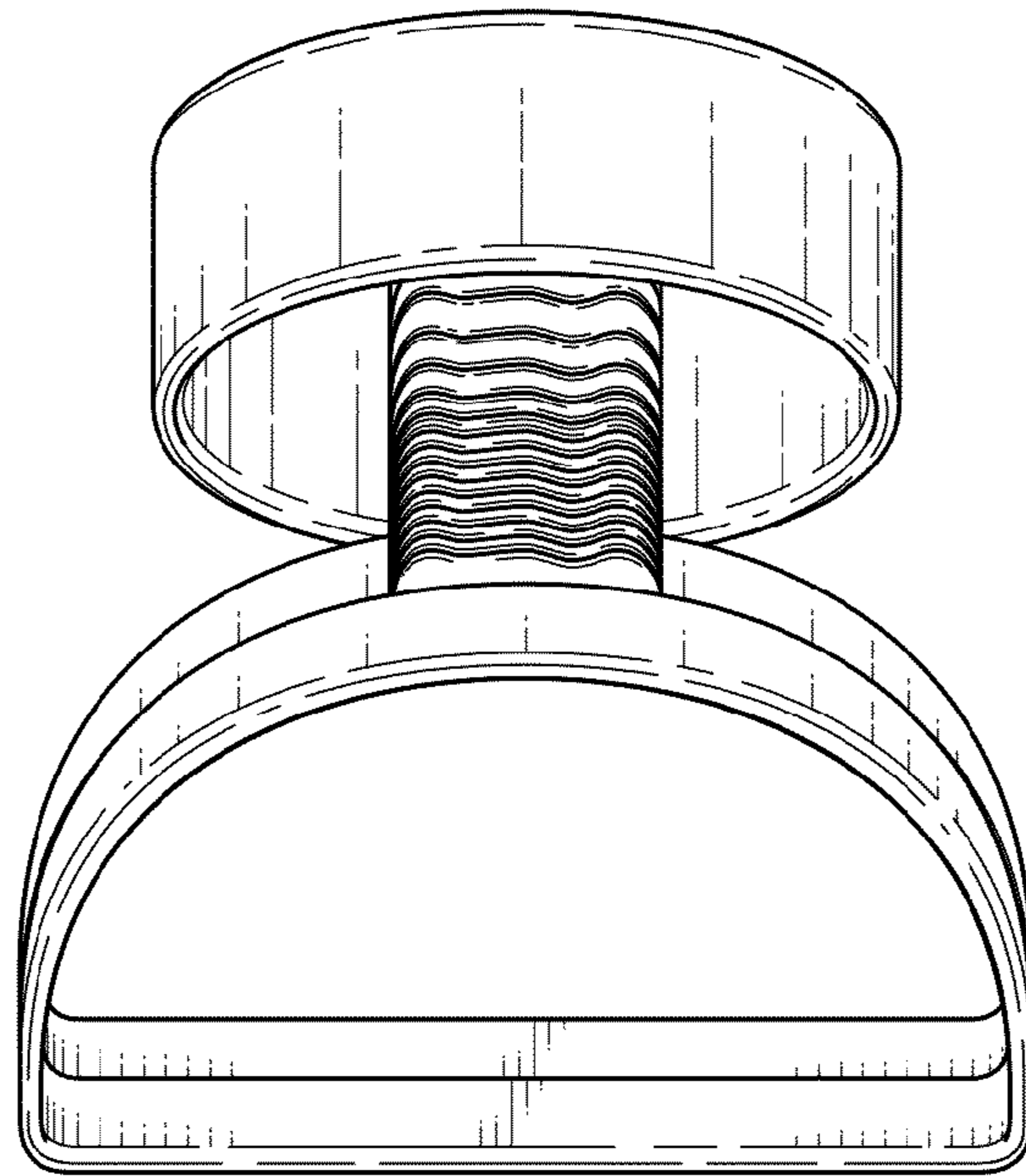


FIG. 3

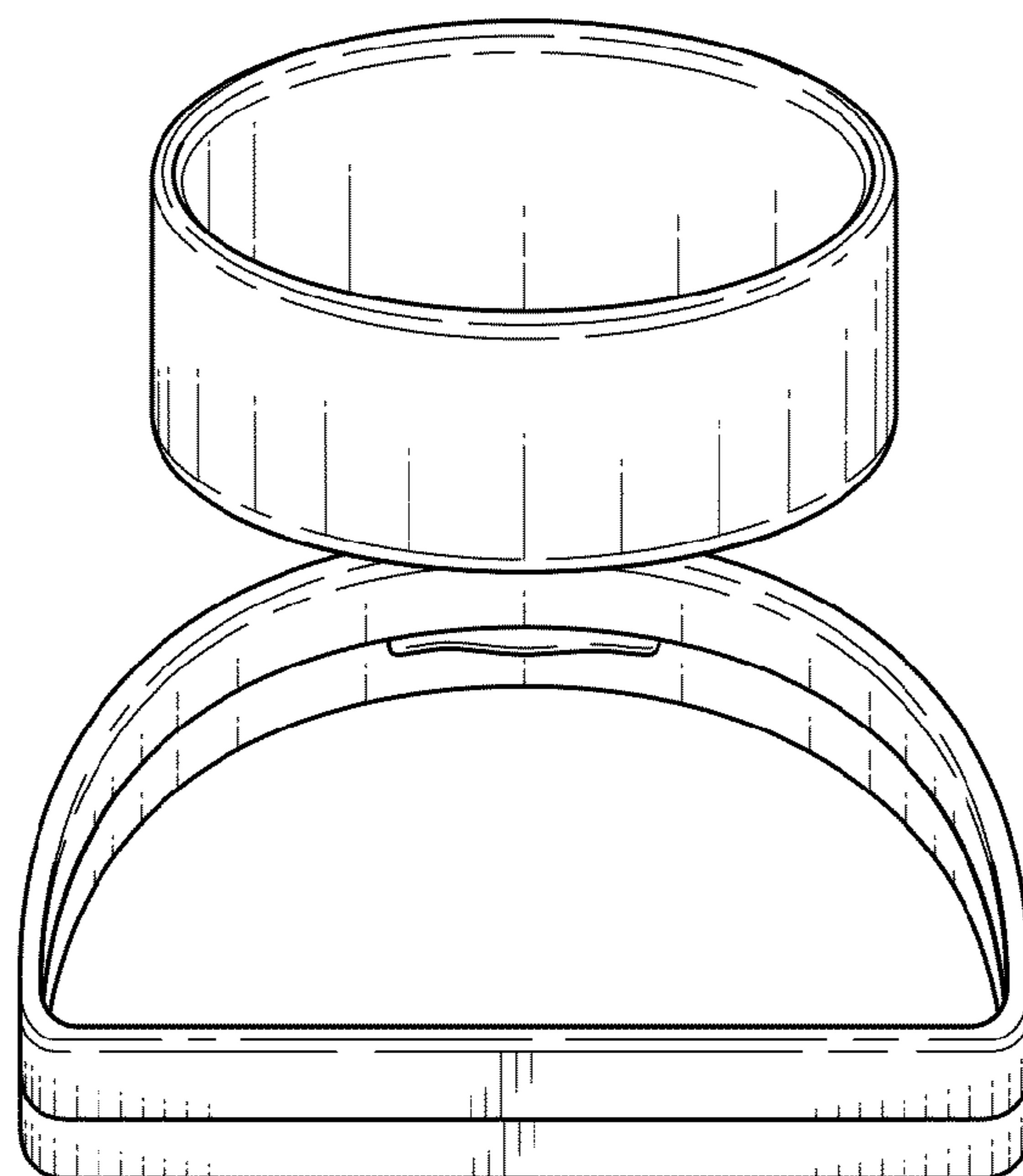


FIG. 4

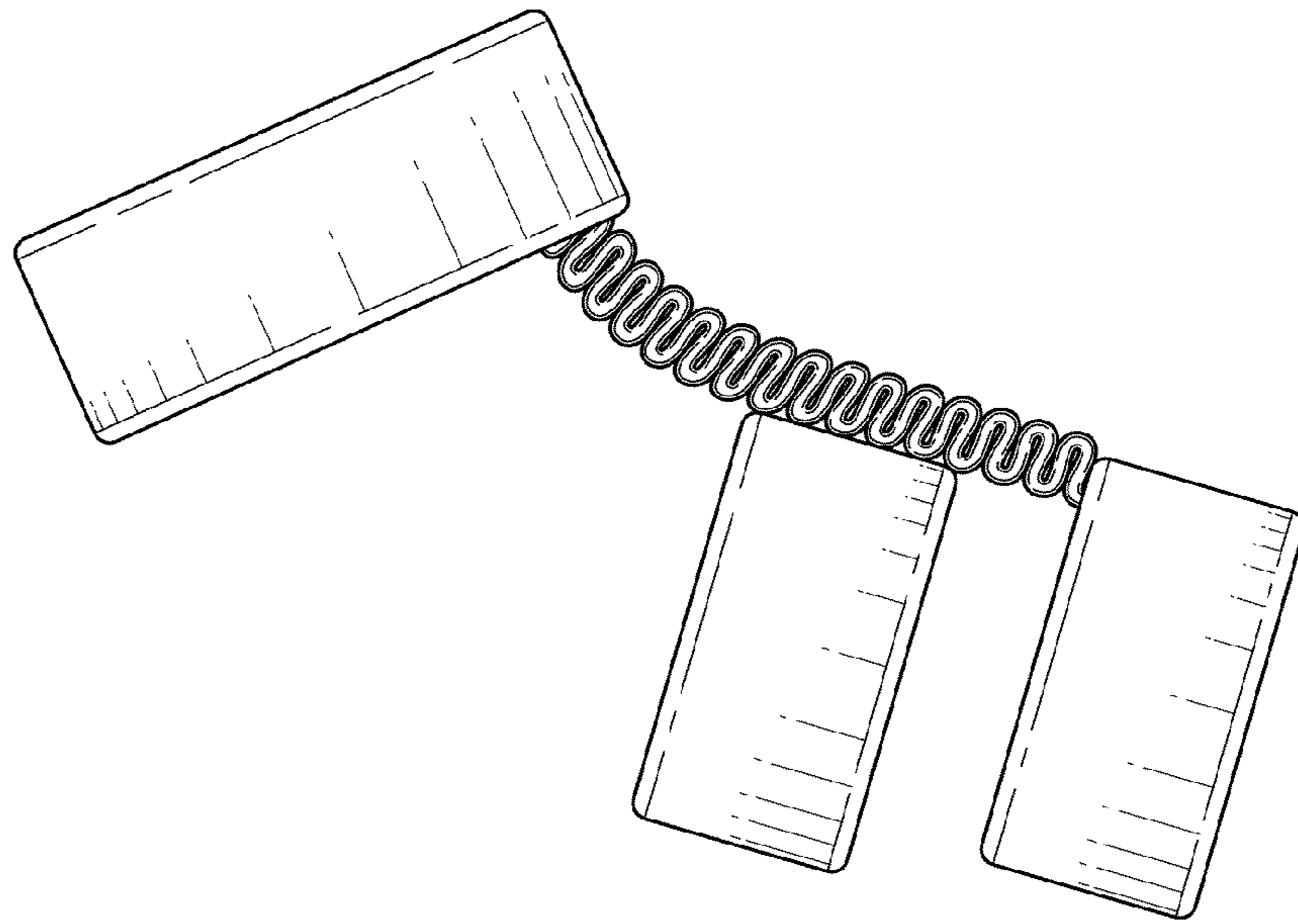


FIG. 5

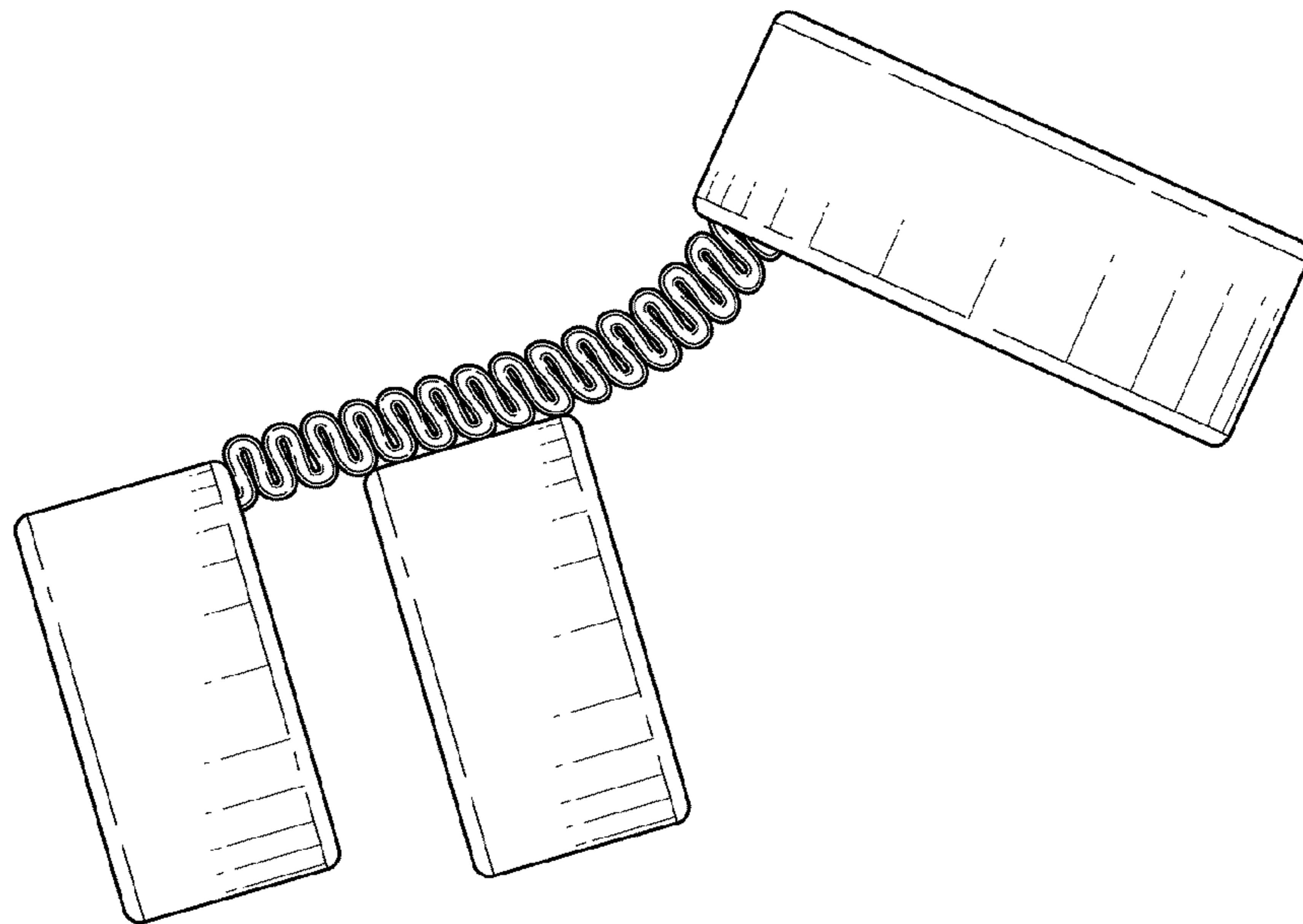


FIG. 6

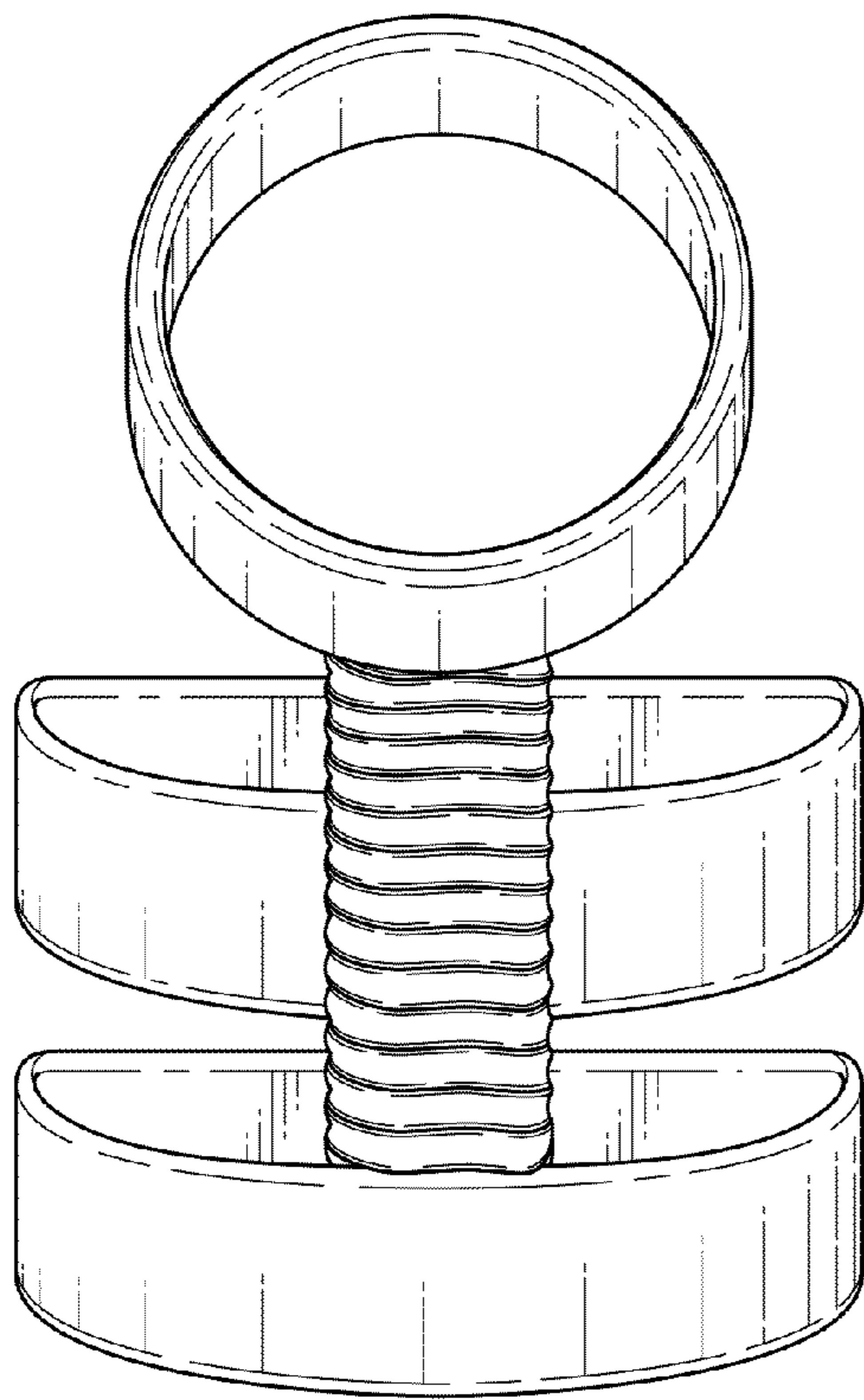


FIG. 7

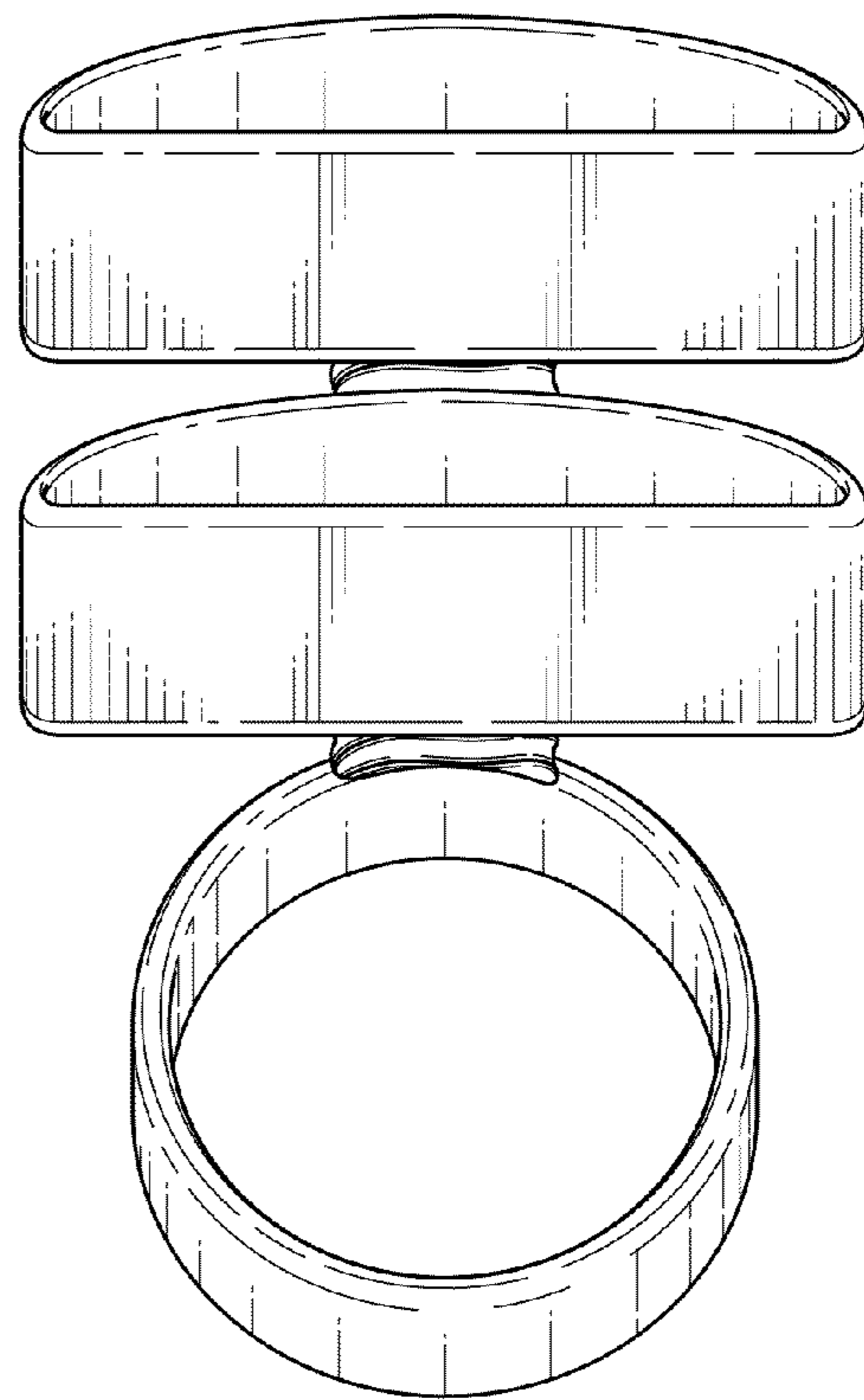


FIG. 8