



US00D737539S

(12) **United States Design Patent**
Zeppetzauer

(10) **Patent No.:** **US D737,539 S**

(45) **Date of Patent:** **** Aug. 25, 2015**

- (54) **CONTROL UNIT**
- (71) Applicant: **Palfinger AG**, Salzburg (AT)
- (72) Inventor: **Mario Zeppetzauer**, Linz (AT)
- (73) Assignee: **PALFINGER AG**, Salzburg (AT)
- (**) Term: **14 Years**
- (21) Appl. No.: **29/519,896**
- (22) Filed: **Mar. 9, 2015**

- D525,409 S 7/2006 Cantrill et al.
- D555,676 S 11/2007 Haubrich et al.
- D563,074 S 2/2008 Standke
- D566,132 S 4/2008 Mack
- D593,274 S 5/2009 Knie et al.
- D599,075 S 8/2009 Shibata et al.
- D728,187 S * 4/2015 Zeppetzauer D34/35

* cited by examiner

Primary Examiner — Cynthia Ramirez

(74) *Attorney, Agent, or Firm* — Wenderoth, Lind & Ponack, L.L.P.

(57) **CLAIM**

The ornamental design for a control unit, as shown and described.

DESCRIPTION

FIG. 1 is a front perspective view of an embodiment of a control unit;
 FIG. 2 is a rear perspective view thereof;
 FIG. 3 is a left side view thereof;
 FIG. 4 is a right side view thereof;
 FIG. 5 is a rear view thereof;
 FIG. 6 is a front view thereof;
 FIG. 7 is a bottom view thereof; and,
 FIG. 8 is a top view thereof.

The broken lines shown in the figures are included for the purpose of illustrating portions of the control unit and form no part of the claimed design.

Related U.S. Application Data

- (62) Division of application No. 29/449,657, filed on Mar. 15, 2013, now Pat. No. Des. 728,187.
- (51) **LOC (10) Cl.** **12-05**
- (52) **U.S. Cl.**
USPC **D34/35**
- (58) **Field of Classification Search**
USPC D34/28, 34; D12/192, 400, 415;
180/19.1, 19.3, 90; 280/43.12, 752
See application file for complete search history.

(56) **References Cited**

U.S. PATENT DOCUMENTS

- D374,535 S 10/1996 Feider et al.
- D432,963 S 10/2000 Meinhardt

1 Claim, 8 Drawing Sheets

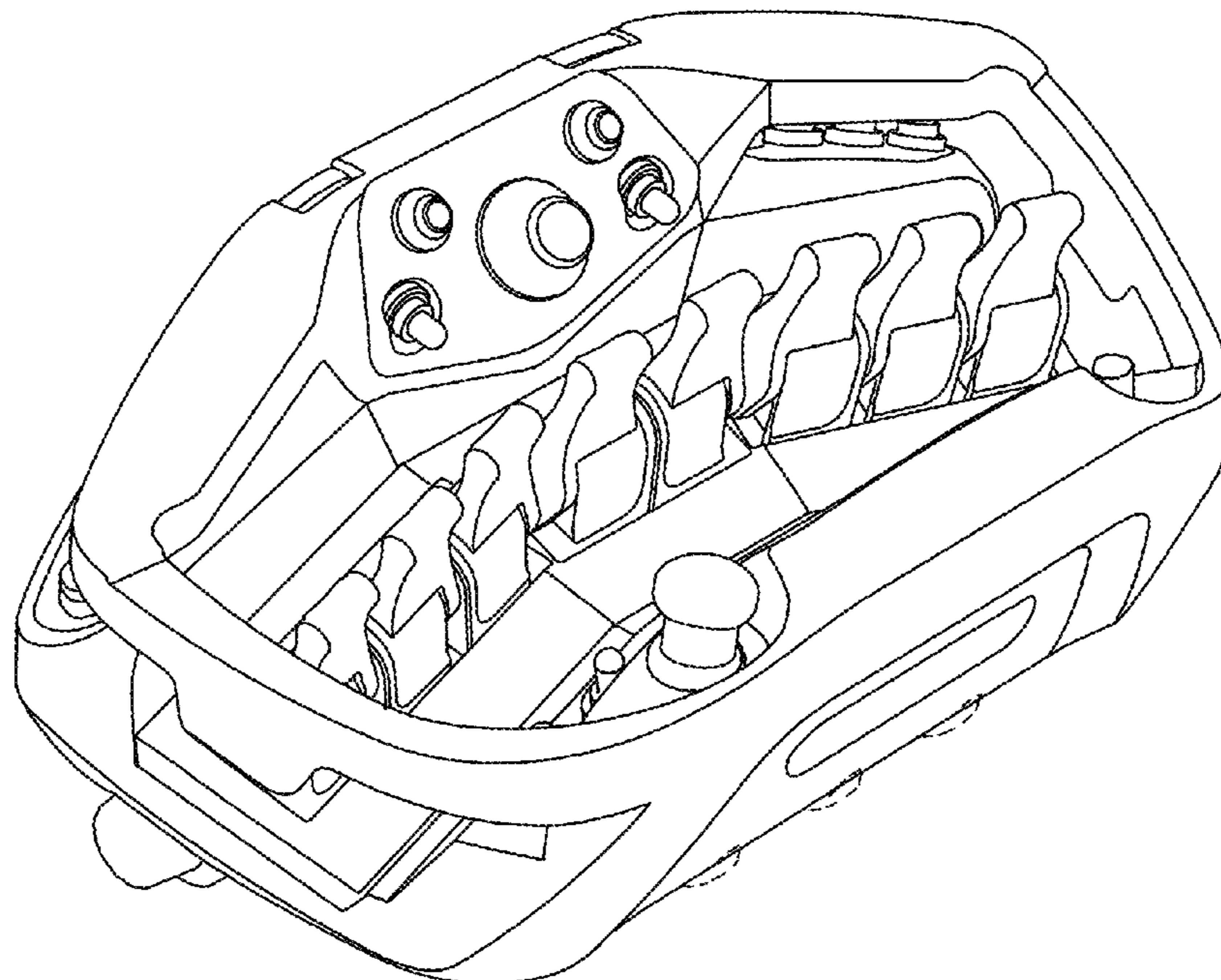


Fig. 1

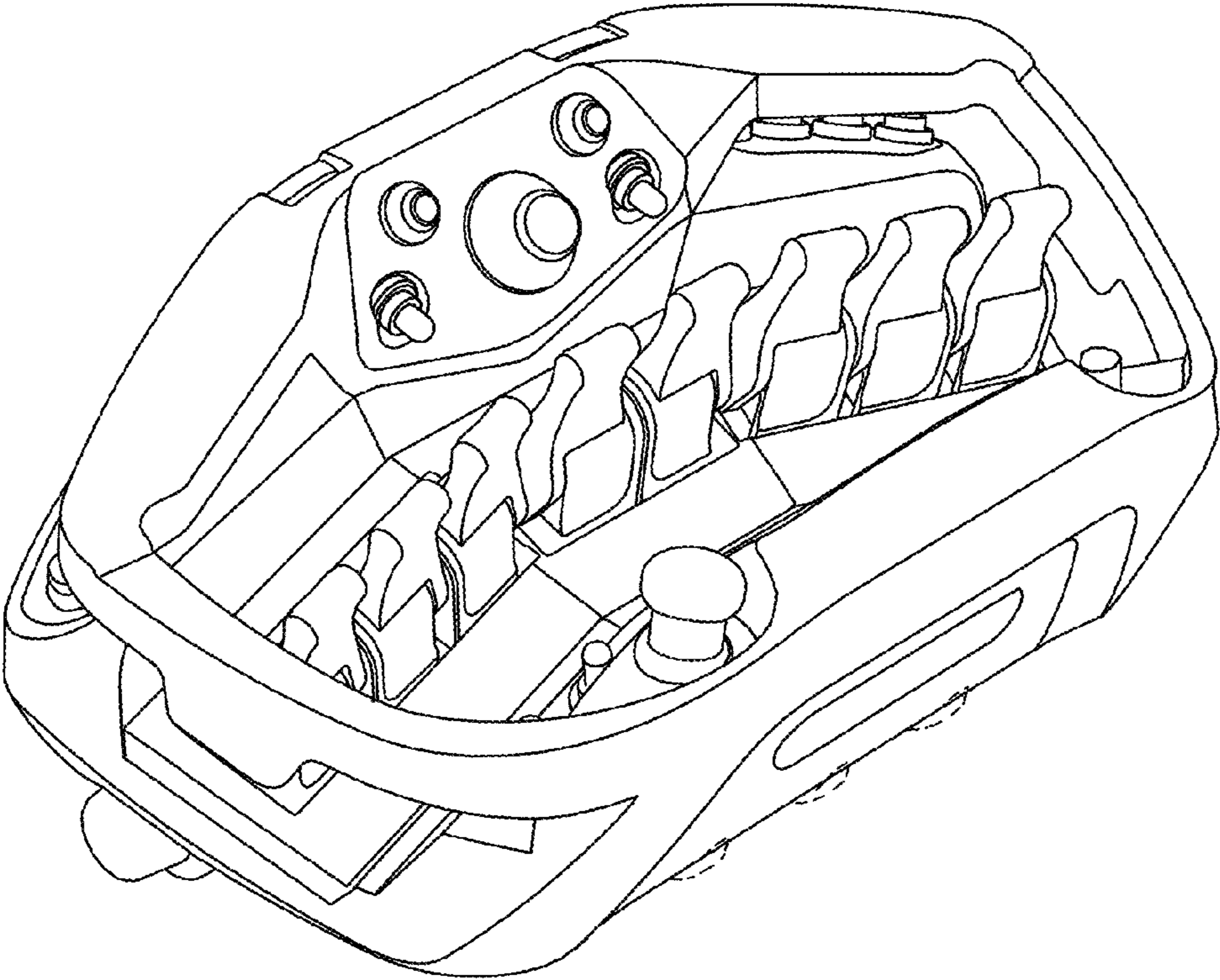


Fig. 2

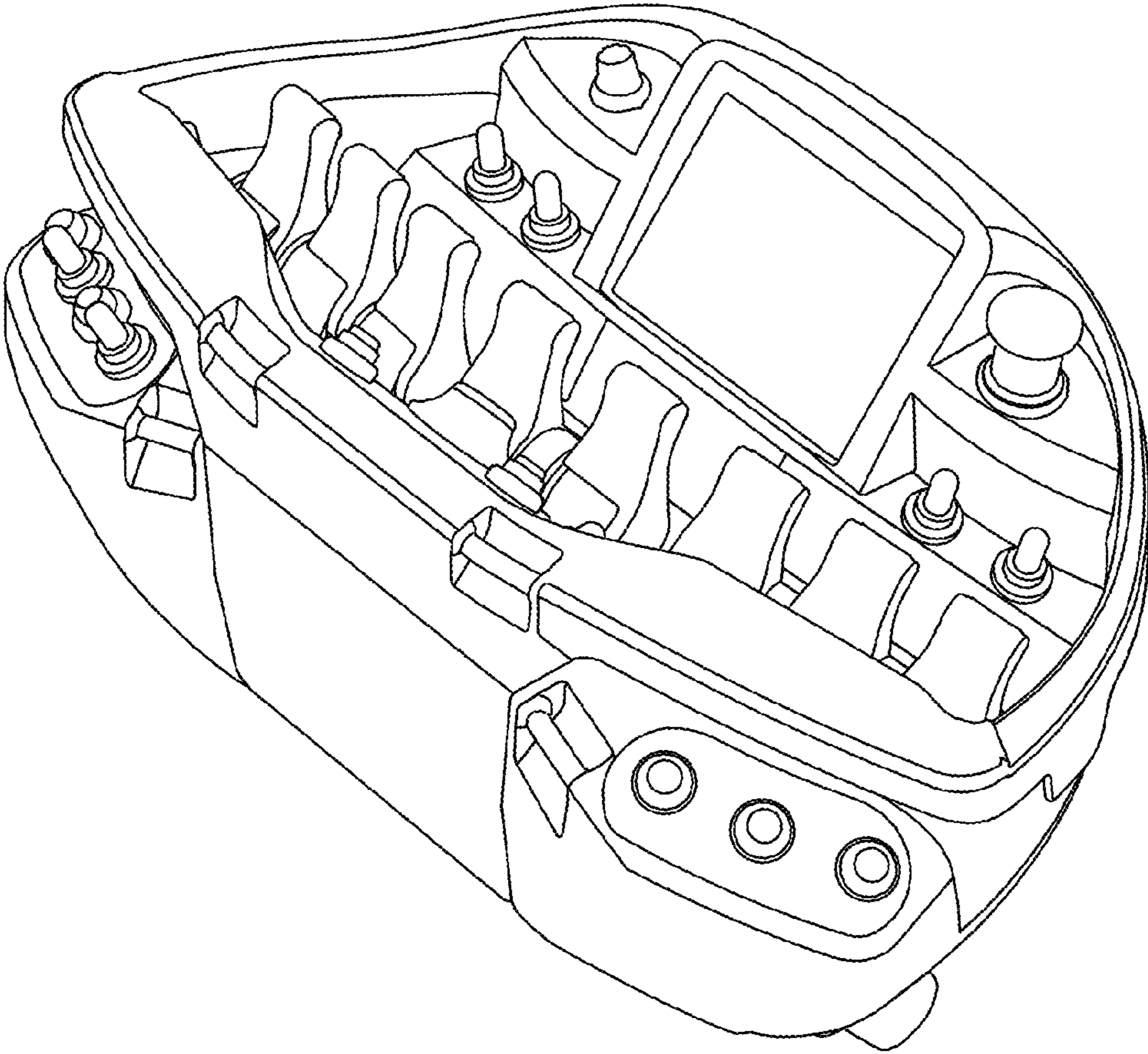


Fig. 3

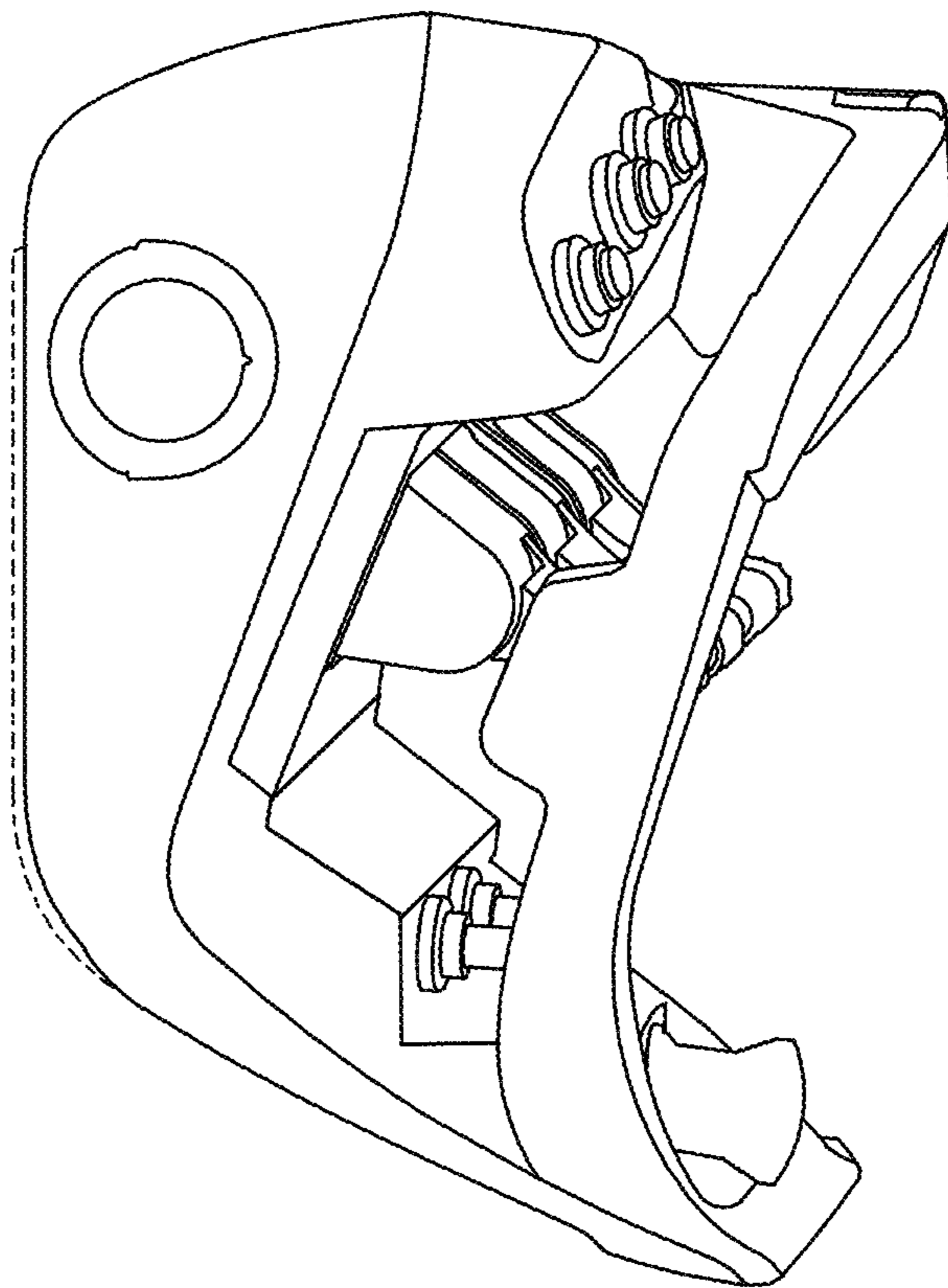


Fig. 4

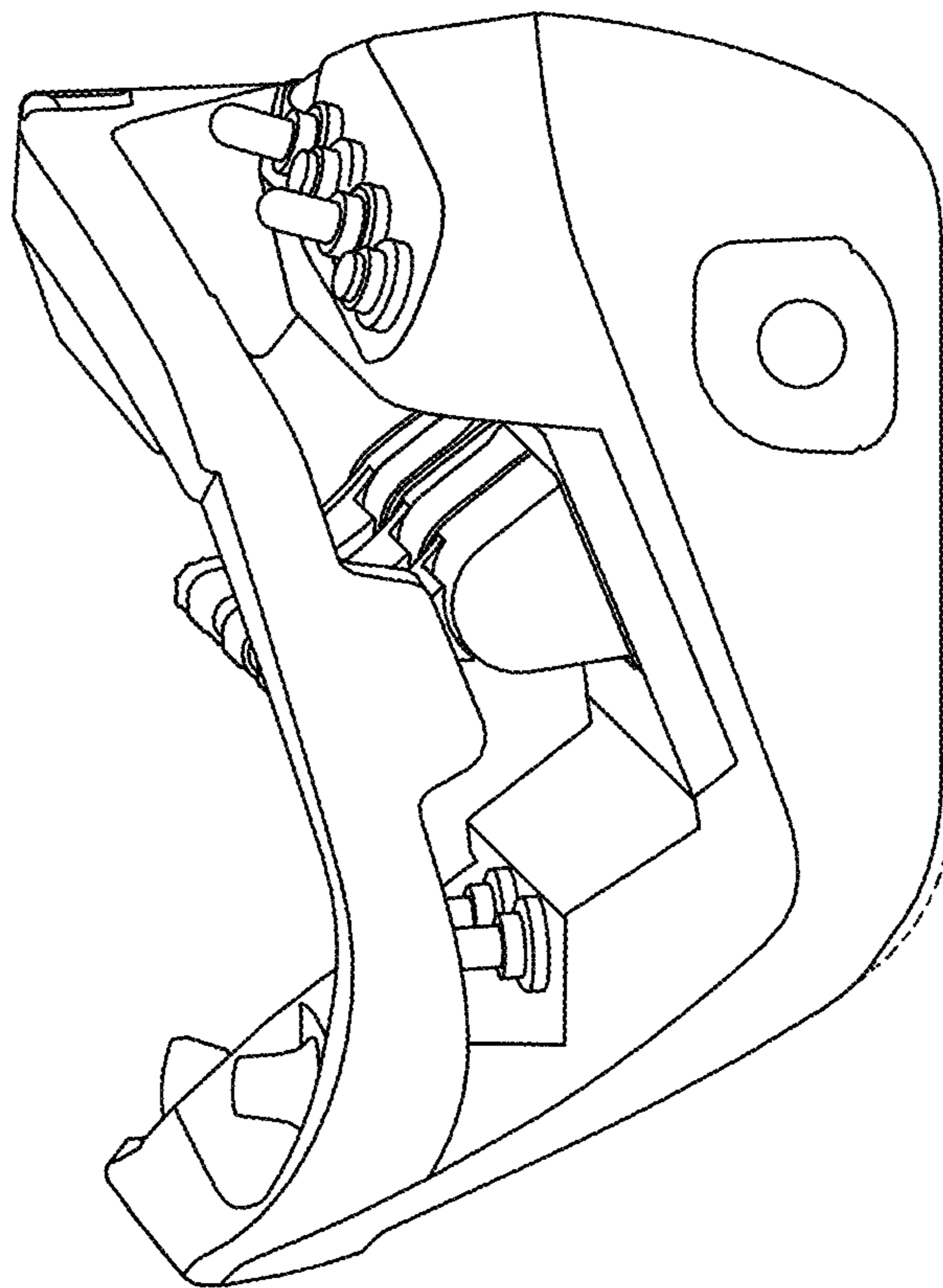


Fig. 5

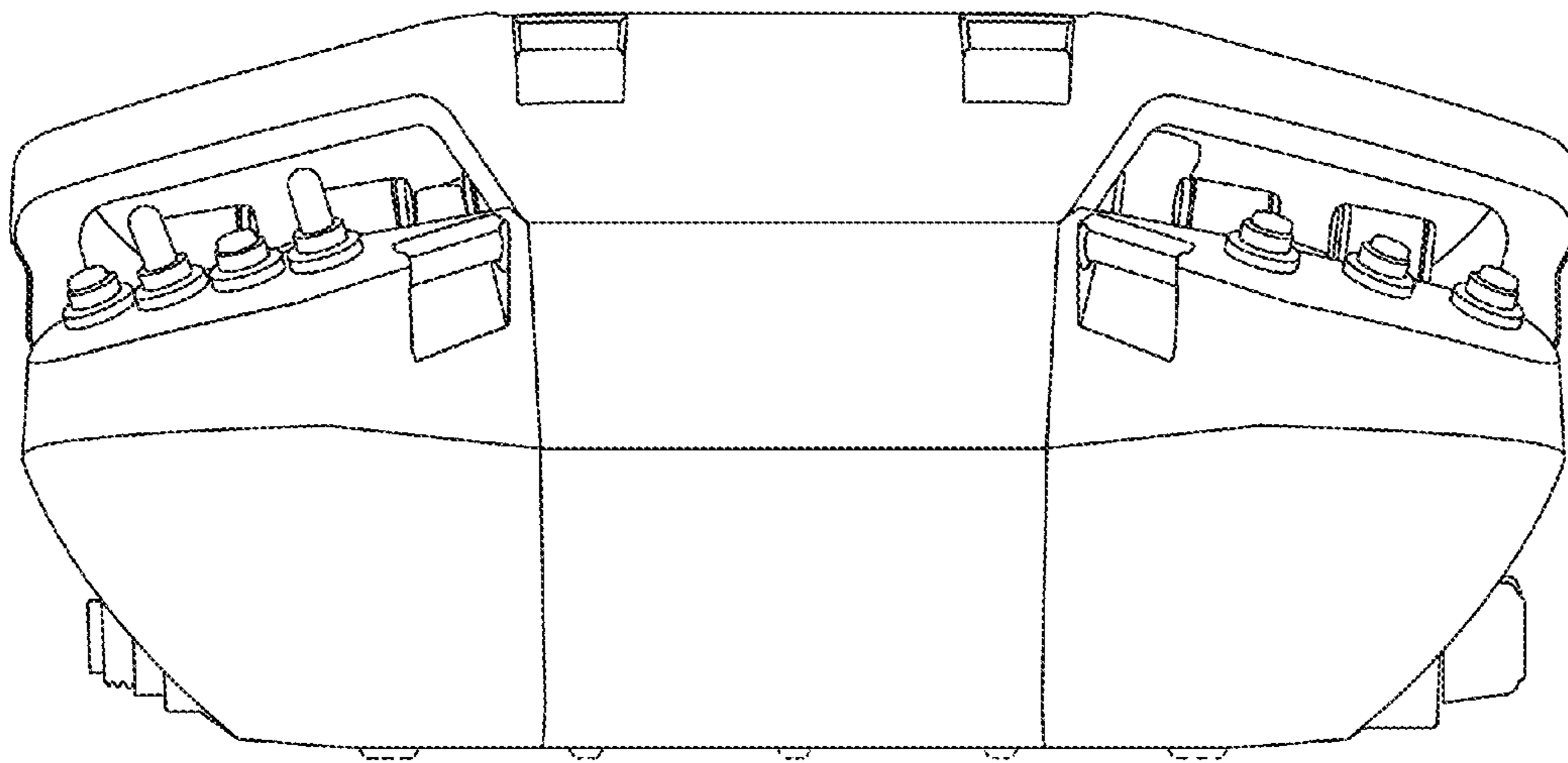


Fig. 6

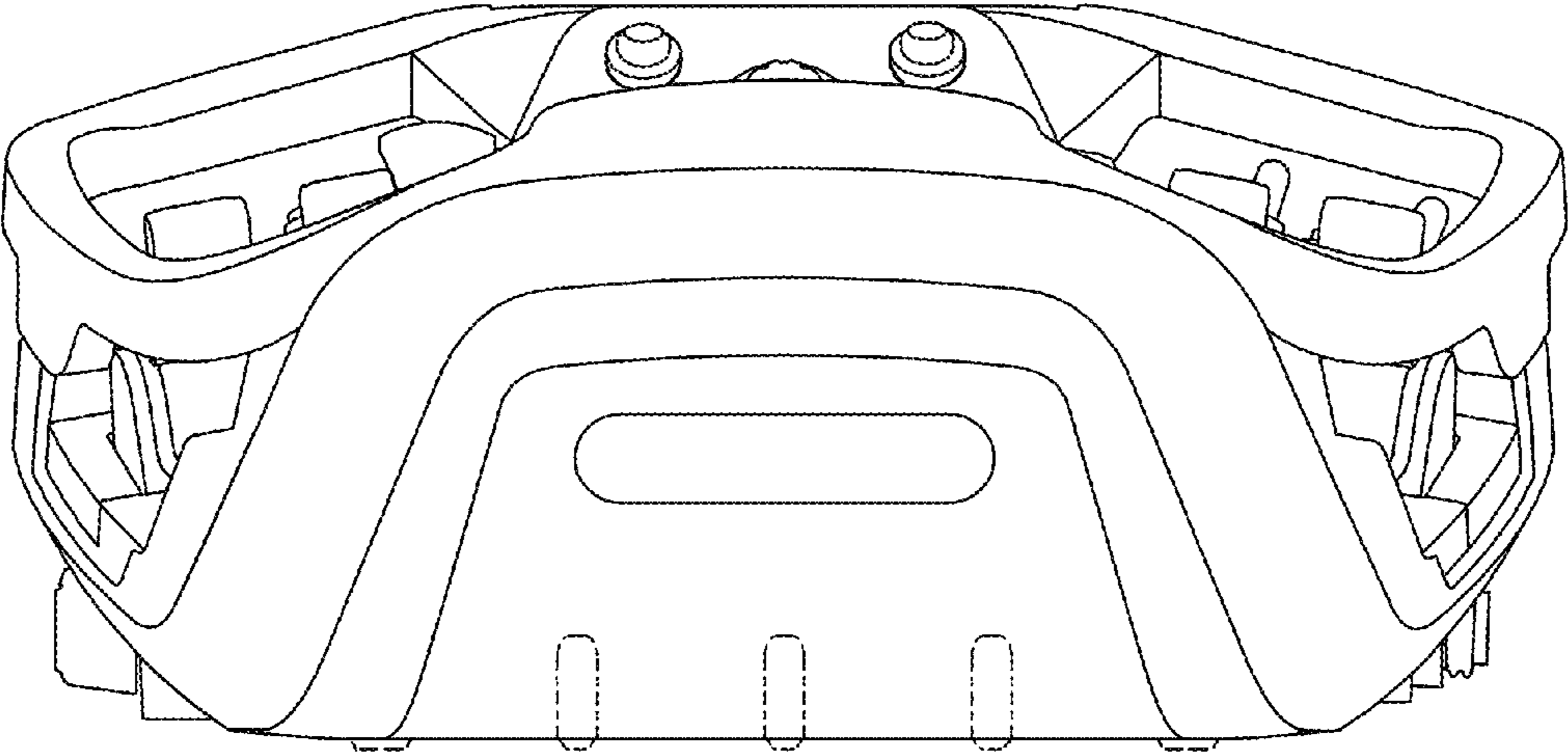


Fig. 7

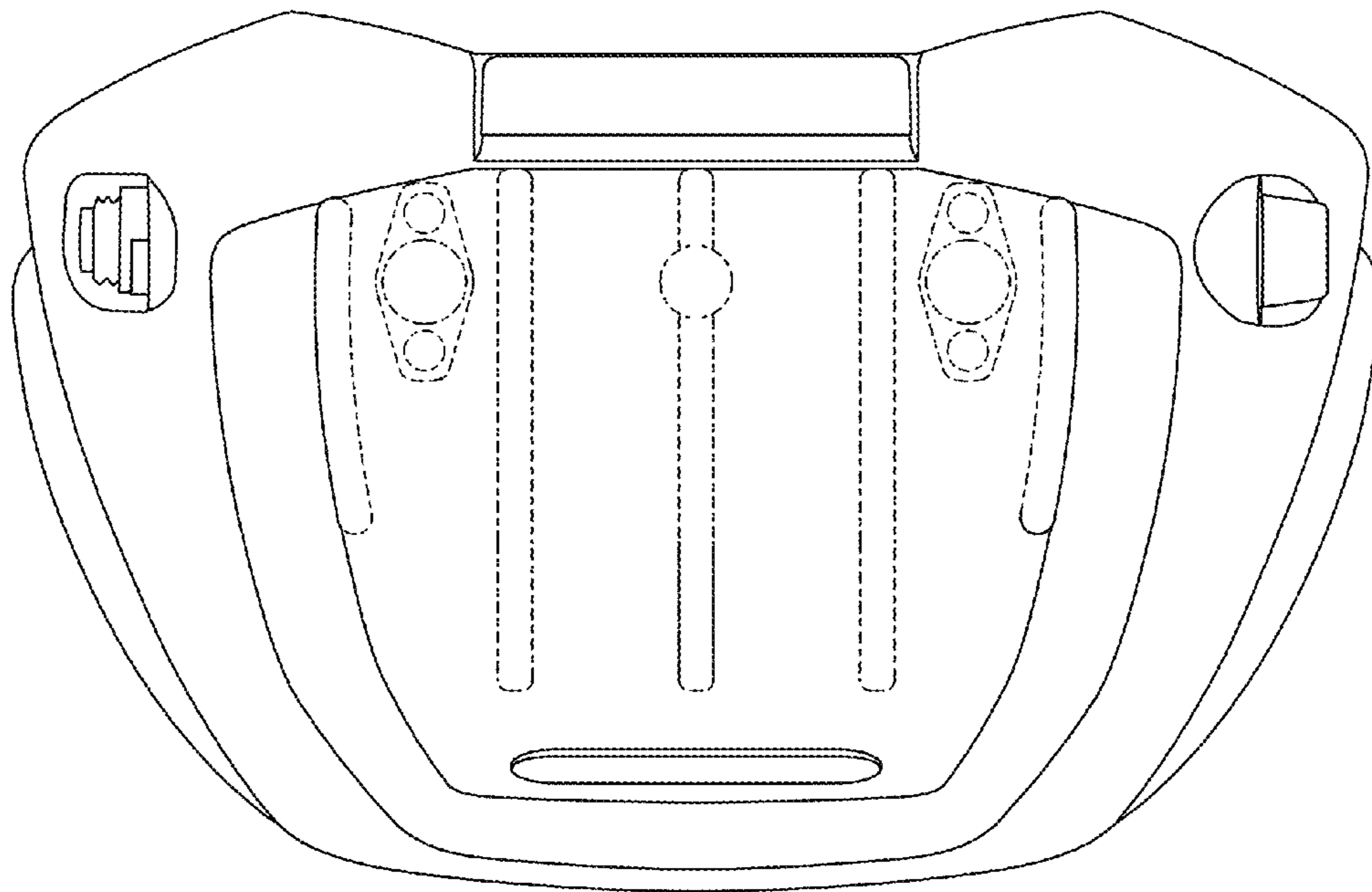


Fig. 8

