



US00D737538S

(12) **United States Design Patent**  
**Kameyama et al.**

(10) **Patent No.:** **US D737,538 S**

(45) **Date of Patent:** **\*\* Aug. 25, 2015**

(54) **CRANE TRUCK**

(71) Applicants: **Yasushi Kameyama**, Takamatsu (JP);  
**Kazuya Omori**, Takamatsu (JP);  
**Masanori Matsuda**, Takamatsu (JP);  
**Fumitsugu Kusaka**, Takamatsu (JP);  
**Homurako Ukezeki**, Takamatsu (JP);  
**Kenta Mitani**, Takamatsu (JP); **Tsubasa Nishimaru**, Takamatsu (JP); **Hidetoshi Fuke**, Takamatsu (JP); **Koki Wada**, Takamatsu (JP); **Keisuke Takahashi**, Takamatsu (JP)

(72) Inventors: **Yasushi Kameyama**, Takamatsu (JP);  
**Kazuya Omori**, Takamatsu (JP);  
**Masanori Matsuda**, Takamatsu (JP);  
**Fumitsugu Kusaka**, Takamatsu (JP);  
**Homurako Ukezeki**, Takamatsu (JP);  
**Kenta Mitani**, Takamatsu (JP); **Tsubasa Nishimaru**, Takamatsu (JP); **Hidetoshi Fuke**, Takamatsu (JP); **Koki Wada**, Takamatsu (JP); **Keisuke Takahashi**, Takamatsu (JP)

(73) Assignee: **TADANO LTD.**, Takamatsu-Shi, Kagawa (JP)

(\*\*) Term: **14 Years**

(21) Appl. No.: **29/463,033**

(22) Filed: **Jul. 11, 2013**

(30) **Foreign Application Priority Data**

Jan. 15, 2013 (JP) ..... 2013-000559

(51) **LOC (10) Cl.** ..... **12-05**

(52) **U.S. Cl.**  
USPC ..... **D34/33**

(58) **Field of Classification Search**

USPC ..... D15/21, 22-26; D34/33, 34; 212/180, 212/260, 261, 231, 253; 173/28, 38, 186; 414/563

CPC .. B66C 23/701; B66C 23/705; B66C 23/708; B66C 23/36; B66C 23/42; B66C 23/54; B66C 13/18; B66C 2700/065

See application file for complete search history.

(56) **References Cited**

U.S. PATENT DOCUMENTS

3,198,345	A *	8/1965	Brekelbaum et al. ....	212/295
D209,194	S *	11/1967	Sanders et al. ....	D15/22
3,845,333	A *	10/1974	Holloway .....	310/322
D244,190	S *	5/1977	Swartz et al. ....	D15/21
D253,535	S *	11/1979	Schmidt et al. ....	D15/21
4,241,837	A *	12/1980	Suverkrop .....	212/177
4,278,140	A *	7/1981	Oswald et al. ....	180/6.48
4,688,690	A *	8/1987	Gattu et al. ....	212/349
5,642,821	A *	7/1997	Hafliker .....	212/177
7,506,774	B2 *	3/2009	Willim .....	212/231
D656,291	S *	3/2012	Zhang et al. ....	D34/34
D683,514	S *	5/2013	Guo et al. ....	D34/33
2014/0158656	A1 *	6/2014	Pembleton .....	212/296

\* cited by examiner

*Primary Examiner* — Cynthia Ramirez

(74) *Attorney, Agent, or Firm* — Manabu Kanesaka

(57) **CLAIM**

The ornamental design for a crane truck, as shown and described.

**DESCRIPTION**

FIG. 1 is a perspective view of a crane truck showing our new design;

FIG. 2 is a front view thereof;

FIG. 3 is a rear view thereof;

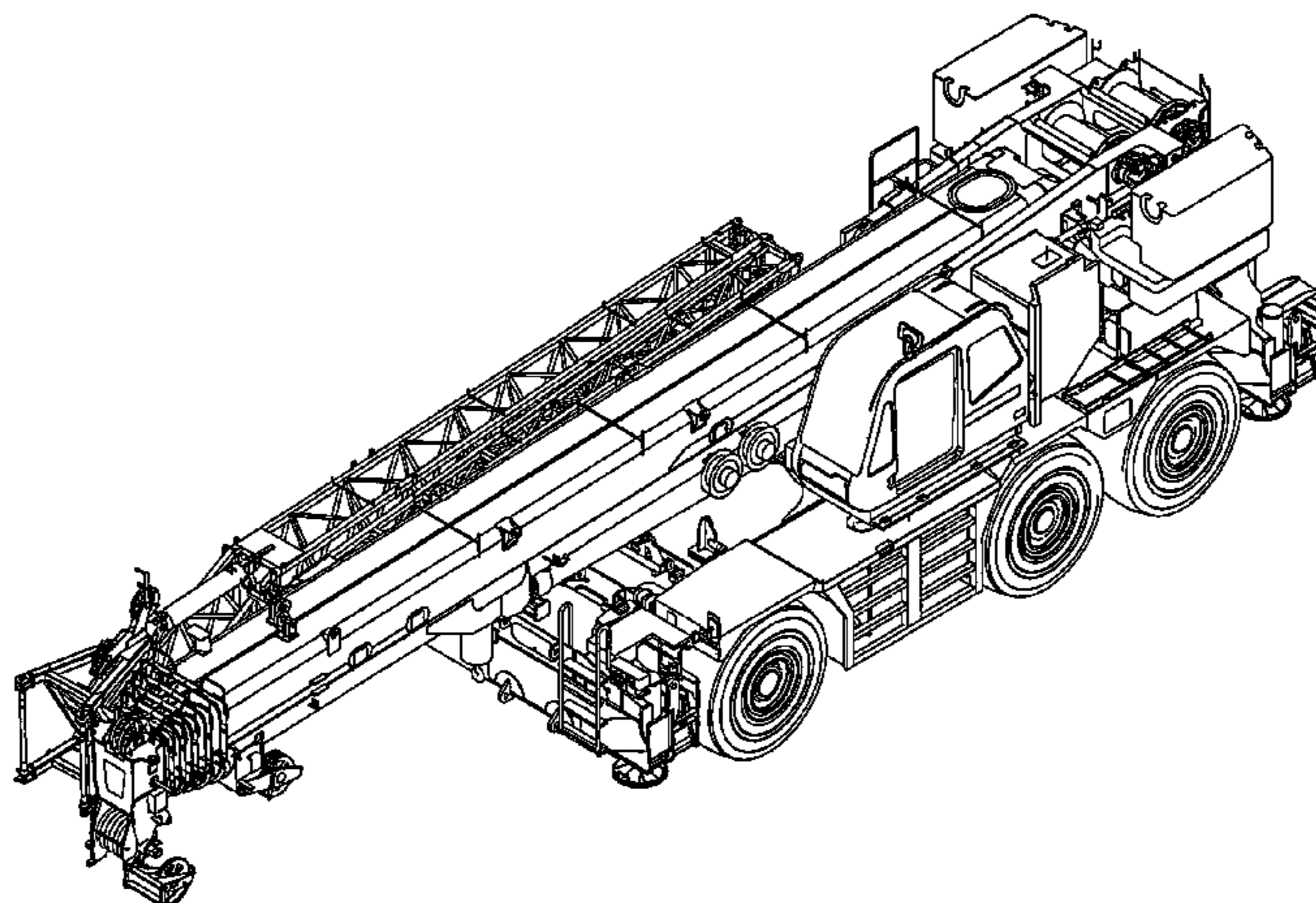
FIG. 4 is a top plan view thereof;

FIG. 5 is a bottom plan view thereof,

FIG. 6 is a right side view thereof; and,

FIG. 7 is a left side view thereof.

**1 Claim, 7 Drawing Sheets**



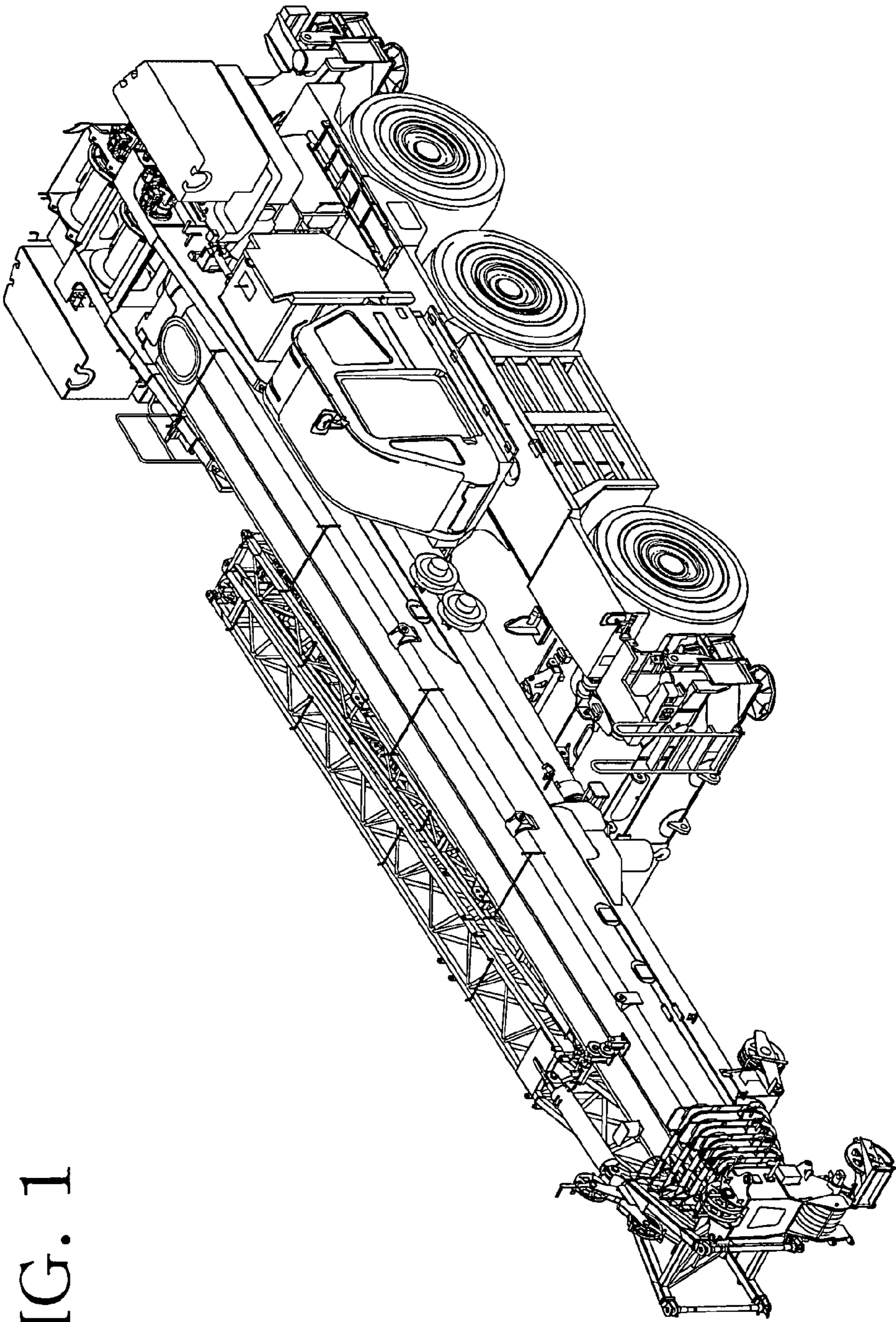


FIG. 1

FIG. 2

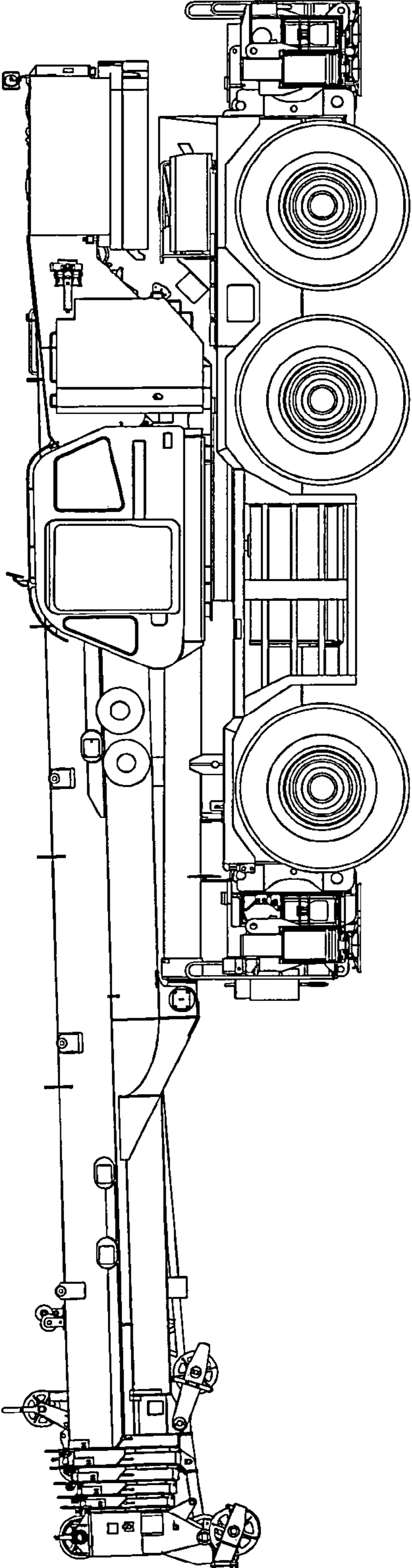


FIG. 3

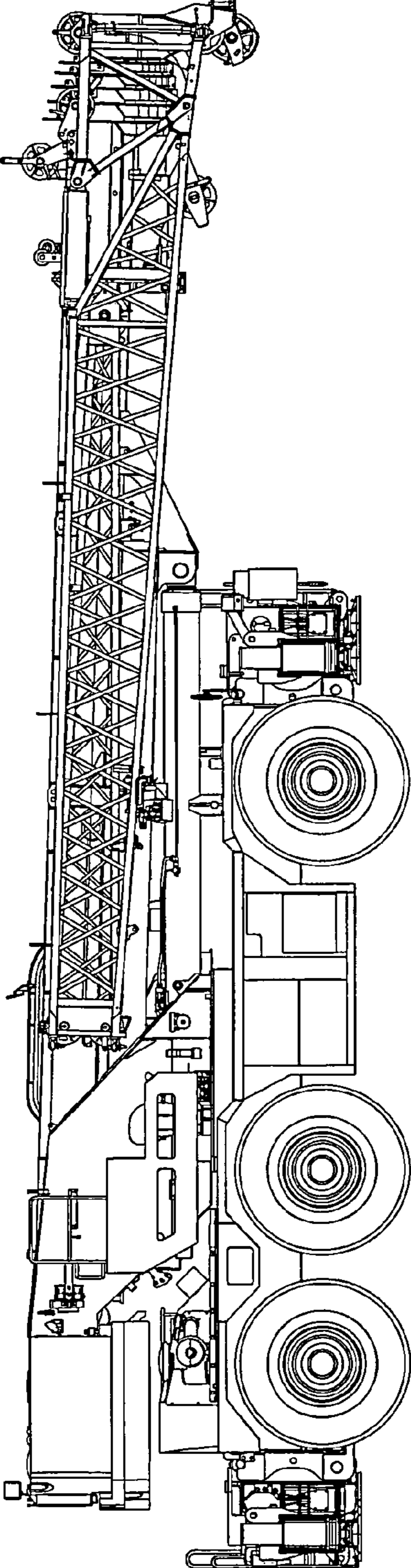
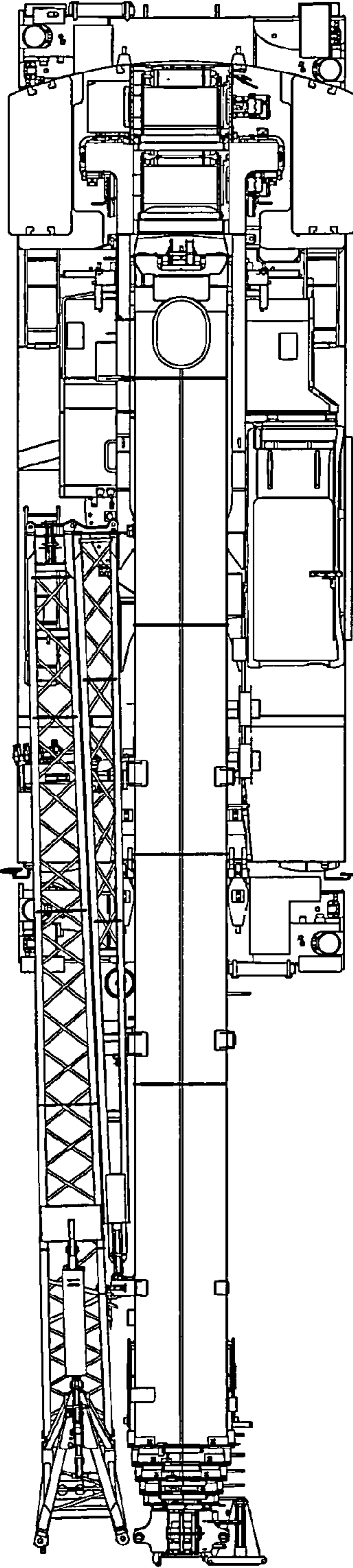


FIG. 4



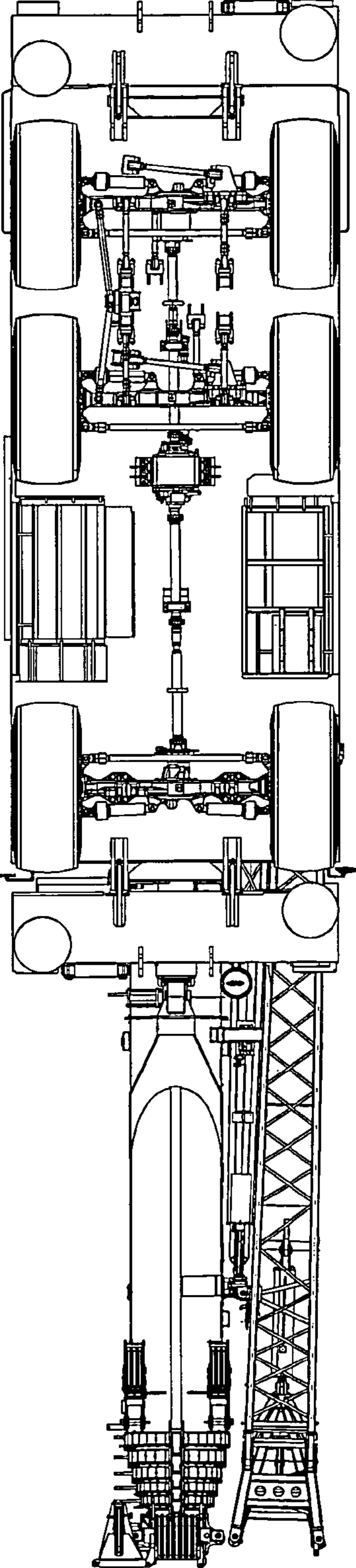


FIG. 5

FIG. 6

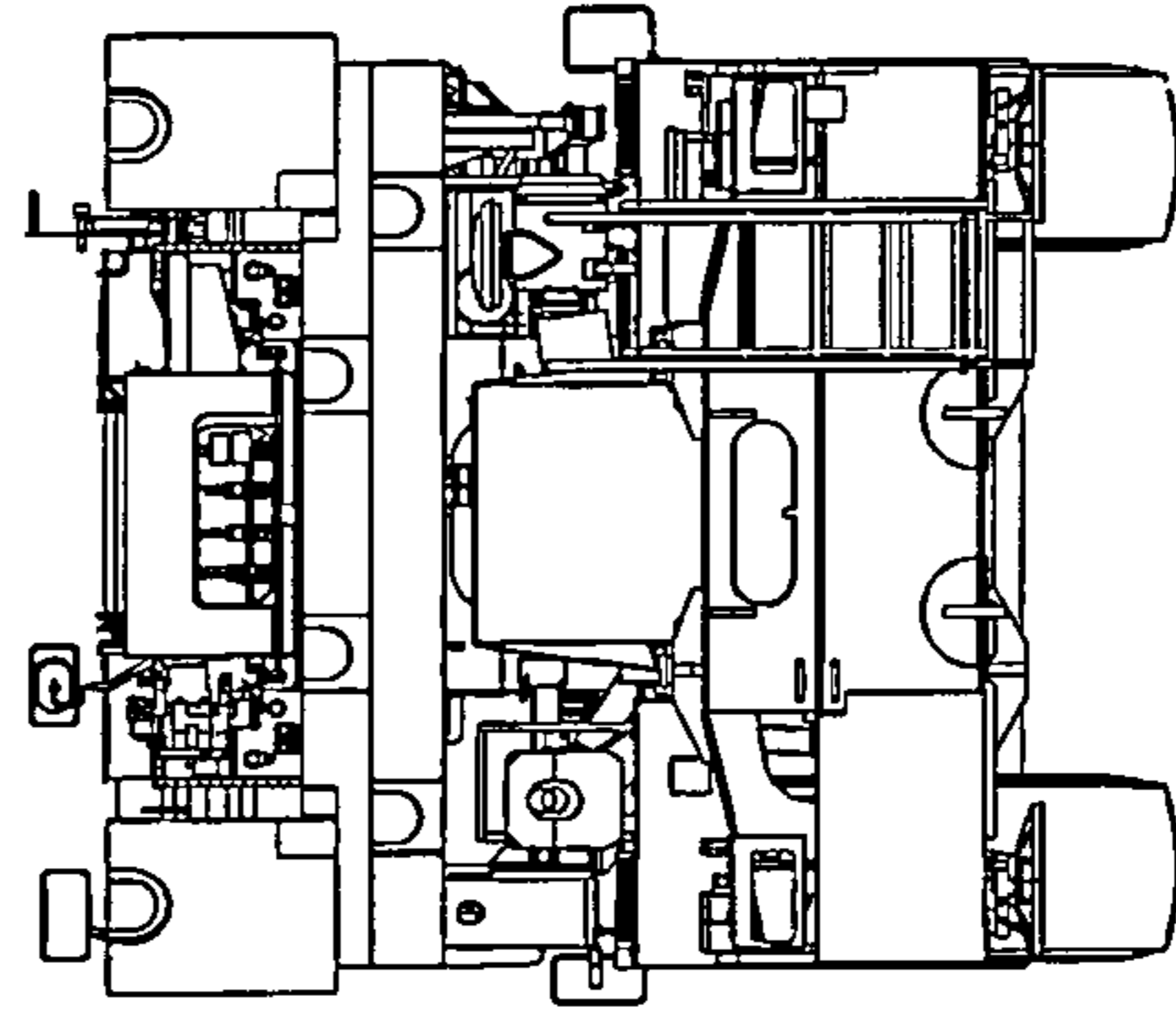


FIG. 7

