



US00D737534S

(12) **United States Design Patent**
Kinberger et al.

(10) **Patent No.:** **US D737,534 S**

(45) **Date of Patent:** **** Aug. 25, 2015**

- (54) **VEHICLE FOR CARRYING AN INSULATED CHEST**
- (71) Applicants: **James Kinberger**, New Orleans, LA (US); **Josh Goldberg**, Metairie, LA (US)
- (72) Inventors: **James Kinberger**, New Orleans, LA (US); **Josh Goldberg**, Metairie, LA (US)
- (**) Term: **14 Years**
- (21) Appl. No.: **29/483,720**
- (22) Filed: **Mar. 1, 2014**
- (51) **LOC (10) Cl.** **12-02**
- (52) **U.S. Cl.**
USPC **D34/12**
- (58) **Field of Classification Search**
USPC D12/112; 180/205.1, 19.3; 280/87.041, 280/87.05, 87.021, 432, 11.28, 87.042, 280/87.043, 30, 221; 224/404; 16/900; D21/423, 435; D34/12-27
CPC B62K 9/02; B62K 5/02; B62M 3/08; B60P 1/02; B60P 1/06; B66F 9/082; B66F 9/10
See application file for complete search history.

6,474,521	B1 *	11/2002	Young	224/404
6,485,039	B1 *	11/2002	Ming-Fu	280/87.041
D484,073	S *	12/2003	Heineman et al.	D12/112
D514,476	S *	2/2006	Glenn, II	D12/112
D518,417	S *	4/2006	Oosterveer	D12/112
D520,706	S *	5/2006	Brekke	D34/15
7,192,038	B2 *	3/2007	Tsai	280/87.041
D541,503	S *	4/2007	Lee	D34/15
D569,448	S *	5/2008	Sramek et al.	D21/423
D575,352	S *	8/2008	Sramek et al.	D21/423
7,407,032	B1	8/2008	Chambers et al.		
8,069,939	B1 *	12/2011	Metzler	180/19.3
D668,186	S *	10/2012	Tremblay	D12/112
8,534,405	B2 *	9/2013	Kim et al.	180/205.1
D693,415	S *	11/2013	Doherty et al.	D21/435
D714,693	S *	10/2014	Bartels	D12/112
2002/0070519	A1 *	6/2002	Rappaport	280/87.041
2012/0018969	A1 *	1/2012	Cho	280/87.041
2013/0020142	A1 *	1/2013	Kim et al.	180/205.1
2014/0070508	A1 *	3/2014	Yamabe	280/87.041

* cited by examiner

Primary Examiner — Cynthia Ramirez

Assistant Examiner — Gino Colan

(74) *Attorney, Agent, or Firm* — nolaIP, LLC; Neil Coig

(57) **CLAIM**

The ornamental design for a vehicle for carrying an insulated chest, as shown and described.

DESCRIPTION

FIG. 1 is a perspective view of the vehicle for carrying an insulated chest.

FIG. 2 is a left side view of the vehicle for carrying an insulated chest.

FIG. 3 is a top view of the vehicle for carrying an insulated chest.

FIG. 4 is a right side view of the vehicle for carrying an insulated chest.

FIG. 5 is a bottom view of the vehicle for carrying an insulated chest.

FIG. 6 is a front view of the vehicle for carrying an insulated chest; and,

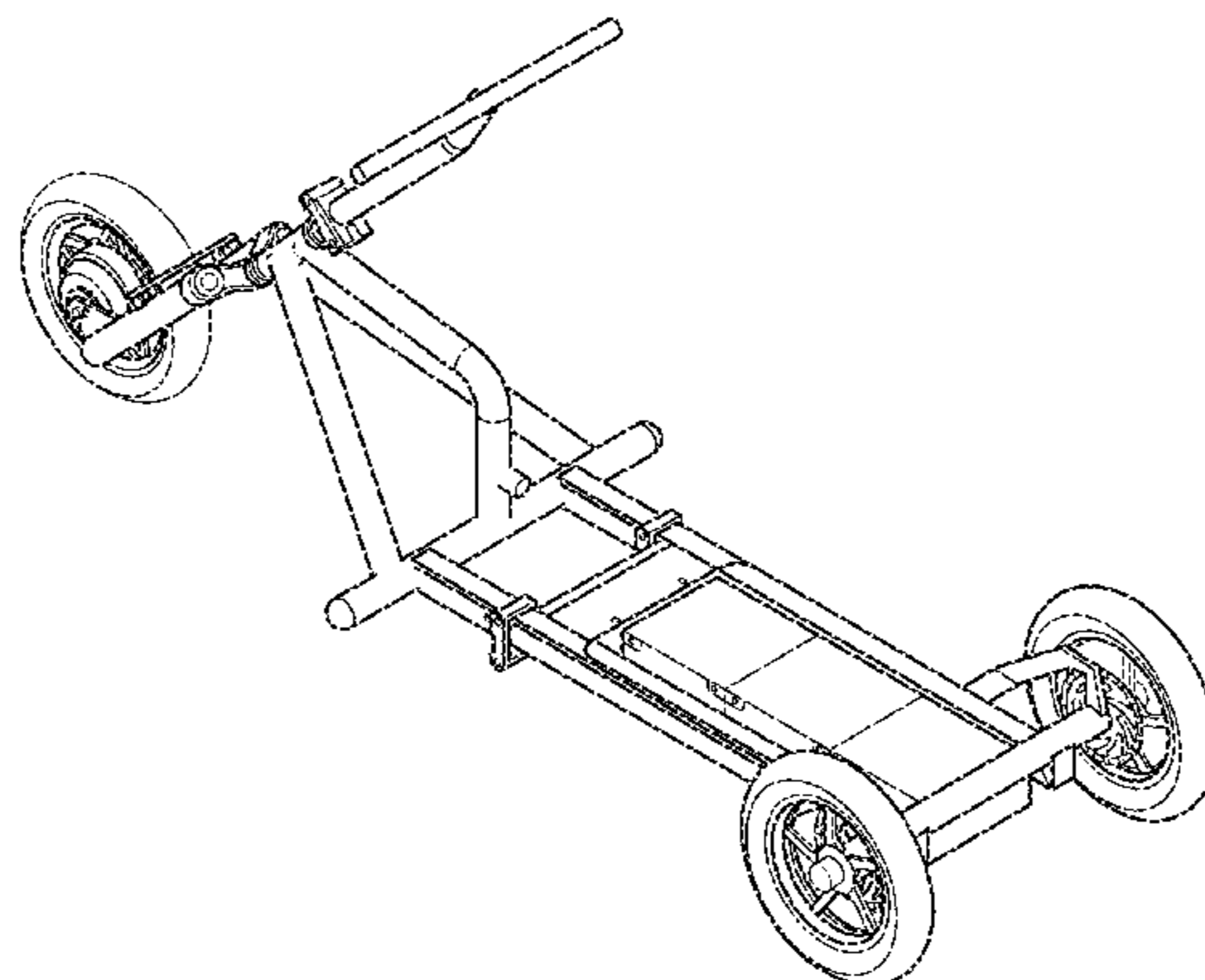
FIG. 7 is a rear view of the vehicle for carrying an insulated chest.

1 Claim, 6 Drawing Sheets

(56) **References Cited**

U.S. PATENT DOCUMENTS

D217,715	S *	6/1970	Vernon	D34/15
4,958,843	A *	9/1990	Cole	280/30
D321,964	S *	11/1991	Alterbaum	D34/15
5,092,616	A *	3/1992	McKinney	280/87.043
5,957,482	A *	9/1999	Shorter	280/639
D423,170	S *	4/2000	Chan	D34/15
6,173,976	B1 *	1/2001	Lee	280/87.05
6,179,307	B1 *	1/2001	Mao	280/87.041
6,186,524	B1 *	2/2001	McQueeney et al.	280/87.021
6,244,605	B1 *	6/2001	Liu	280/87.041
6,270,095	B1 *	8/2001	Chang	280/87.041
6,286,843	B1 *	9/2001	Lin	280/11.28
D452,054	S *	12/2001	Chan	D34/15
6,332,621	B1 *	12/2001	Wu	280/87.041
6,343,802	B1 *	2/2002	Workman et al.	280/87.041
D460,723	S *	7/2002	Smit	D12/112
6,428,021	B1 *	8/2002	Tung	280/87.041



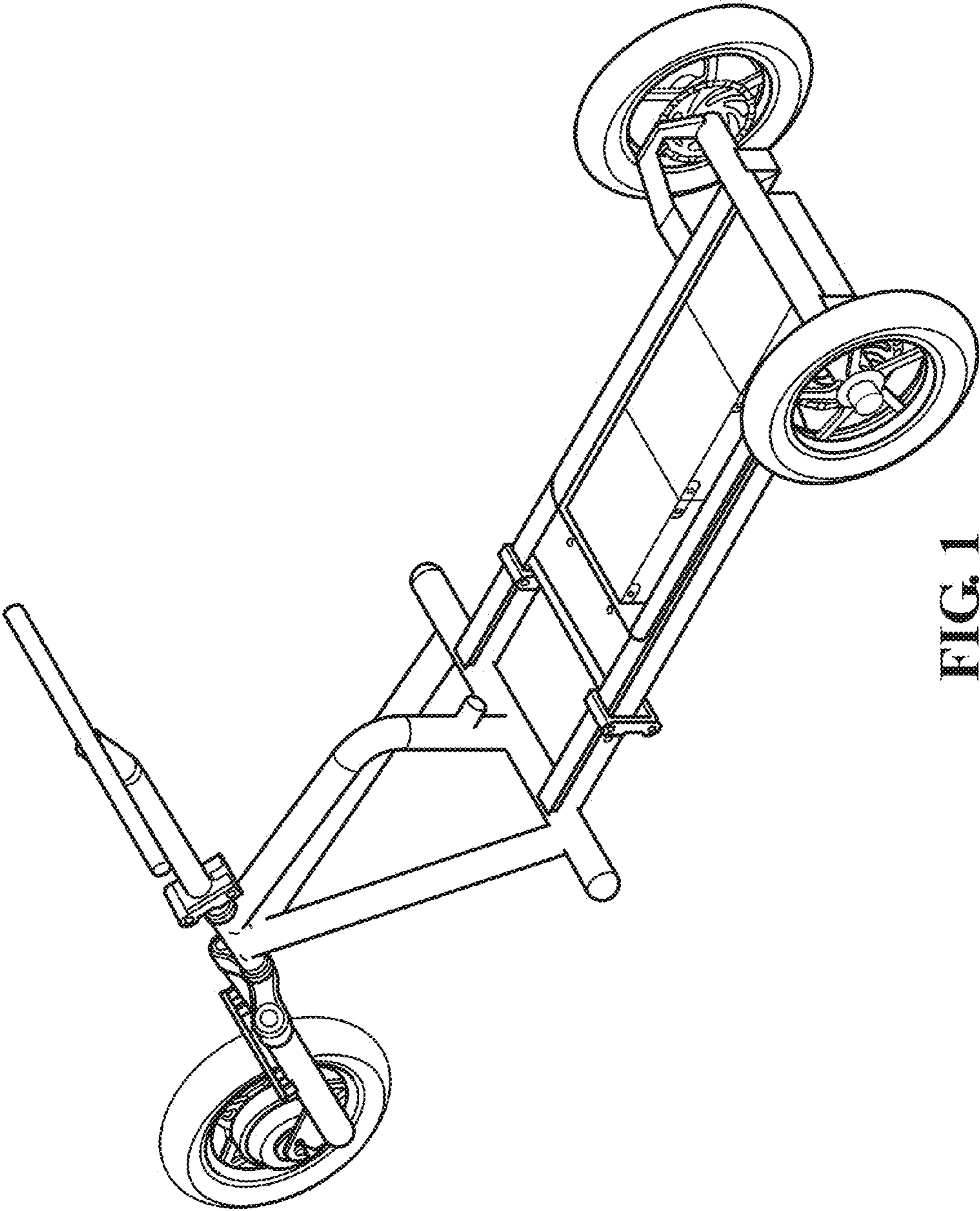


FIG. 1

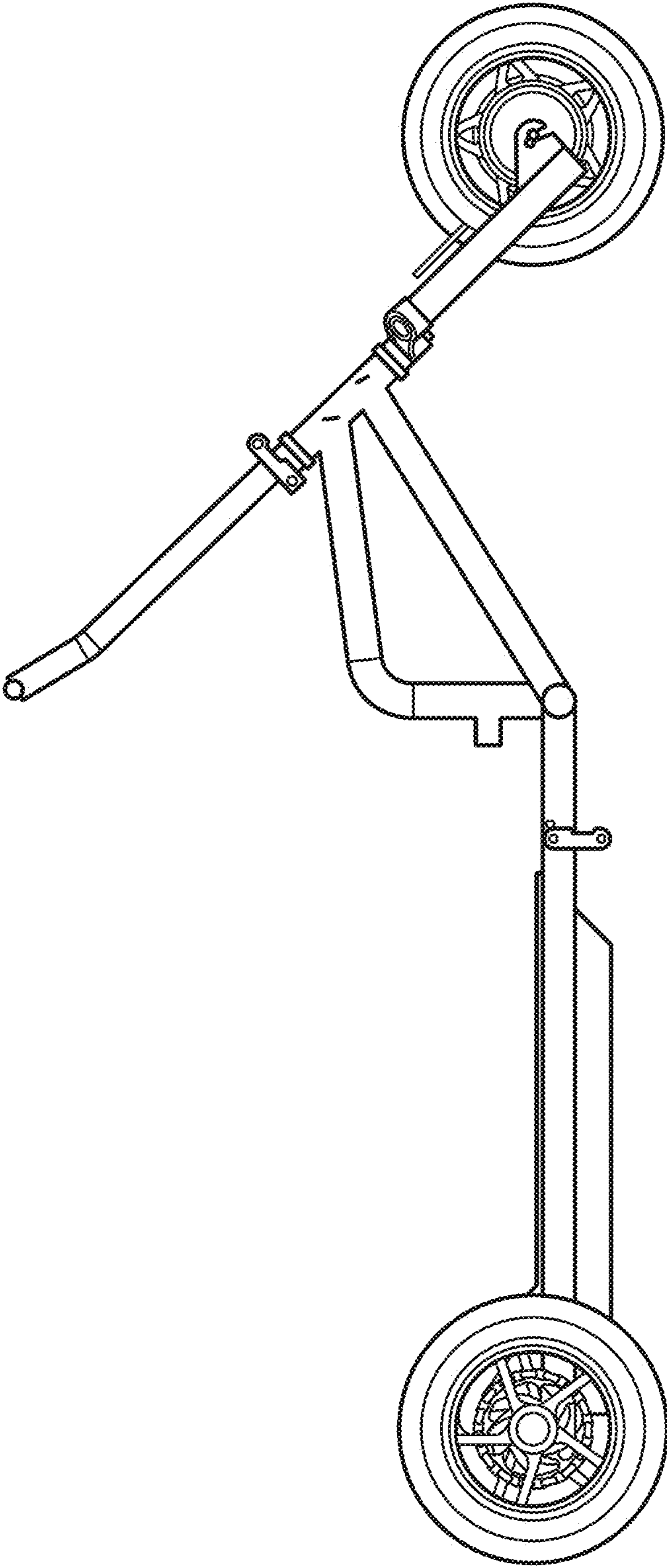


FIG. 2

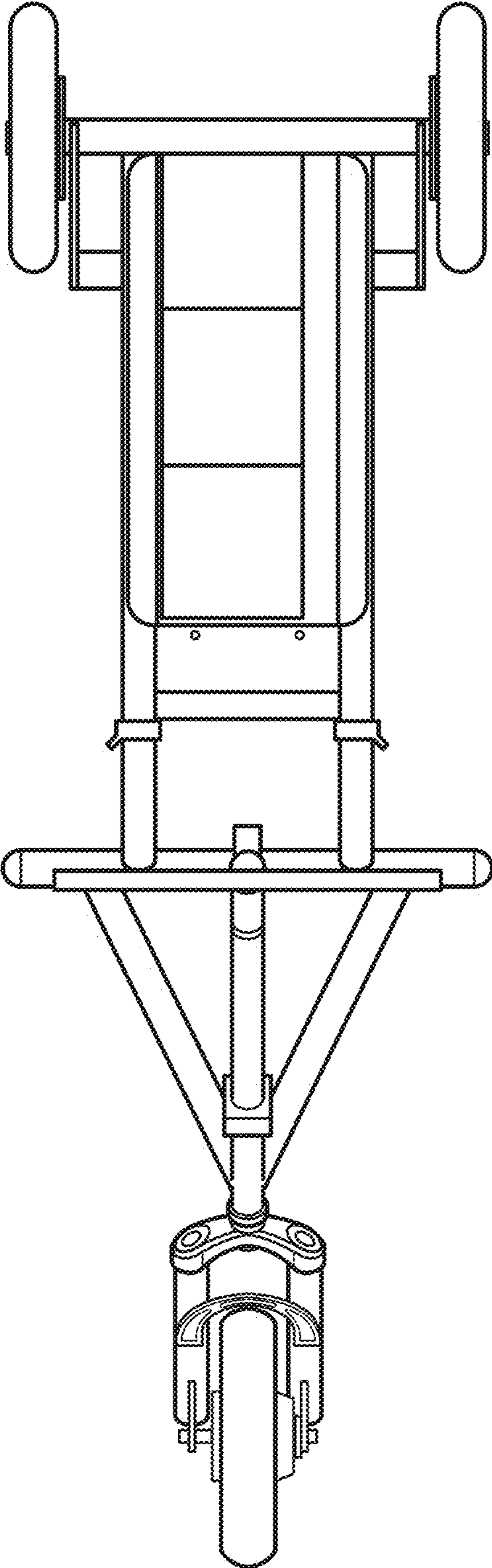


FIG. 3

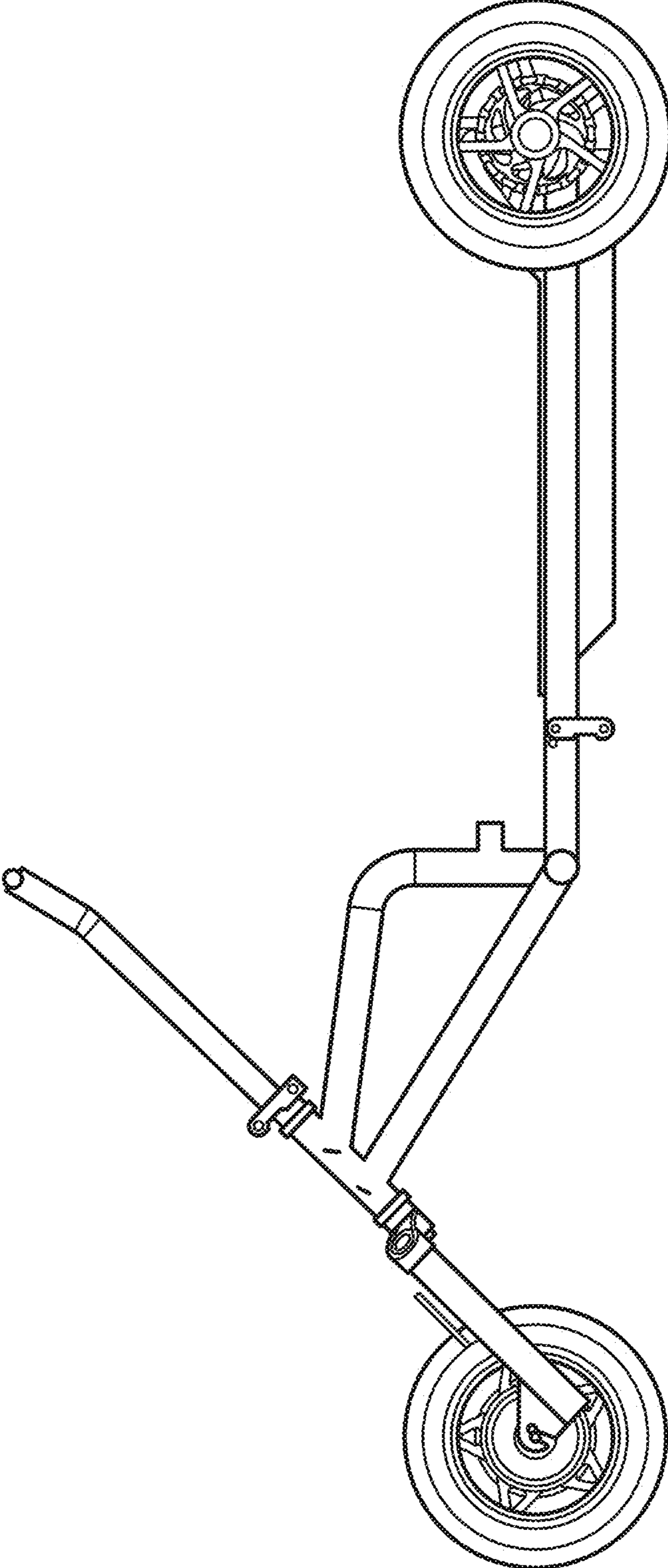


FIG. 4

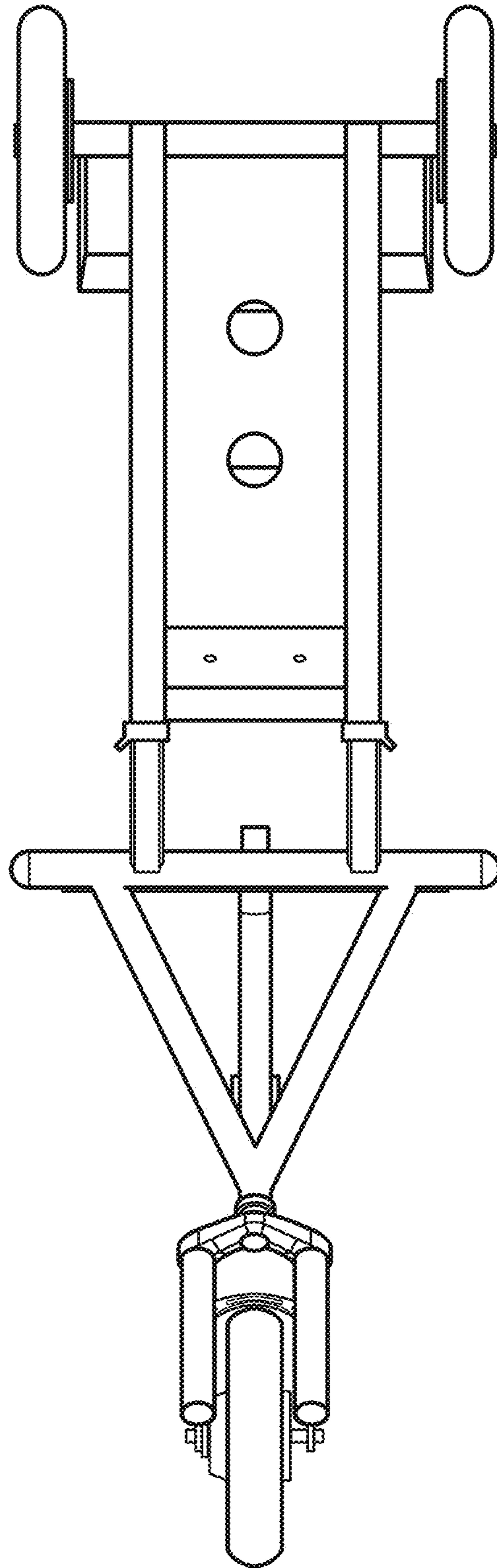


FIG. 5

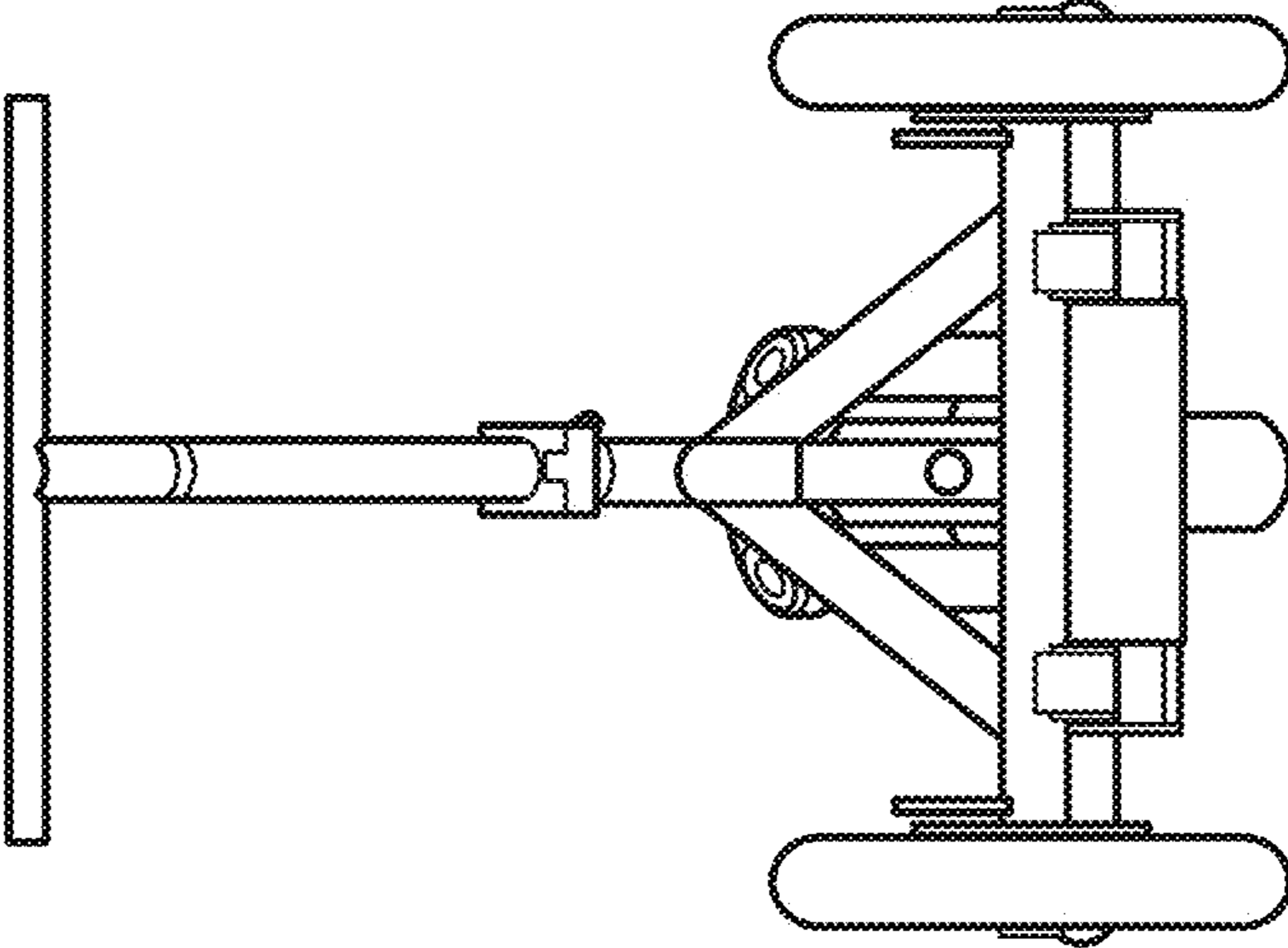


FIG. 6

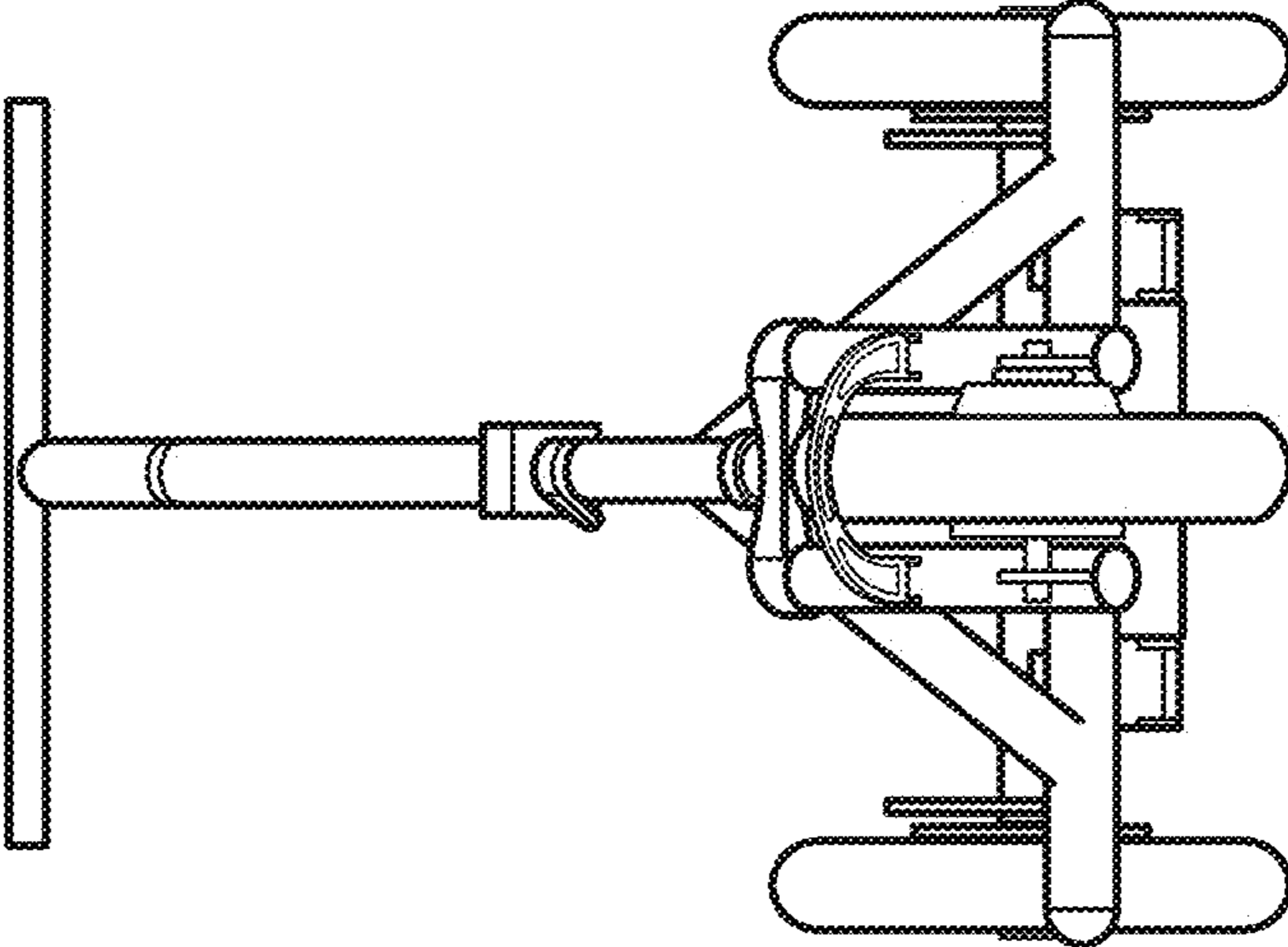


FIG. 7