



US00D737533S

(12) **United States Design Patent**  
**Esteve**

(10) **Patent No.:** **US D737,533 S**

(45) **Date of Patent:** **\*\* Aug. 25, 2015**

(54) **STEAM IRON**

(56) **References Cited**

(71) Applicant: **Aktiebolaget Electrolux**, Stockholm  
(SE)

U.S. PATENT DOCUMENTS

(72) Inventor: **Jérôme Esteve**, Stockholm (SE)

D316,768 S *	5/1991	Komar	.....	D32/73
D439,023 S *	3/2001	Powell	.....	D32/73
D452,354 S *	12/2001	Hsu	.....	D32/70
D463,641 S *	9/2002	Powell	.....	D32/71
D470,637 S *	2/2003	Berthier	.....	D32/73
D548,418 S *	8/2007	Cahen	.....	D32/70
D564,166 S *	3/2008	Yang	.....	D32/73
D575,019 S *	8/2008	Choi	.....	D32/68
D576,369 S *	9/2008	Choi	.....	D32/68
D581,620 S *	11/2008	Chu	.....	D32/68
D660,538 S *	5/2012	Smith	.....	D32/71
D667,600 S *	9/2012	Smith	.....	D32/70
D701,362 S *	3/2014	Smith	.....	D32/70

(73) Assignee: **Aktiebolaget Electrolux**, Stockholm  
(SE)

(\*\*) Term: **14 Years**

(21) Appl. No.: **29/493,198**

\* cited by examiner

(22) Filed: **Jun. 6, 2014**

(30) **Foreign Application Priority Data**

*Primary Examiner* — Austin Murphy

Dec. 6, 2013 (SE) ..... 2013/0479

(74) *Attorney, Agent, or Firm* — Banner & Witcoff, Ltd.

(51) **LOC (10) Cl.** ..... **07-05**

(57) **CLAIM**

The ornamental design for a steam iron, as shown and described.

(52) **U.S. Cl.**

**DESCRIPTION**

USPC ..... **D32/73**

(58) **Field of Classification Search**

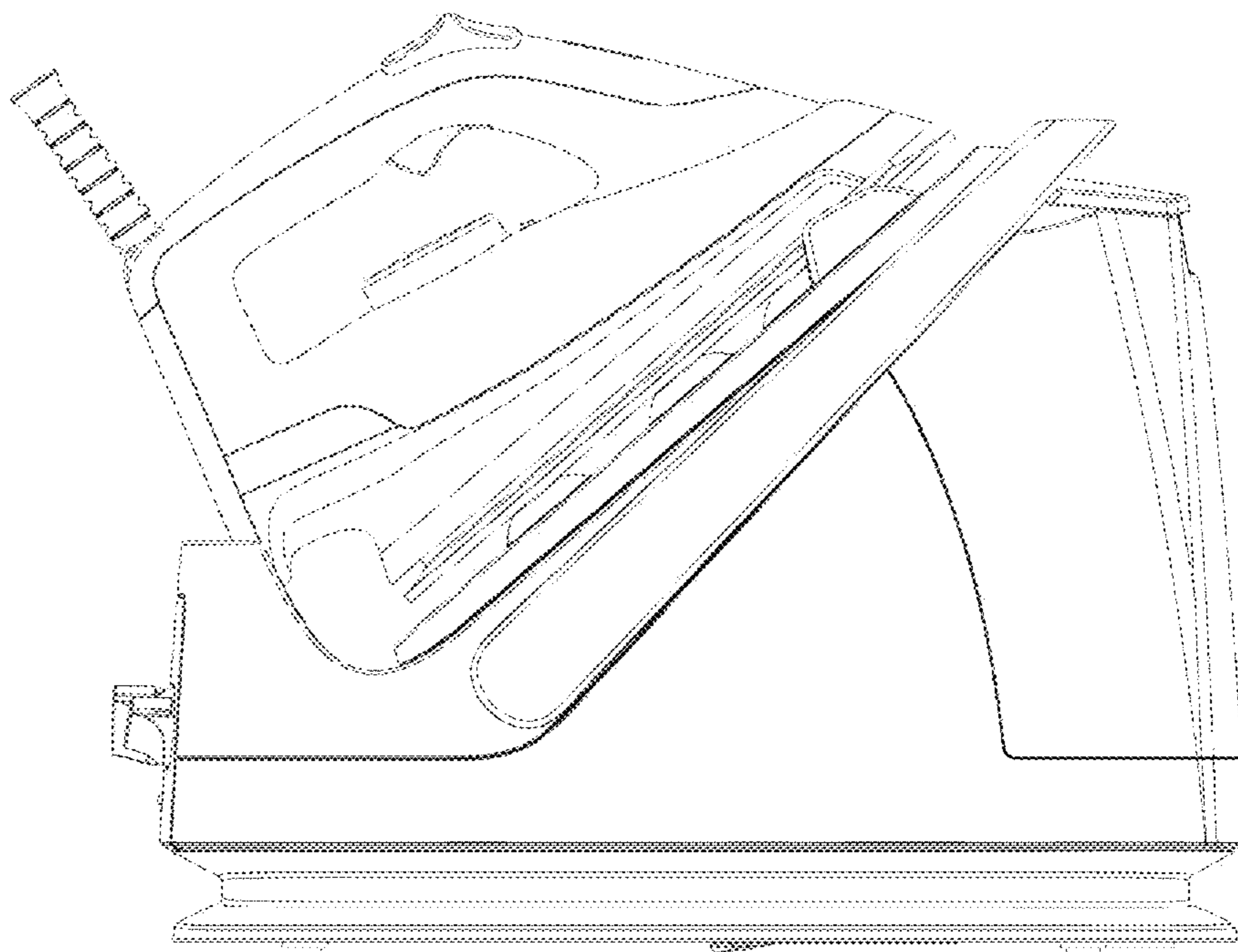
USPC ..... D32/73, 72, 71, 70, 69, 68, 35;  
392/404; 38/97, 96, 93, 88, 77.9,  
38/77.83, 77.82, 77.81, 77.8, 77.7, 77.6,  
38/77.5, 77.3, 77.1; 219/251, 245

FIG. 1 is a perspective view of a steam iron showing my new design;  
FIG. 2 is a right side view thereof;  
FIG. 3 is a left side view thereof;  
FIG. 4 is a top view thereof;  
FIG. 5 is a bottom view thereof;  
FIG. 6 is a front view thereof; and,  
FIG. 7 is a rear view thereof.

CPC ..... D06F 75/34; D06F 75/08; D06F 75/38;  
D06F 75/00; F22B 27/14; B08B 3/006

See application file for complete search history.

**1 Claim, 7 Drawing Sheets**



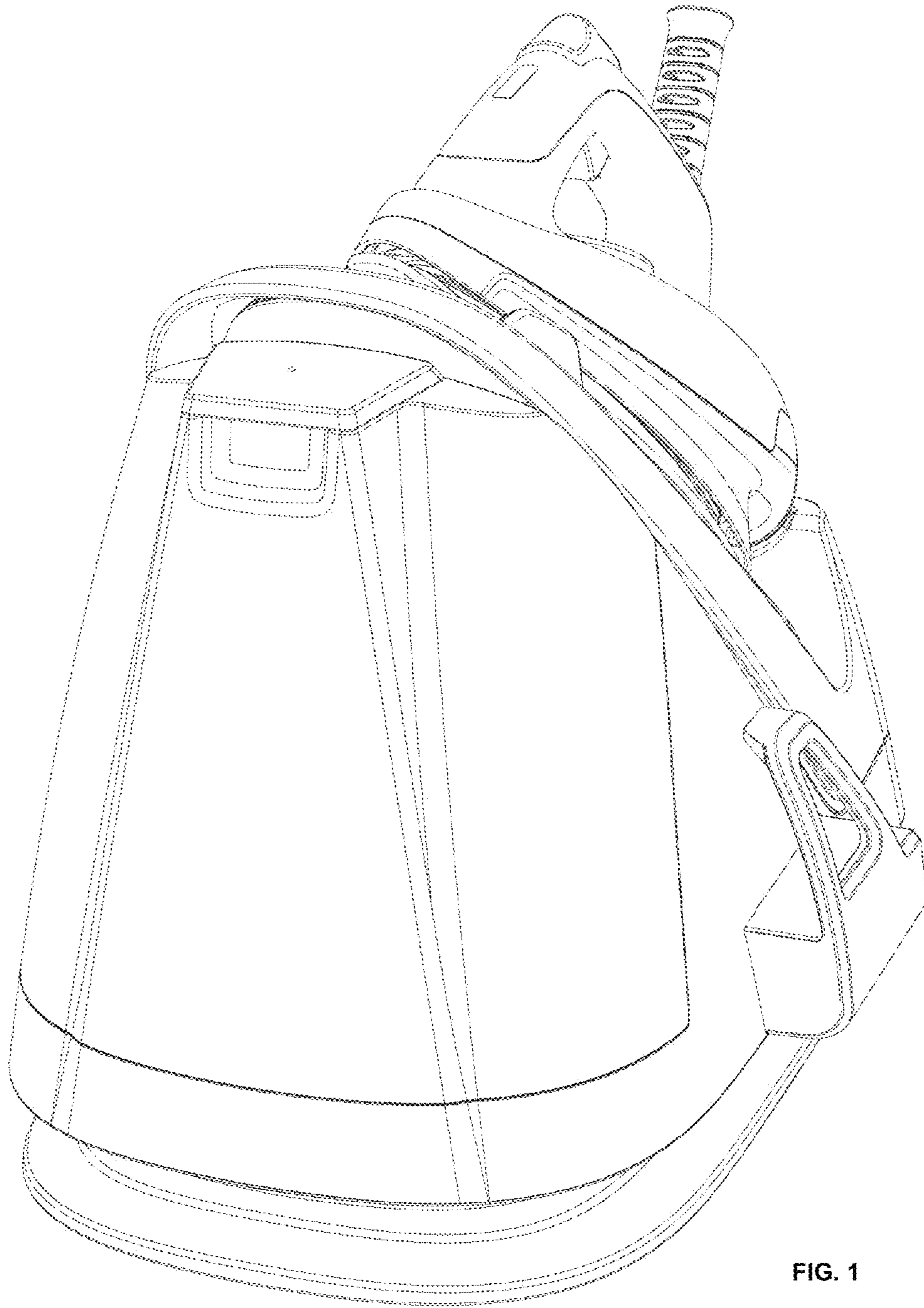


FIG. 1

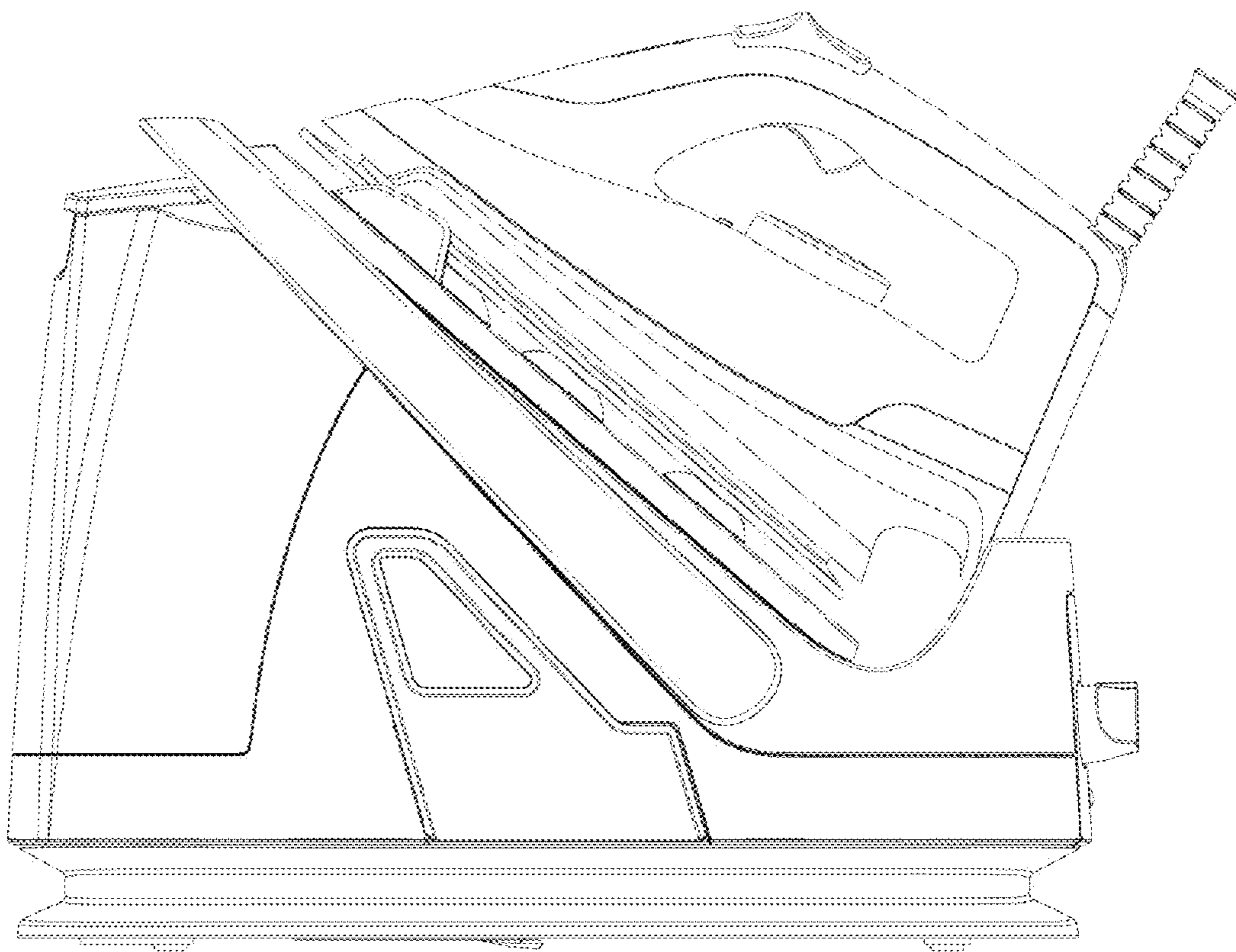


FIG. 2

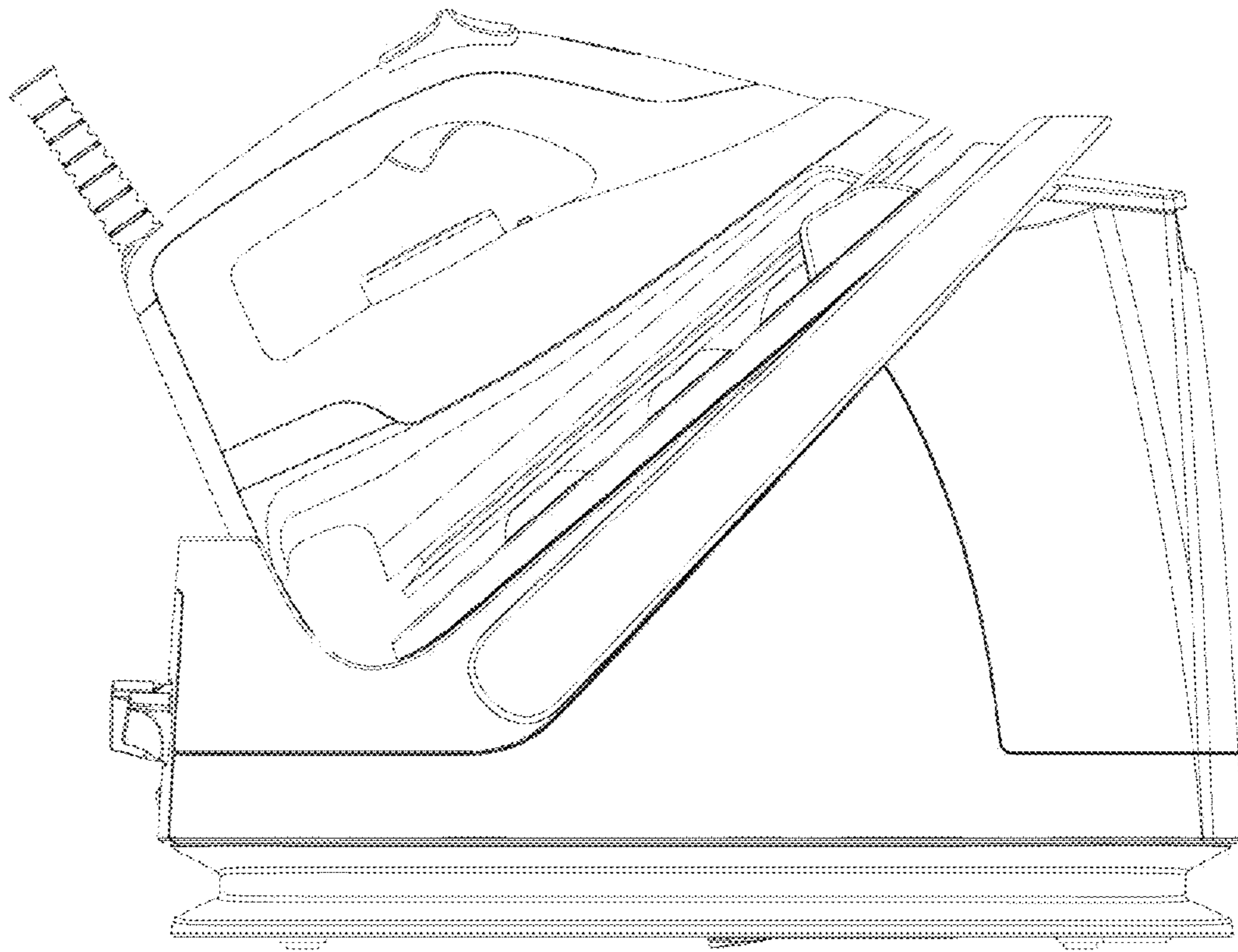


FIG. 3

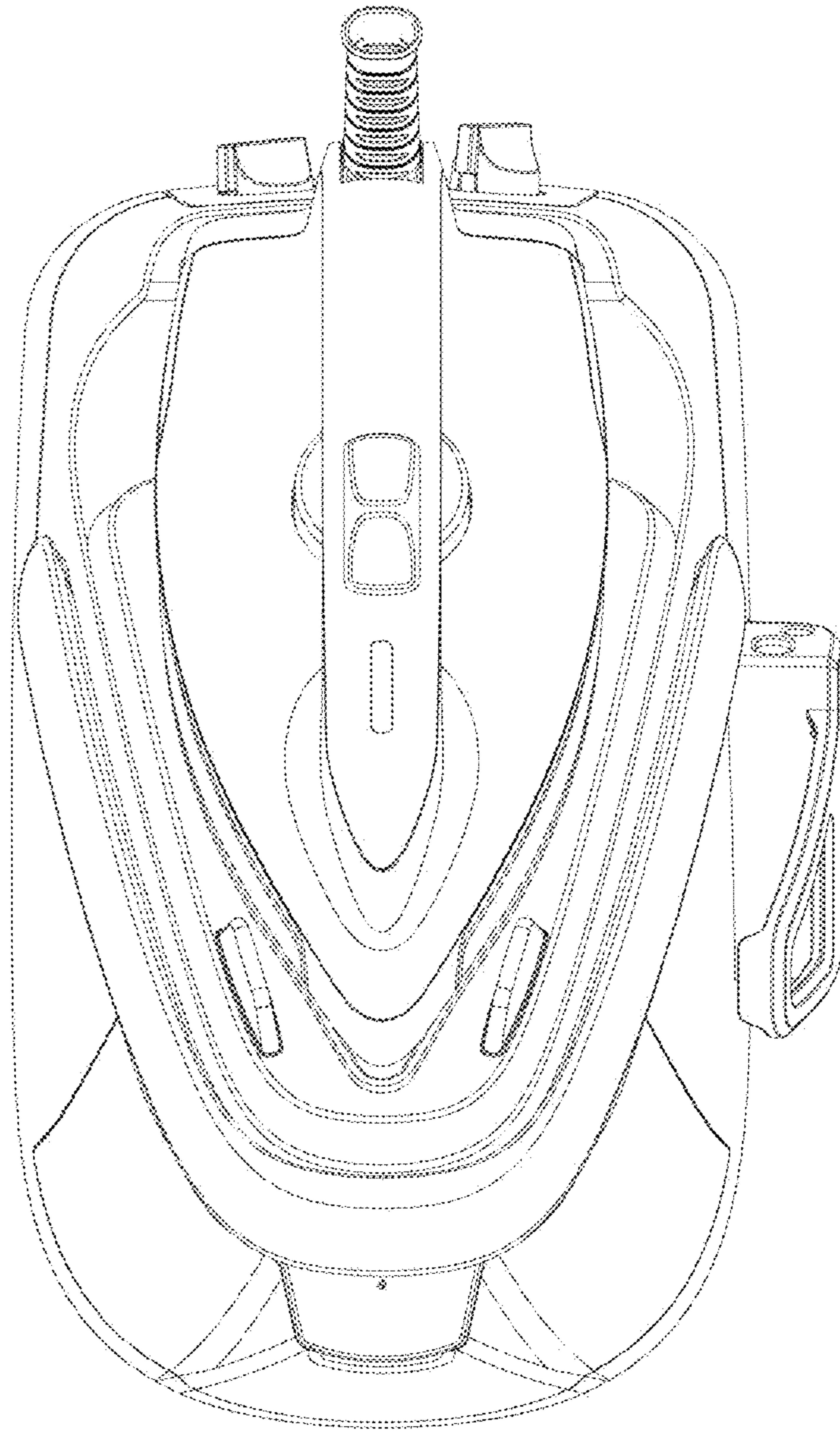


FIG. 4

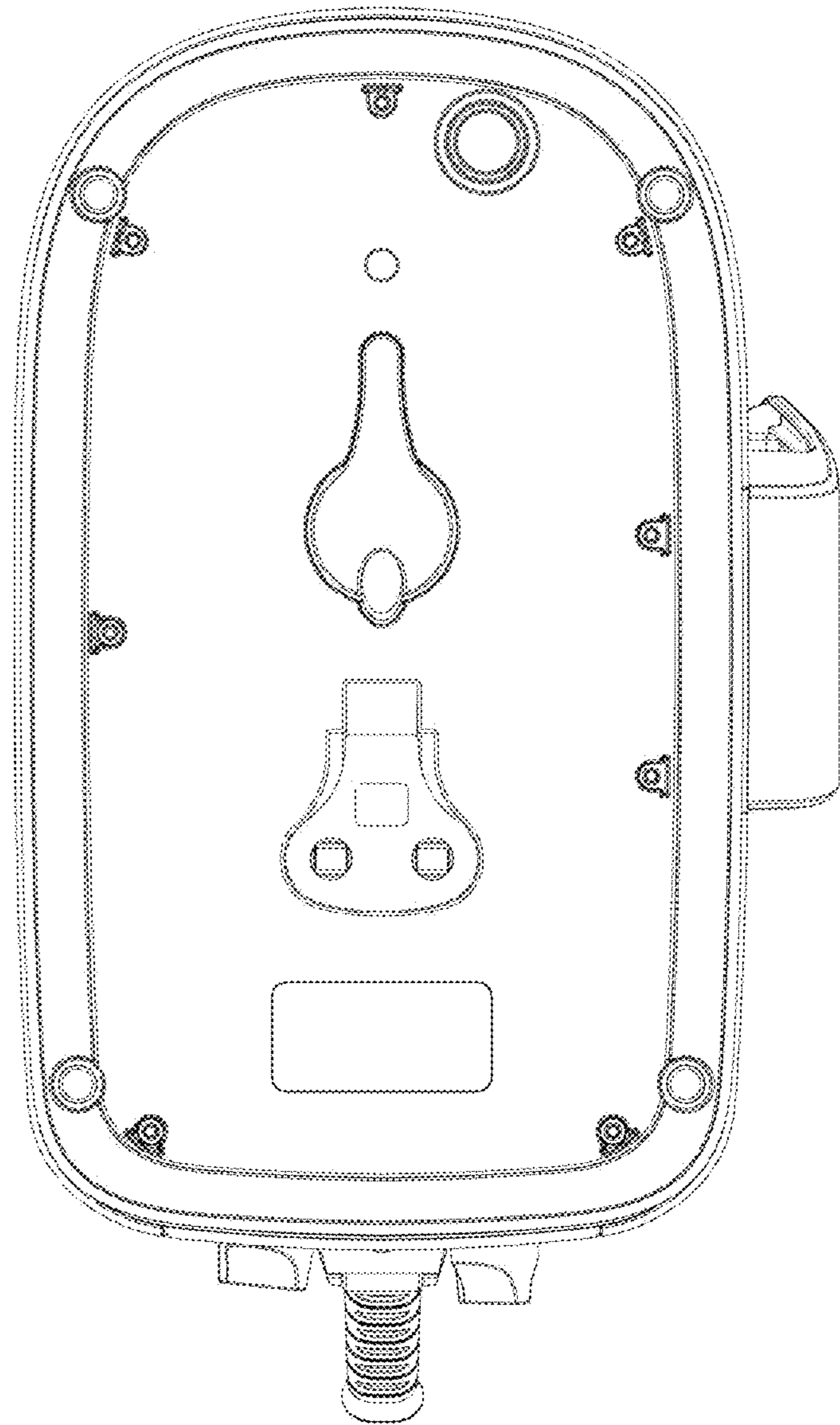


FIG. 5

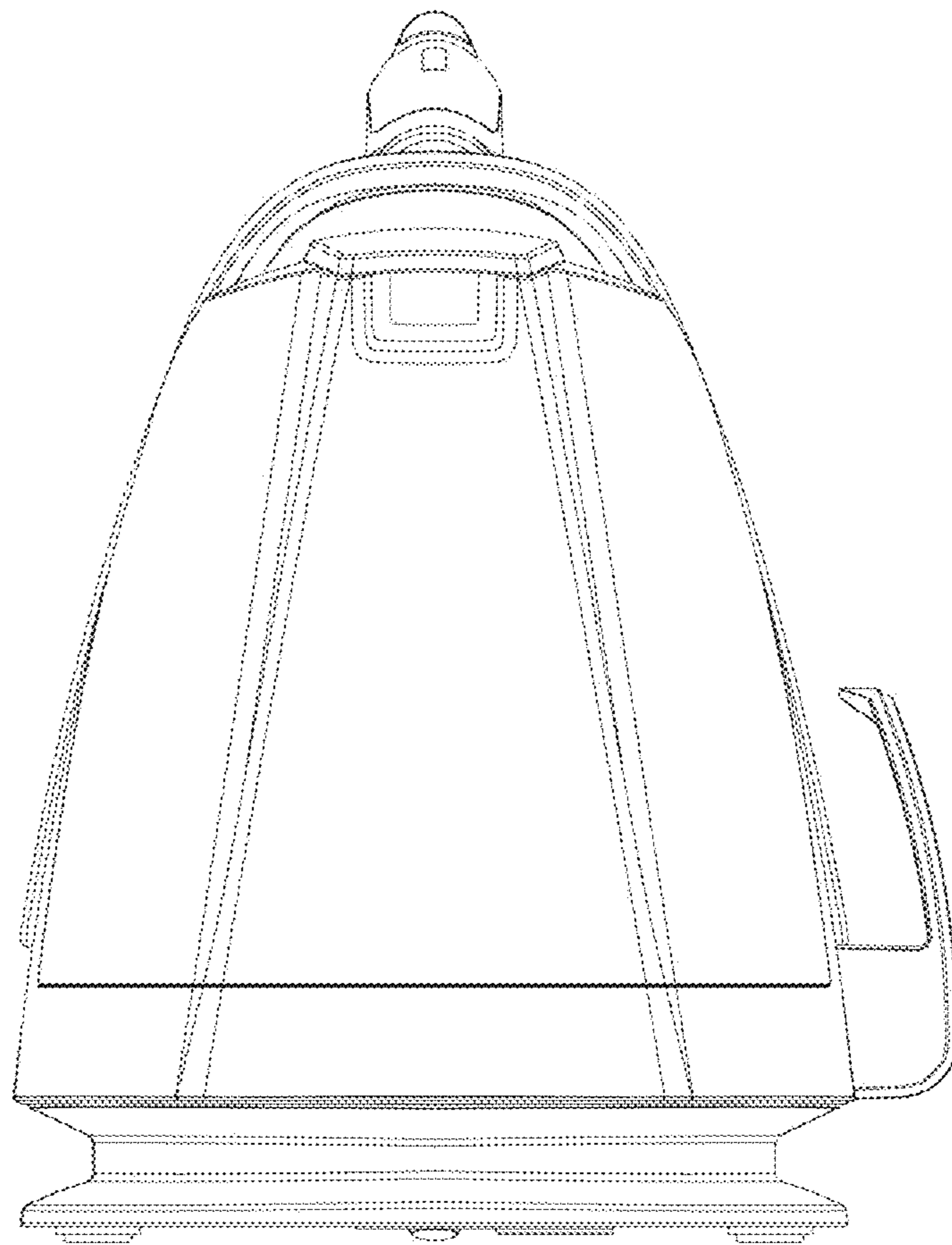


FIG. 6

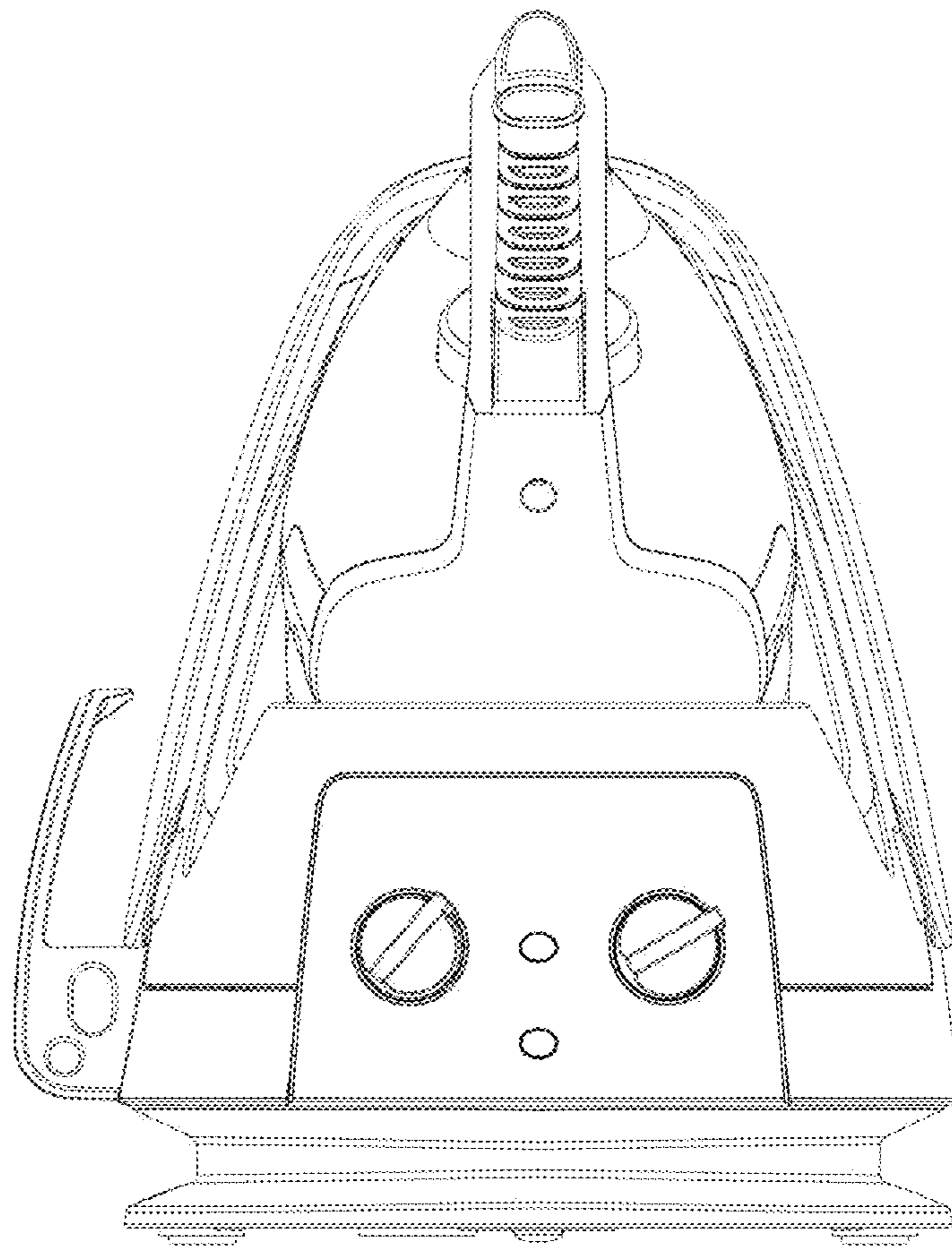


FIG. 7