



US00D737532S

(12) **United States Design Patent**  
**Oh**

(10) **Patent No.:** **US D737,532 S**

(45) **Date of Patent:** **\*\* Aug. 25, 2015**

(54) **LAUNDRY DRY STAND**

(56) **References Cited**

(71) Applicant: **SUBIN HOME ART CO., LTD.**,  
Jinju-si, Gyeongsangnam-do (KR)

U.S. PATENT DOCUMENTS

(72) Inventor: **Su Bin Oh**, Sacheon-si (KR)

2,406,638	A	*	8/1946	Schissel	.....	211/200
D322,698	S	*	12/1991	Cassel	.....	D32/58
5,725,111	A	*	3/1998	Choi	.....	211/119.1
D417,536	S	*	12/1999	Sum	.....	D32/58
D546,013	S	*	7/2007	Pong	.....	D32/58
D564,165	S	*	3/2008	King et al.	.....	D32/58
D595,914	S	*	7/2009	Housley	.....	D32/55
D650,542	S	*	12/2011	Kontorovich et al.	.....	D32/58
D655,877	S	*	3/2012	Greenway et al.	.....	D32/58
D670,058	S	*	10/2012	Cooper	.....	D32/58
D695,982	S	*	12/2013	Jonsson	.....	D32/55

(73) Assignee: **SUBIN HOME ART CO., LTD.**,  
Jinju-Si, Gyeongsangnam-Do (KR)

(\*\*) Term: **14 Years**

\* cited by examiner

(21) Appl. No.: **29/503,059**

*Primary Examiner* — Austin Murphy  
(74) *Attorney, Agent, or Firm* — Lowe Hauptman & Ham, LLP

(22) Filed: **Sep. 23, 2014**

(30) **Foreign Application Priority Data**

(57) **CLAIM**

May 23, 2014 (KR) ..... 30-2014-0025485

The ornamental design for a laundry dry stand, as shown and described.

(51) **LOC (10) Cl.** ..... **07-05**

**DESCRIPTION**

(52) **U.S. Cl.**  
USPC ..... **D32/58**

(58) **Field of Classification Search**  
USPC ..... D32/55, 276, 3, 58; D6/510, 525;  
211/41.5, 41.4, 41.3, 41.8, 195, 200;  
361/679.4; 312/311, 333, 334.4;  
D7/354, 629, 368

FIG. 1 is a perspective view of a laundry dry stand showing my new design;  
FIG. 2 is a front elevational view thereof;  
FIG. 3 is a rear elevational view thereof;  
FIG. 4 is a left side elevational view thereof;  
FIG. 5 is a right side elevational view thereof;  
FIG. 6 is a top plane view thereof; and,  
FIG. 7 is a bottom plane view thereof.

See application file for complete search history.

**1 Claim, 7 Drawing Sheets**

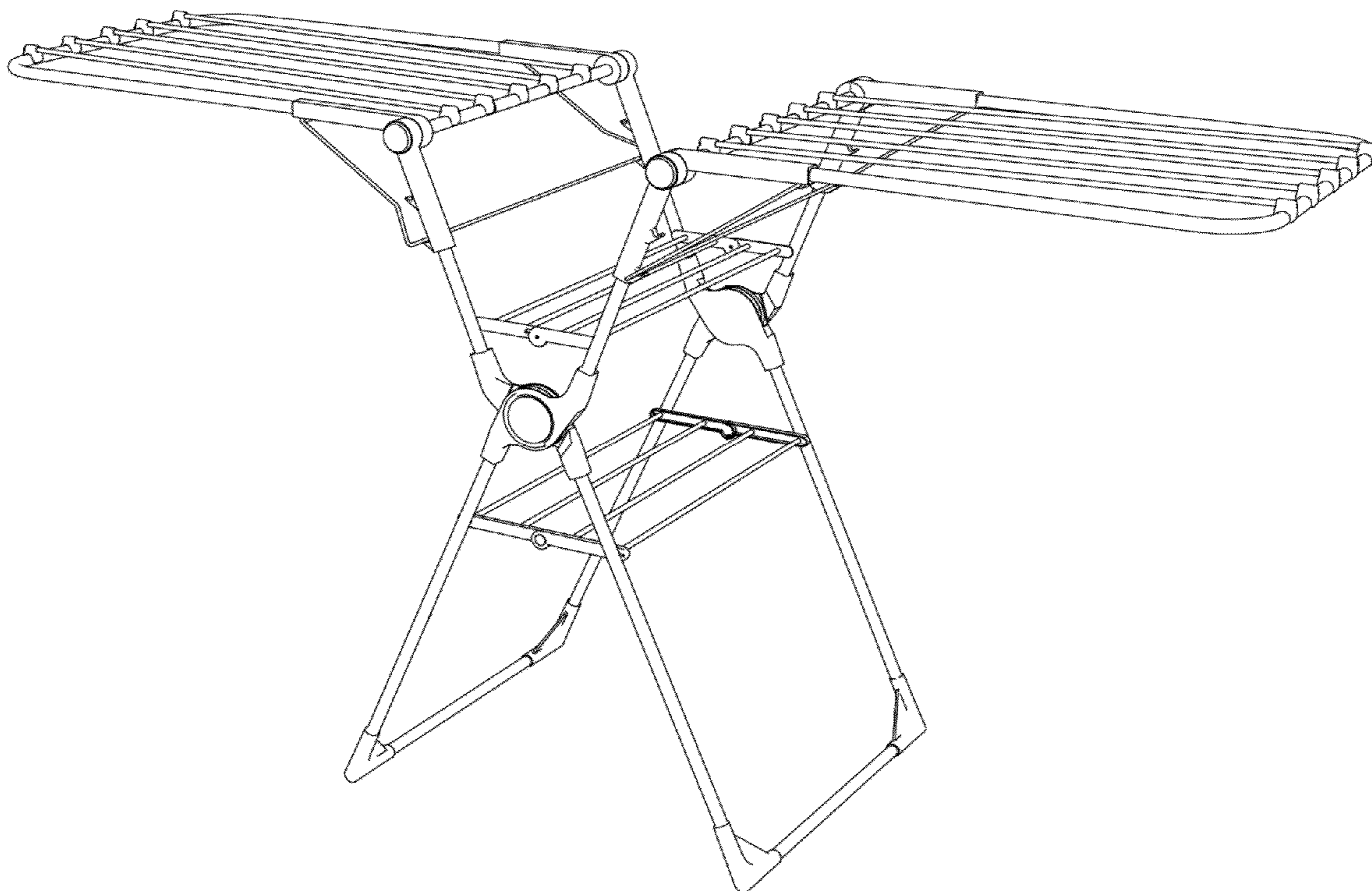


FIG. 1

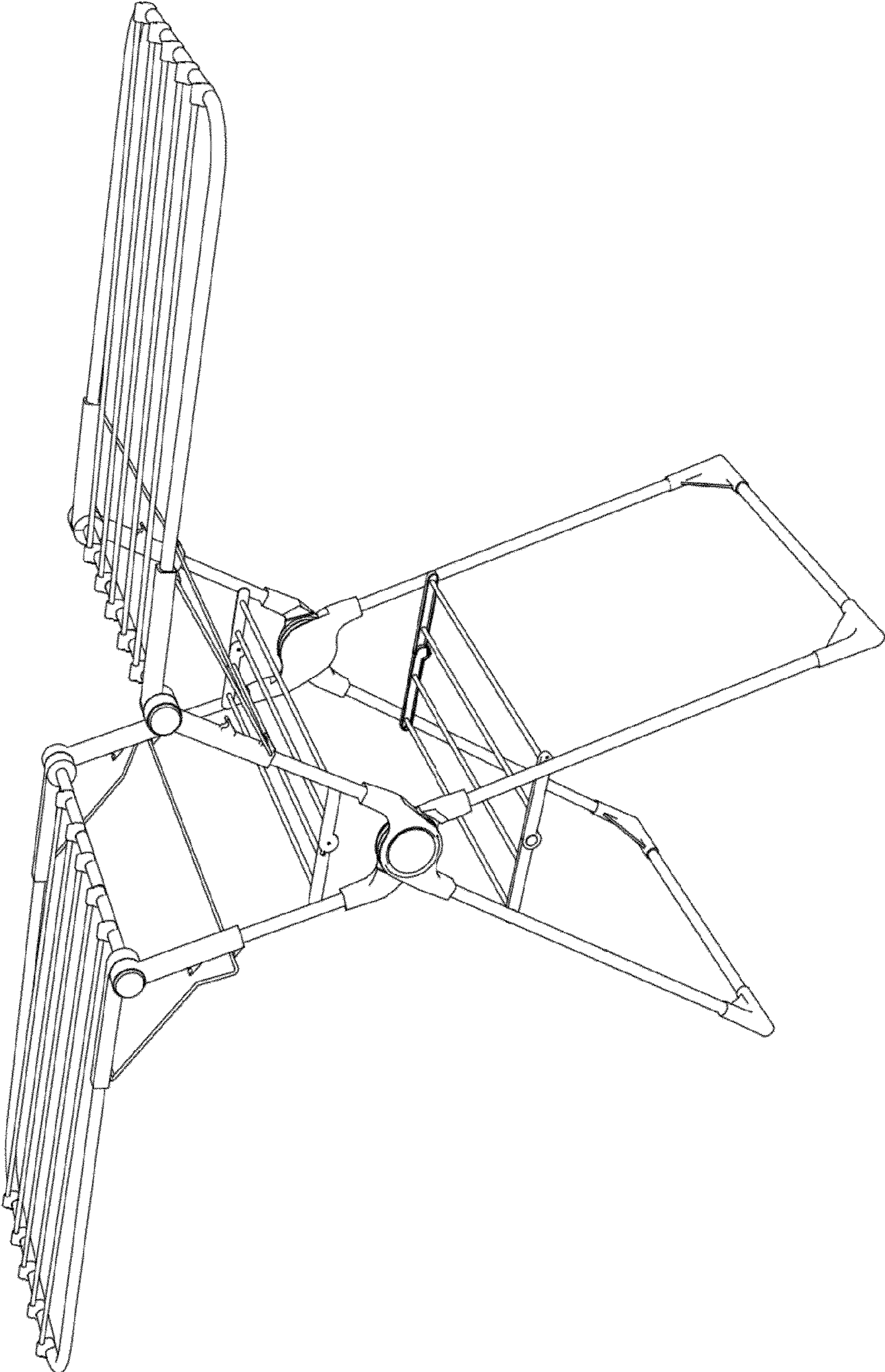


FIG. 2

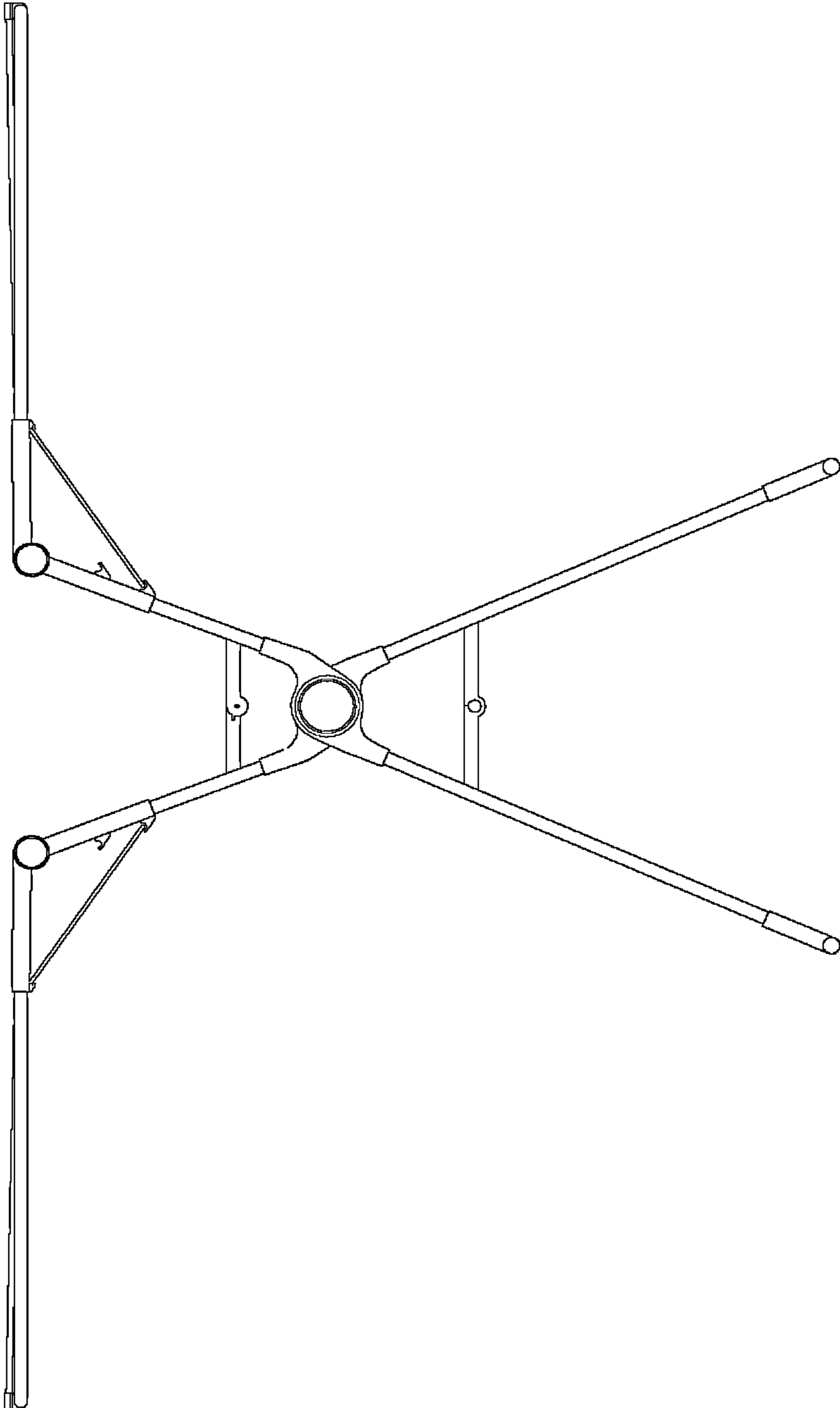


FIG. 3

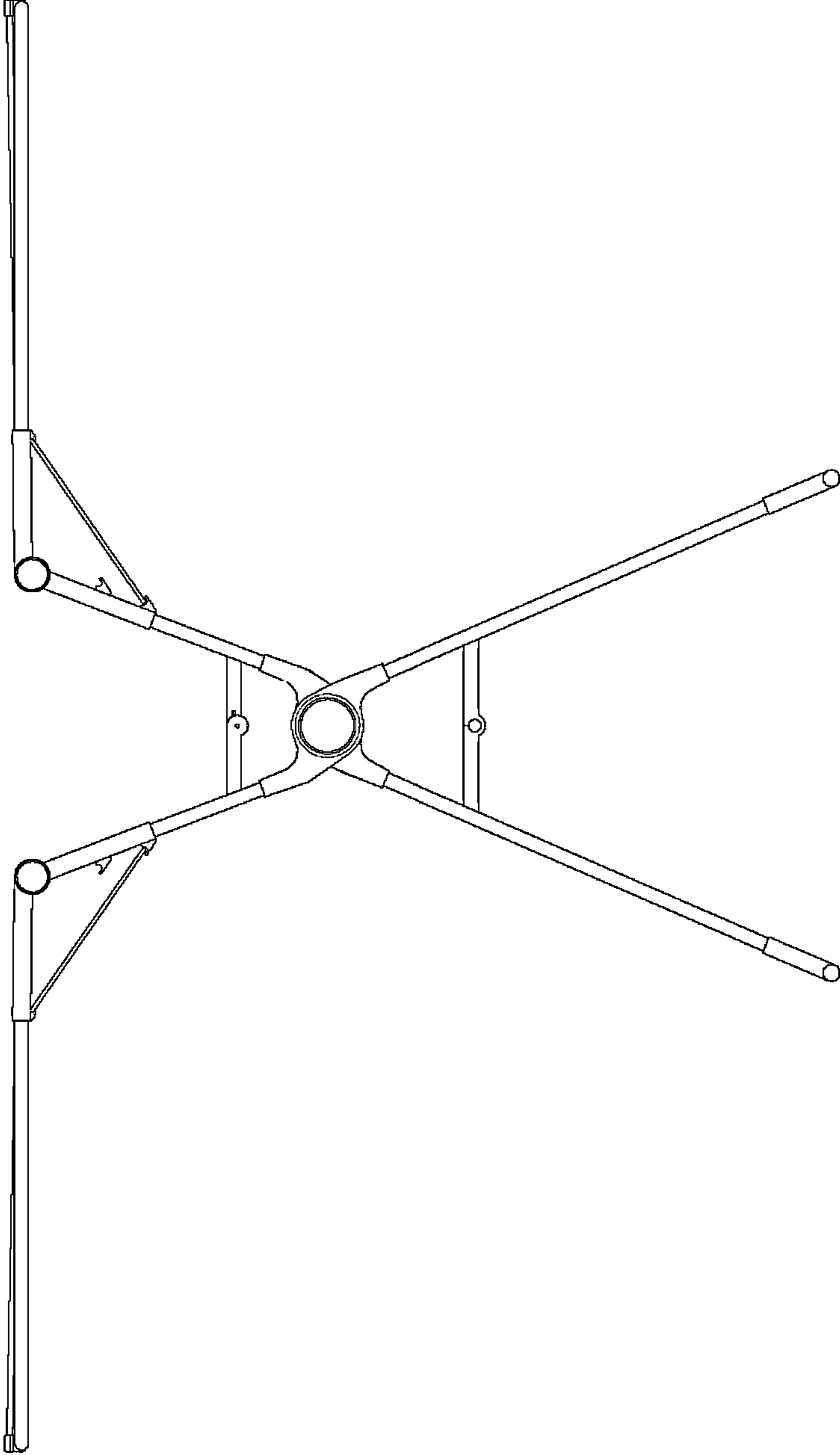


FIG. 4

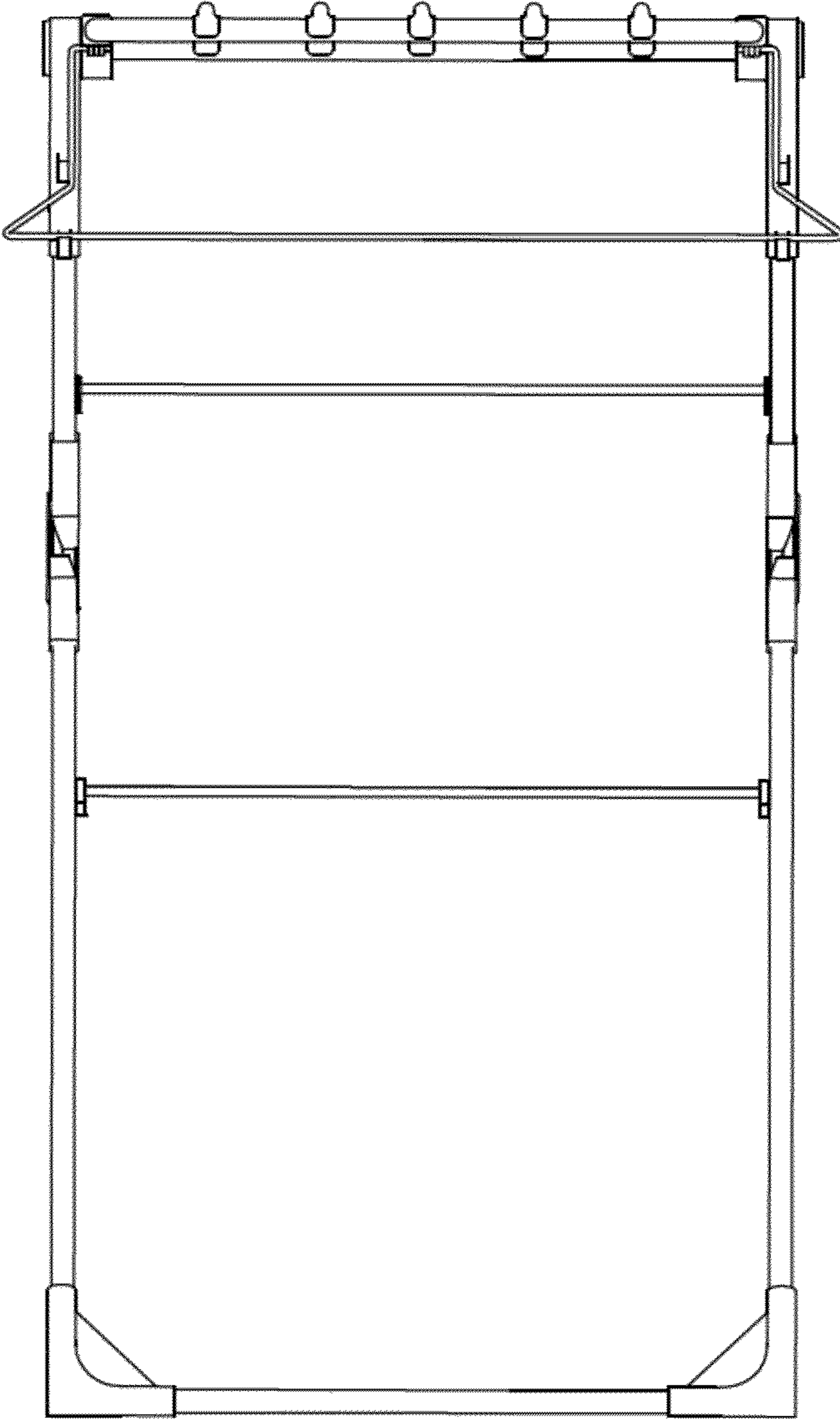


FIG. 5

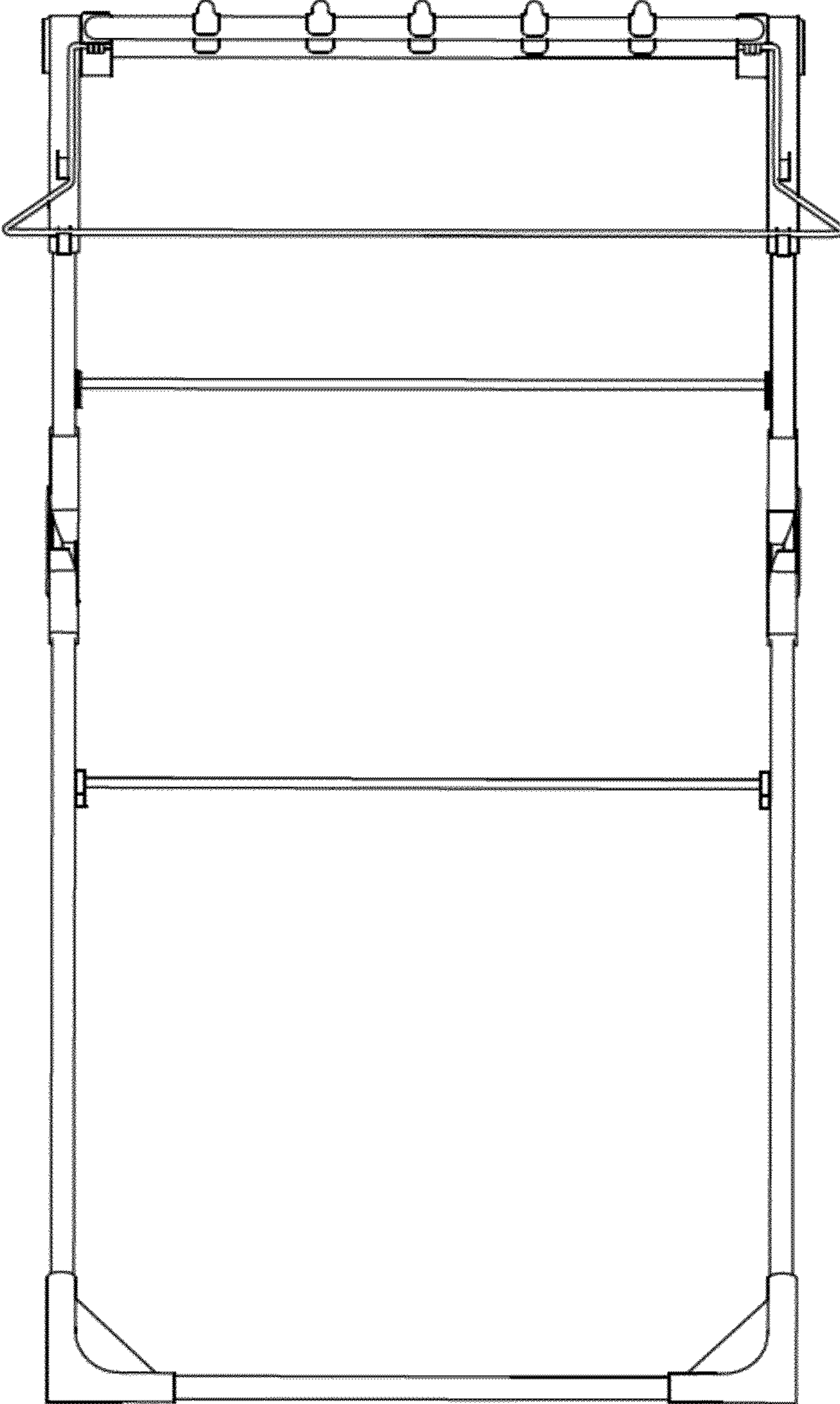


FIG. 6

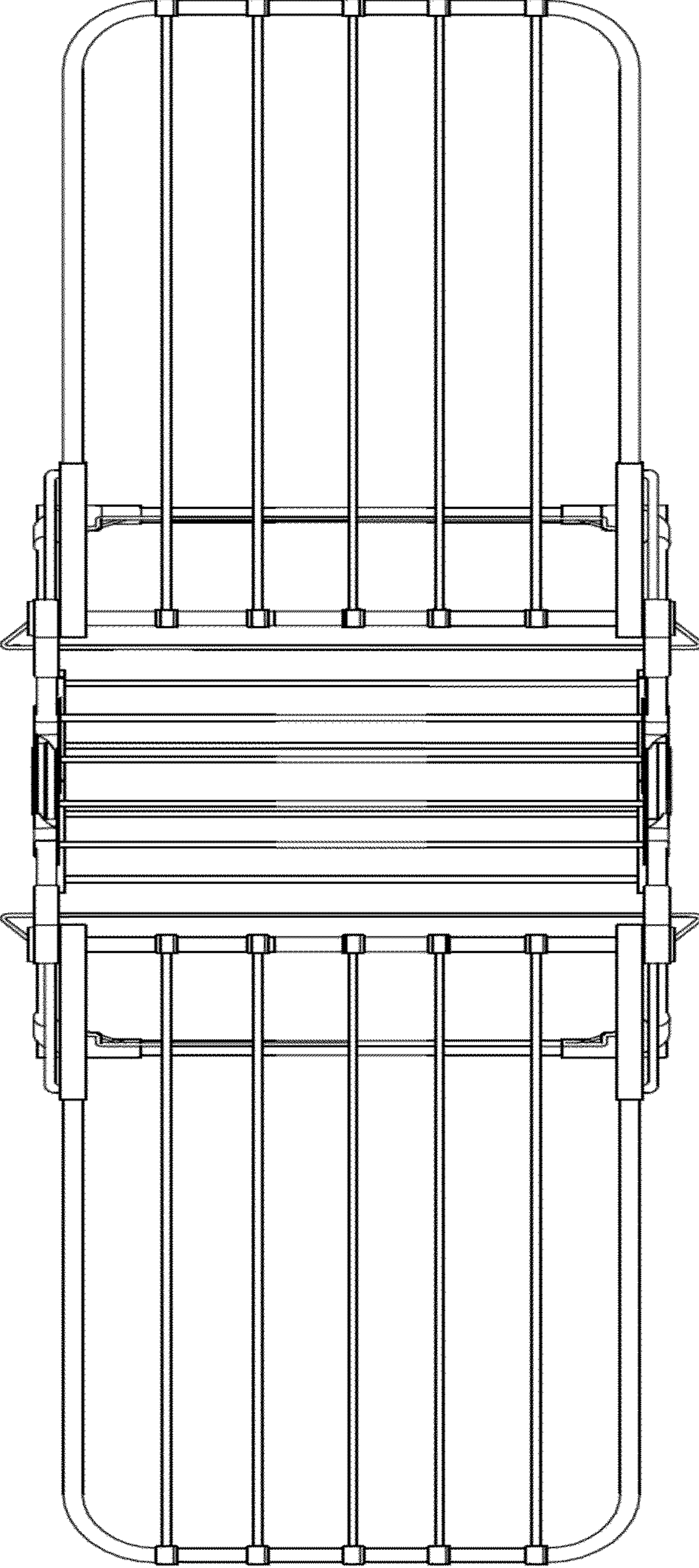


FIG. 7

