



US00D737529S

(12) **United States Design Patent**  
**Ballantyne**

(10) **Patent No.:** **US D737,529 S**

(45) **Date of Patent:** **\*\* Aug. 25, 2015**

(54) **DRUM LID FOR A GUTTER VACUUM**

(71) Applicant: **Warren Ballantyne**, Brisbane (AU)

(72) Inventor: **Warren Ballantyne**, Brisbane (AU)

(73) Assignee: **Gutter-Vac International Pty Ltd**,  
Queensland (AU)

(\*\*) Term: **14 Years**

(21) Appl. No.: **29/481,932**

(22) Filed: **Feb. 12, 2014**

(51) **LOC (10) Cl.** ..... **15-05**

(52) **U.S. Cl.**  
USPC ..... **D32/31**

(58) **Field of Classification Search**  
USPC ..... D32/21-24, 32-34; 15/353, 320-321,  
15/323, 340.2, 412, 339, 327.1-327.7  
See application file for complete search history.

(56) **References Cited**

U.S. PATENT DOCUMENTS

4,476,608	A *	10/1984	Rasmussen	.....	15/353
5,311,640	A *	5/1994	Holland	.....	15/353
6,944,909	B2 *	9/2005	Bair et al.	.....	15/353
7,404,231	B2 *	7/2008	Kang	.....	15/353
7,761,957	B2 *	7/2010	Gabric	.....	15/412
8,001,652	B2 *	8/2011	Bair et al.	.....	15/353
8,484,799	B2 *	7/2013	Conrad	.....	15/353
2004/0089157	A1 *	5/2004	von Stackelberg, Jr.	.....	96/406
2004/0128789	A1 *	7/2004	Harris et al.	.....	15/353
2005/0066469	A1 *	3/2005	Oh et al.	.....	15/353
2007/0028416	A1 *	2/2007	Dunkel et al.	.....	15/353
2007/0039127	A1 *	2/2007	Kang	.....	15/353
2007/0067948	A1 *	3/2007	Biere	.....	15/412
2007/0163073	A1 *	7/2007	Sepke et al.	.....	15/353
2007/0294858	A1 *	12/2007	Murphy	.....	15/353

2011/0283475	A1 *	11/2011	Cappuccio et al.	.....	15/327.1
2012/0222262	A1 *	9/2012	Conrad	.....	15/412
2012/0312328	A1 *	12/2012	Chavez	.....	134/21
2013/0074282	A1 *	3/2013	Schneider et al.	.....	15/353

\* cited by examiner

*Primary Examiner* — Ruth McInroy

(74) *Attorney, Agent, or Firm* — Fitzpatrick PC

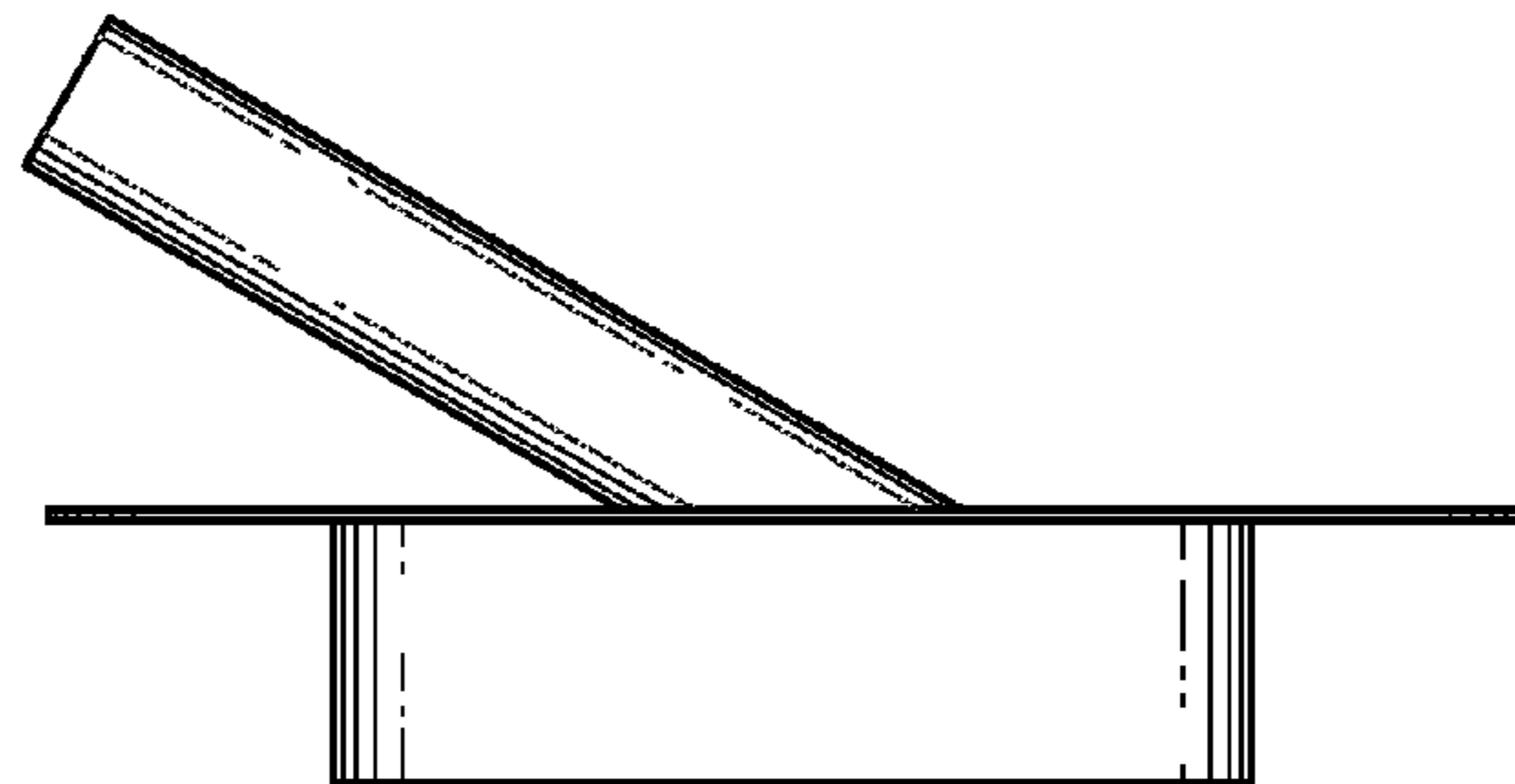
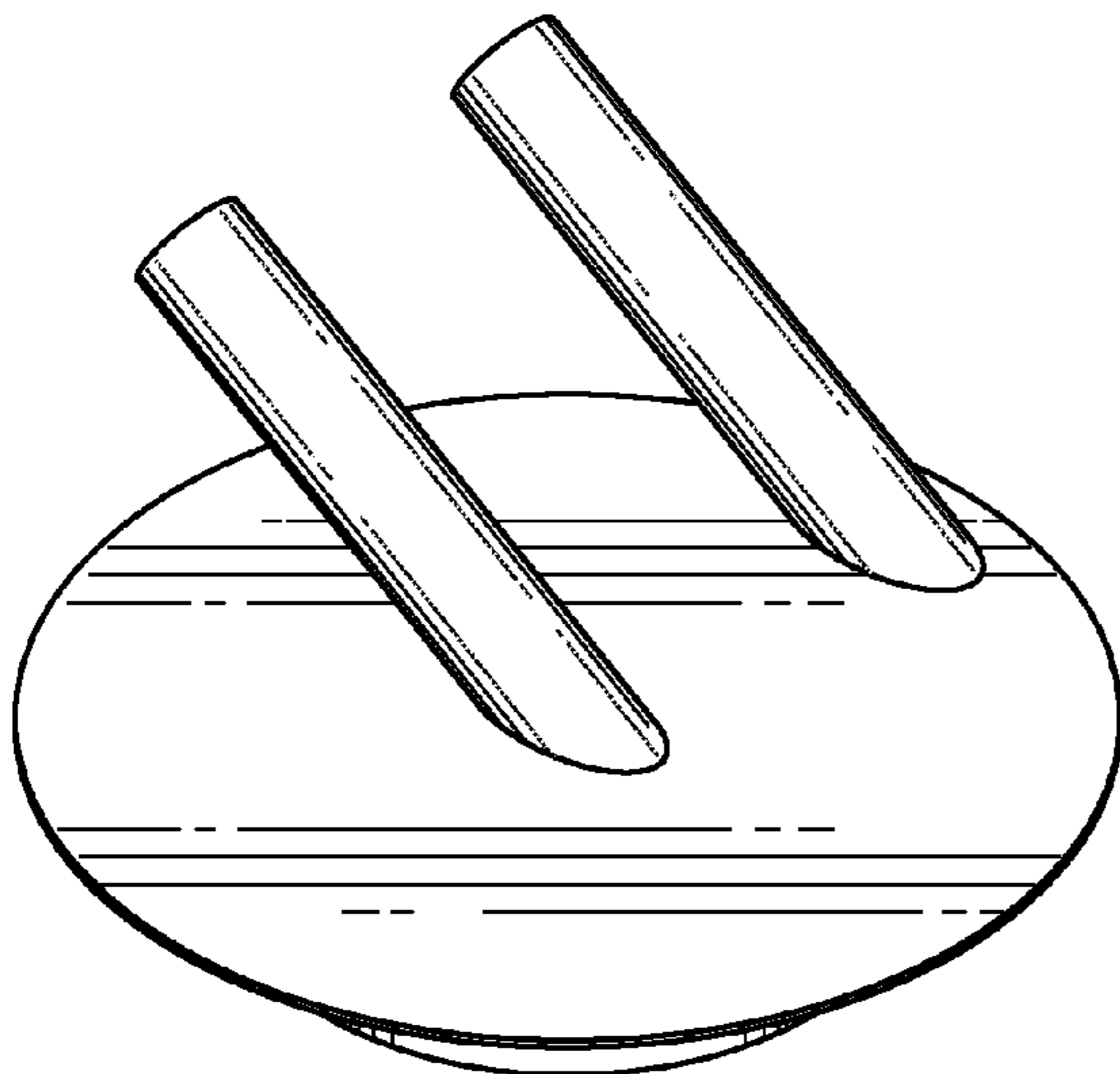
(57) **CLAIM**

The ornamental design for a drum lid for a gutter vacuum, as shown and described.

**DESCRIPTION**

FIG. 1 is a top, rear perspective view of a drum lid for a gutter vacuum showing my new design;  
 FIG. 2 is a side view thereof;  
 FIG. 3 is a top view thereof;  
 FIG. 4 is a top, rear perspective view of the middle portion of a drum lid for a gutter vacuum;  
 FIG. 5 is a side view of FIG. 4;  
 FIG. 6 is a top view of FIG. 4;  
 FIG. 7 is a top view of the bottom portion of a drum lid for a gutter vacuum;  
 FIG. 8 is a side view of FIG. 7;  
 FIG. 9 is a top, rear perspective view of FIG. 7;  
 FIG. 10 is a side view opposite FIG. 8;  
 FIG. 11 is a top, rear perspective view of the tube portion of a drum lid for a gutter vacuum;  
 FIG. 12 is a side view of FIG. 11;  
 FIG. 13 is a top view of FIG. 11; and,  
 FIG. 14 is a top, front perspective view of a drum lid in assembled condition.  
 FIGS. 4-12 are shown separate for clarity of illustration. The design is shown fully assembled in FIGS. 1-3 and 14.

**1 Claim, 5 Drawing Sheets**



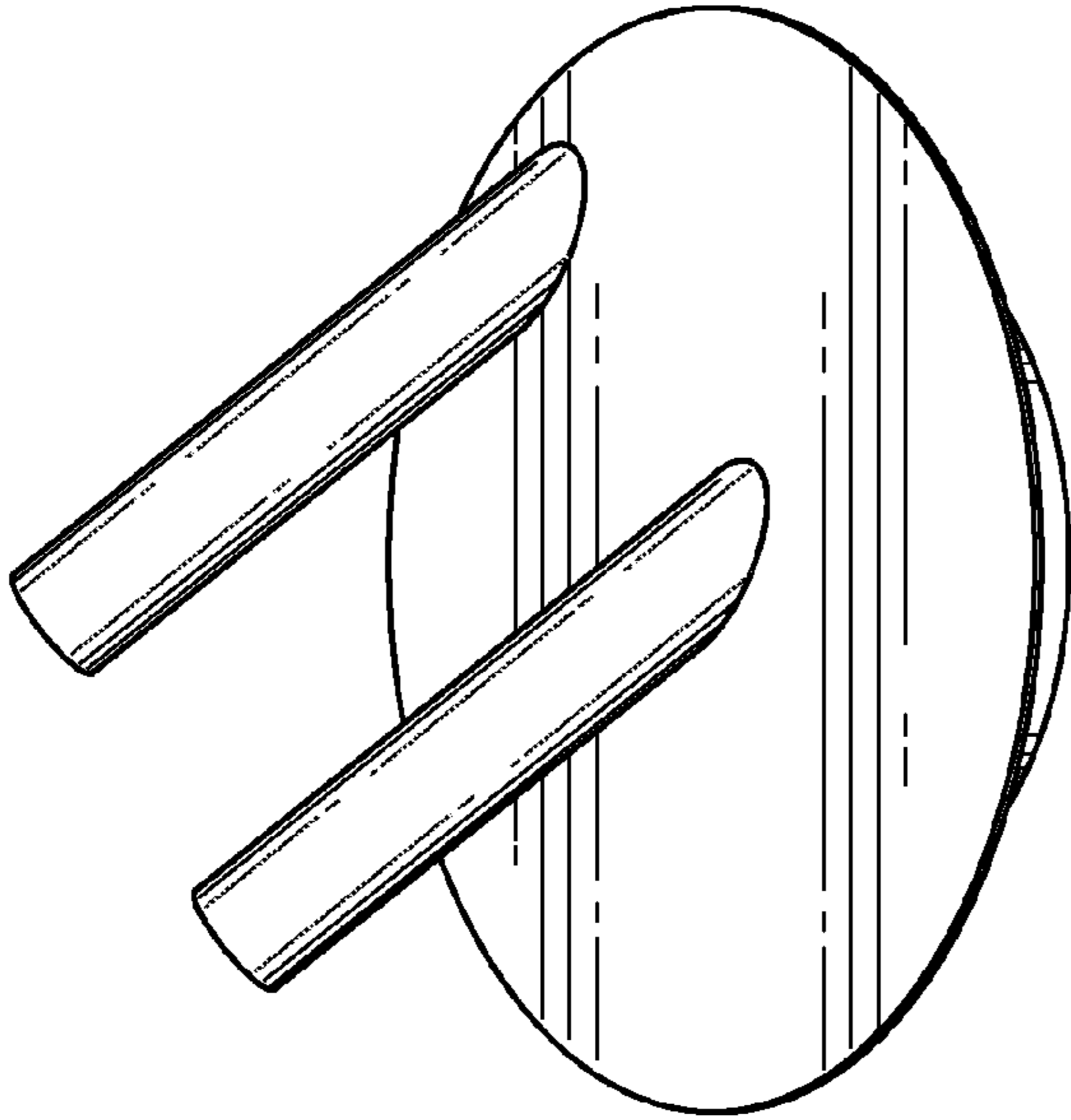


FIG. 1

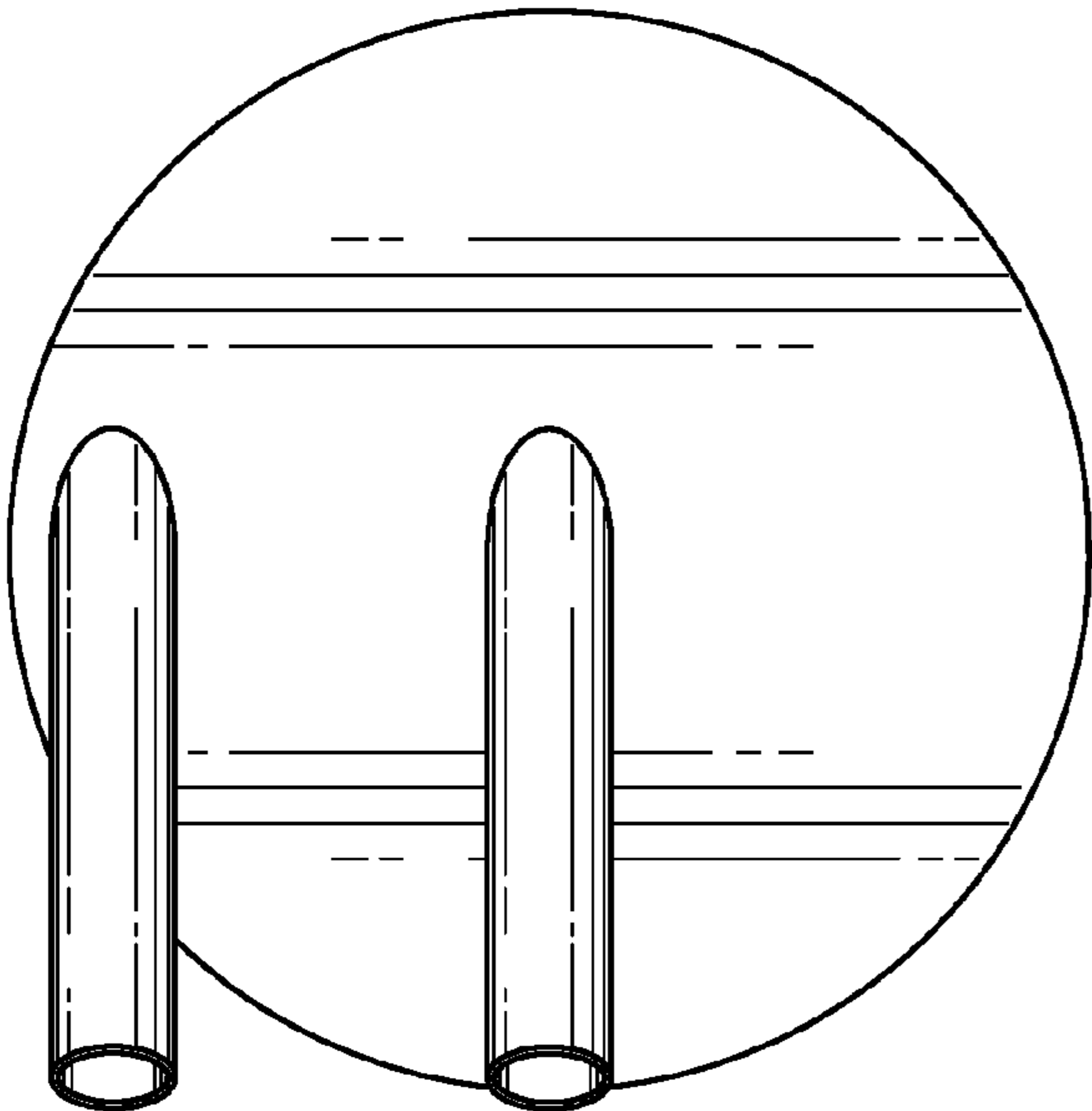


FIG. 3

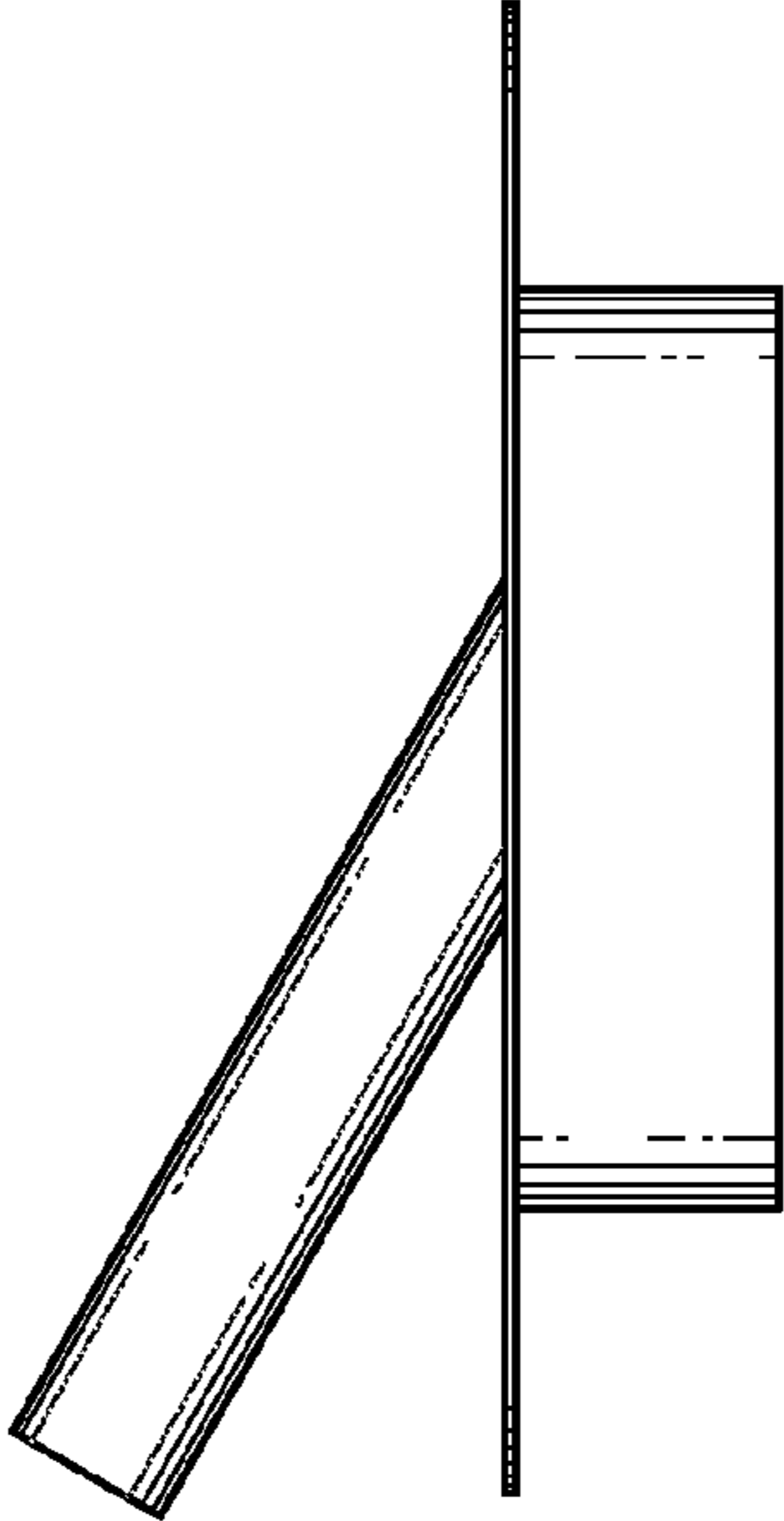


FIG. 2

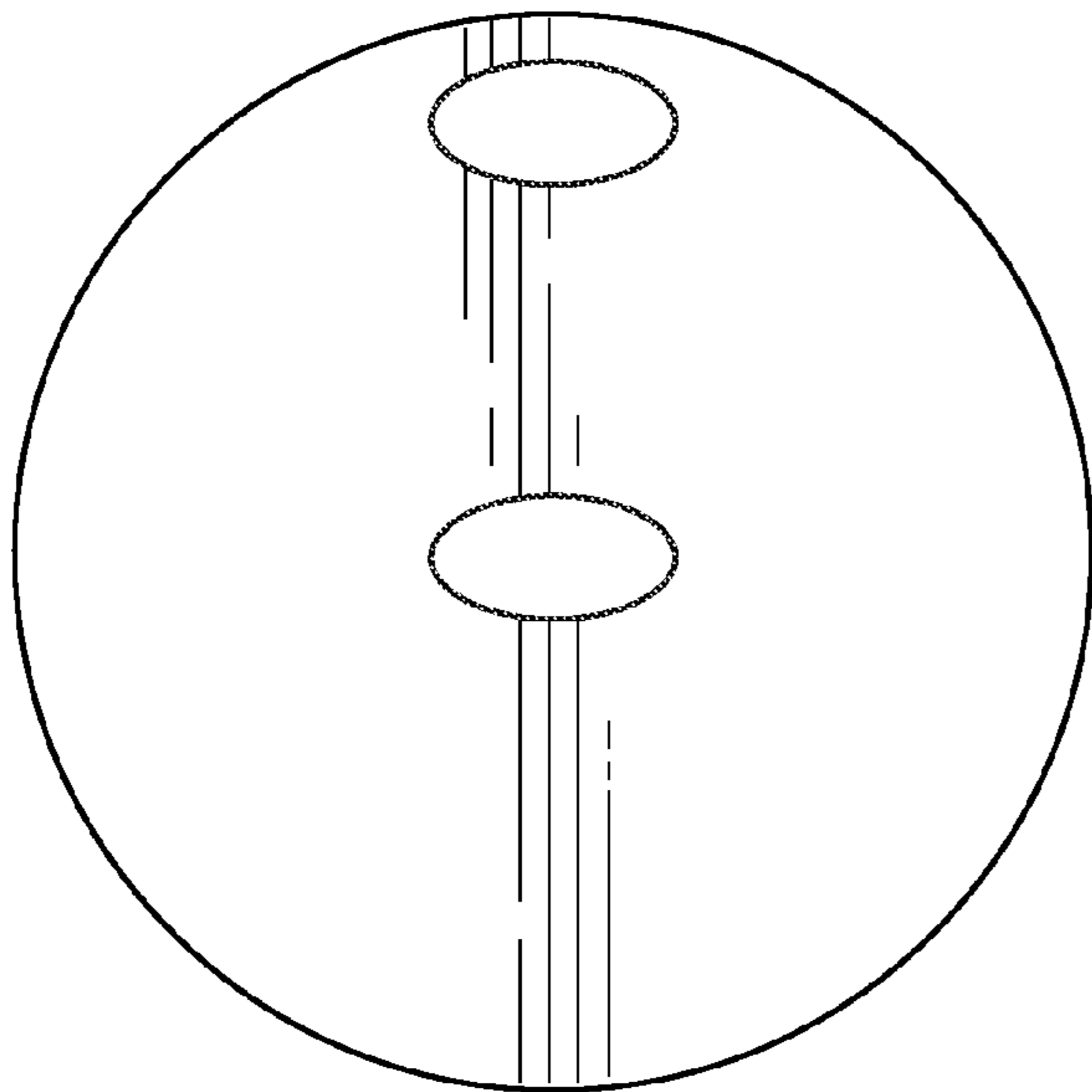


FIG. 6

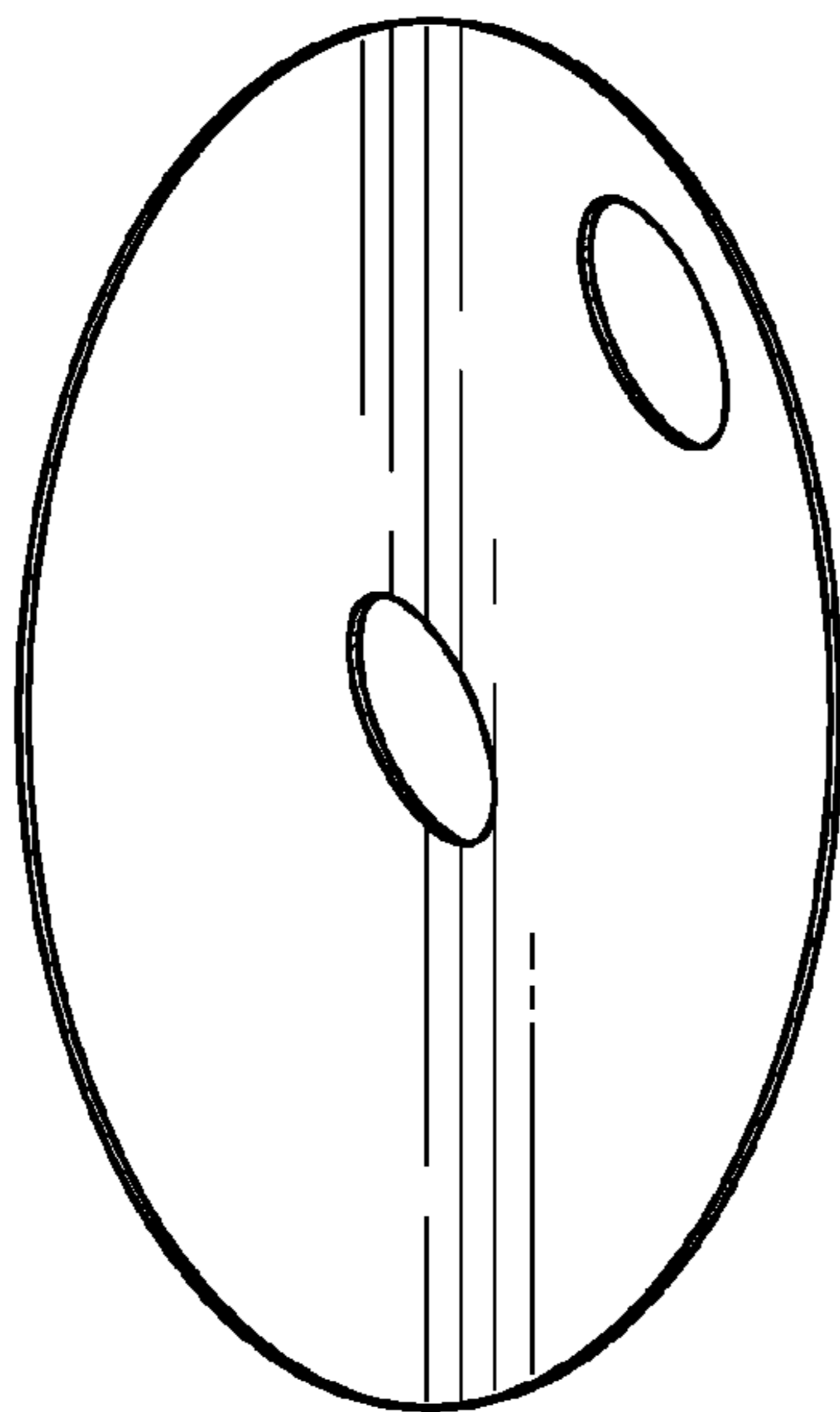


FIG. 4



FIG. 5

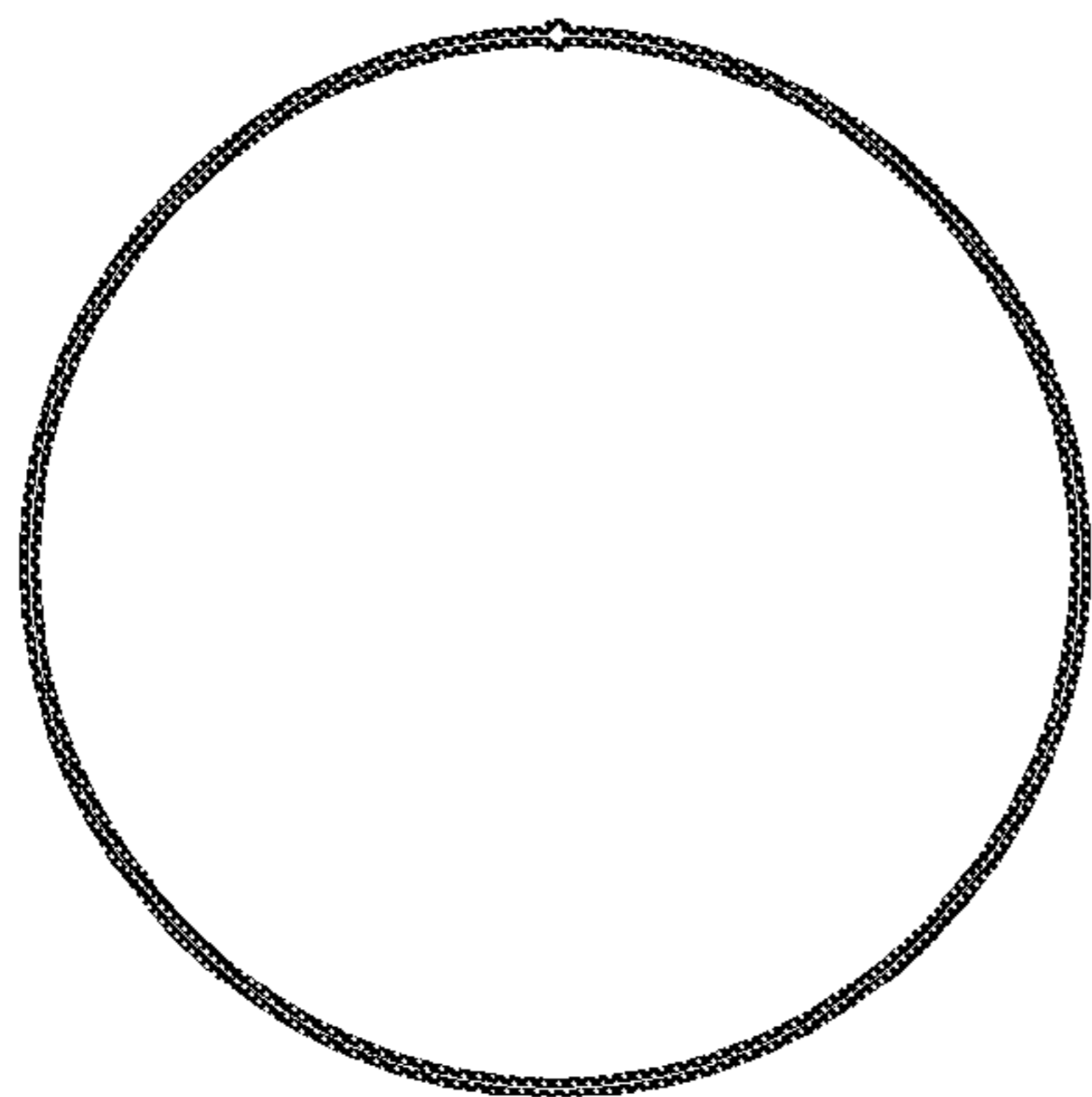


FIG. 7

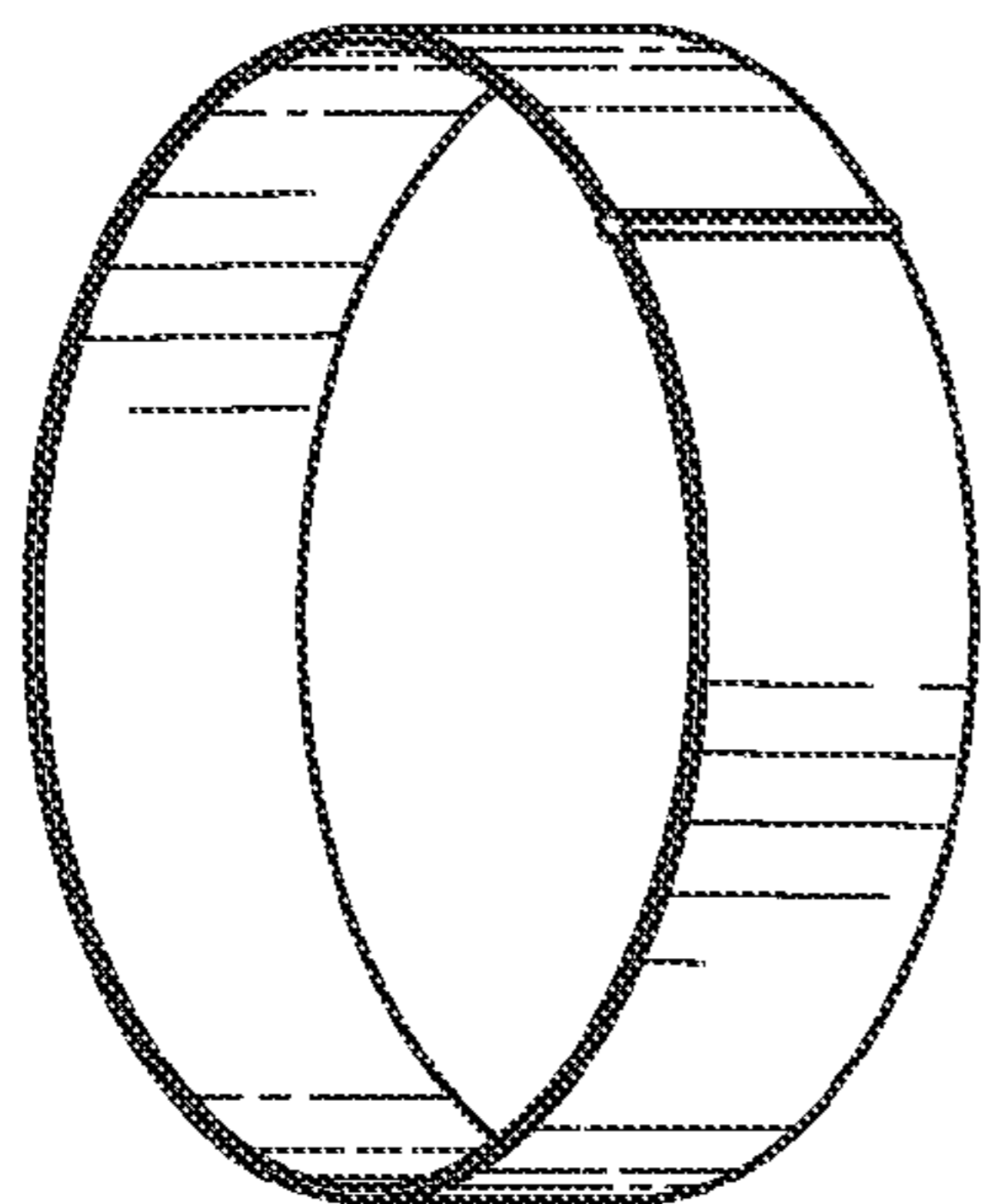


FIG. 9

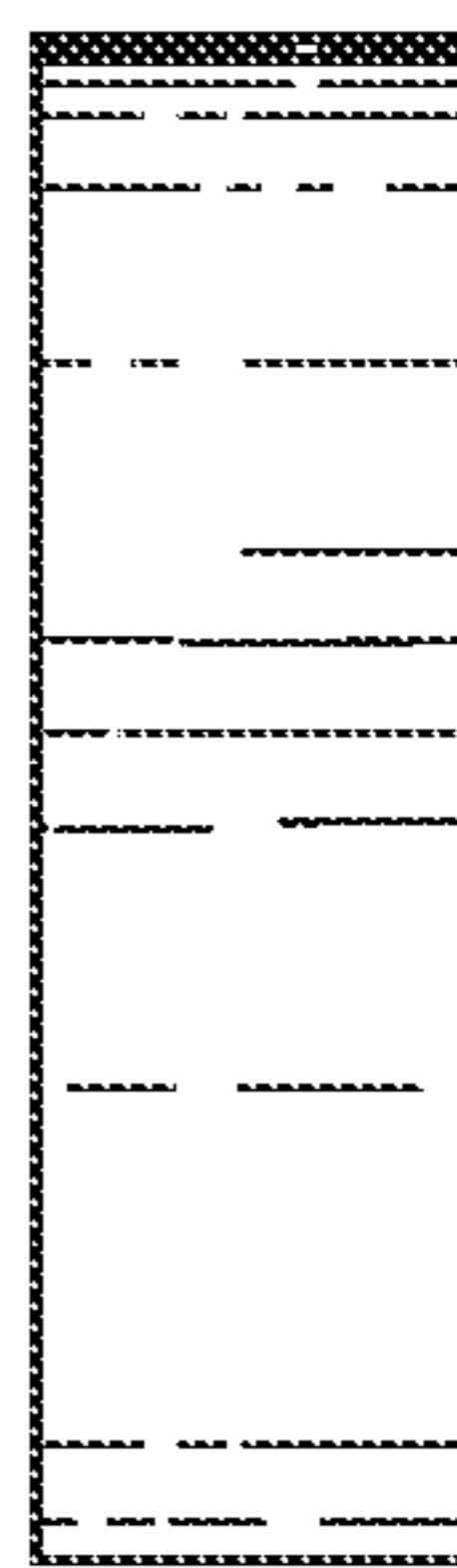


FIG. 8

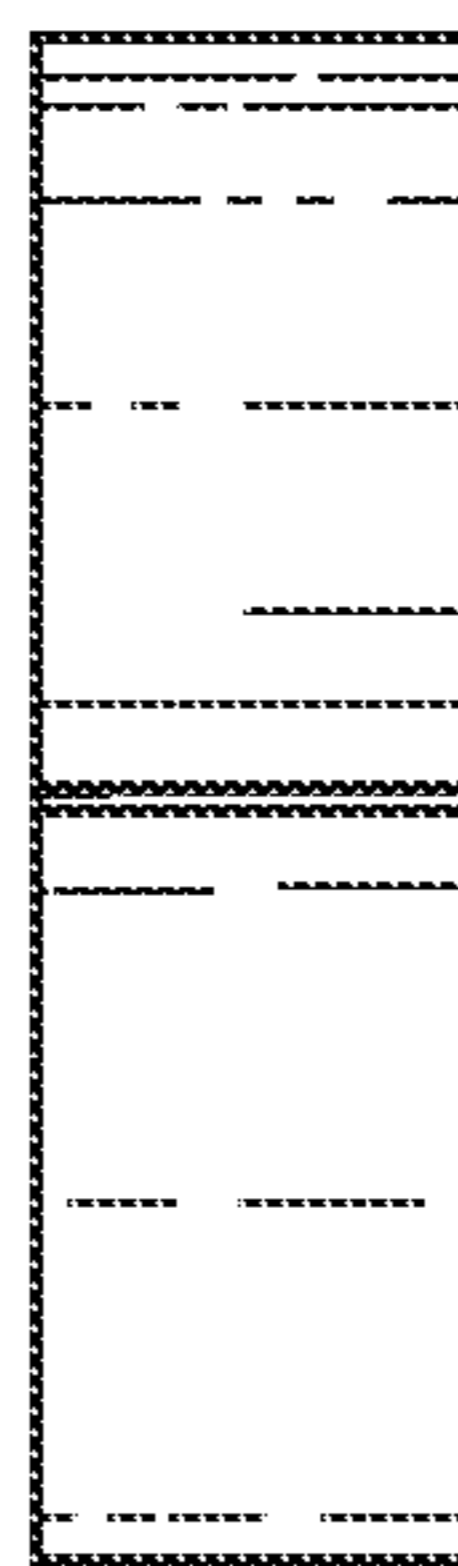


FIG. 10



FIG. 13



FIG. 12

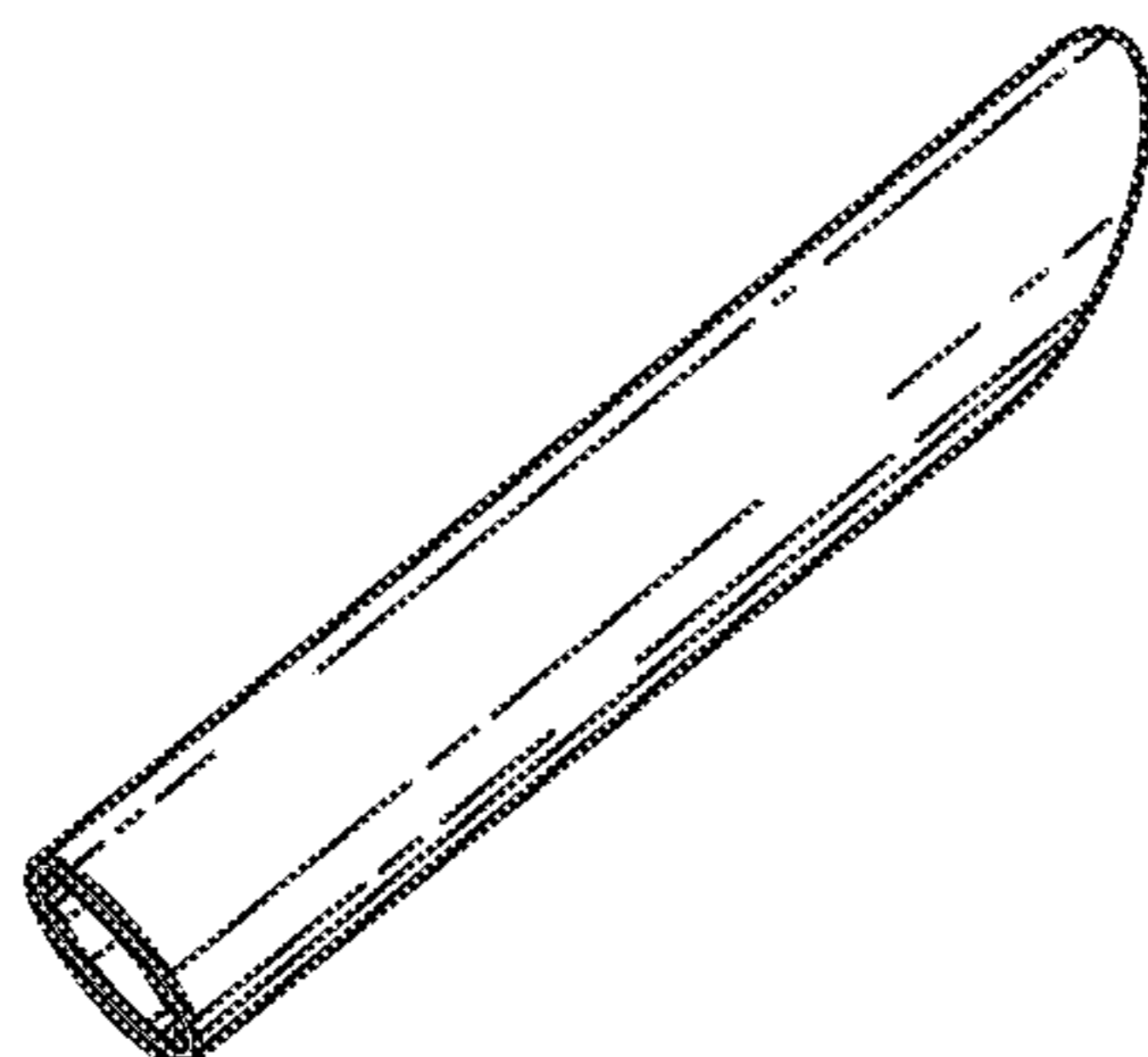


FIG. 11

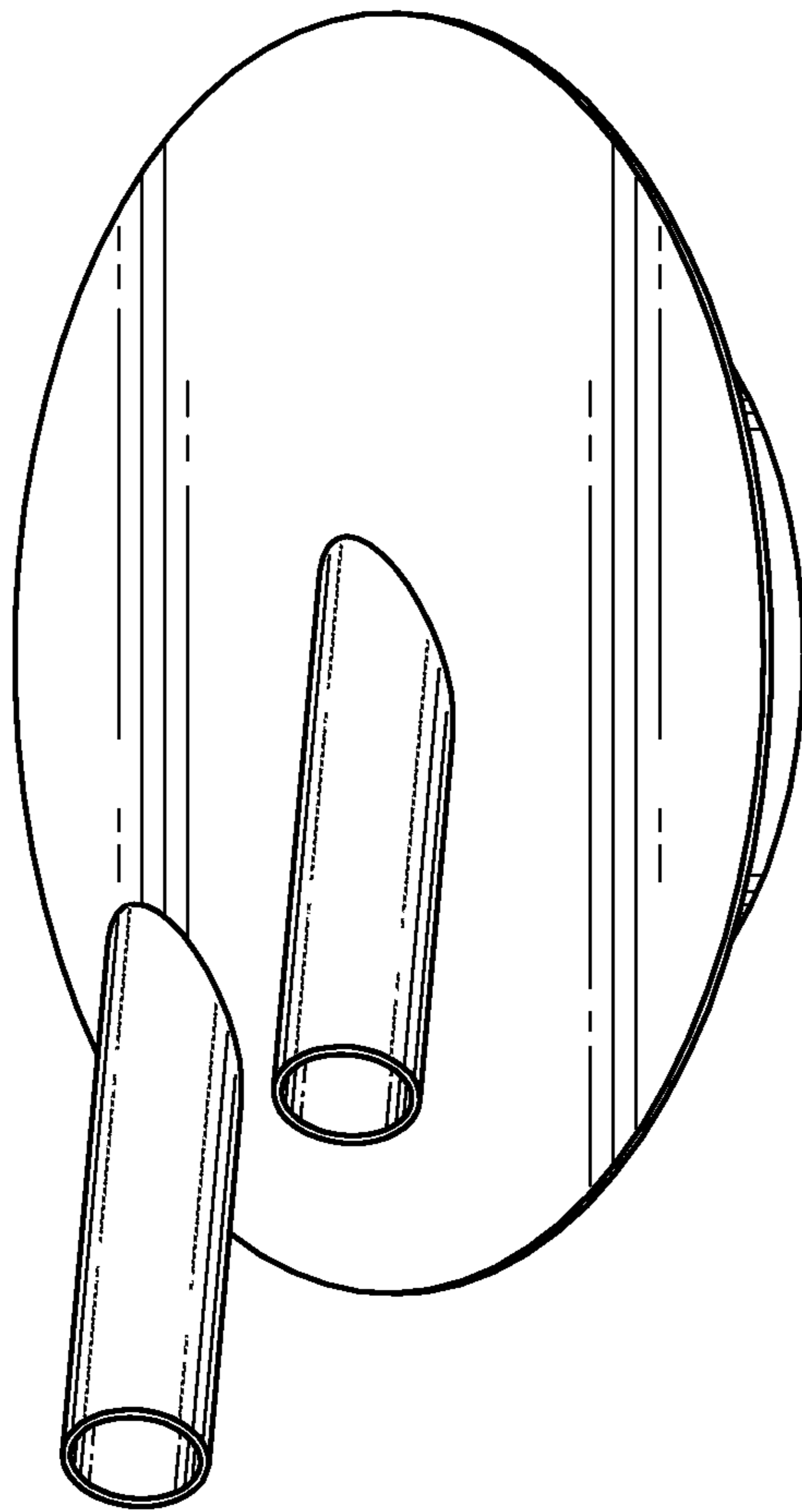


FIG. 14