



US00D737528S

(12) **United States Design Patent**
Dammkoehler

(10) **Patent No.:** **US D737,528 S**

(45) **Date of Patent:** **** Aug. 25, 2015**

(54) **HIGH PRESSURE CLEANER**

(71) Applicant: **Alfred Kaercher GmbH & Co. KG,**
Winnenden (DE)

(72) Inventor: **Denis Dammkoehler,** Backnang (DE)

(73) Assignee: **Alfred Kaercher GmbH & Co. KG,**
Winnenden (DE)

(**) Term: **14 Years**

(21) Appl. No.: **29/483,012**

(22) Filed: **Feb. 25, 2014**

(30) **Foreign Application Priority Data**

Sep. 18, 2013 (WO) DM/081 774

(51) **LOC (10) Cl.** **15-05**

(52) **U.S. Cl.**
USPC **D32/25**

(58) **Field of Classification Search**
USPC D32/1, 25, 17, 15; D23/213, 223, 225,
D23/226; 239/525-527, 146-149, 722;
15/320-323, 340.1, 340.2; 417/360,
417/363-364

See application file for complete search history.

(56) **References Cited**

U.S. PATENT DOCUMENTS

D490,948 S *	6/2004	Cattaneo	D32/15
D521,694 S *	5/2006	Ricker et al.	D32/15
D532,166 S *	11/2006	Reverberi	D32/4
D551,812 S *	9/2007	Renner	D32/15
D551,814 S *	9/2007	Renner	D32/15
D556,959 S *	12/2007	Li	D32/15
D559,481 S *	1/2008	Renner	D32/15
D563,612 S *	3/2008	Li	D32/15
D564,146 S *	3/2008	Li	D32/15
D564,147 S *	3/2008	Li	D32/15
D570,060 S *	5/2008	Renner et al.	D32/15

D574,561 S *	8/2008	Ni	D32/16
D591,014 S *	4/2009	Li	D32/15
D630,390 S *	1/2011	Meyer	D32/15
D646,853 S *	10/2011	Alexander et al.	D32/15
D647,256 S *	10/2011	Alexander et al.	D32/15
D647,257 S *	10/2011	Alexander et al.	D32/15
D647,258 S *	10/2011	Alexander et al.	D32/15
D647,672 S *	10/2011	Alexander et al.	D32/15
D660,525 S *	5/2012	Alexander et al.	D32/15
D661,438 S *	6/2012	Alexander et al.	D32/15
D694,968 S *	12/2013	Dammkoehler	D32/15

(Continued)

OTHER PUBLICATIONS

Extract from catalog of Alfred Kaercher GmbH & Co. KG,
“Programme 2009 Kaercher Professional Commercial”, cover, pp.
10-17, 20, 21 and last page (Mar. 2009).

(Continued)

Primary Examiner — T. Chase Nelson

Assistant Examiner — Michelle E Wilson

(74) *Attorney, Agent, or Firm* — Lipsitz & McAllister, LLC

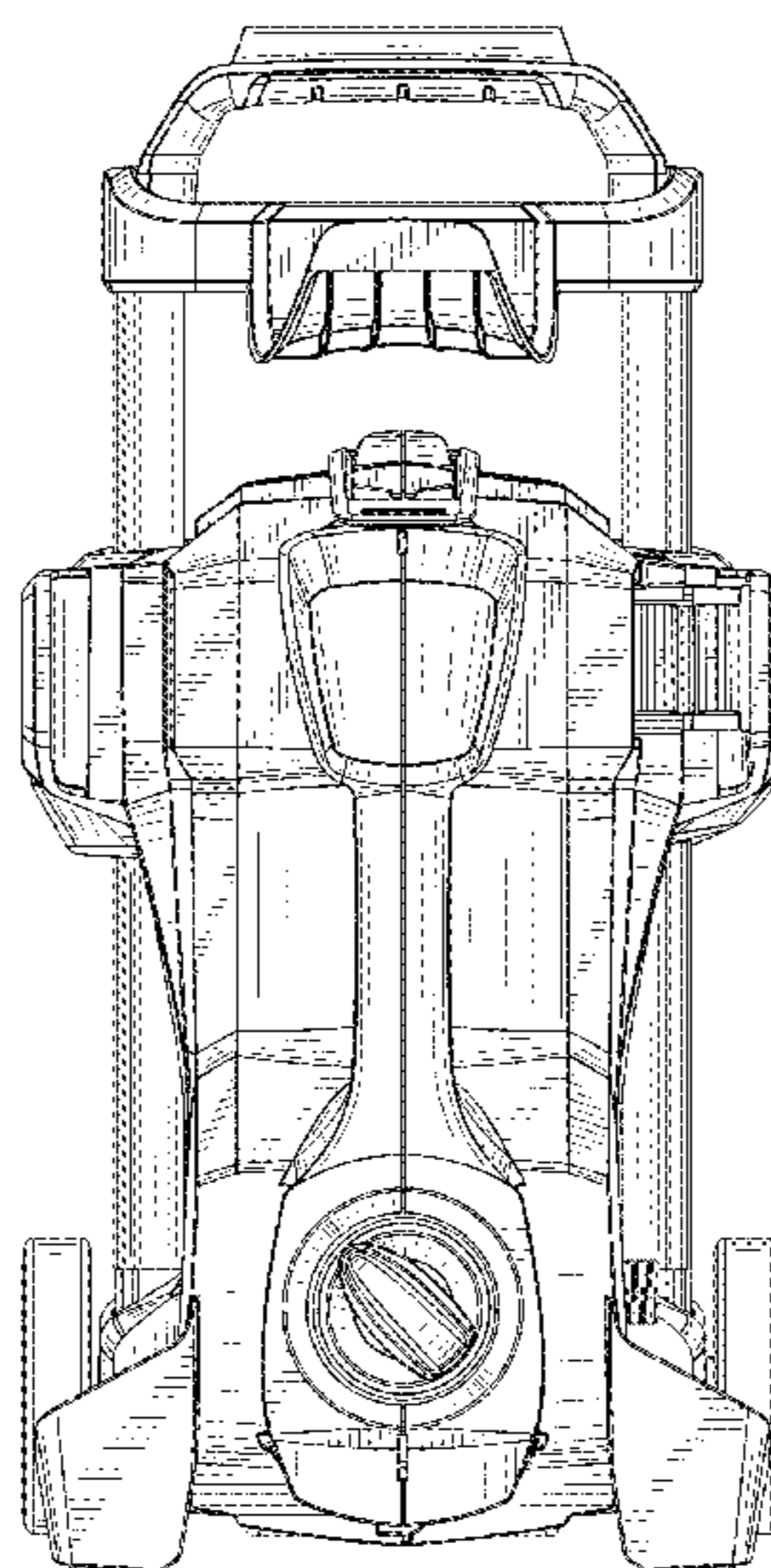
(57) **CLAIM**

The ornamental design for a high pressure cleaner, as shown
and described.

DESCRIPTION

FIG. 1 is a front elevational view of a high pressure cleaner
showing the new design;
FIG. 2 is a rear elevational view thereof;
FIG. 3 is a top plan view thereof;
FIG. 4 is a left side elevational view thereof;
FIG. 5 is a right side elevational view thereof;
FIG. 6 is a front, top and left side elevational view thereof;
and,
FIG. 7 is a front, top and right side elevational view thereof.
The broken line showing of various elements in the drawings
forms no part of the claimed design.

1 Claim, 7 Drawing Sheets



(56)

References Cited

U.S. PATENT DOCUMENTS

D695,321 S * 12/2013 Dammkoehler D15/15
D696,824 S * 12/2013 Dammkoehler D32/15

OTHER PUBLICATIONS

Extract from catalog of Alfred Kaercher GmbH & Co. KG, "Programme 2009 Kaercher Residential", cover, pp. 10-27 and last page (Mar. 2009).

Extract from catalog of Alfred Kaercher GmbH & Co. KG, "Programme 2010 Kaercher Home & Garden", cover, pp. 10-24 and last page (Nov. 2009).

Extract from catalog of Alfred Kaercher GmbH & Co. KG, "Programme 2010 Kaercher Professional", cover, pp. 10-18, 21, 25 and last page (Nov. 2009).

Extract from catalog of Alfred Kaercher GmbH & Co. KG, "Programme 2011 Kaercher Professional", cover, pp. 12, 14, 16, 18, 24, 26 and last page (Nov. 2010).

Extract from catalog of Alfred Kaercher GmbH & Co. KG, "Programme 2011 Kaercher Home & Garden", cover, pp. 12-31 and last page (Nov. 2010).

Extract from catalog of Alfred Kaercher GmbH & Co. KG, "Programme 2012 Kaercher Home & Garden", cover, pp. 14, 15, 17, 20-41 and last page (Oct. 2011).

Extract from catalog of Alfred Kaercher GmbH & Co. KG, "Programme 2012 Kaercher Professional", cover, pp. 12, 14, 16, 18, 20-25, 28, 30, 32, 34-36, 38, 40-42, 44 and last page (Nov. 2011).

Extract from catalog of Alfred Kaercher GmbH & Co. KG, "Programme 2013 Kaercher Home & Garden", cover, pp. 15-17, 19-33, 36, 37, 39, 41-46 and last page (Oct. 2012).

Extract from catalog of Alfred Kaercher GmbH & Co. KG, "Programme 2013 Kaercher Professional", cover, pp. 16-49 and last page (Nov. 2012).

* cited by examiner

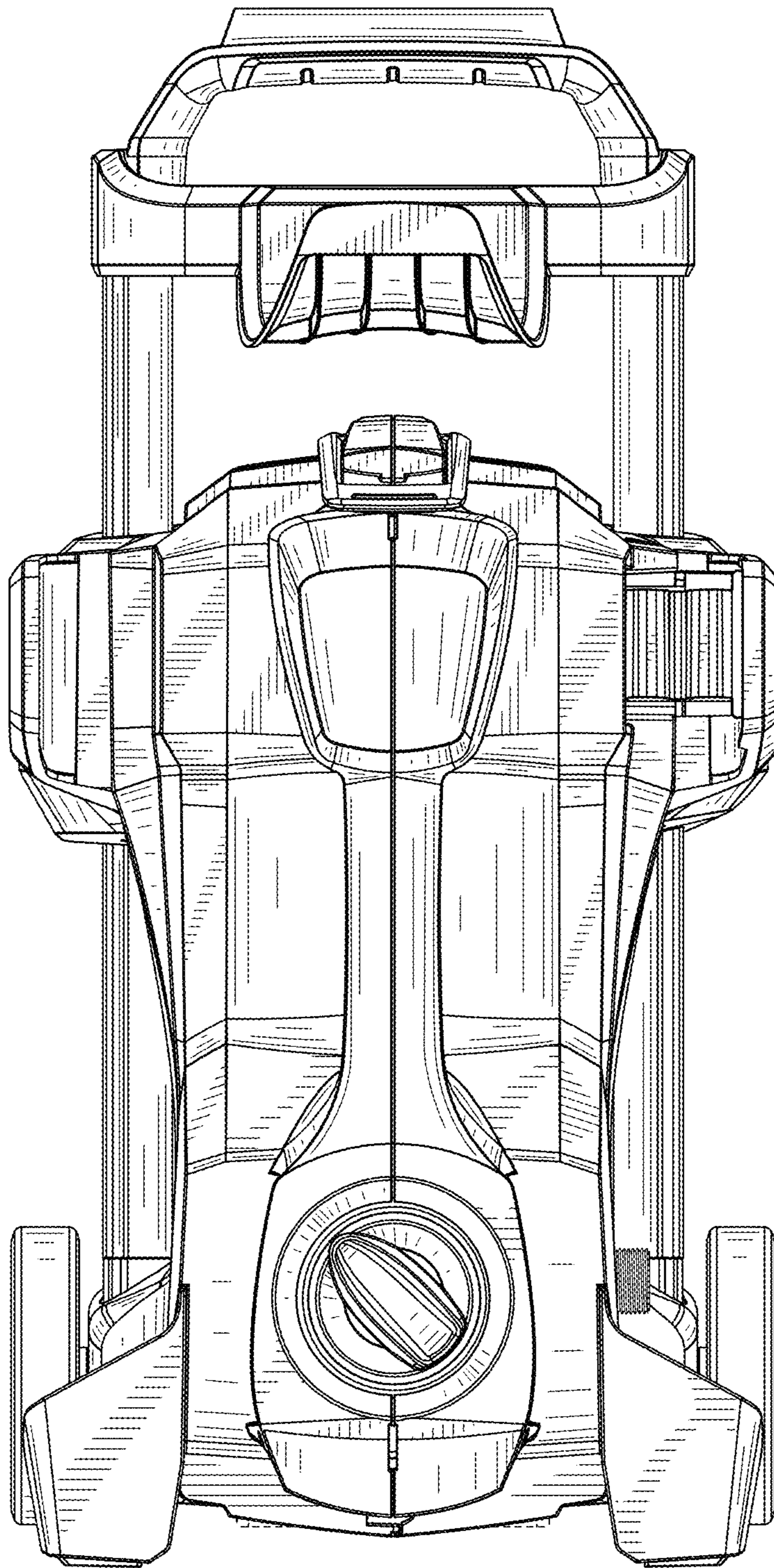


FIG. 1

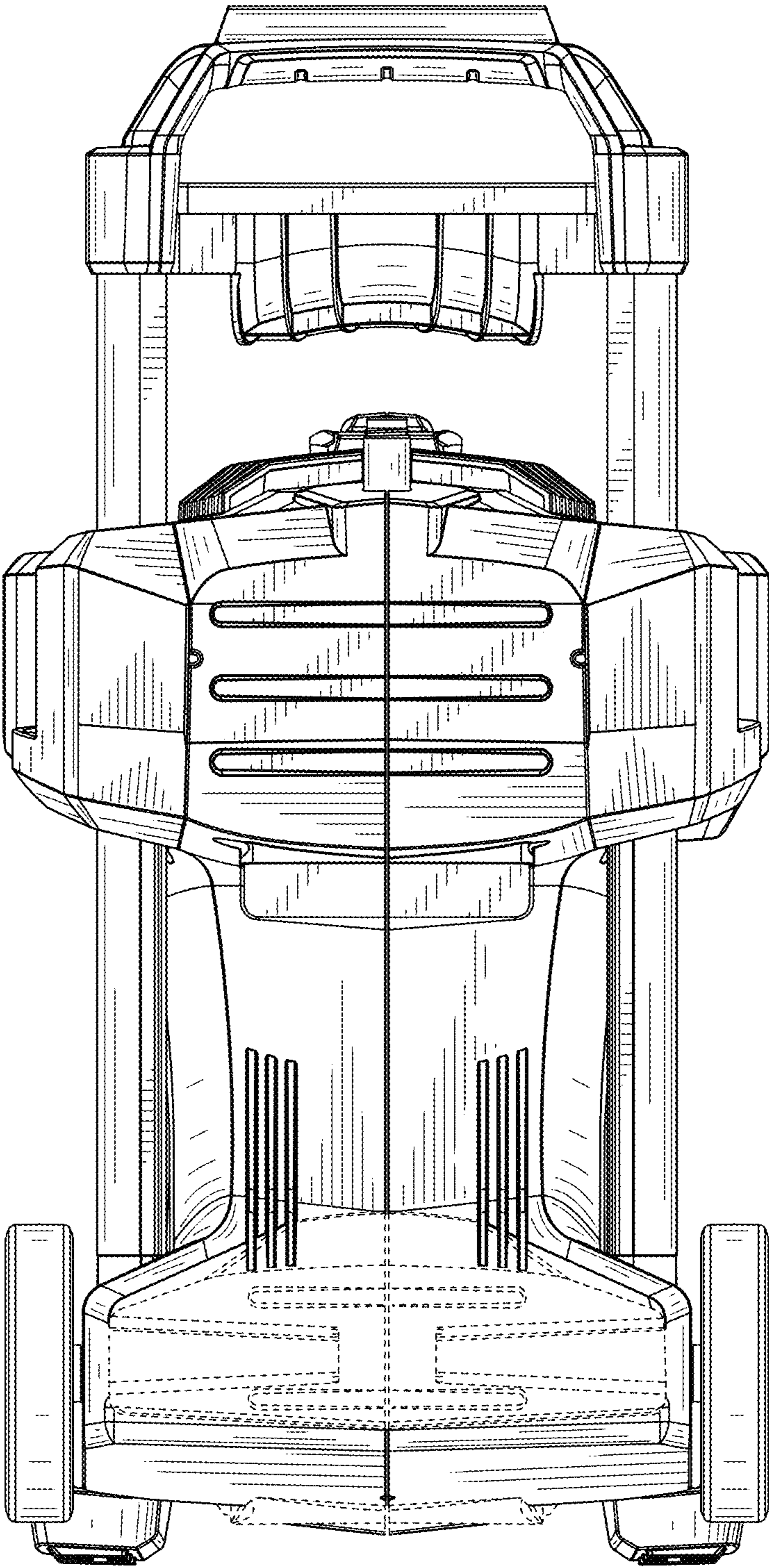


FIG. 2

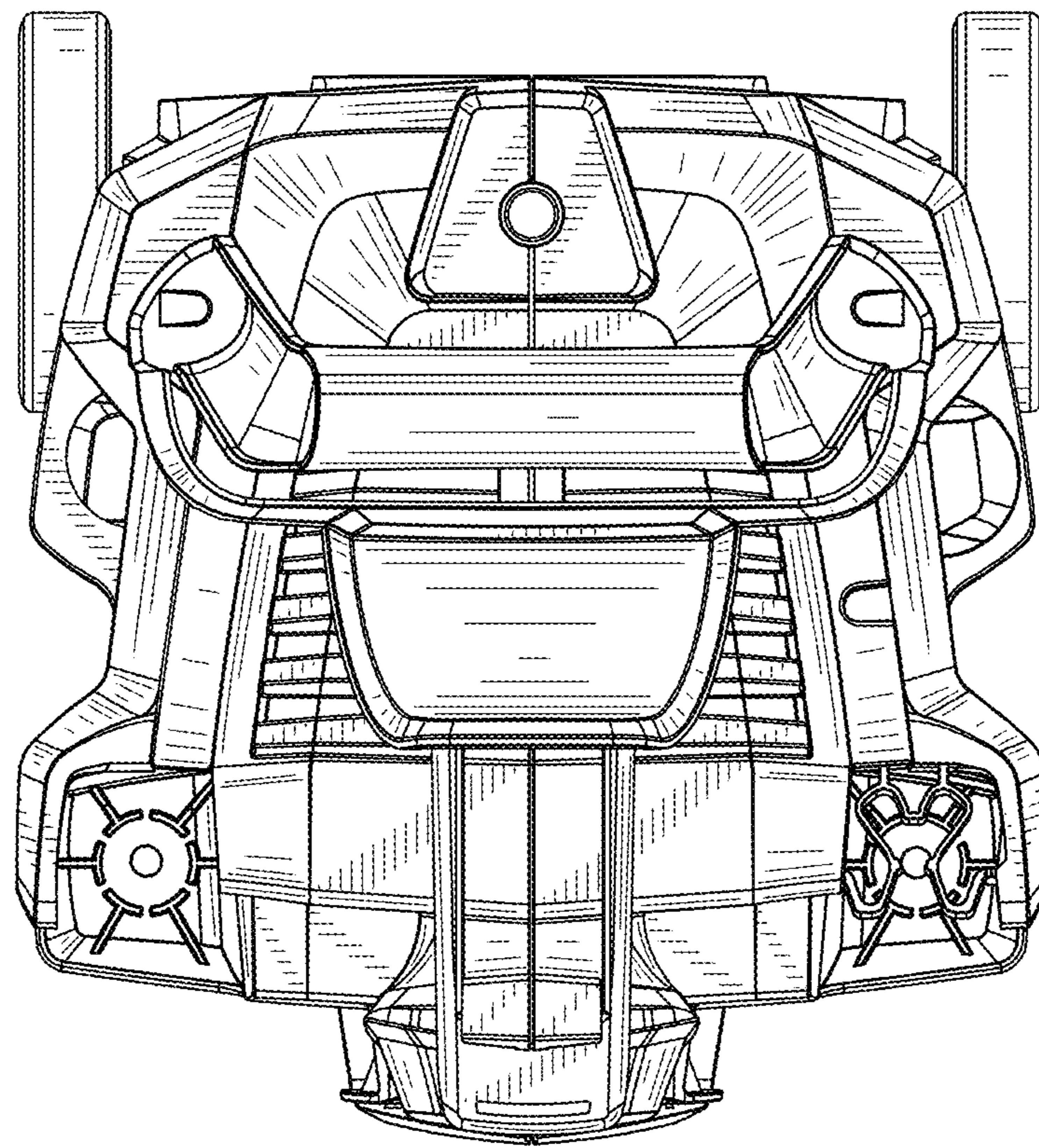


FIG. 3

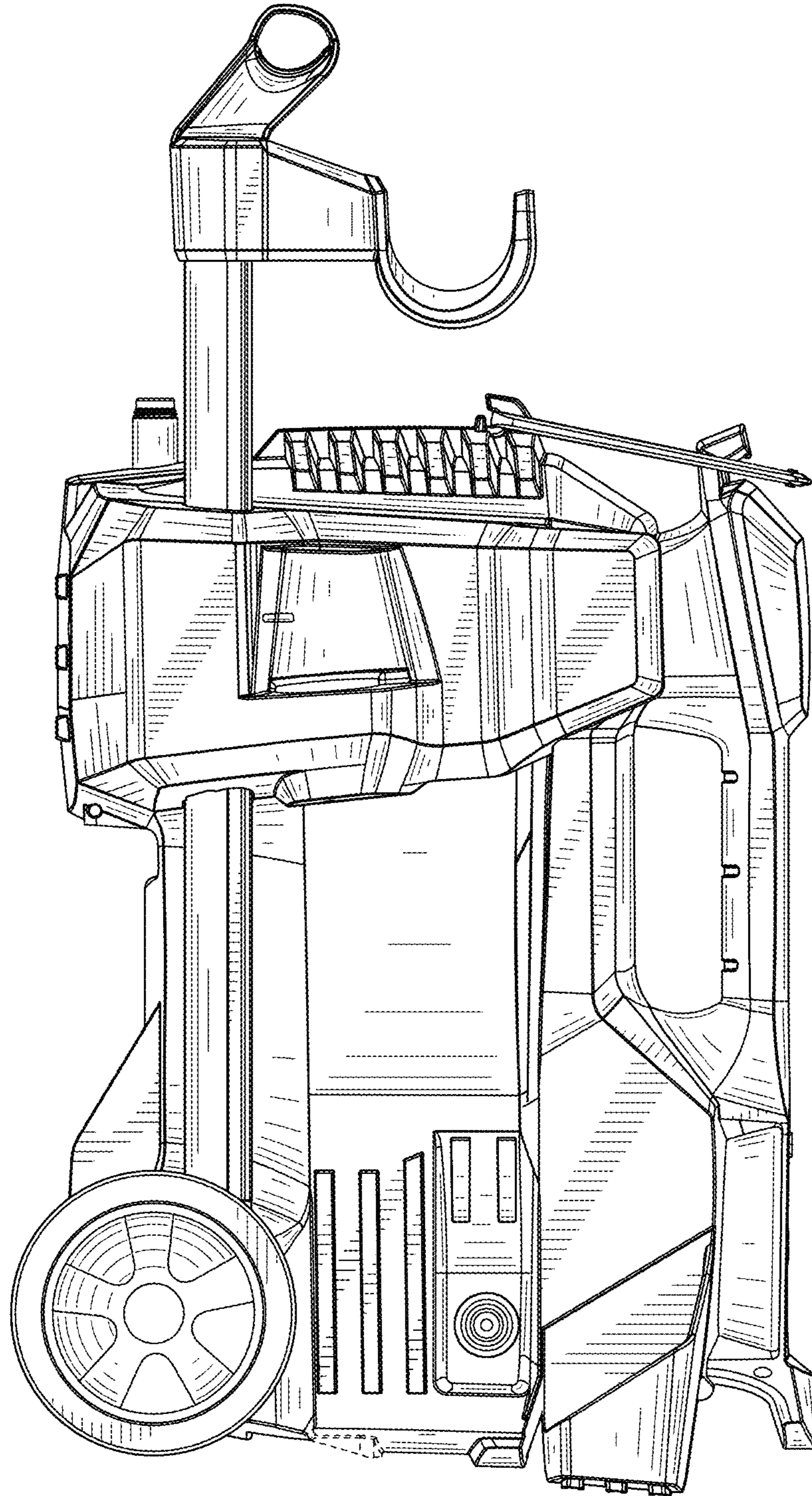


FIG. 4

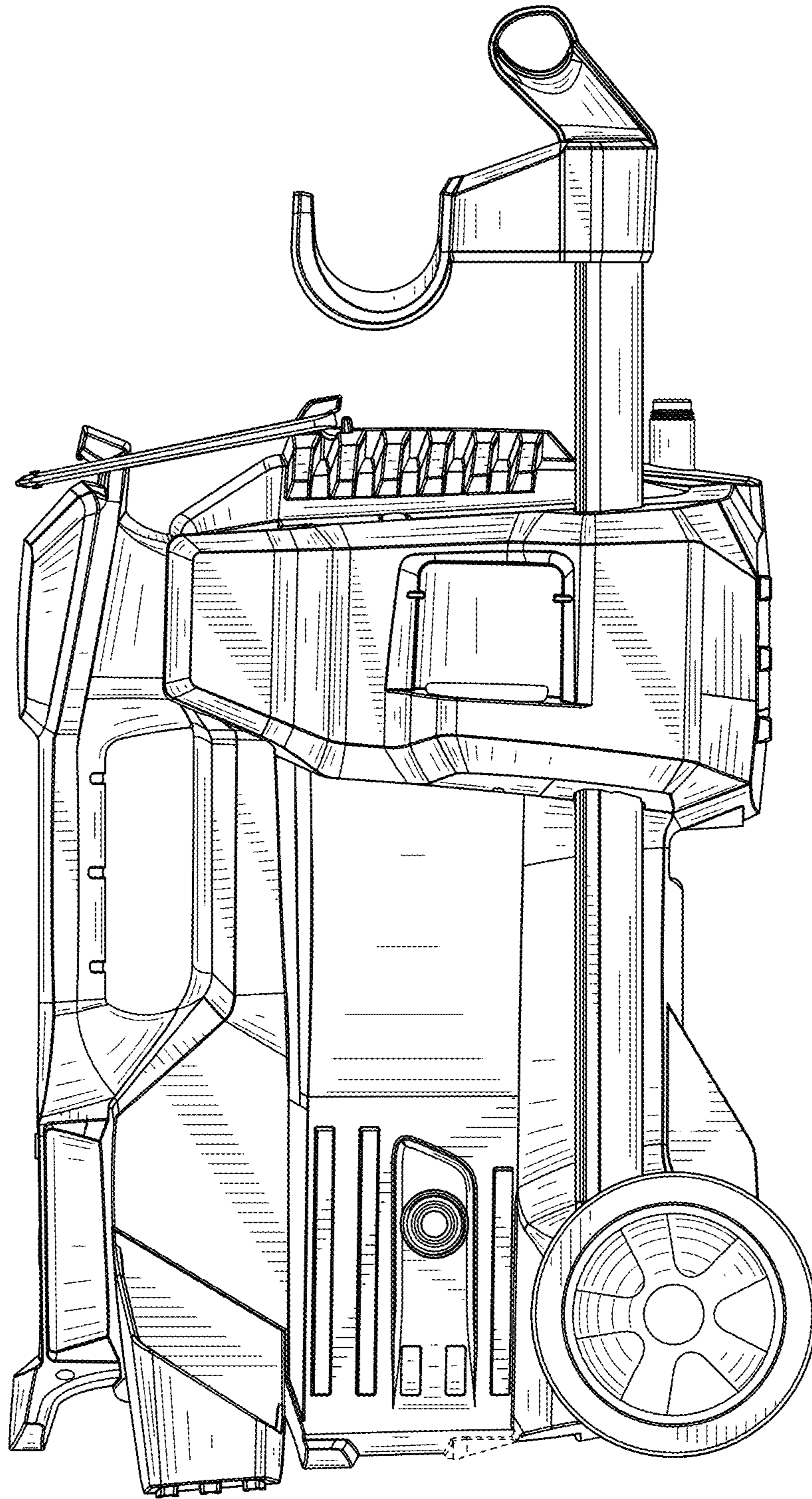


FIG. 5

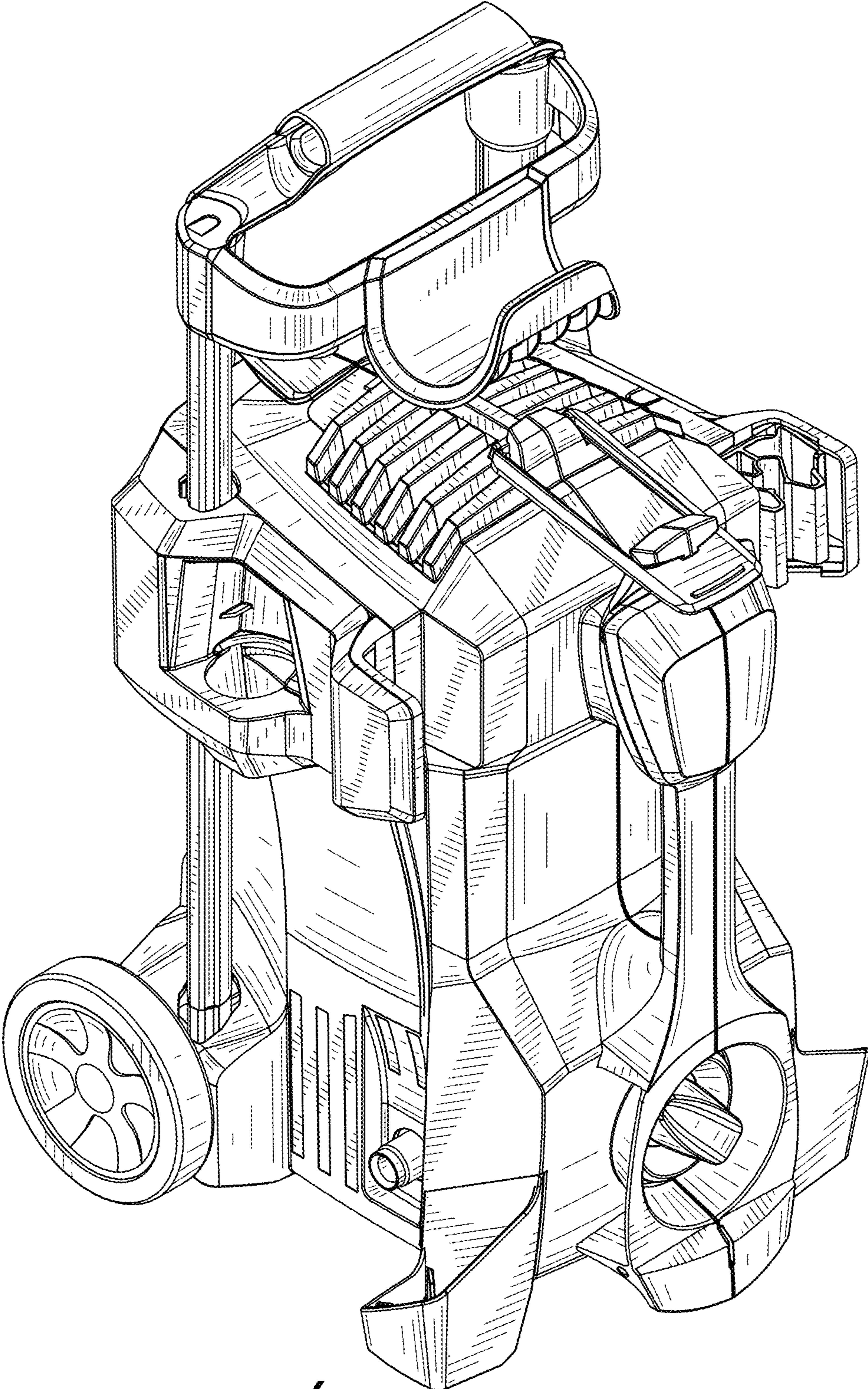


FIG. 6

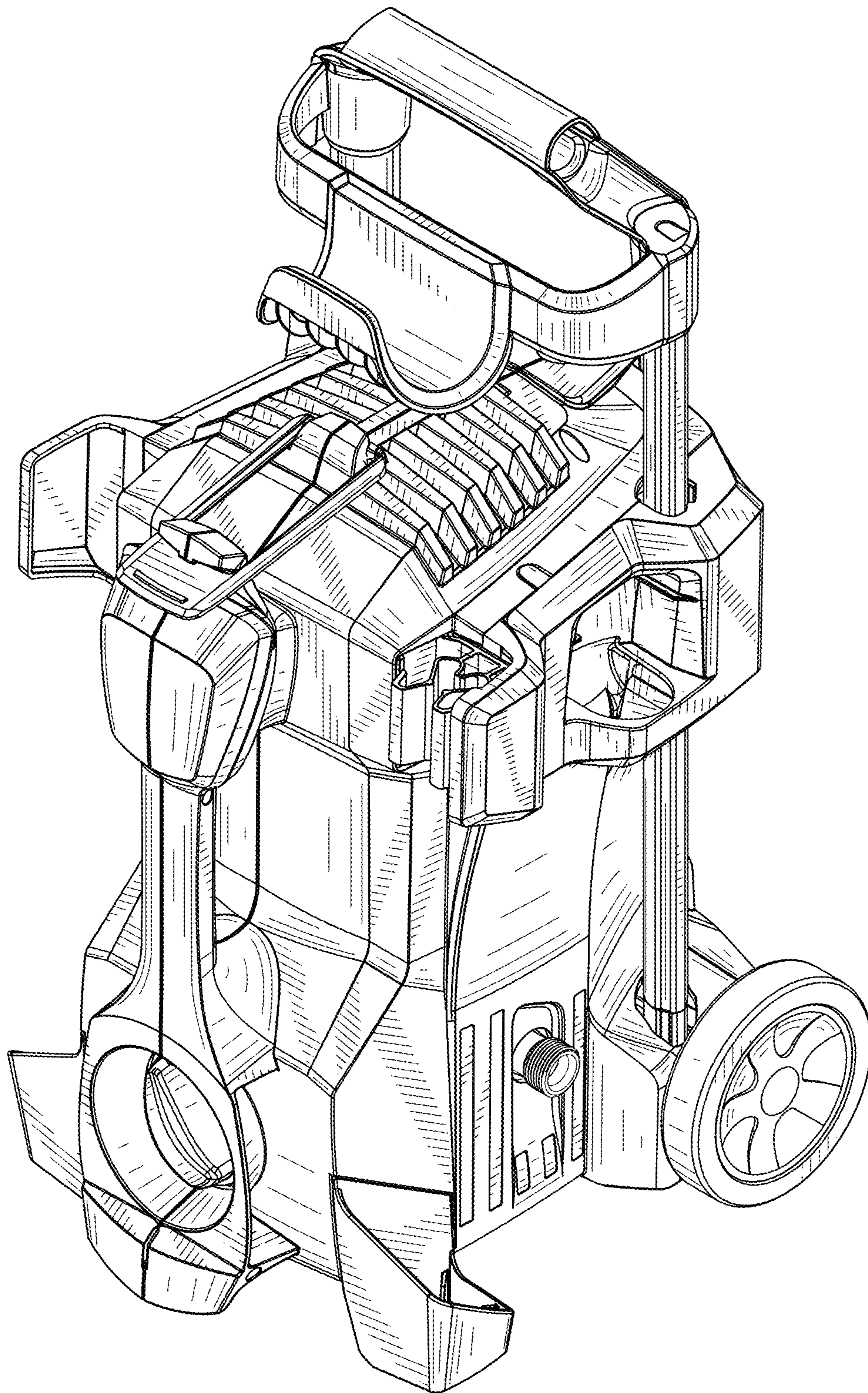


FIG. 7