



US00D737527S

(12) **United States Design Patent**
Springell et al.

(10) **Patent No.:** **US D737,527 S**

(45) **Date of Patent:** **** Aug. 25, 2015**

(54) **FLOOR CLEANING DEVICE**

(71) Applicant: **Techtronic Floor Care Technology Limited**, Tortola (VG)

(72) Inventors: **Ryan Springell**, Hertfordshire (GB);
May Wilson, Leicestershire (GB);
Samuel William Bennett, Bristol (GB);
Daniel William Carter, West Midlands (GB);
Matthew James Ward, East Yorkshire (GB)

(73) Assignee: **TECHTRONIC FLOOR CARE TECHNOLOGY LIMITED**, Tortola (VG)

(**) Term: **14 Years**

(21) Appl. No.: **29/485,835**

(22) Filed: **Mar. 24, 2014**

(30) **Foreign Application Priority Data**

Sep. 24, 2013 (CN) 2013 3 0455602

(51) **LOC (10) CL.** **15-05**

(52) **U.S. CL.**
USPC **D32/21**

(58) **Field of Classification Search**
USPC D32/21, 23-24, 31
CPC A47L 7/0038; A47L 5/36-5/367;
A47L 5/24; A47L 5/14; A47L 5/28; A47L 7/0019; A47L 7/0023; A47L 7/0004; A47L 9/1666; A47L 9/1683; A47L 11/34; A47L 11/4072; A47L 9/009; A47L 11/40
See application file for complete search history.

(56) **References Cited**

U.S. PATENT DOCUMENTS

D368,993 S 4/1996 Stutzer et al.
D394,528 S 5/1998 Pochopien et al.

D417,323 S 11/1999 Fujita et al.
D445,226 S 7/2001 Jupp
6,484,350 B2 11/2002 Yung
D476,783 S 7/2003 Kondo et al.
D493,586 S 7/2004 Choi
7,000,288 B2 2/2006 Nighy
D518,611 S 4/2006 Hare

(Continued)

FOREIGN PATENT DOCUMENTS

EP 1087688 9/2002

OTHER PUBLICATIONS

Co-pending U.S. Appl. No. 29/464,863, filed Aug. 21, 2013.

(Continued)

Primary Examiner — Ruth McInroy

(74) *Attorney, Agent, or Firm* — Michael Best & Friedrich LLP

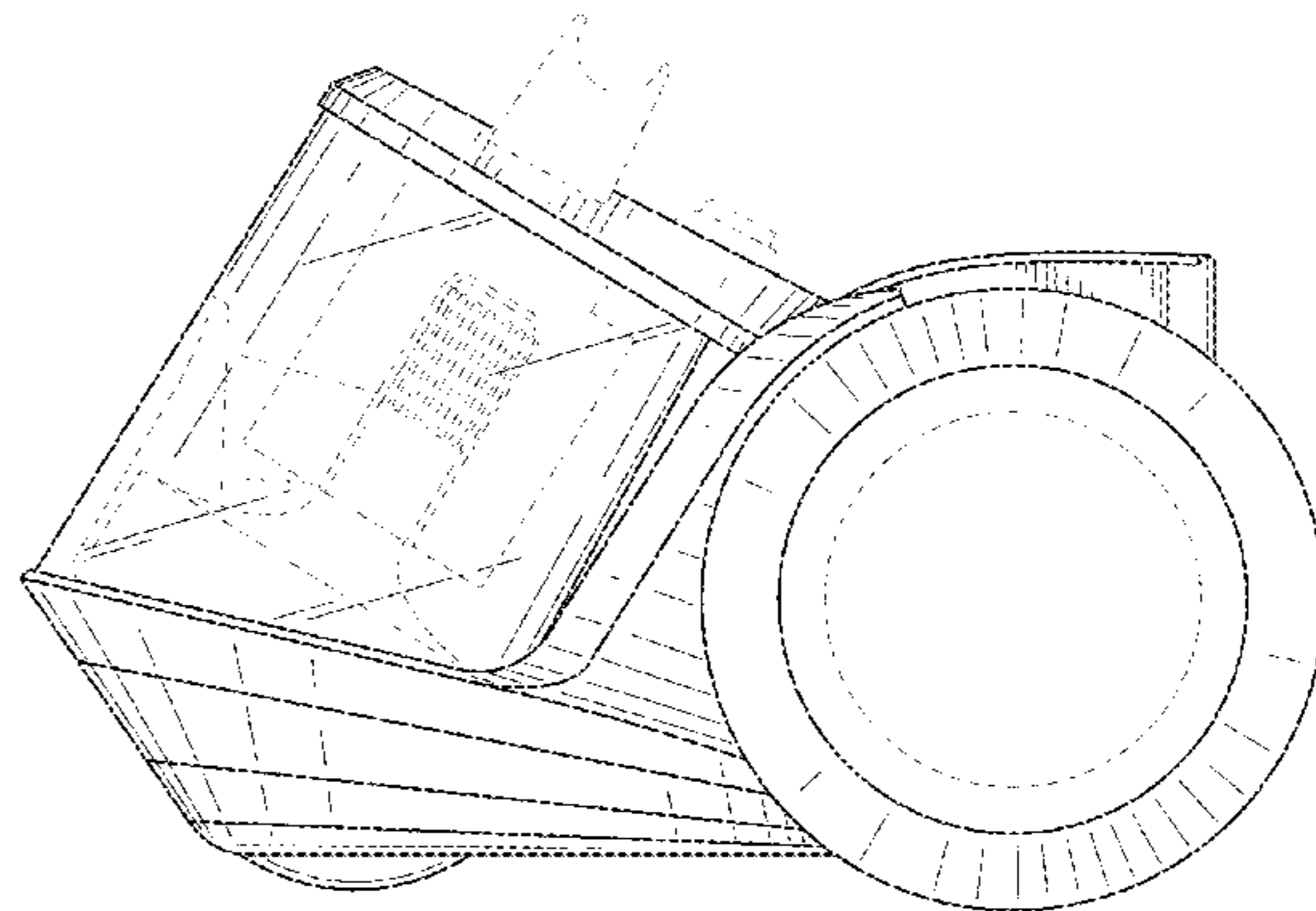
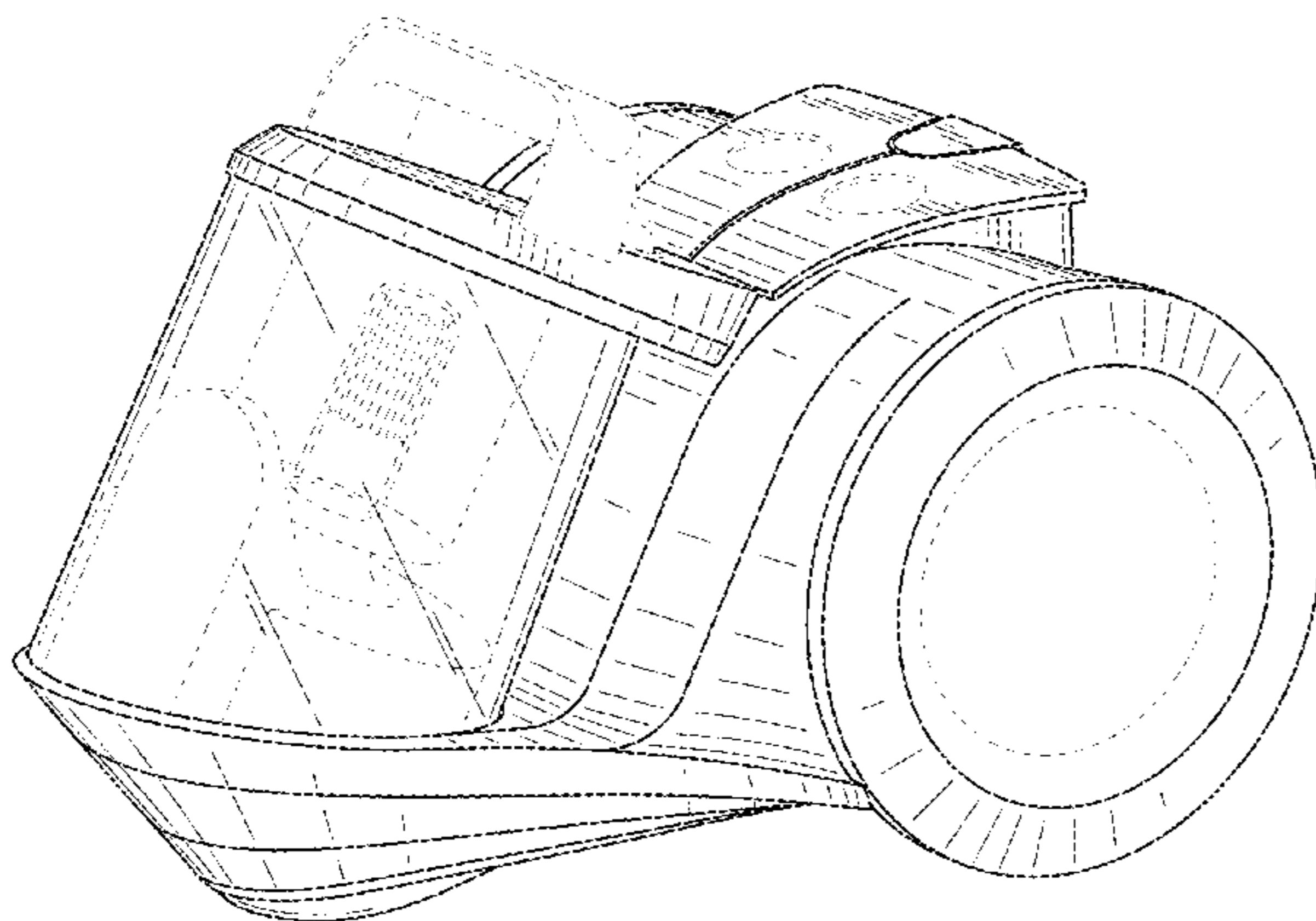
(57) **CLAIM**

We claim the ornamental design for a floor cleaning device, as shown and described.

DESCRIPTION

FIG. 1 is a perspective view of a floor cleaning device embodying the invention;
FIG. 2 is a right side view of the floor cleaning device of FIG. 1;
FIG. 3 is a left side view of the floor cleaning device of FIG. 1;
FIG. 4 is a front view of the floor cleaning device of FIG. 1;
FIG. 5 is a rear view of the floor cleaning device of FIG. 1; and,
FIG. 6 is a top view of the floor cleaning device of FIG. 1.
The elements shown in broken lines are included for the purpose of illustrating environment and form no part of the claimed design.

1 Claim, 4 Drawing Sheets



(56)

References Cited

U.S. PATENT DOCUMENTS

D534,696 S 1/2007 Choi
 D550,908 S * 9/2007 Shin D32/21
 D550,909 S * 9/2007 Shin D32/21
 D550,910 S * 9/2007 Shin D32/21
 D552,310 S * 10/2007 Shin D32/21
 D552,810 S 10/2007 Shin
 D552,811 S * 10/2007 Shin D32/21
 D553,311 S * 10/2007 Shin D32/21
 D556,400 S 11/2007 Houghton
 D559,482 S 1/2008 Jansson et al.
 7,380,308 B2 6/2008 Oh et al.
 D594,162 S 6/2009 Knox et al.
 D600,415 S 9/2009 Svantesson
 D617,963 S 6/2010 Ayers
 D626,709 S 11/2010 Fjellman
 D646,030 S * 9/2011 Carr et al. D32/21
 D646,031 S 9/2011 Carr et al.
 D646,855 S 10/2011 Kim et al.
 D653,823 S * 2/2012 Kim et al. D32/21

D657,508 S 4/2012 Dyson et al.
 D657,921 S 4/2012 Lee
 D664,316 S 7/2012 Kim
 D680,283 S 4/2013 Renault
 D682,494 S 5/2013 Kim et al.
 D702,901 S 4/2014 Fhellman
 D707,407 S 6/2014 Okabe et al.
 2002/0069476 A1 6/2002 Yung
 2013/0025086 A1 1/2013 Komae et al.

OTHER PUBLICATIONS

Co-pending U.S. Appl. No. 29/481,449, filed Feb. 6, 2014.
 Co-pending U.S. Appl. No. 29/445,677, filed Feb. 14, 2013.
 Co-pending U.S. Appl. No. 29/481,444, filed Feb. 6, 2014.
 Co-pending U.S. Appl. No. 29/481,445, filed Feb. 6, 2014.
 Co-pending U.S. Appl. No. 29/481,447, filed Feb. 6, 2014.
 Co-pending U.S. Appl. No. 29/484,231, filed Mar. 7, 2014.
 Co-pending U.S. Appl. No. 29/484,232, filed Mar. 7, 2014.
 Co-pending U.S. Appl. No. 29/485,842, filed Mar. 24, 2014.
 Co-pending U.S. Appl. No. 29/471,498, filed Nov. 1, 2013.

* cited by examiner

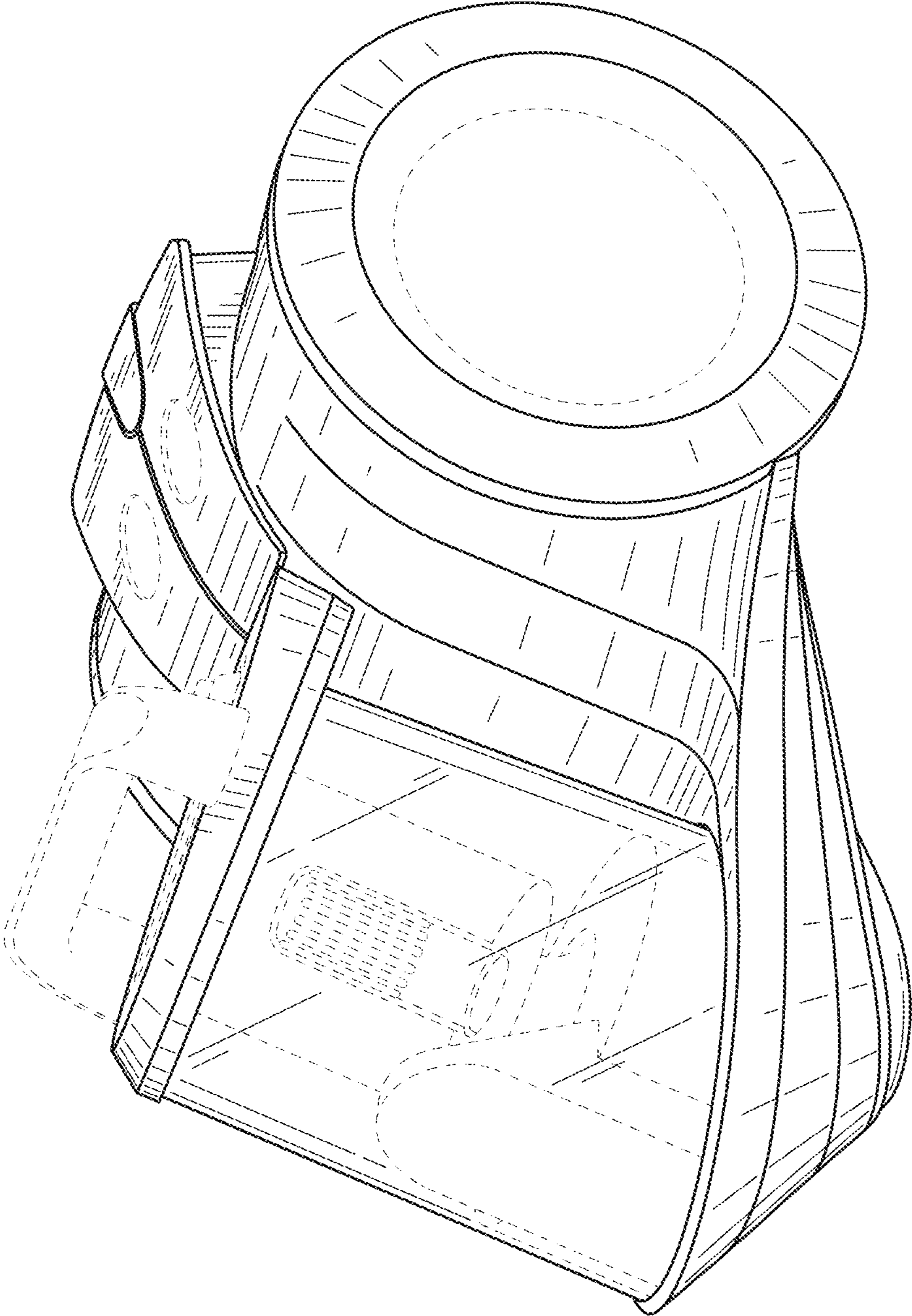


FIG. 1

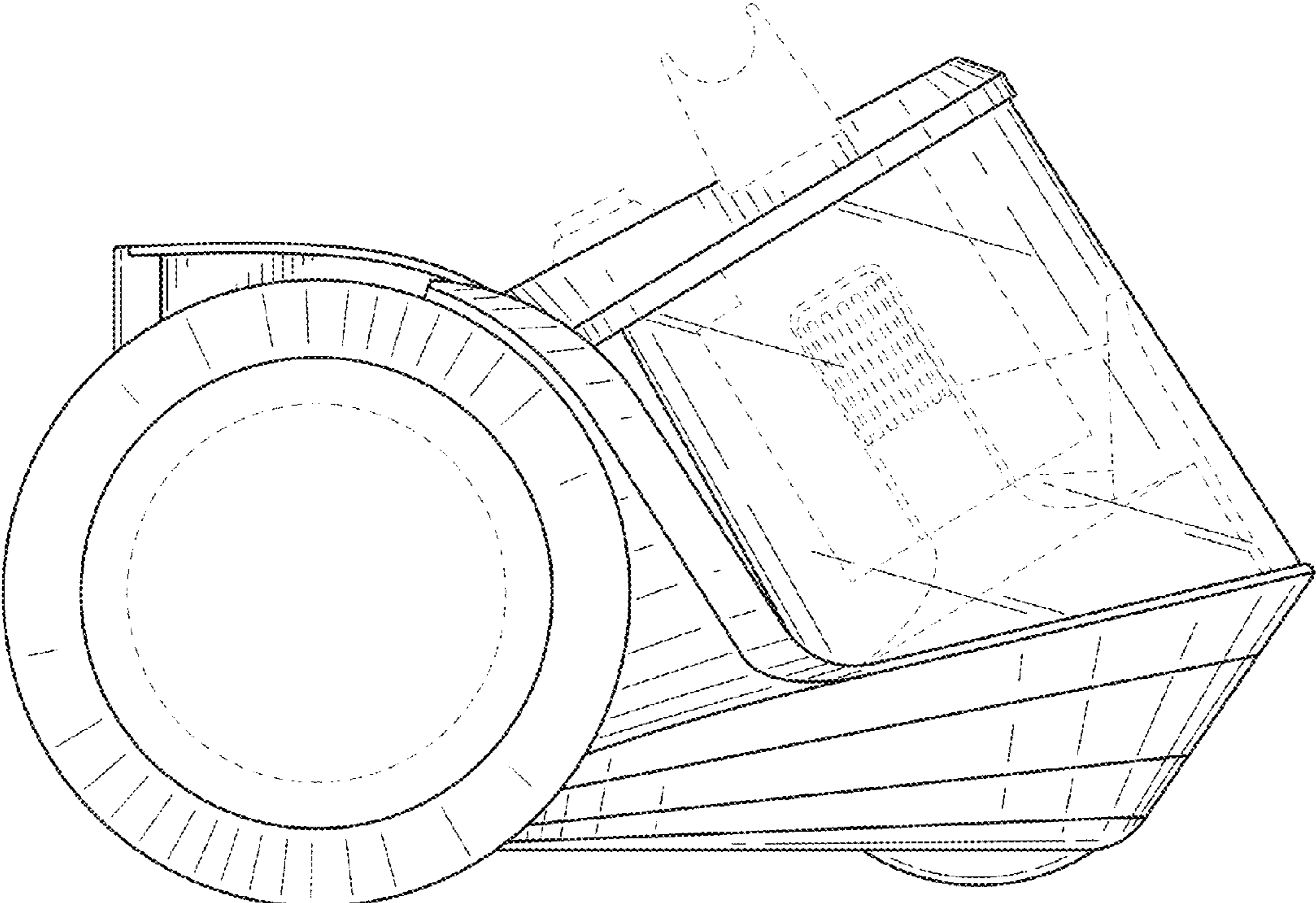


FIG. 2

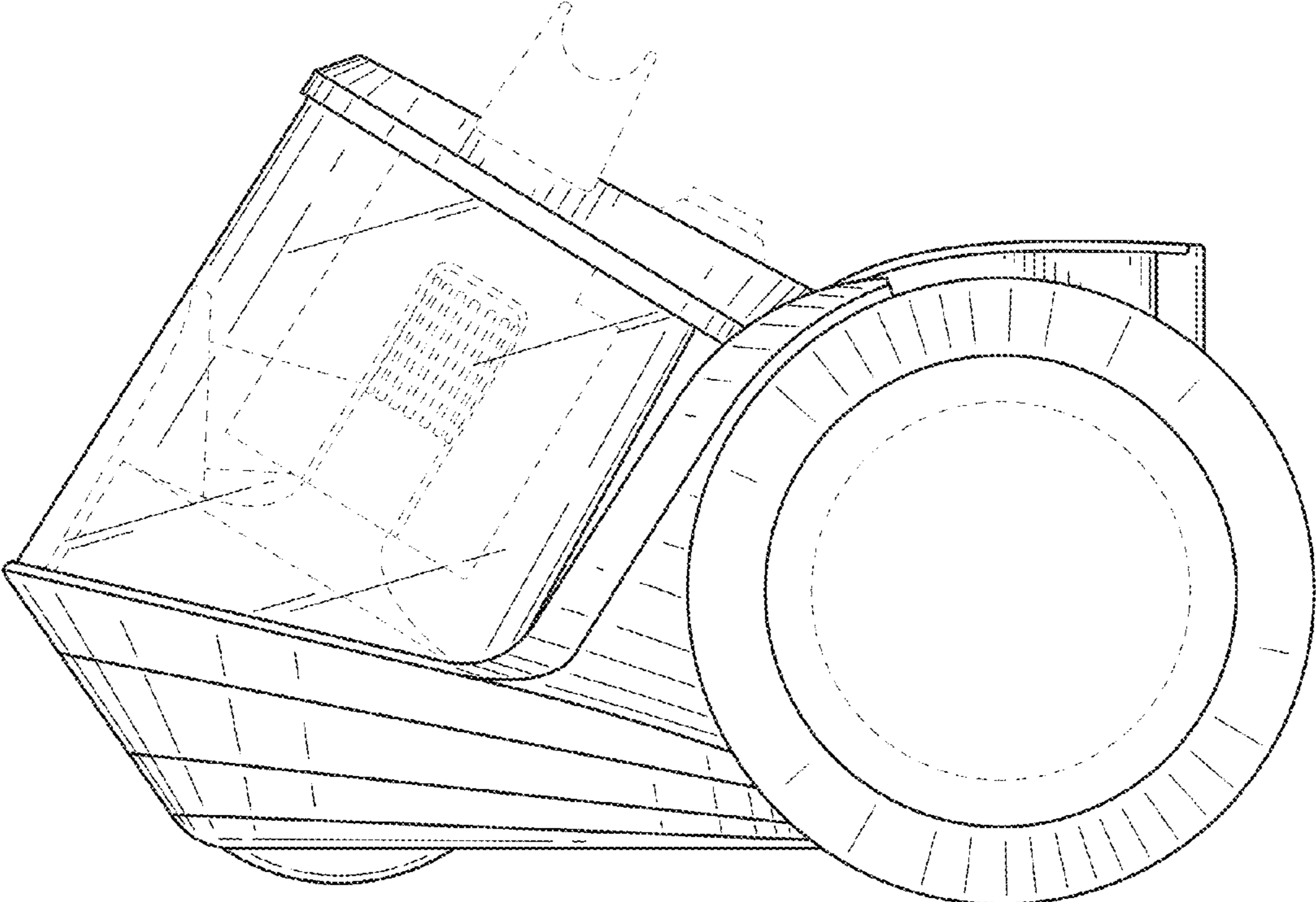


FIG. 3

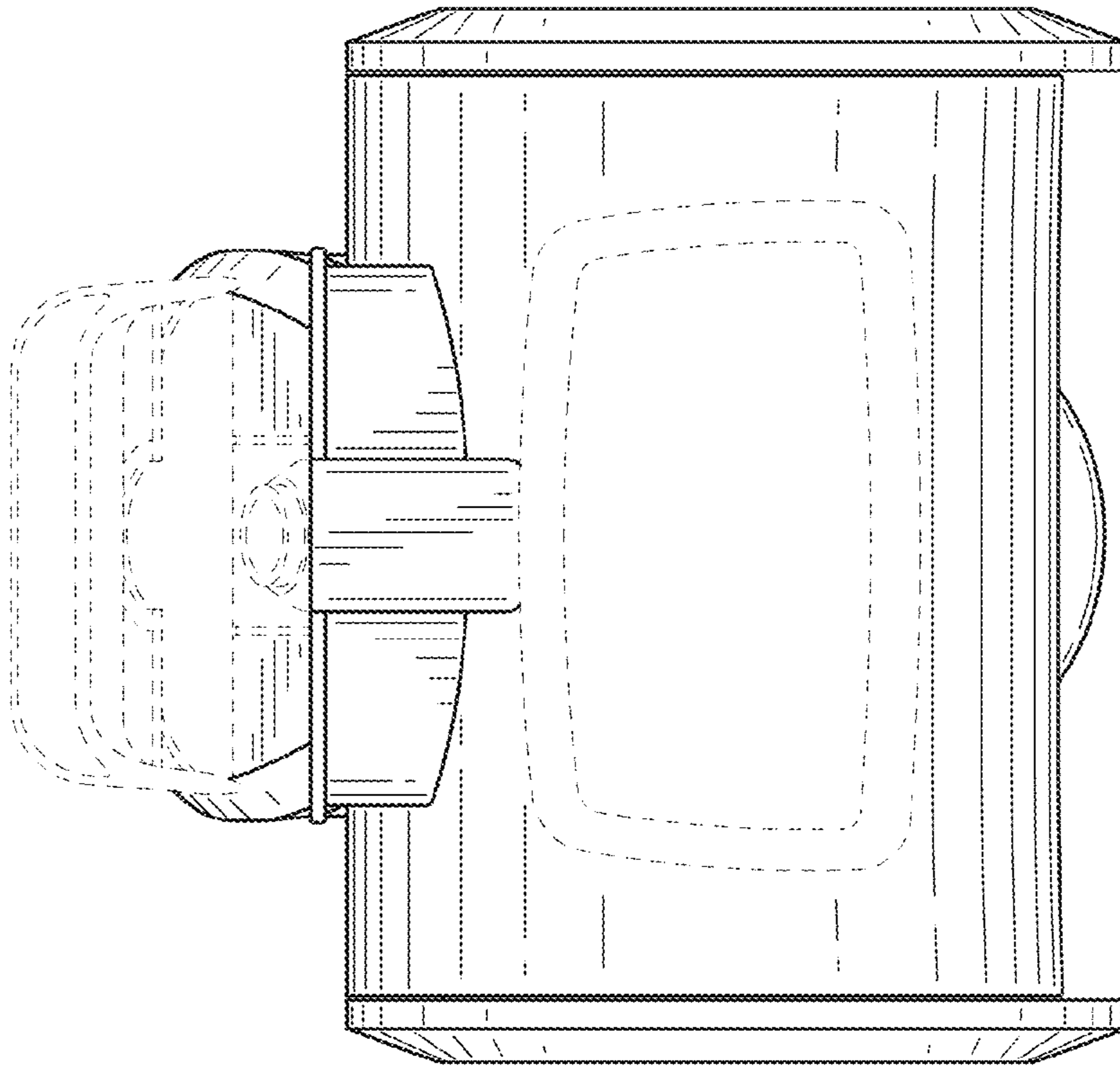


FIG. 5

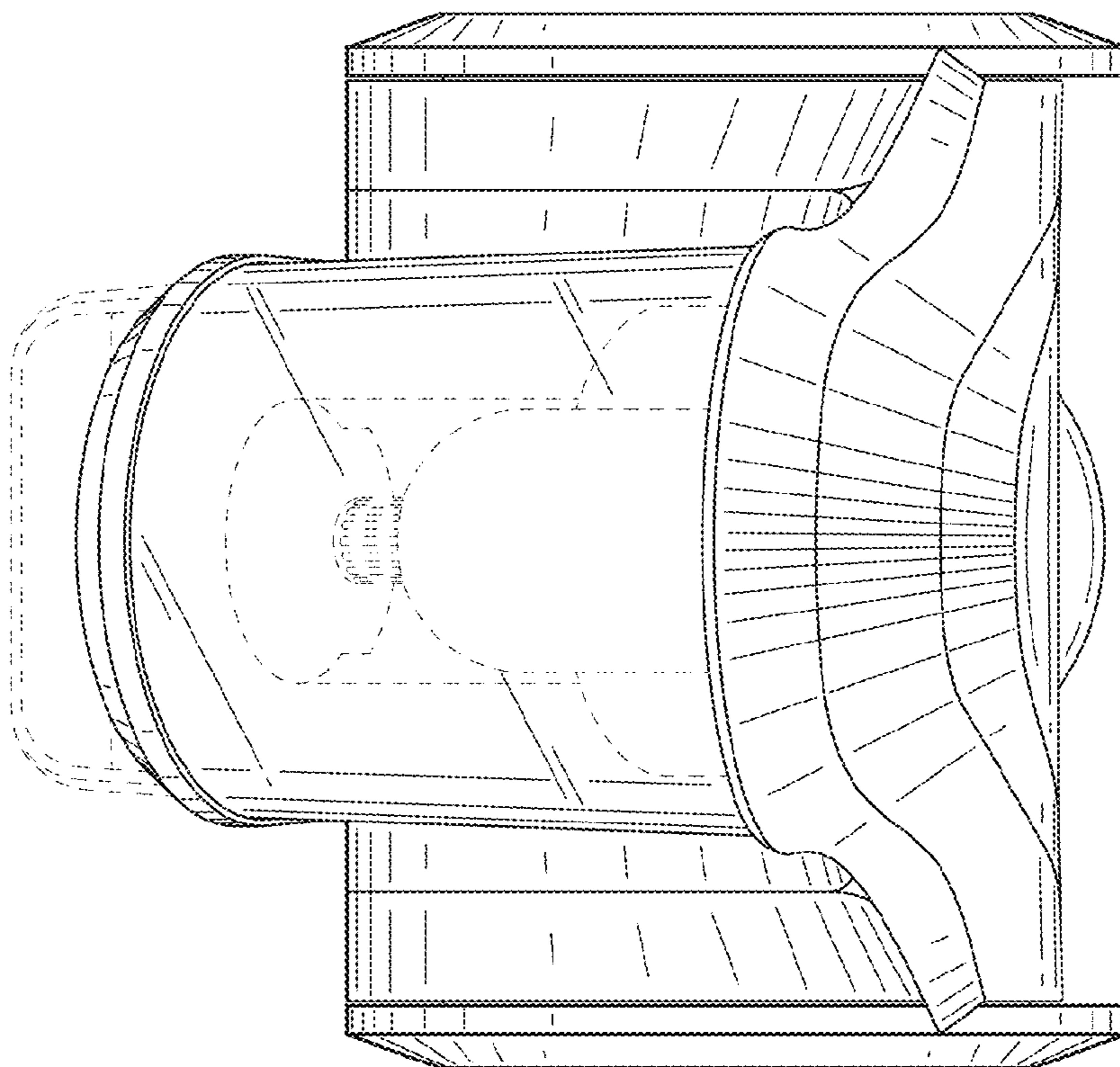


FIG. 4

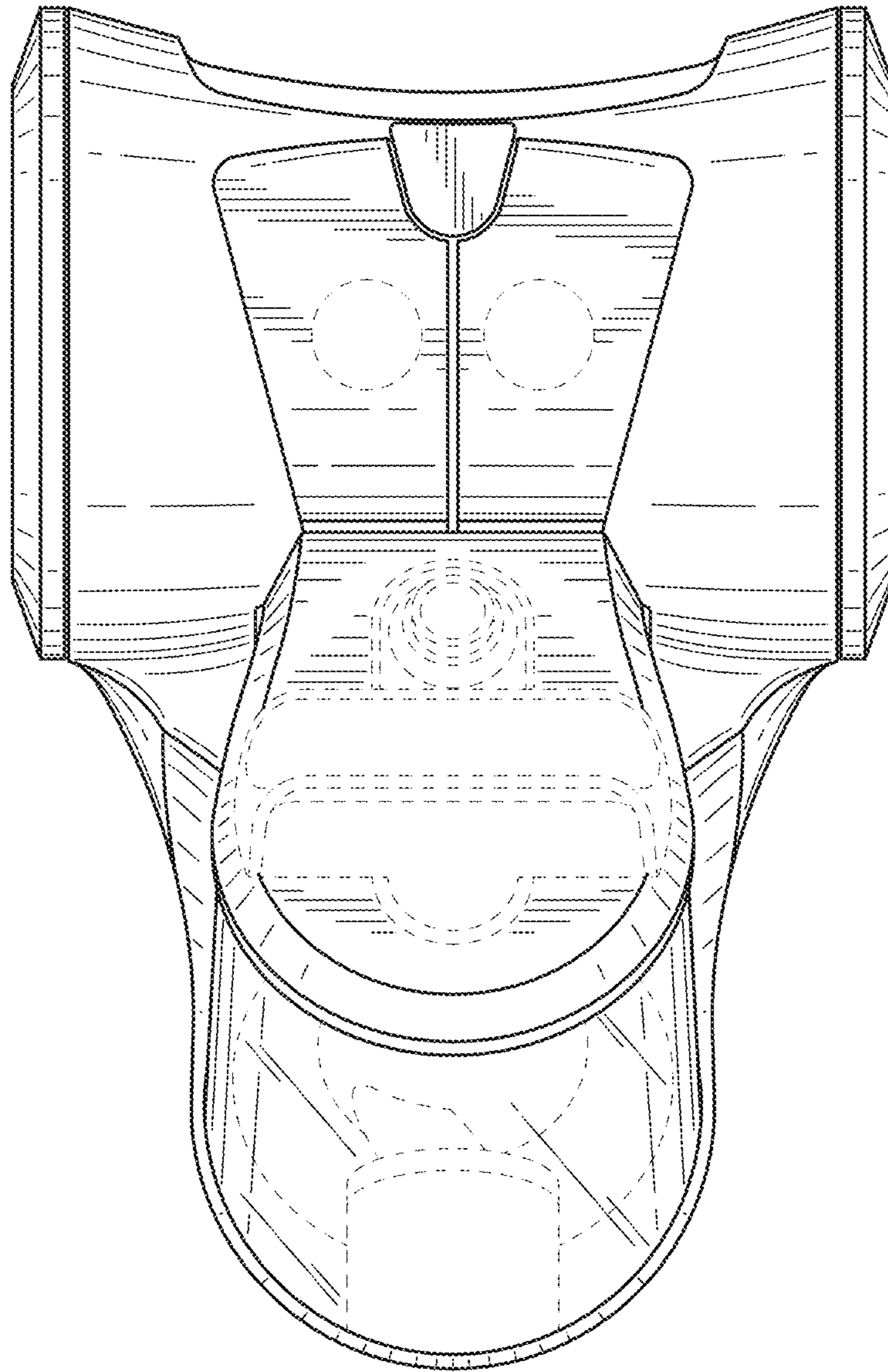


FIG. 6