



US00D737511S

(12) **United States Design Patent**
Lettenberger et al.

(10) **Patent No.:** **US D737,511 S**
(45) **Date of Patent:** **** Aug. 25, 2015**

(54) **RAZOR CARTRIDGE CONNECTING MEMBER**

(71) Applicant: **The Gillette Company**, Boston, MA (US)

(72) Inventors: **Neil Lettenberger**, Boston, MA (US); **Alexander Stephen Forti**, Dedham, MA (US); **Jessy Lee Cusack**, Newton, MA (US); **Christopher Ramm**, North Attleboro, MA (US)

(73) Assignee: **The Gillette Company**, Boston, MA (US)

(**) Term: **14 Years**

(21) Appl. No.: **29/465,290**

(22) Filed: **Aug. 26, 2013**

(51) **LOC (10) Cl.** **28-03**

(52) **U.S. Cl.**
USPC **D28/47**

(58) **Field of Classification Search**
USPC D28/44–48
CPC B26B 21/00–21/12; B26B 21/14; B26B 21/16; B26B 21/18; B26B 21/20–21/227; B26B 21/4062; B26B 21/4068; B26B 21/4075; B26B 21/52–21/528
See application file for complete search history.

(56) **References Cited**

U.S. PATENT DOCUMENTS

D422,751 S * 4/2000 Gray D28/47
6,243,951 B1 * 6/2001 Oldroyd 30/34.2
D514,253 S * 1/2006 Gray D28/47

D575,454 S * 8/2008 Keene et al. D28/47
D603,097 S 10/2009 Cataudella
D629,564 S * 12/2010 Jung D28/47
D631,198 S * 1/2011 Adams et al. D28/47
D633,253 S * 2/2011 Wonderley et al. D28/47
D643,977 S * 8/2011 Wonderley et al. D28/47
D648,075 S * 11/2011 Wonderley et al. D28/47
D661,020 S * 5/2012 Wain et al. D28/46
2008/0172878 A1 * 7/2008 Luxton 30/34.1
2010/0122464 A1 * 5/2010 Ndou et al. 30/41
2011/0203113 A1 * 8/2011 Wang 30/41
2012/0159787 A1 * 6/2012 Luxton 30/50
2012/0279070 A1 * 11/2012 Seo 30/34.2

* cited by examiner

Primary Examiner — Jennifer Rivard

(74) *Attorney, Agent, or Firm* — Joanne N. Pappas; Kevin C. Johnson; Steven W. Miller

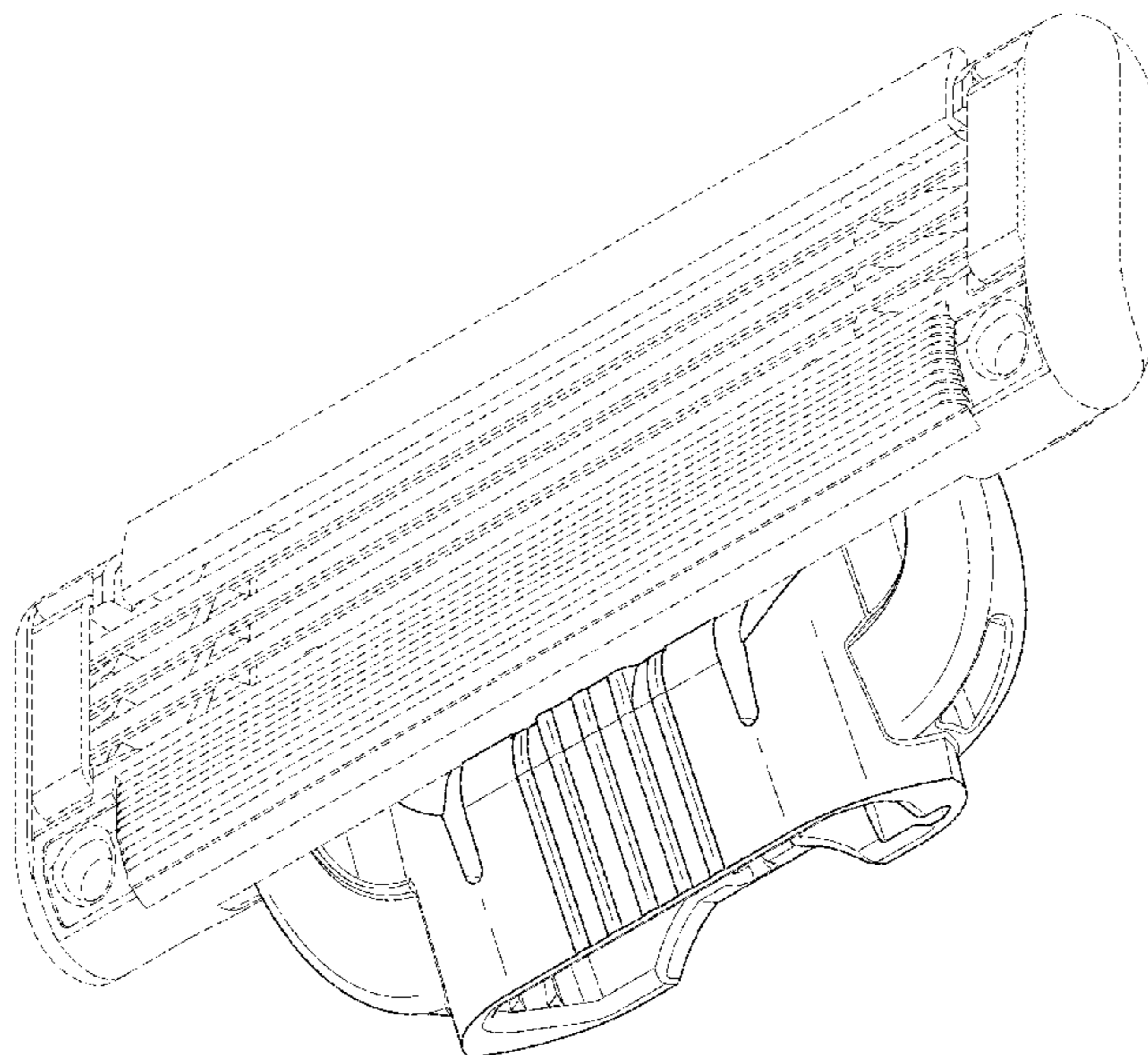
(57) **CLAIM**

The ornamental design for a razor cartridge connecting member, as shown and described.

DESCRIPTION

FIG. 1 is a perspective view of a design for a razor cartridge connecting member;
FIG. 2 is a front view thereof;
FIG. 3 is a back view thereof;
FIG. 4 is a top view thereof;
FIG. 5 is a bottom view thereof;
FIG. 6 is a left side view thereof;
FIG. 7 is a right side view thereof; and,
FIG. 8 is another perspective view thereof.
The dash broken lines are directed to the environment and are for illustrative purposes only and form no part of the claimed design.

1 Claim, 6 Drawing Sheets



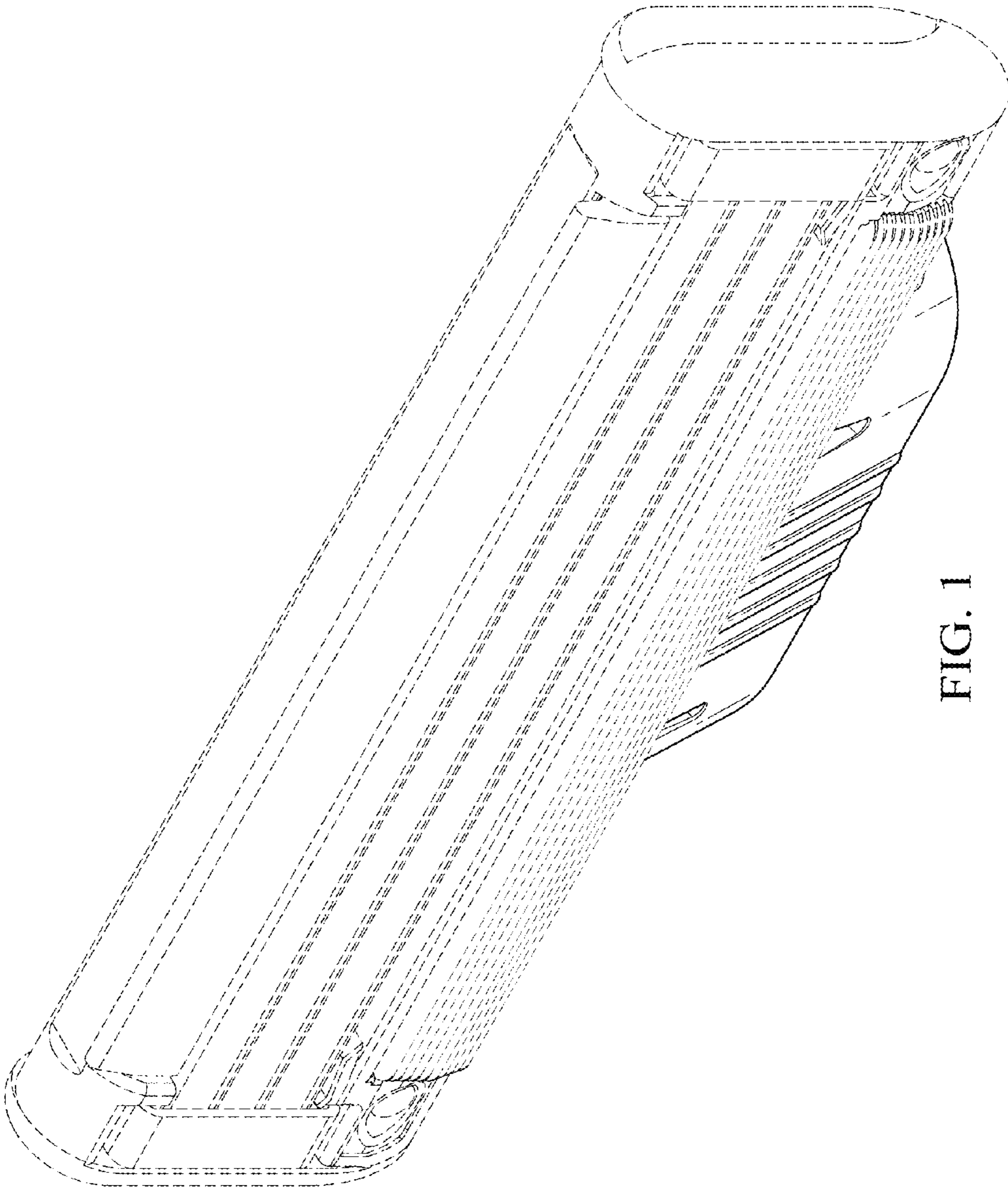


FIG. 1

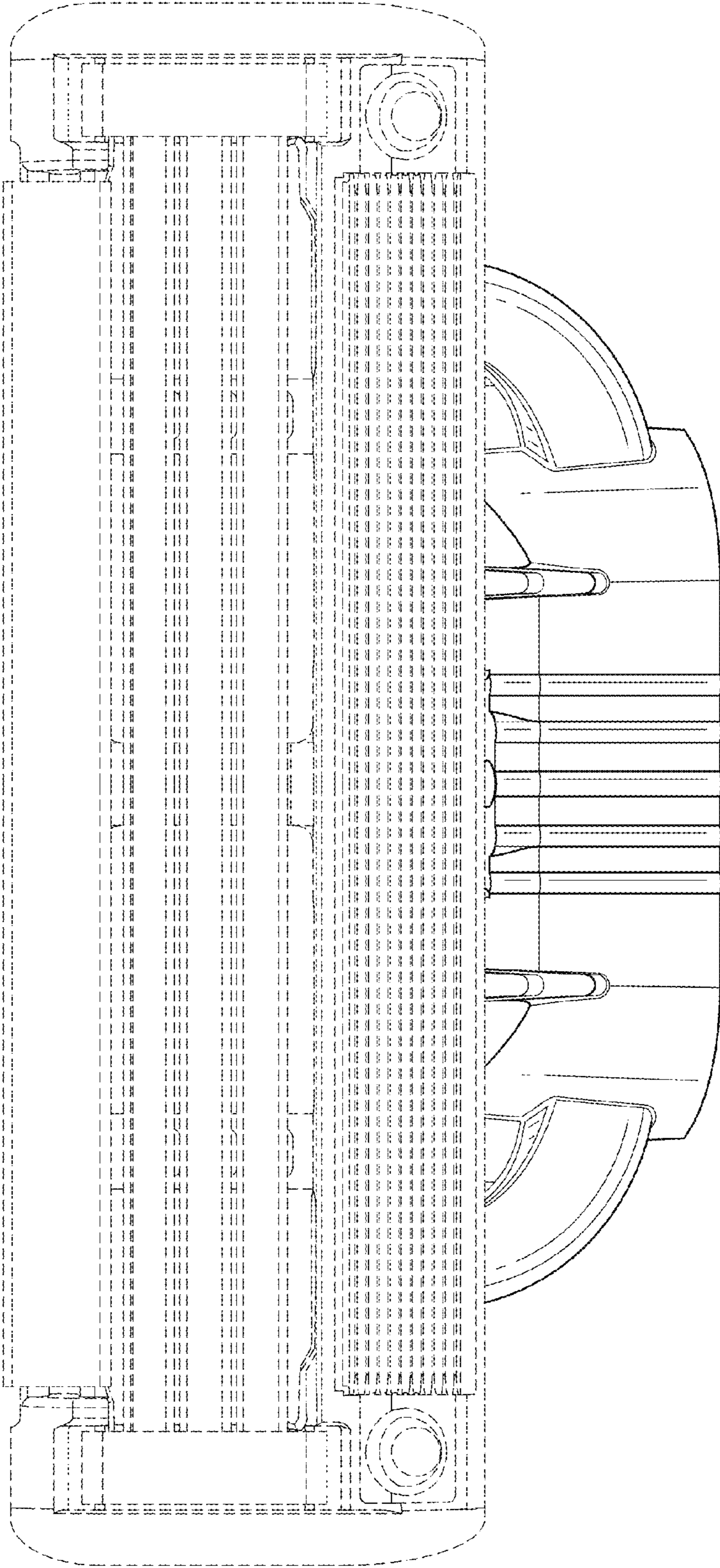


FIG. 2

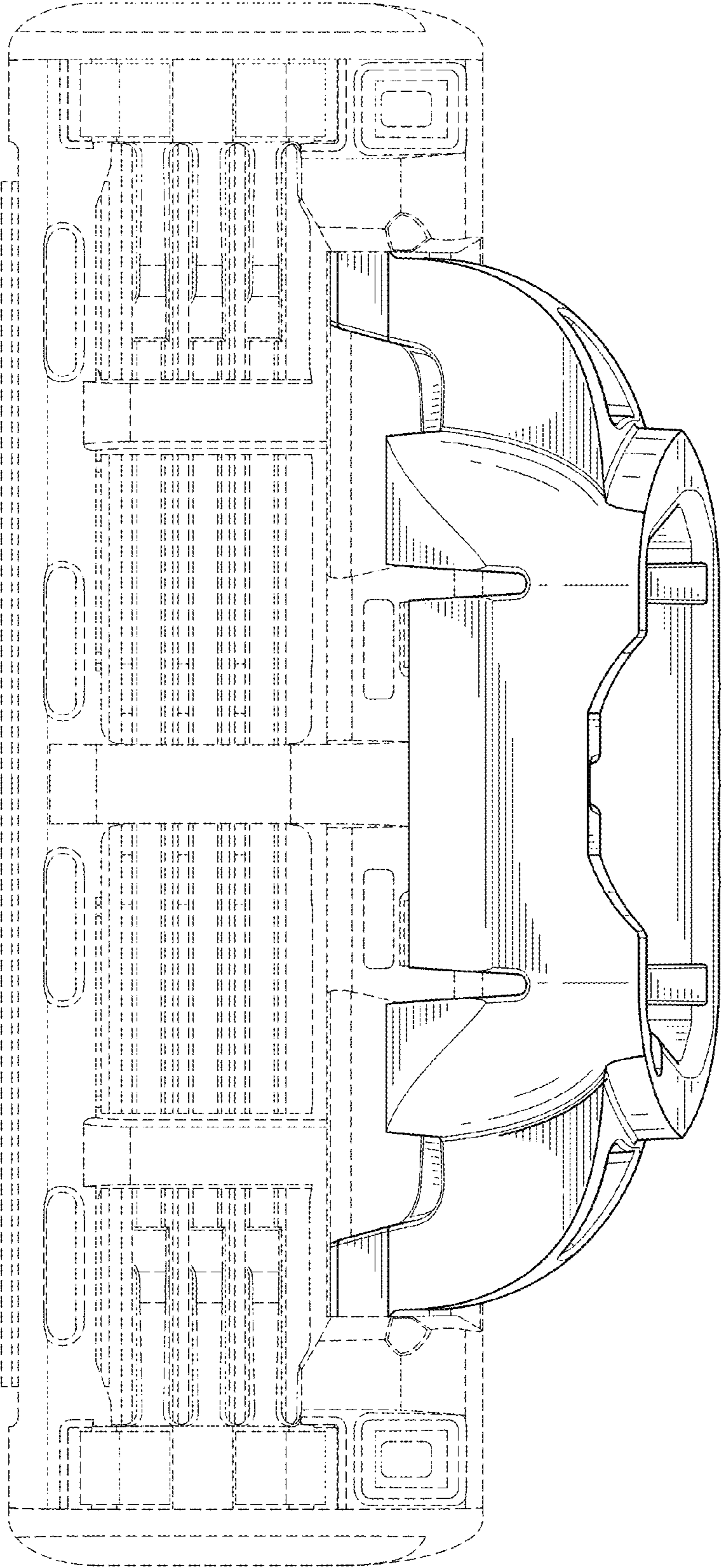


FIG. 3

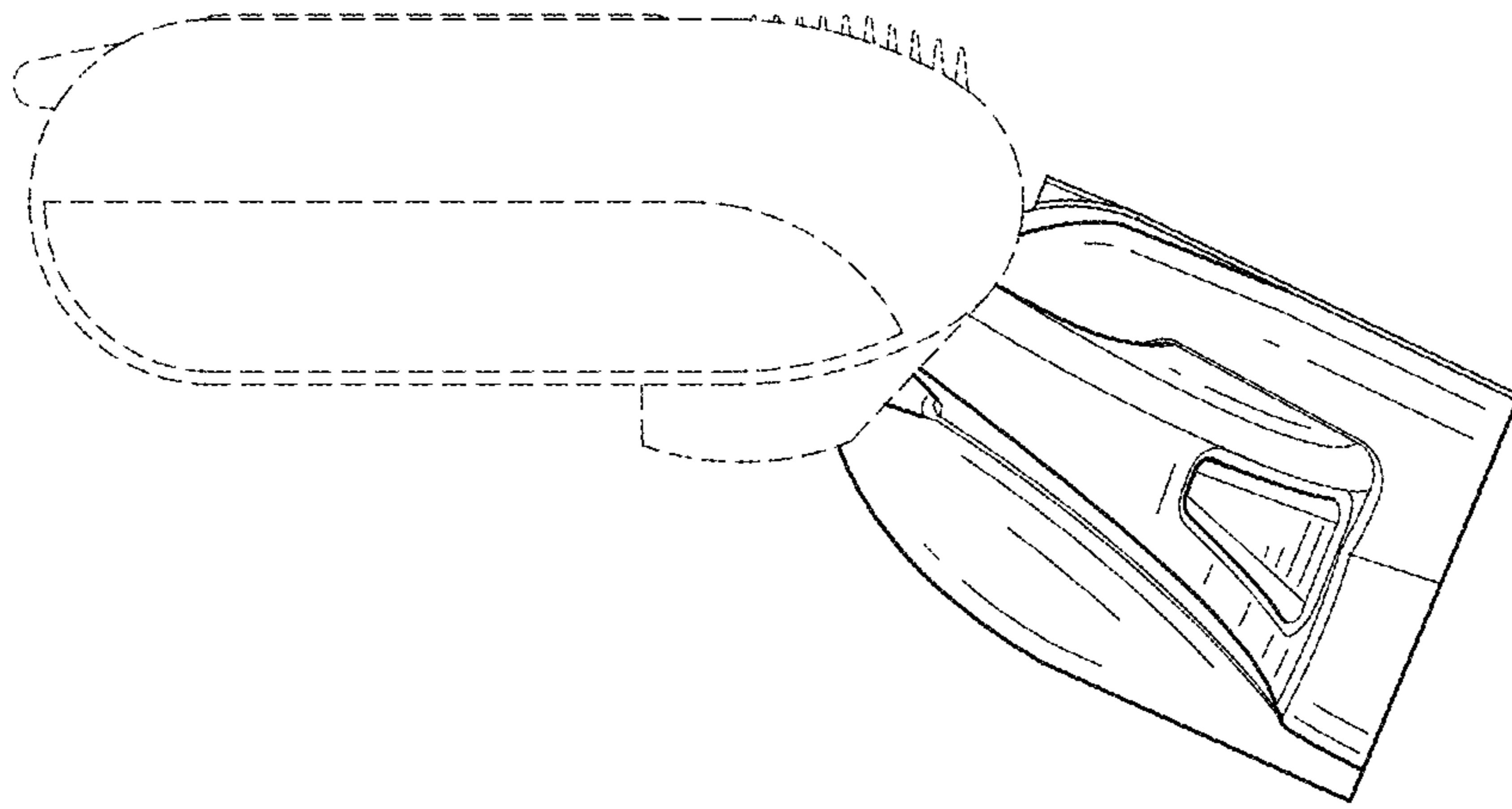


FIG. 5

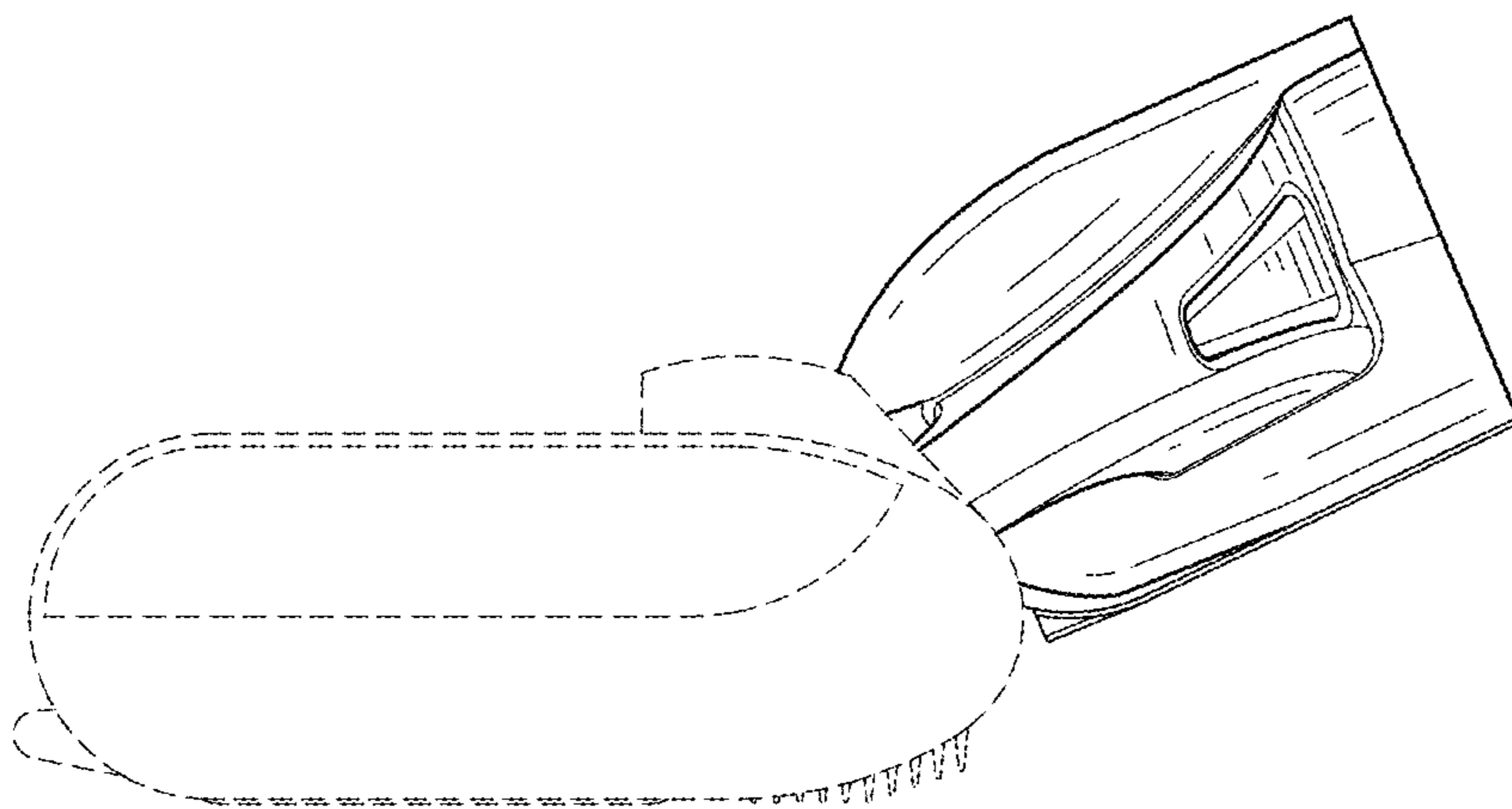


FIG. 4

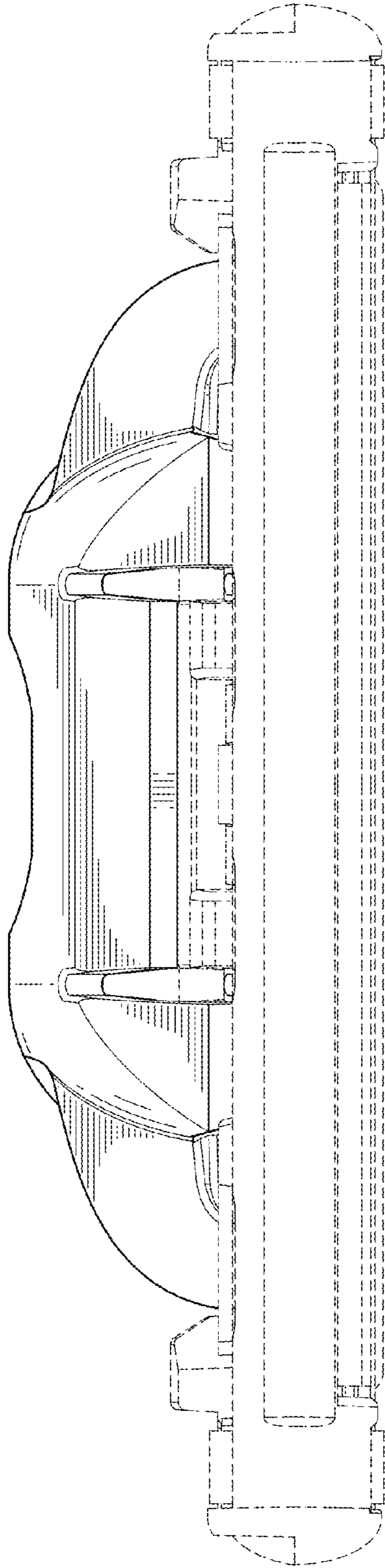


FIG. 6

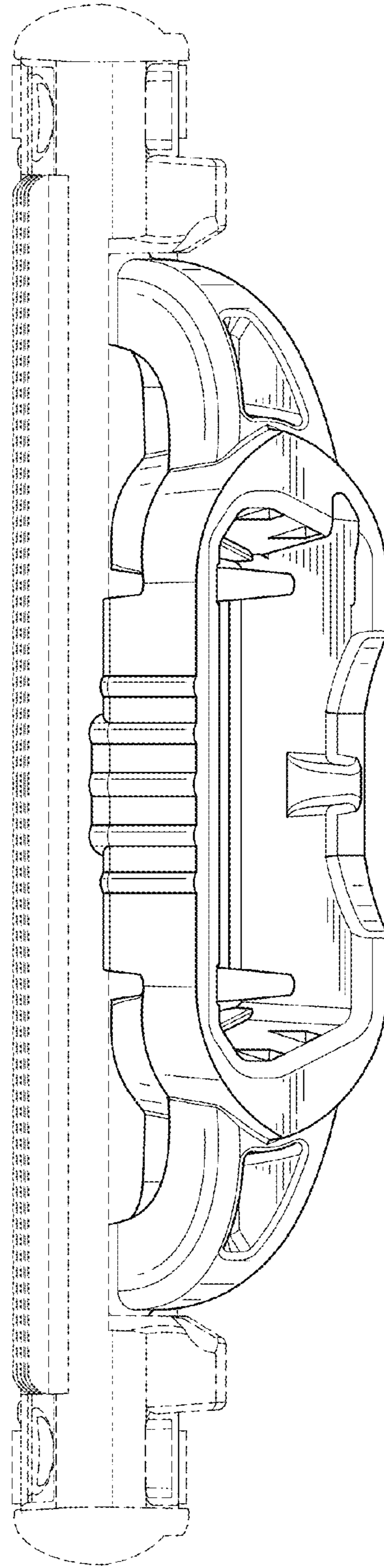


FIG. 7

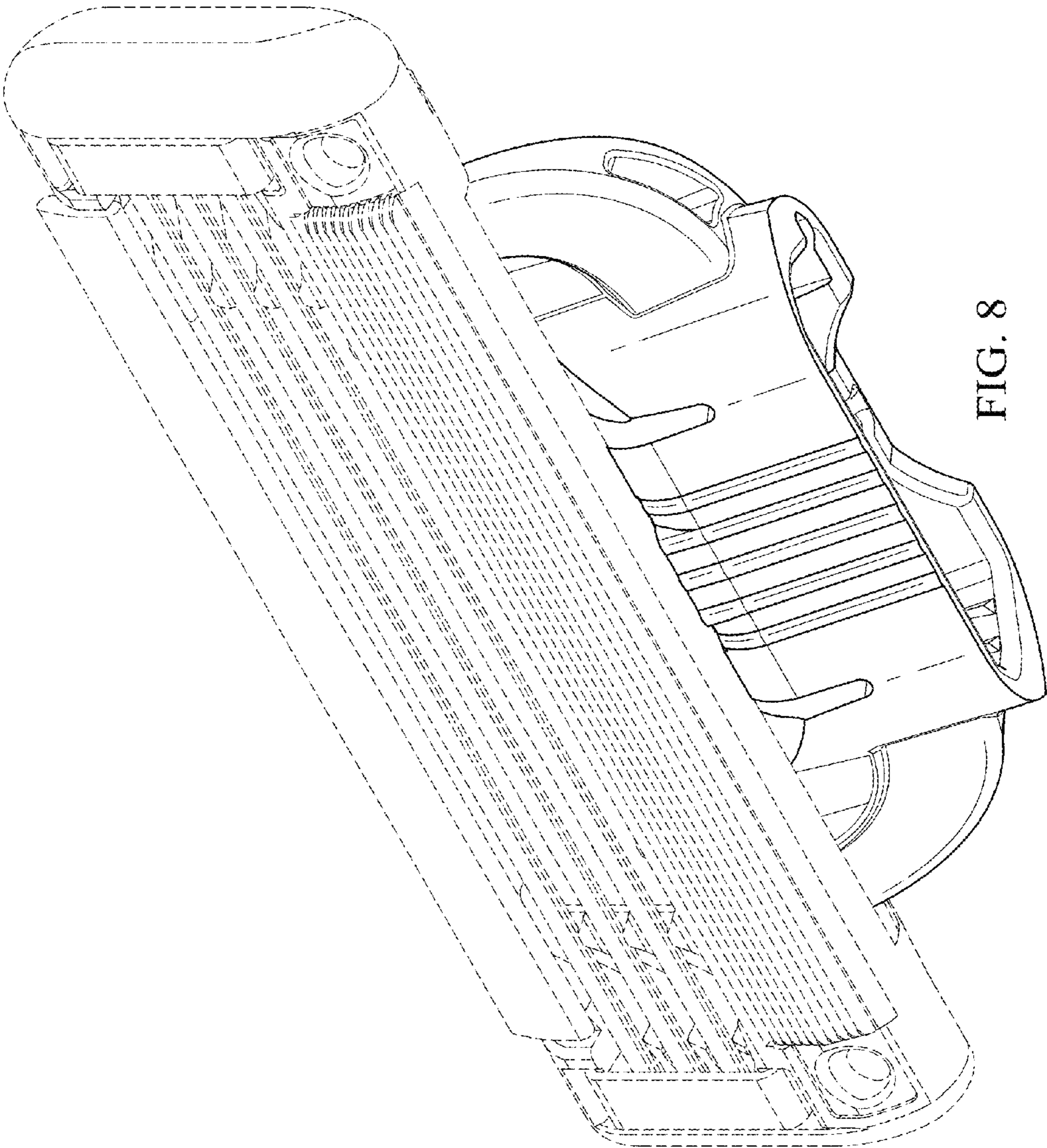


FIG. 8