



US00D737509S

(12) **United States Design Patent**  
**Now**

(10) **Patent No.:** **US D737,509 S**

(45) **Date of Patent:** **\*\* Aug. 25, 2015**

(54) **TRAY FOR ROLLING CIGARETTES**

(71) Applicant: **Leo Now**, South San Francisco, CA (US)

(72) Inventor: **Leo Now**, South San Francisco, CA (US)

(\*\*) Term: **14 Years**

(21) Appl. No.: **29/462,056**

(22) Filed: **Jul. 30, 2013**

(51) **LOC (10) CI.** ..... **27-99**

(52) **U.S. CI.**  
USPC ..... **D27/194**

(58) **Field of Classification Search**  
USPC ..... D27/102, 103, 171, 183-185, 194;  
D7/549, 550.1, 553.1, 553.2, 554.3;  
206/271; 131/27.1, 28, 58, 105, 329;  
D3/304, 313

CPC ..... A24F 17/00; A24F 23/04  
See application file for complete search history.

(56) **References Cited**

**U.S. PATENT DOCUMENTS**

367,036	A *	7/1887	Gardiner	.....	131/58
D117,898	S *	12/1939	Carawan	.....	D28/20
D250,280	S *	11/1978	Waldman	.....	D7/679
D254,944	S *	5/1980	Lee et al.	.....	D3/313
D257,066	S *	9/1980	Lord et al.	.....	D99/99
D273,237	S *	3/1984	Tippett	.....	D27/194

D275,897	S *	10/1984	Schutze et al.	.....	D27/194
D296,748	S *	7/1988	Pomroy	.....	D7/549
D357,765	S *	4/1995	Roden	.....	D27/106
D396,953	S *	8/1998	Iversen et al.	.....	D3/310
D405,611	S *	2/1999	Hawkins et al.	.....	D3/313
5,927,488	A *	7/1999	Gray	.....	206/237
D510,481	S *	10/2005	Hodgson	.....	D3/304
D547,490	S *	7/2007	Simester	.....	D27/194
2006/0237026	A1 *	10/2006	Simester	.....	131/329

\* cited by examiner

*Primary Examiner* — Susan Bennett Hattan

*Assistant Examiner* — Janice Hallmark

(74) *Attorney, Agent, or Firm* — QuickPatents; Kevin Prince

(57) **CLAIM**

I claim the ornamental design for a tray for rolling cigarettes, as shown and described.

**DESCRIPTION**

FIG. 1 is a top perspective view of a tray for rolling cigarettes, showing my new design;

FIG. 2 is a bottom perspective view thereof;

FIG. 3 is a right-side elevational view thereof;

FIG. 4 is a left-side elevational view thereof;

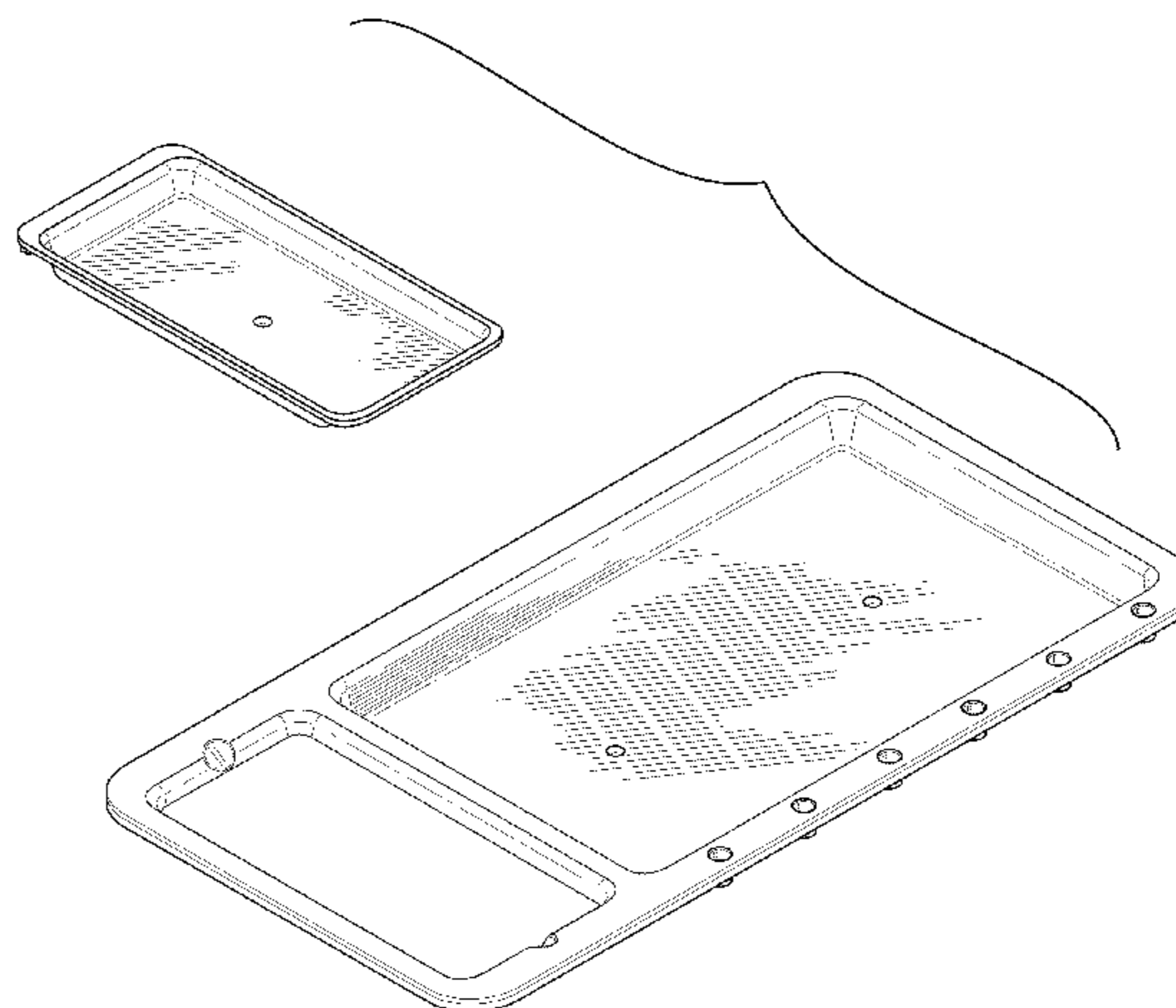
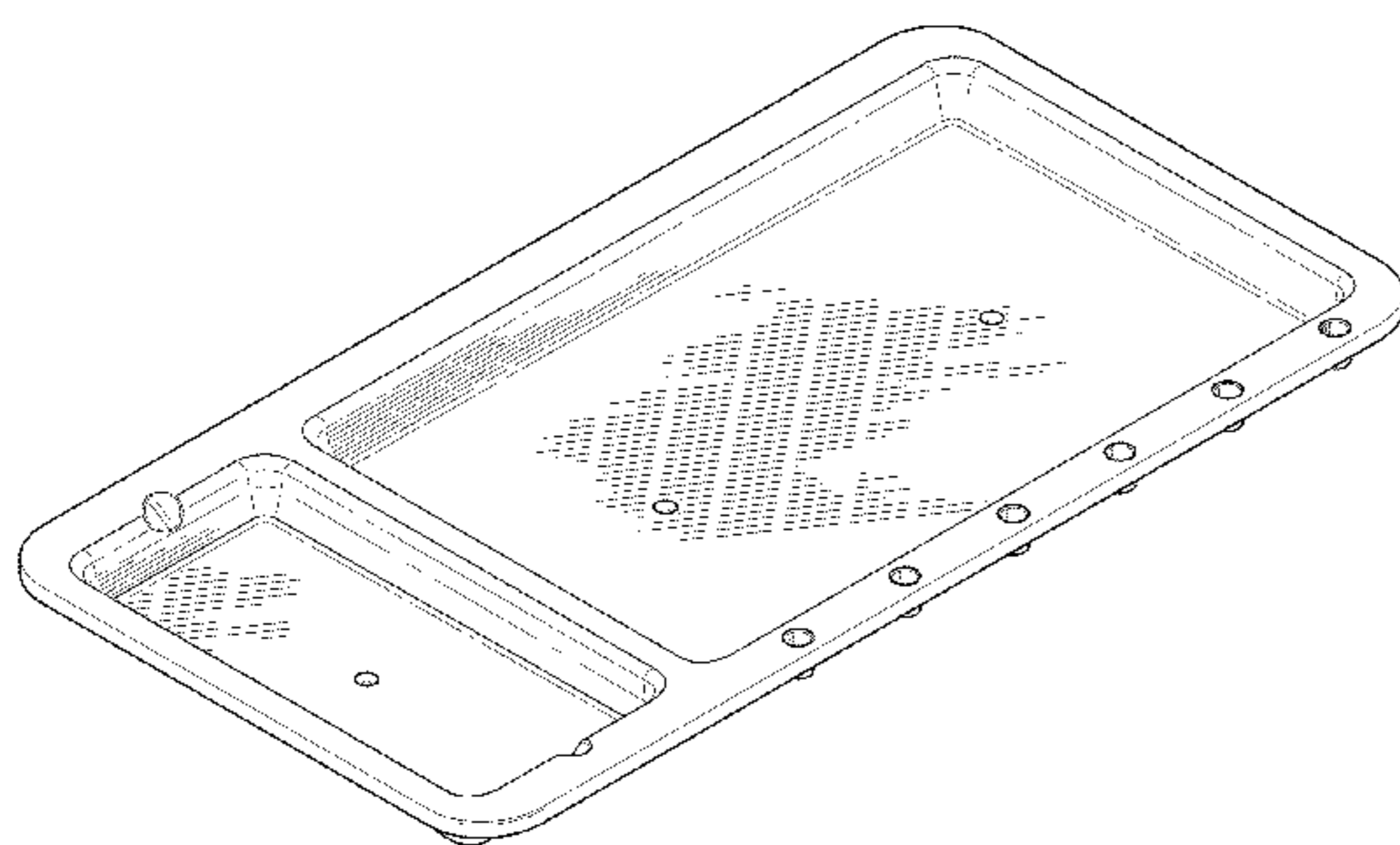
FIG. 5 is a front elevational view thereof, the rear elevational view being a mirror image thereof;

FIG. 6 is a top plan view thereof;

FIG. 7 is a bottom plan view thereof; and,

FIG. 8 is an exploded top perspective view thereof.

**1 Claim, 4 Drawing Sheets**



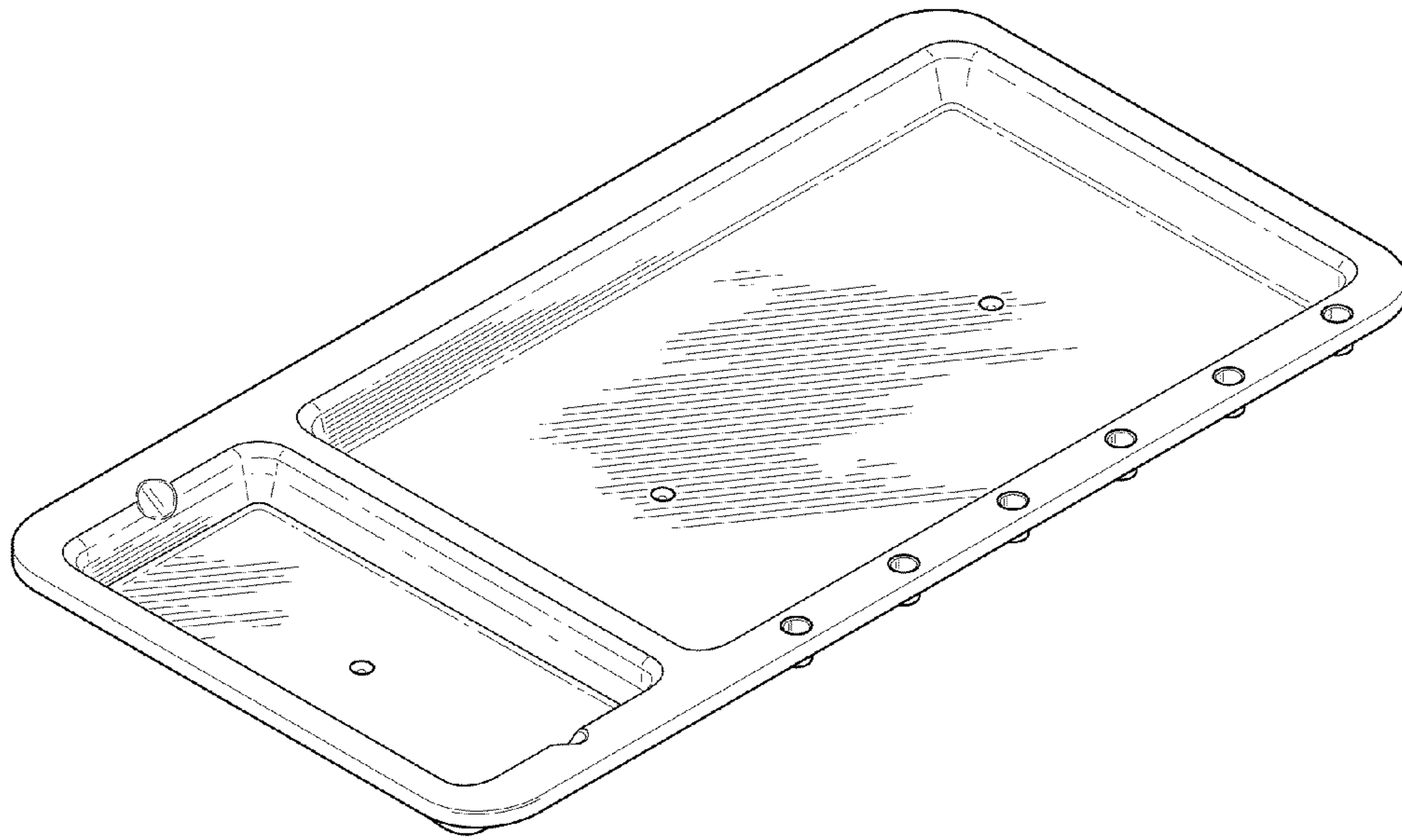


FIG. 1

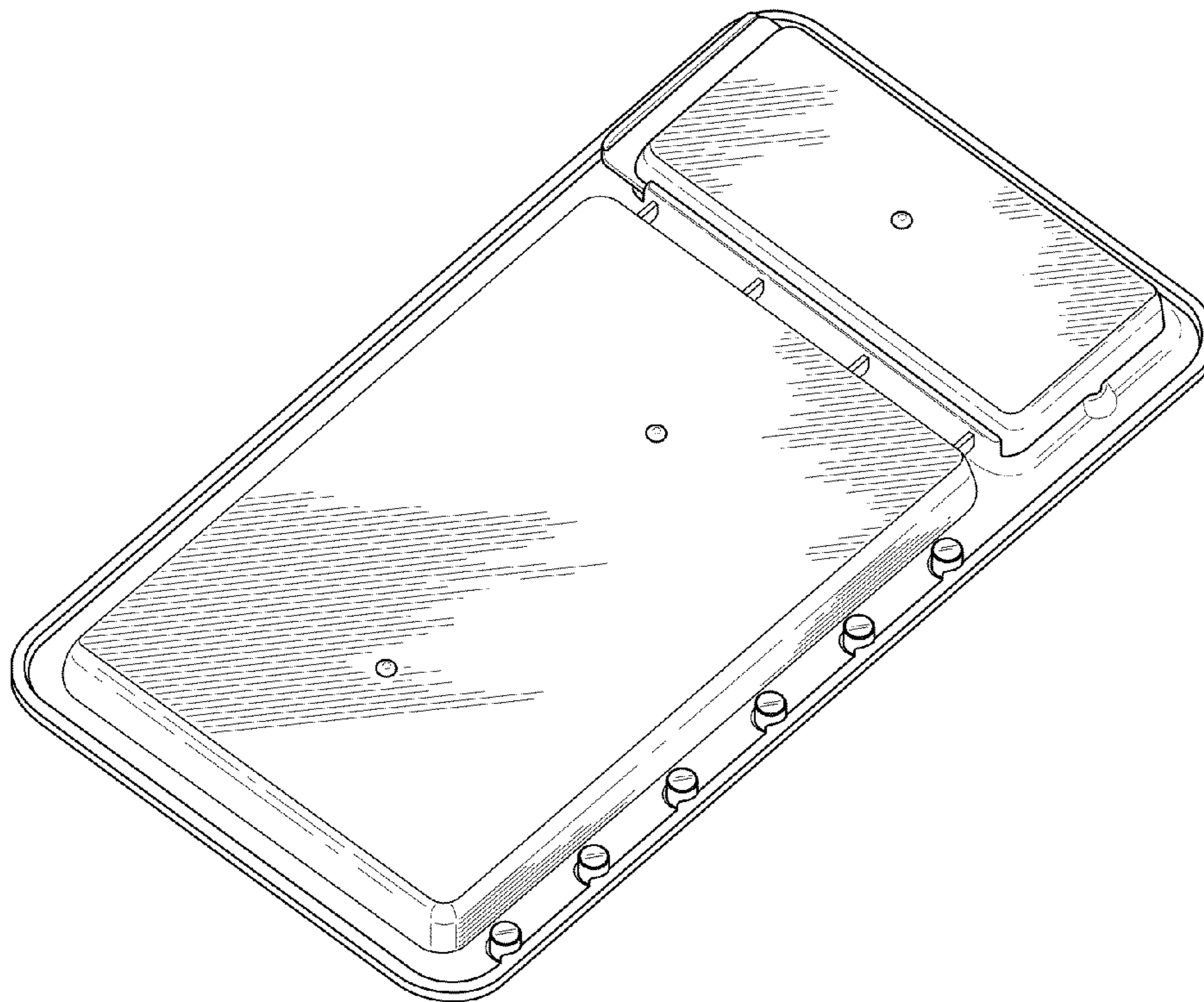


FIG. 2

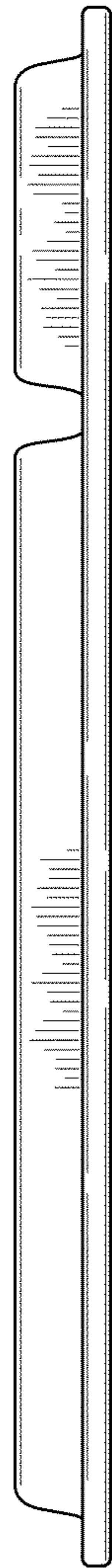


FIG. 3

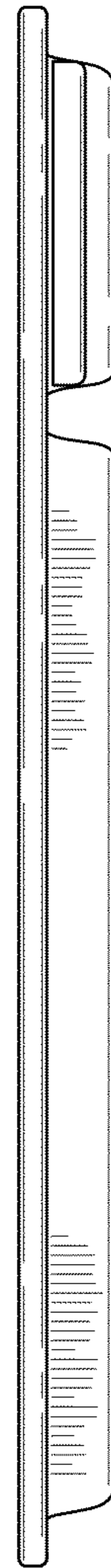


FIG. 4

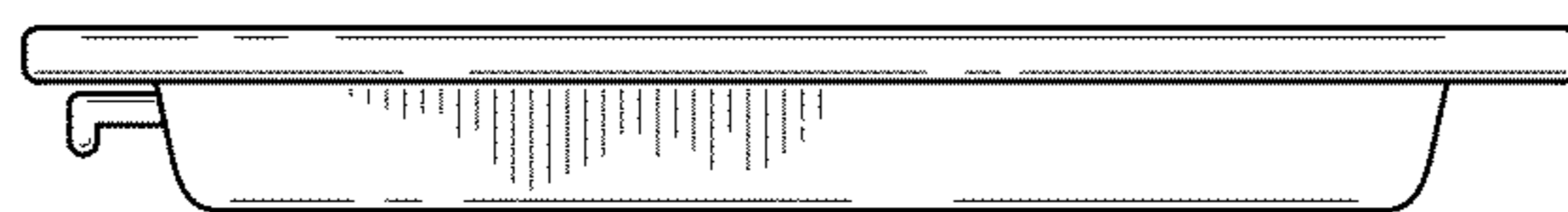


FIG. 5

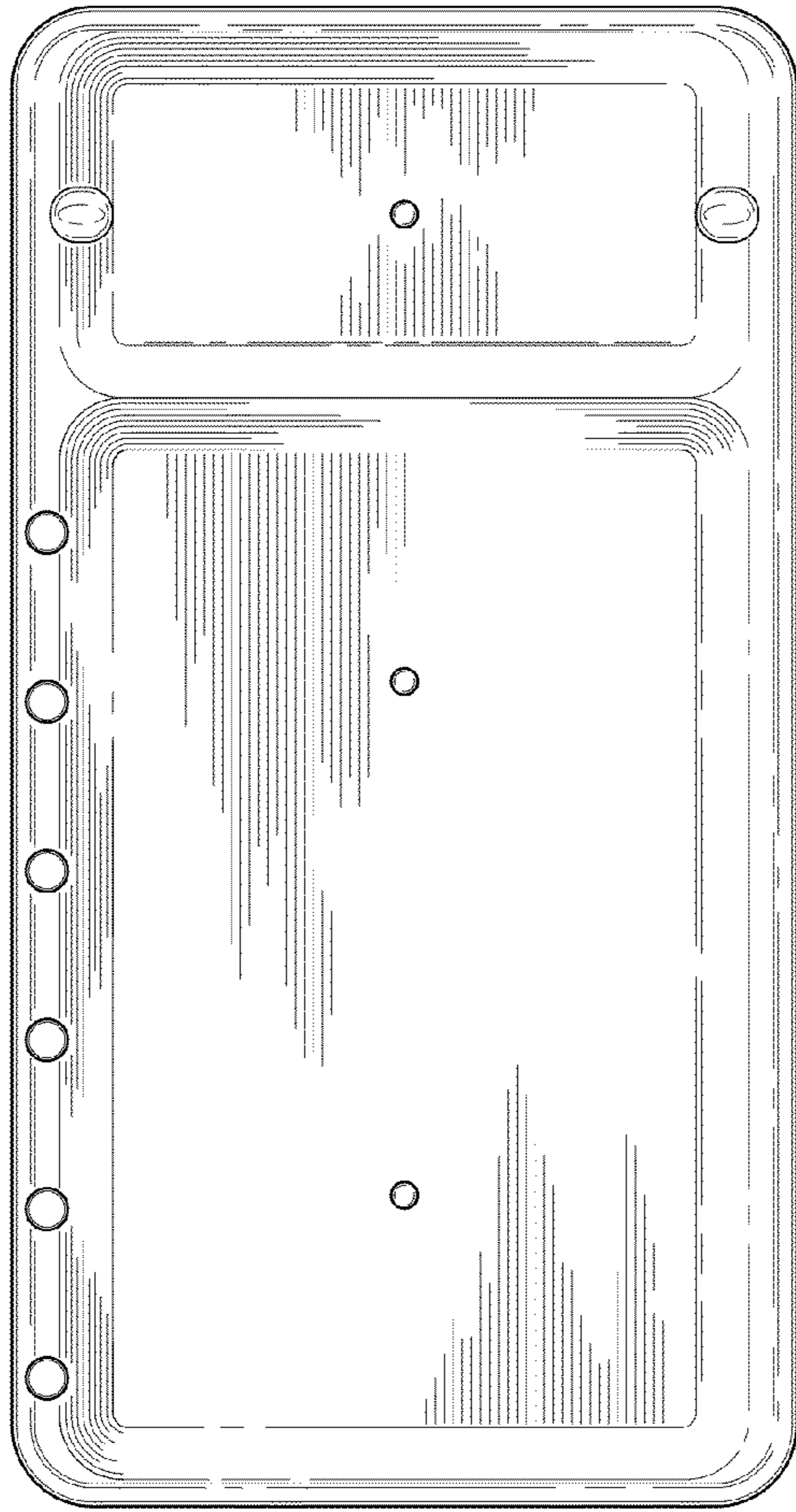


FIG. 6

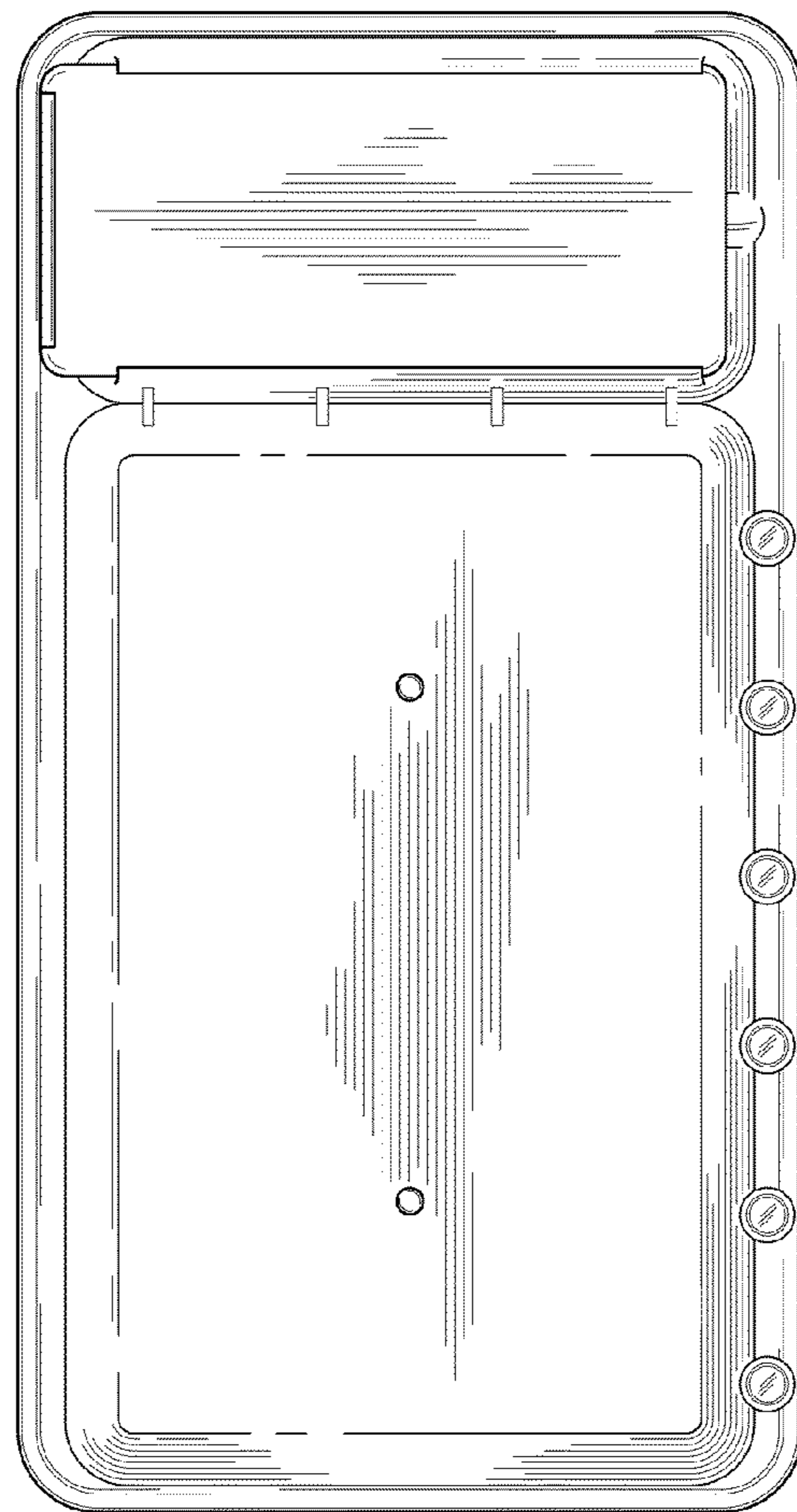


FIG. 7

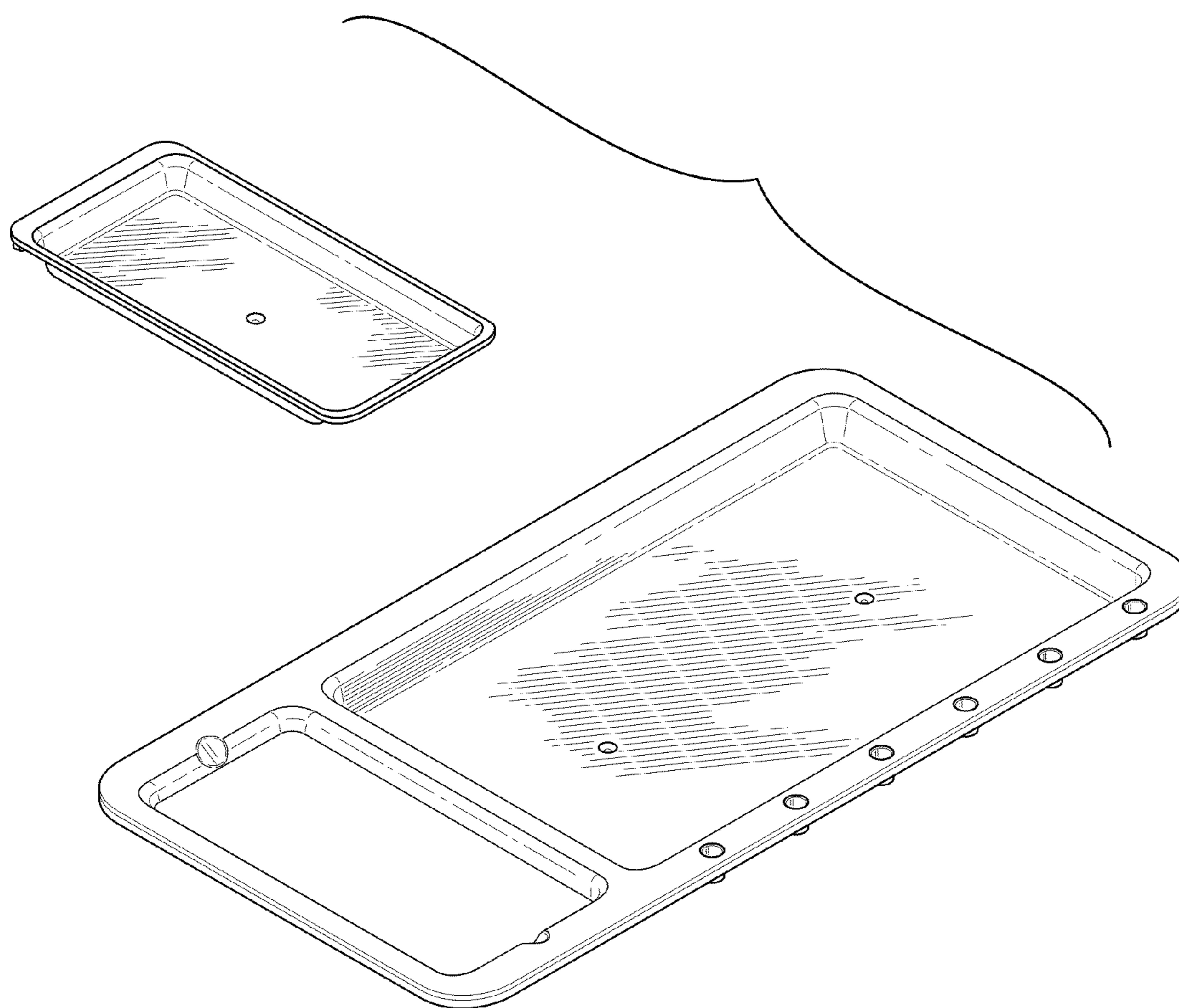


FIG. 8