



US00D737508S

(12) **United States Design Patent**
Liu

(10) **Patent No.:** **US D737,508 S**
(45) **Date of Patent:** **** Aug. 25, 2015**

(54) **ELECTRONIC CIGARETTE CASE**

- (71) Applicant: **Qiuming Liu**, Guangdong (CN)
- (72) Inventor: **Qiuming Liu**, Guangdong (CN)
- (73) Assignee: **KIMREE HI-TECH INC**, Road Town, Tortola (VG)
- (**) Term: **14 Years**
- (21) Appl. No.: **29/471,796**
- (22) Filed: **Nov. 5, 2013**
- (30) **Foreign Application Priority Data**

Oct. 11, 2013 (CN) 2013 3 0480221

(51) **LOC (10) Cl.** **27-06**

(52) **U.S. Cl.**
USPC **D27/189**

(58) **Field of Classification Search**

USPC D27/129, 141, 144, 152, 153, 157, 160,
D27/172, 174, 175, 183, 186, 187, 189–191,
D27/193, 194; D9/420, 423, 504, 529, 545,
D9/686, 688; D13/108; 206/242, 249, 250,
206/256, 259, 261, 264, 265, 267, 268;
D3/273, 294; 131/270–273, 329–330,
131/347
CPC A24F 13/14; A24F 9/16; A24F 15/00;
A24F 15/12; A24F 15/14; A24F 15/18;
A24F 15/005; A24F 15/20; A24F 23/00;
A24F 23/04

See application file for complete search history.

(56) **References Cited**

U.S. PATENT DOCUMENTS

D158,215 S * 4/1950 Peterson et al. D27/160

(Continued)

Primary Examiner — Susan Bennett Hattan

Assistant Examiner — Janice Hallmark

(74) *Attorney, Agent, or Firm* — Locke Lord LLP; Tim Tingkang Xia, Esq.

(57) **CLAIM**

The ornamental design for an electronic cigarette case, as shown and described.

DESCRIPTION

FIG. 1 is a front elevational view of a first embodiment of an electronic cigarette case;

FIG. 2 is a rear elevational view of the first embodiment of the electronic cigarette case;

FIG. 3 is a left side elevational view of the first embodiment of the electronic cigarette case;

FIG. 4 is a right side elevational view of the first embodiment of the electronic cigarette case;

FIG. 5 is a bottom plan view of the first embodiment of the electronic cigarette case;

FIG. 6 is a top plan view of the first embodiment of the electronic cigarette case;

FIG. 7 is a first perspective view of the first embodiment of the electronic cigarette case;

FIG. 8 is a second perspective view of the first embodiment of the electronic cigarette case;

FIG. 9 is a third perspective view of the first embodiment of the electronic cigarette case shown in an open position;

FIG. 10 is a fourth perspective view of the first embodiment of the electronic cigarette case shown in an open position;

FIG. 11 is a front elevational view of a second embodiment of an electronic cigarette case;

FIG. 12 is a rear elevational view of the second embodiment of the electronic cigarette case;

FIG. 13 is a left side elevational view of the second embodiment of the electronic cigarette case;

FIG. 14 is a right side elevational view of the second embodiment of the electronic cigarette case;

FIG. 15 is a bottom plan view of the second embodiment of the electronic cigarette case;

FIG. 16 is a top plan view of the second embodiment of the electronic cigarette case;

FIG. 17 is a first perspective view of the second embodiment of the electronic cigarette case;

FIG. 18 is a second perspective view of the second embodiment of the electronic cigarette case;

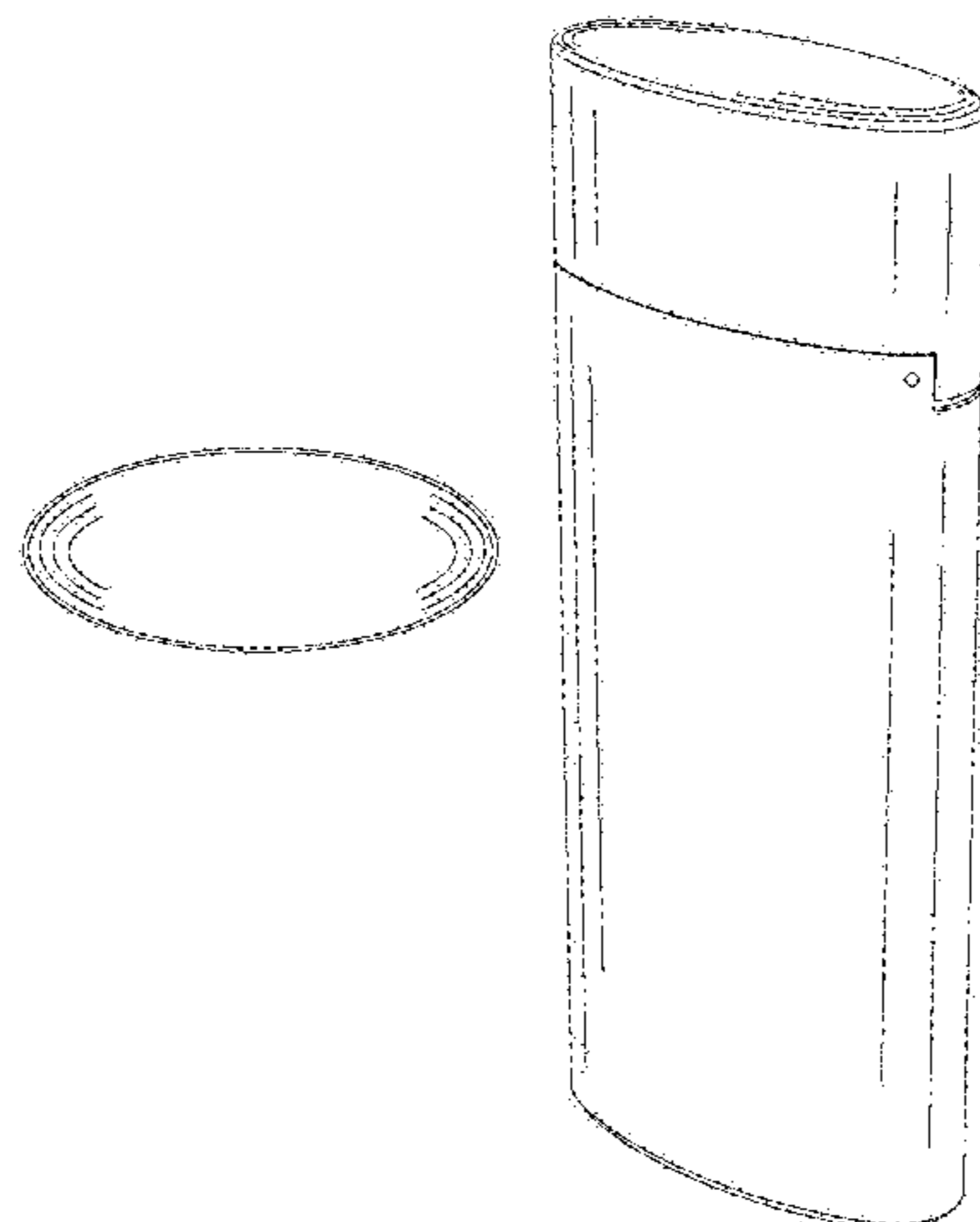
FIG. 19 is a third perspective view of the second embodiment of the electronic cigarette case shown in an open position;

and,

FIG. 20 is a fourth perspective view of the second embodiment of the electronic cigarette case shown in an open position.

The broken lines in the drawings depict environment that forms no part of the claimed design.

1 Claim, 18 Drawing Sheets



(56)

References Cited

U.S. PATENT DOCUMENTS

D239,776 S * 5/1976 Goto D27/160
D281,281 S * 11/1985 Matalon D28/5
D322,687 S * 12/1991 Tschudin D27/189
D414,892 S * 10/1999 Chen D27/188
D436,725 S * 1/2001 Rogers D3/265
D441,133 S * 4/2001 Emery D27/189
D449,404 S * 10/2001 Emery D27/186
6,446,793 B1 * 9/2002 Layshock 206/86

D472,341 S * 3/2003 Cohen Harel D27/141
D493,912 S * 8/2004 Wong D27/141
D527,140 S * 8/2006 Harel D27/141
D672,642 S * 12/2012 Supranowicz D9/420
D700,397 S * 2/2014 Manca et al. D27/189
D711,591 S * 8/2014 Wu D27/157
D720,884 S * 1/2015 Liu D27/189
D723,734 S * 3/2015 Liu D27/189
D723,736 S * 3/2015 Liu D27/189
D723,738 S * 3/2015 Liu D27/189

* cited by examiner

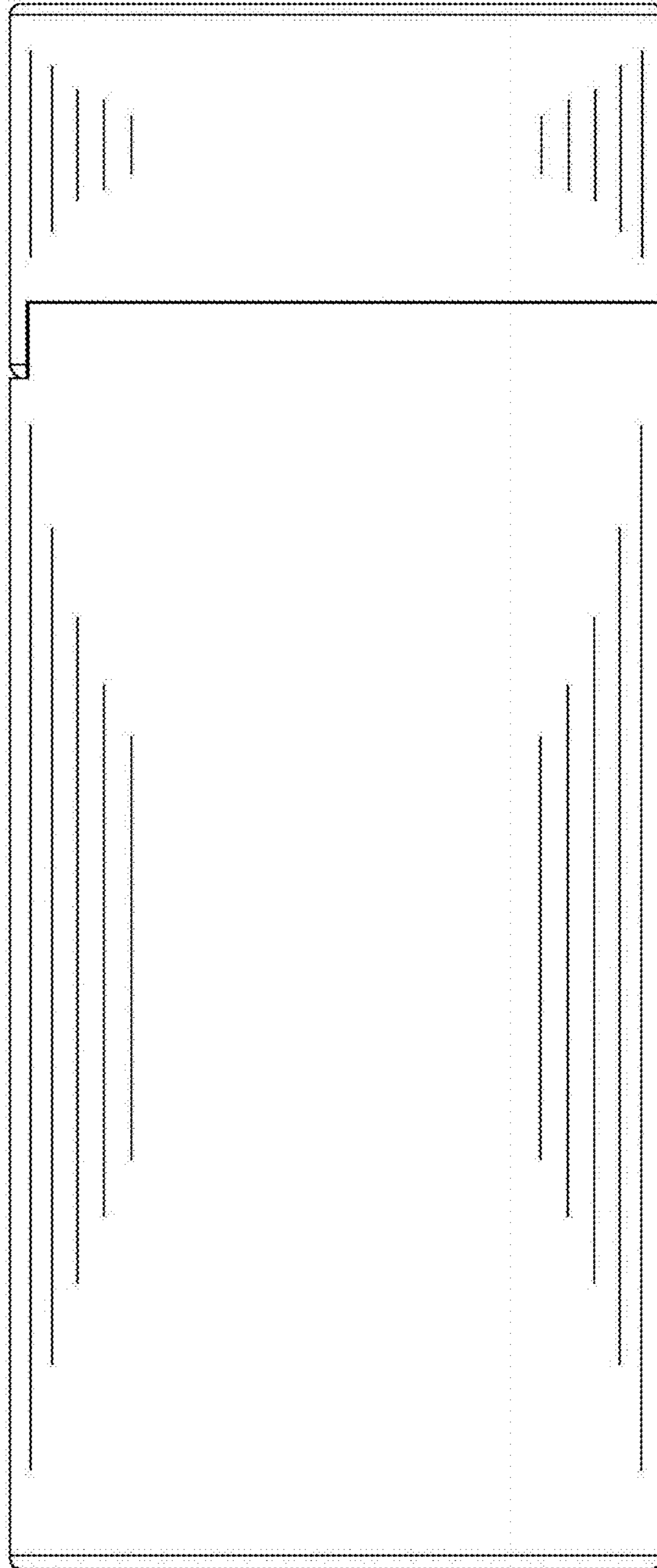


Fig.1

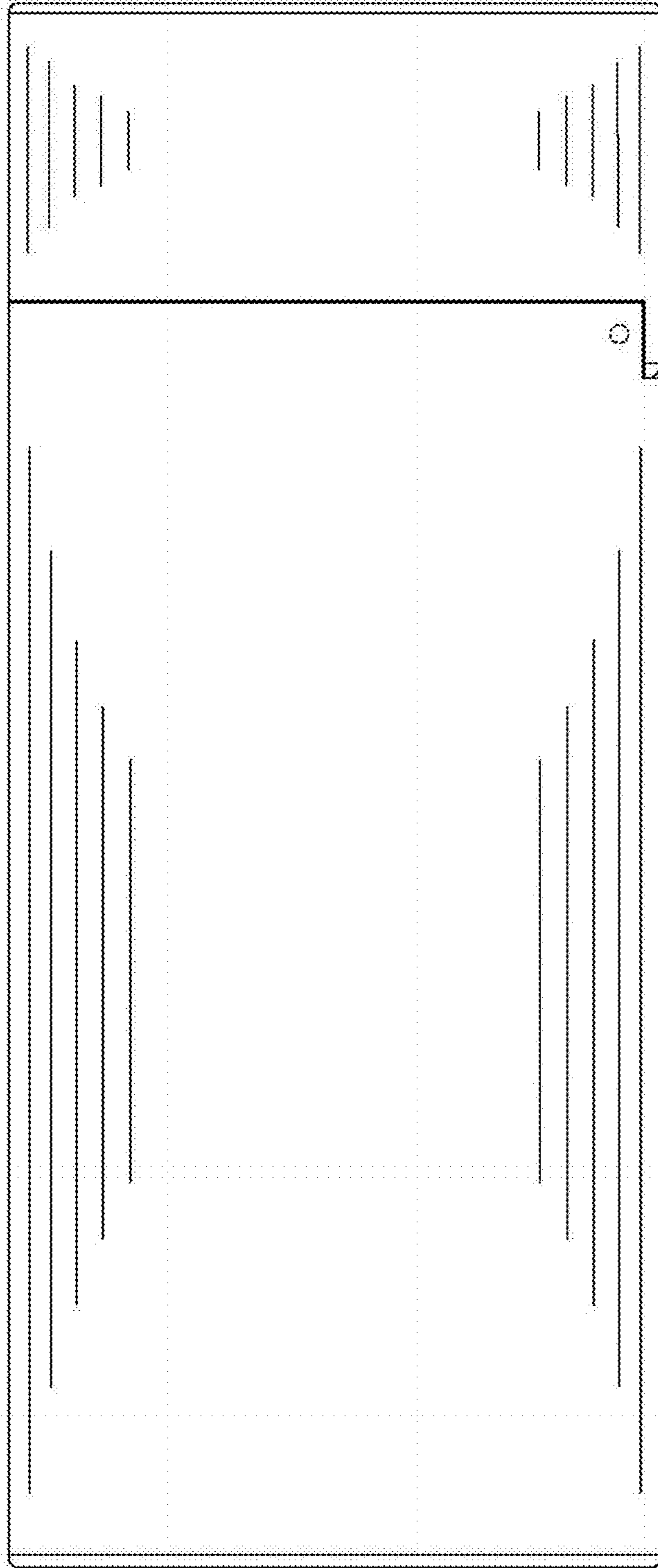


Fig.2

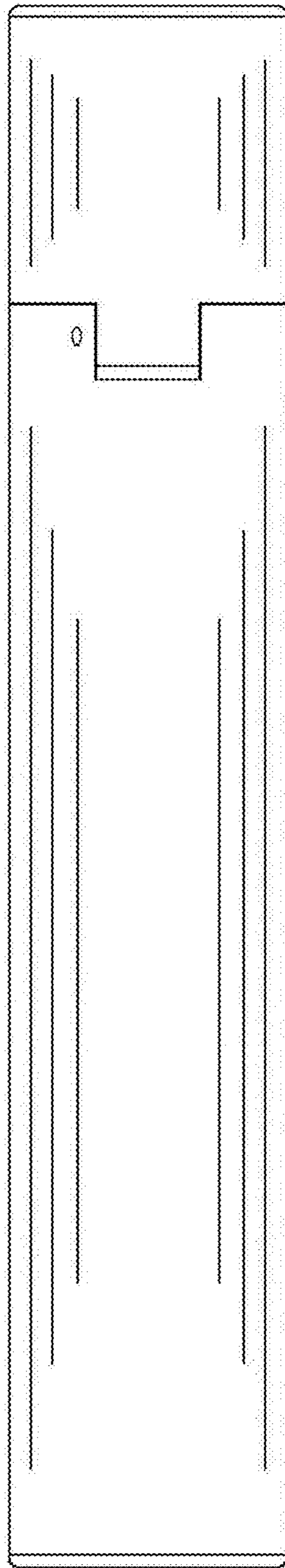


Fig.3

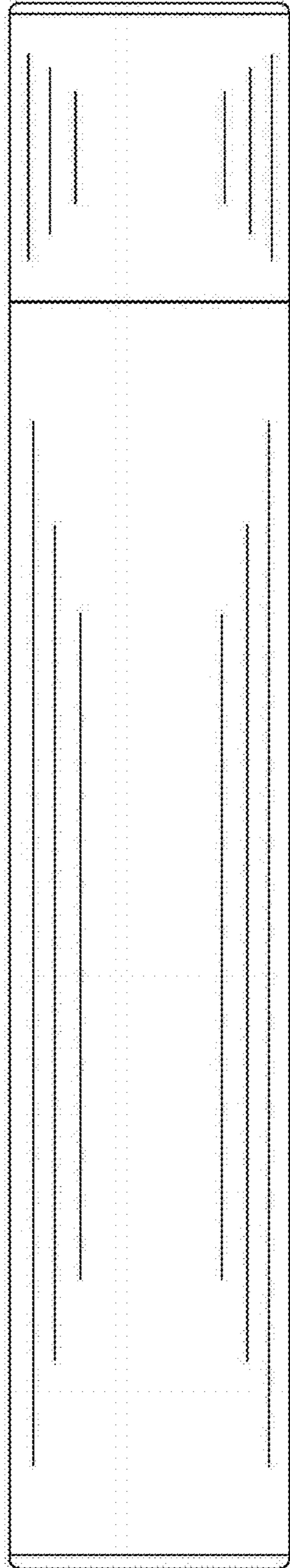


Fig.4

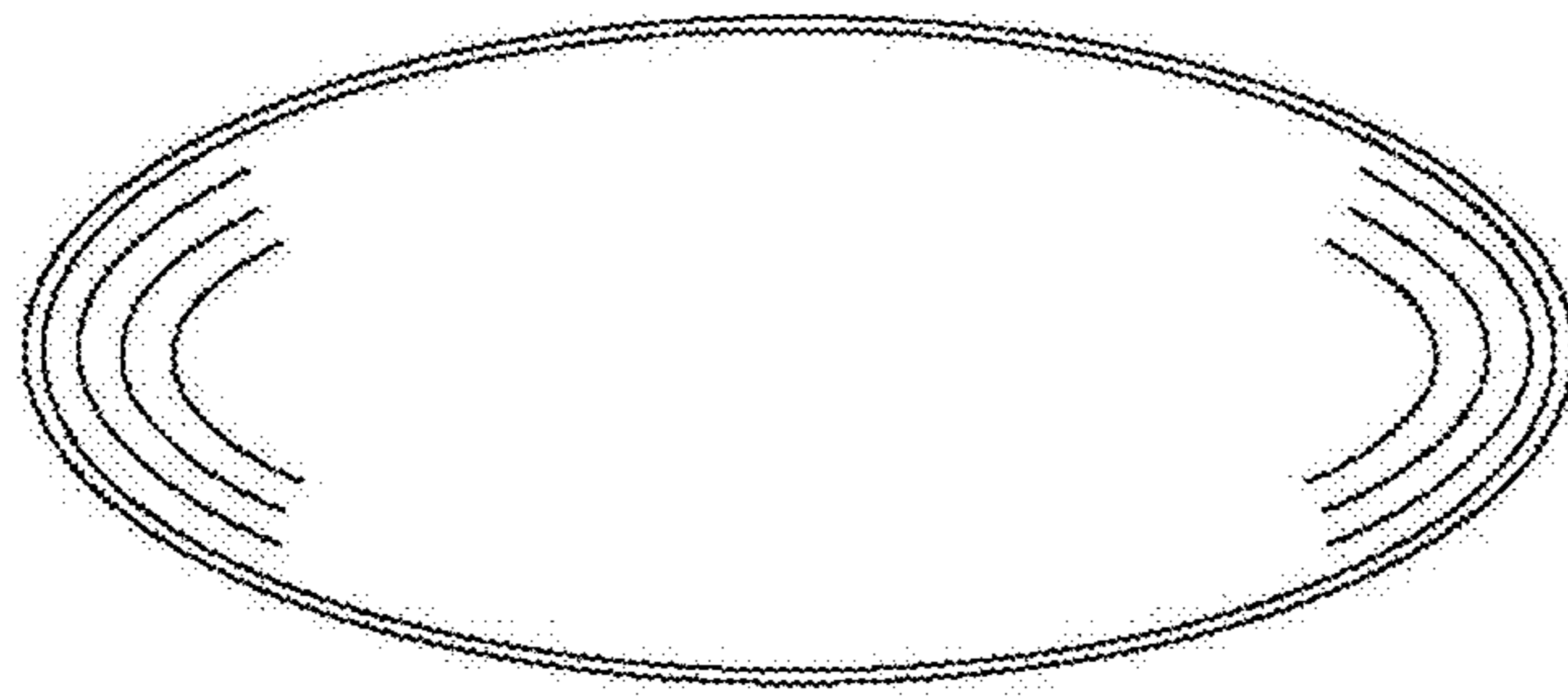


Fig.5

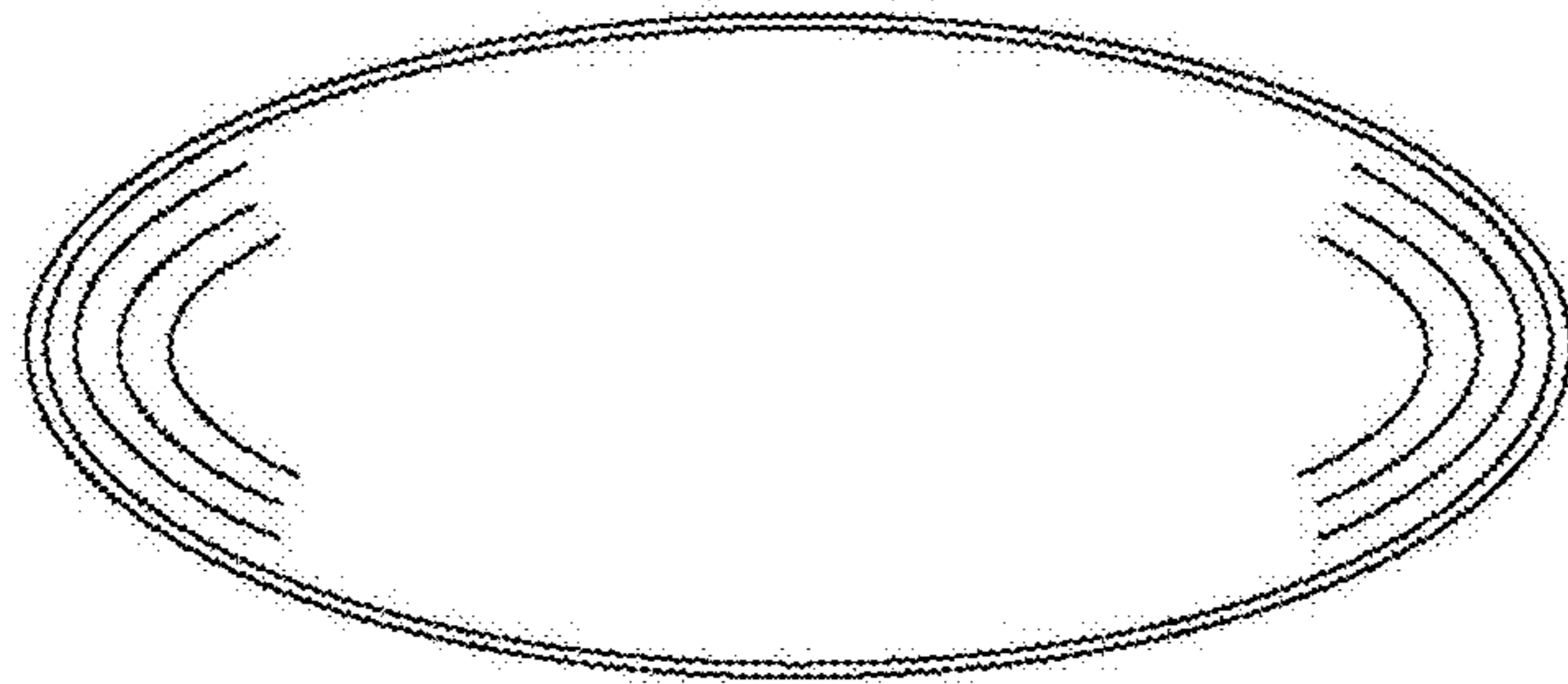


Fig.6

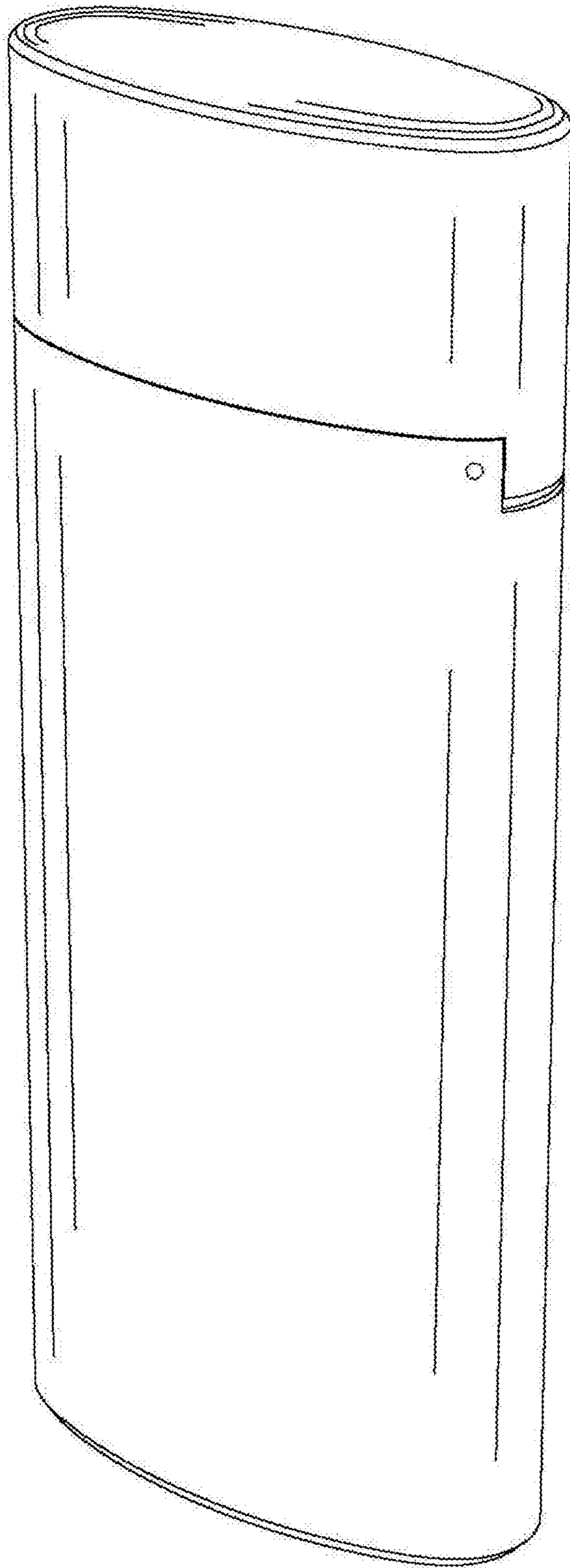


Fig.7

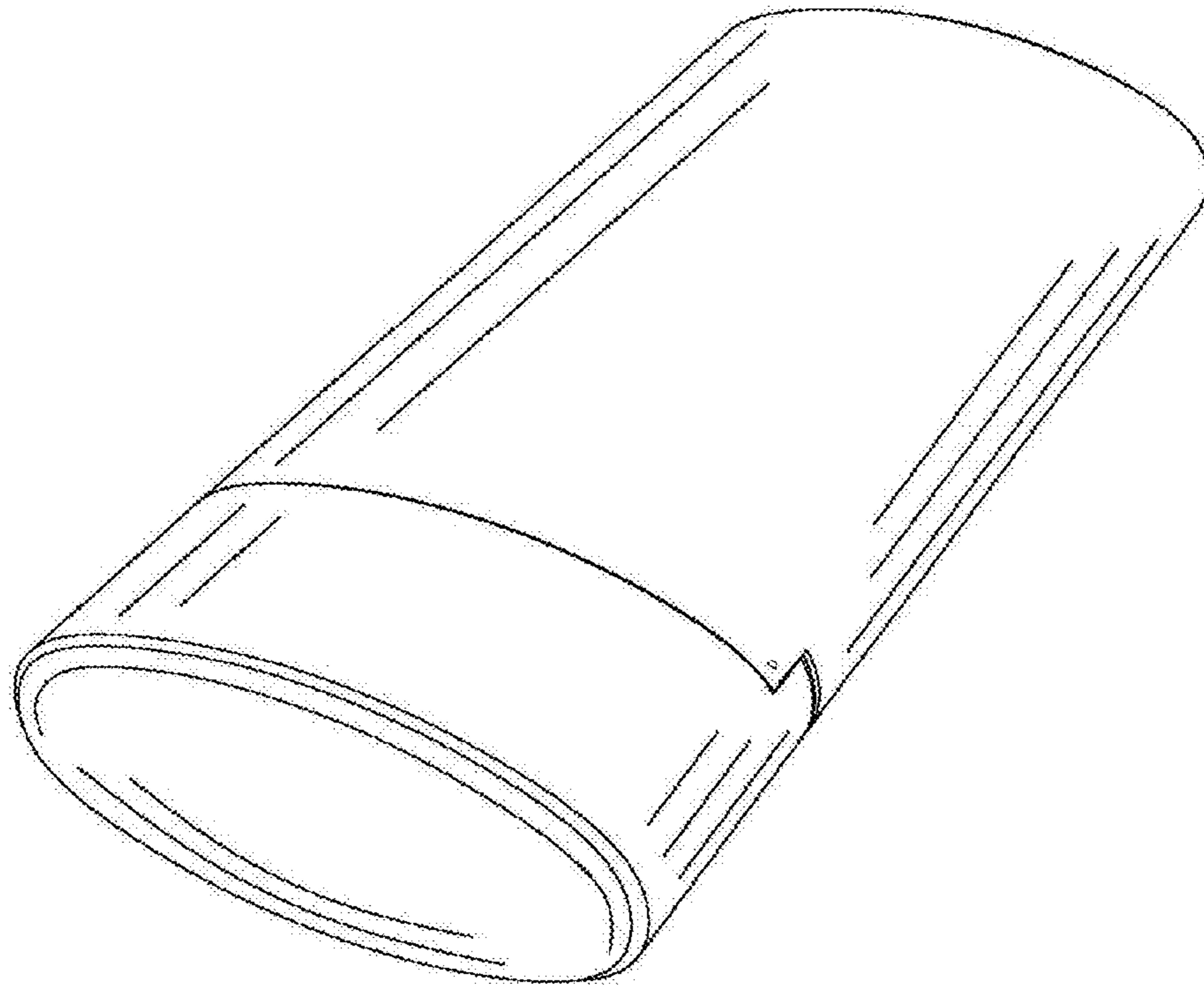


Fig.8

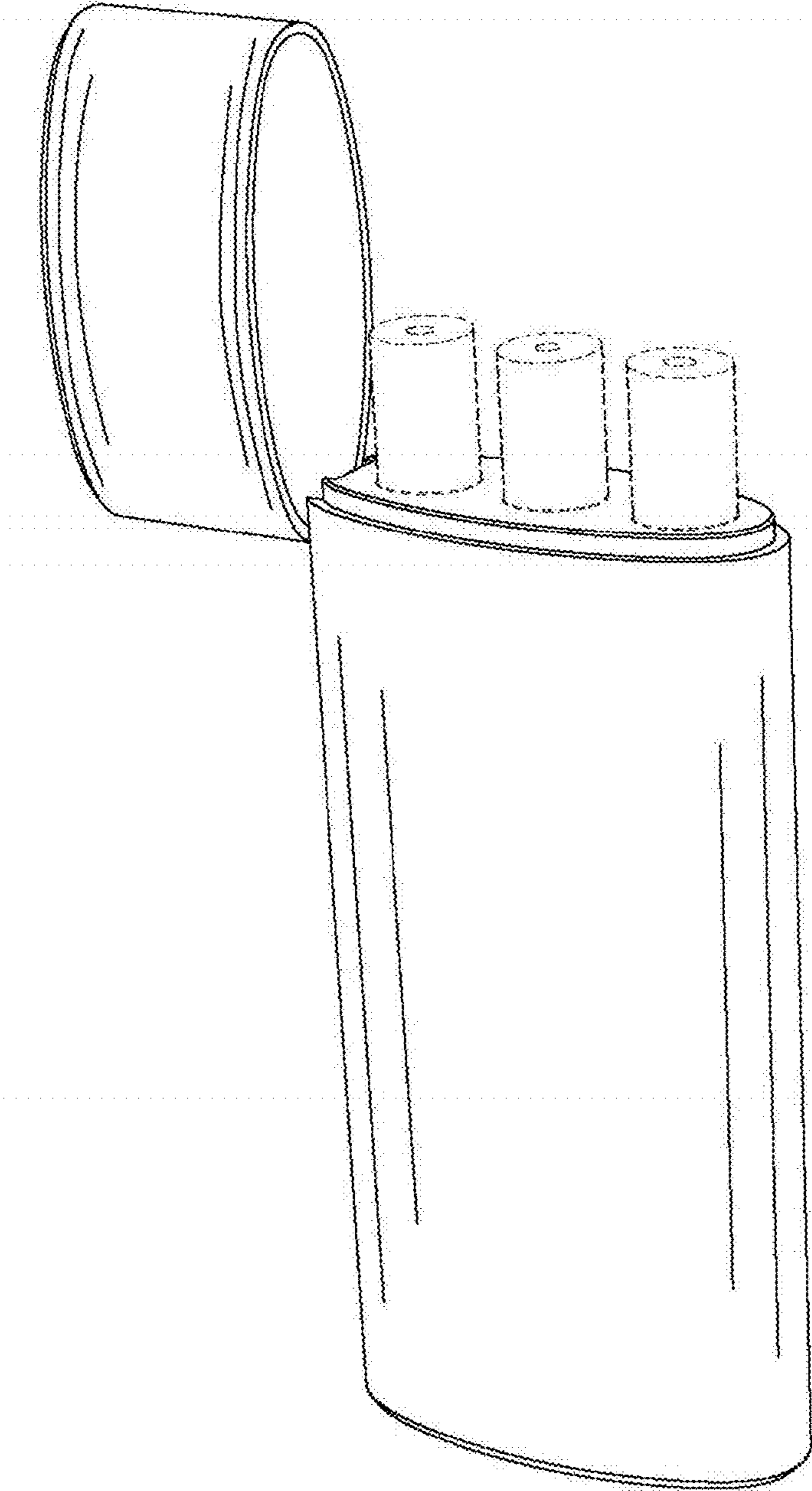


Fig.9

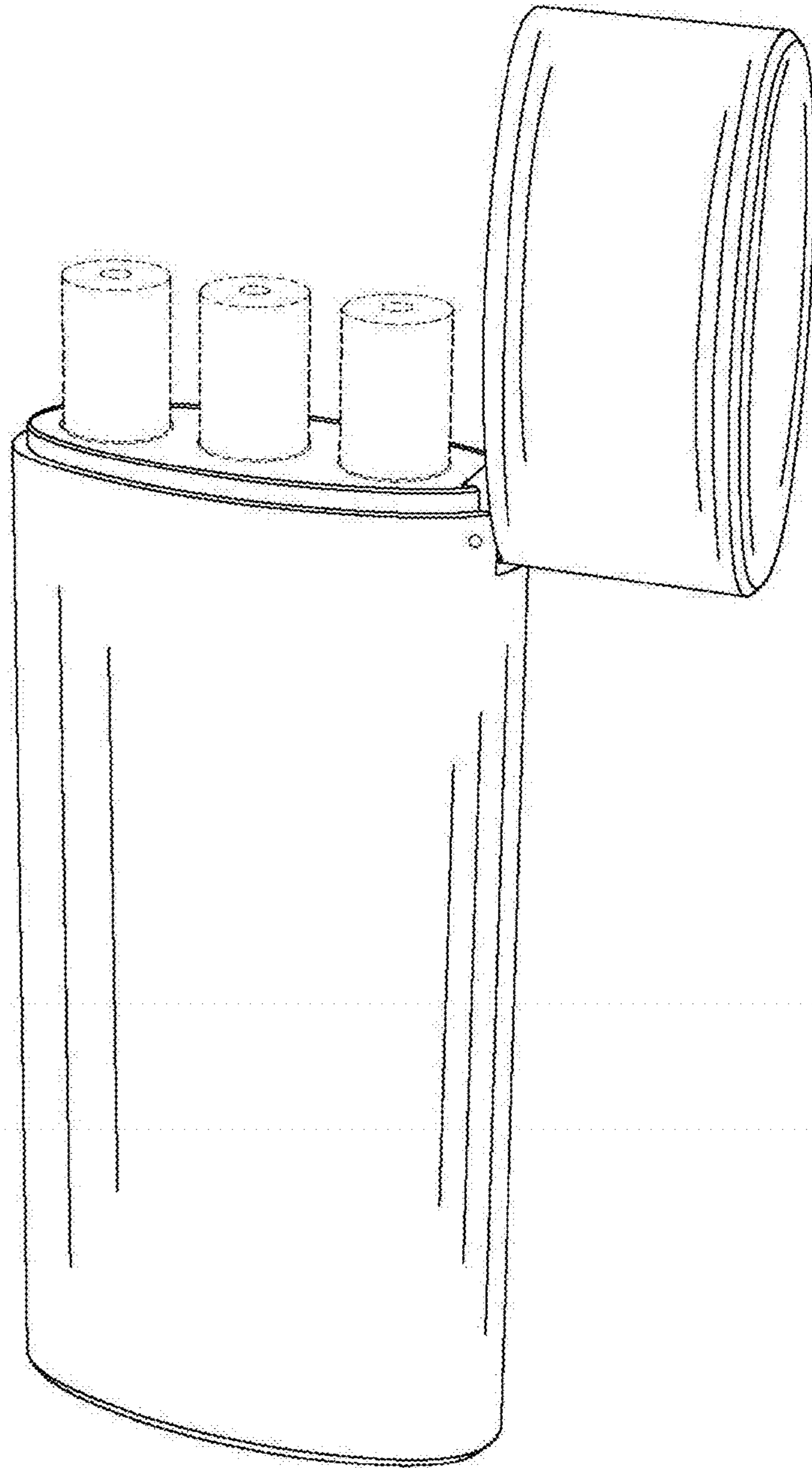


Fig.10

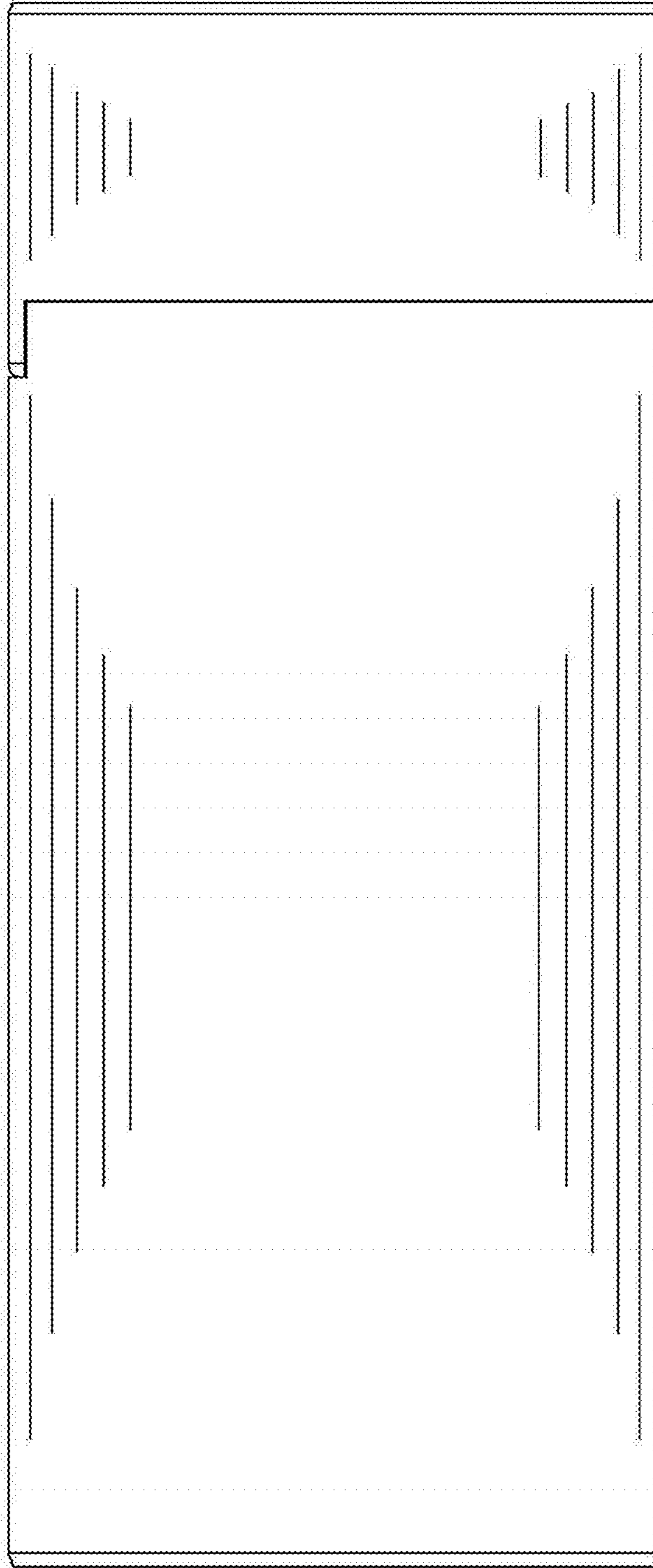


Fig. 11

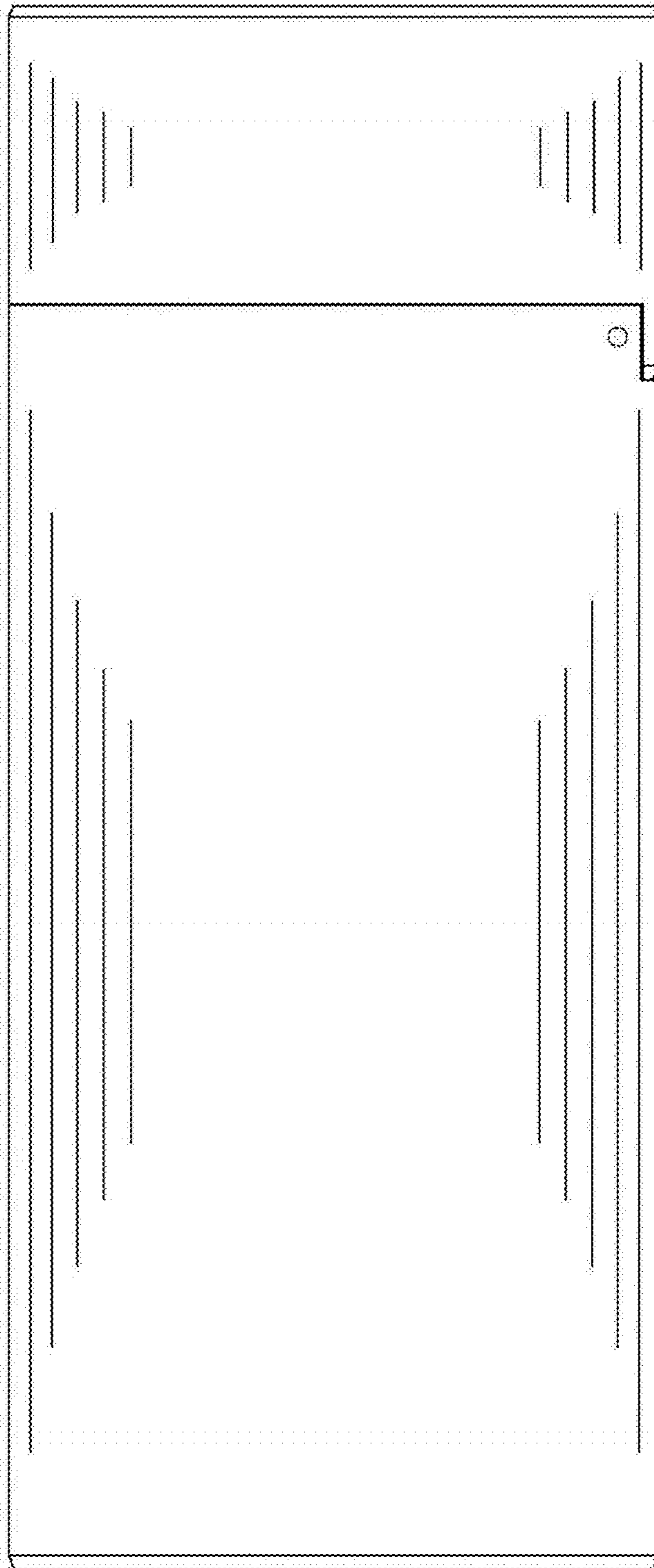


Fig. 12

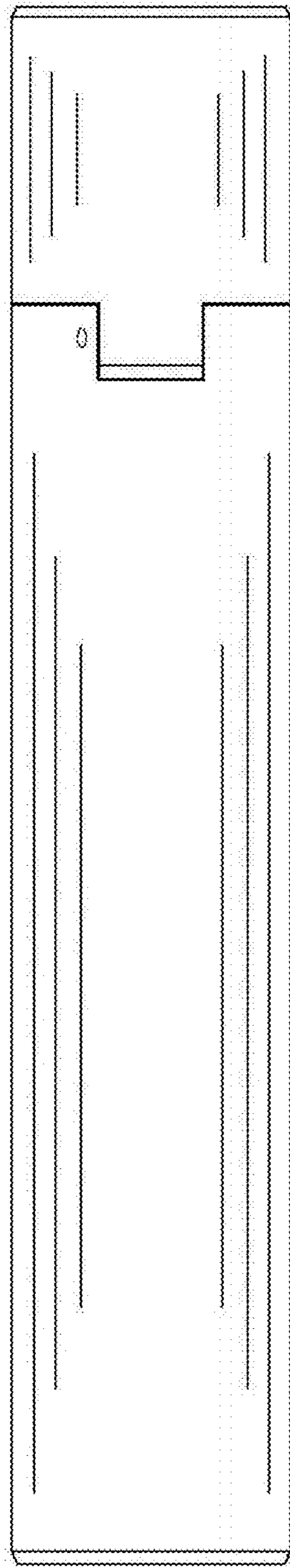


Fig. 13

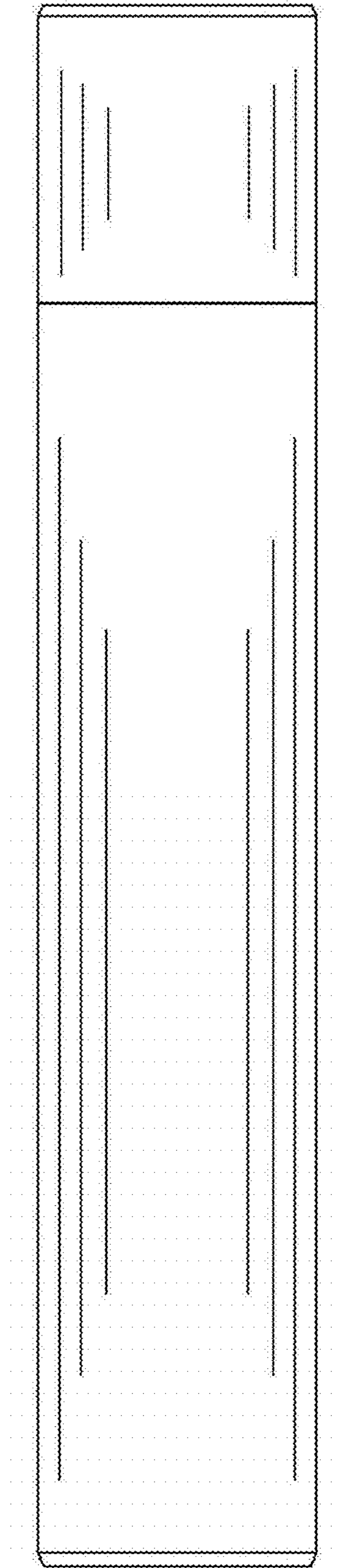


Fig. 14

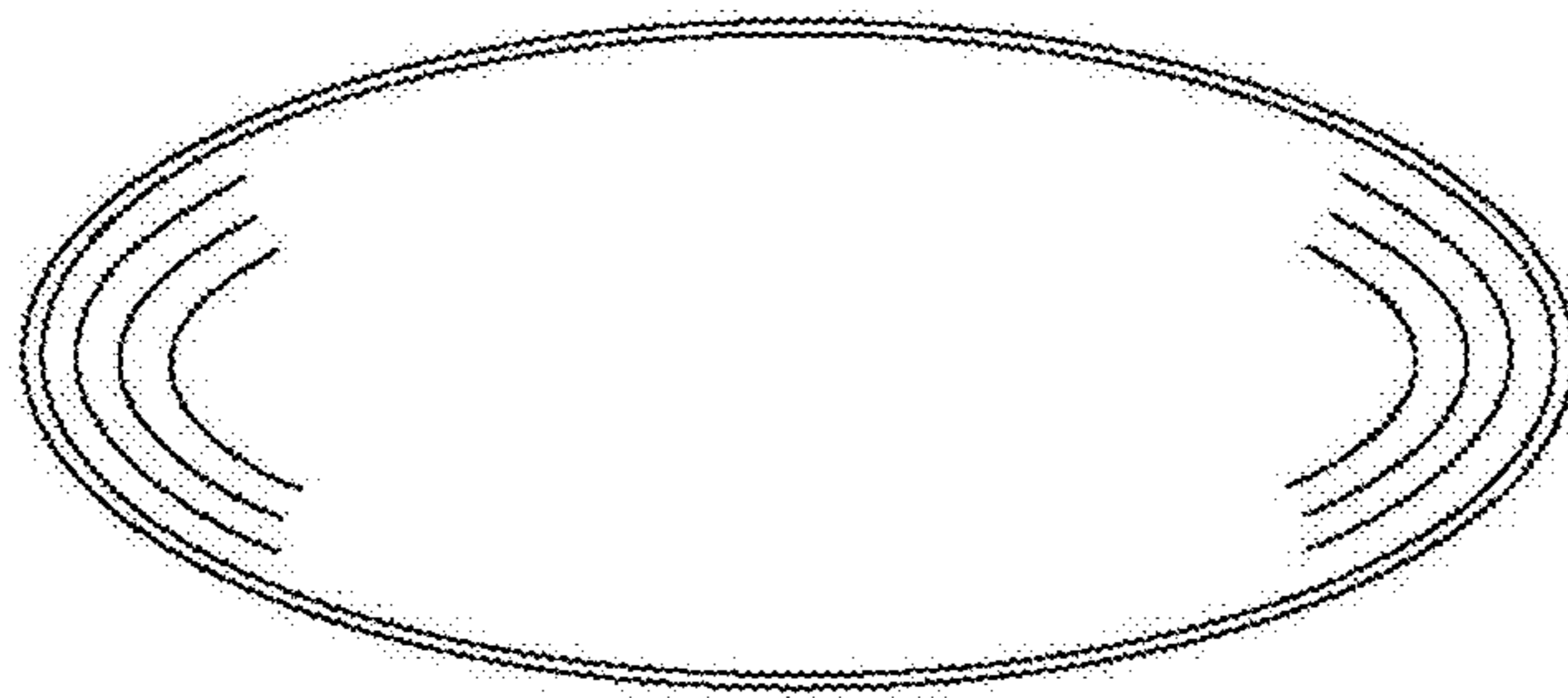


Fig. 15

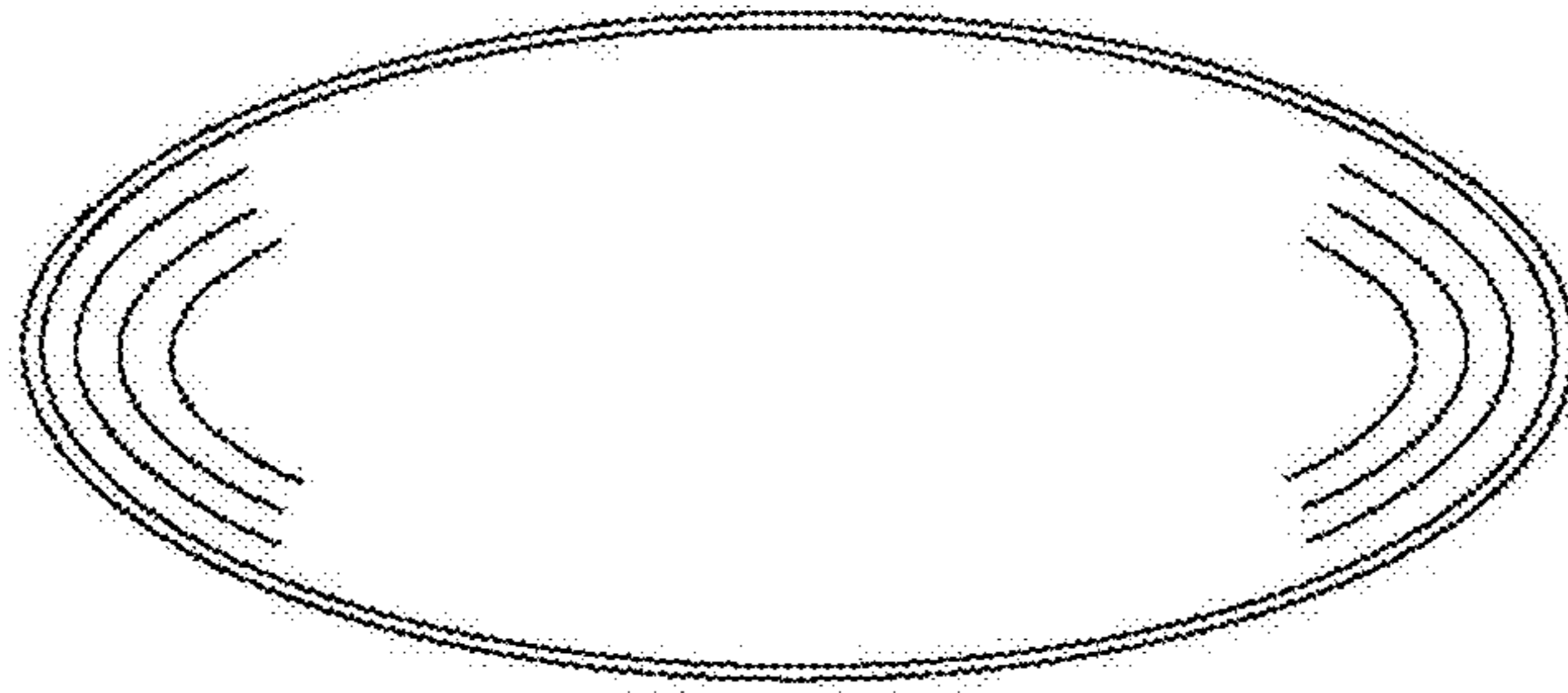


Fig. 16

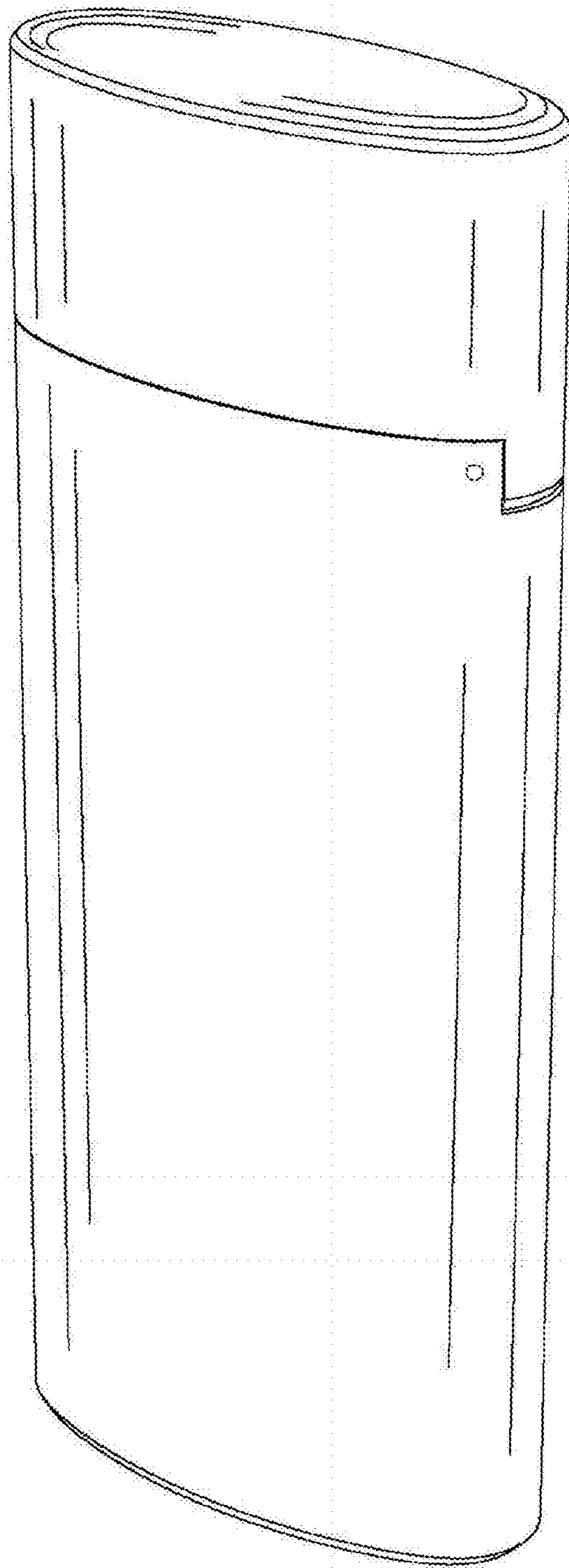


Fig. 17

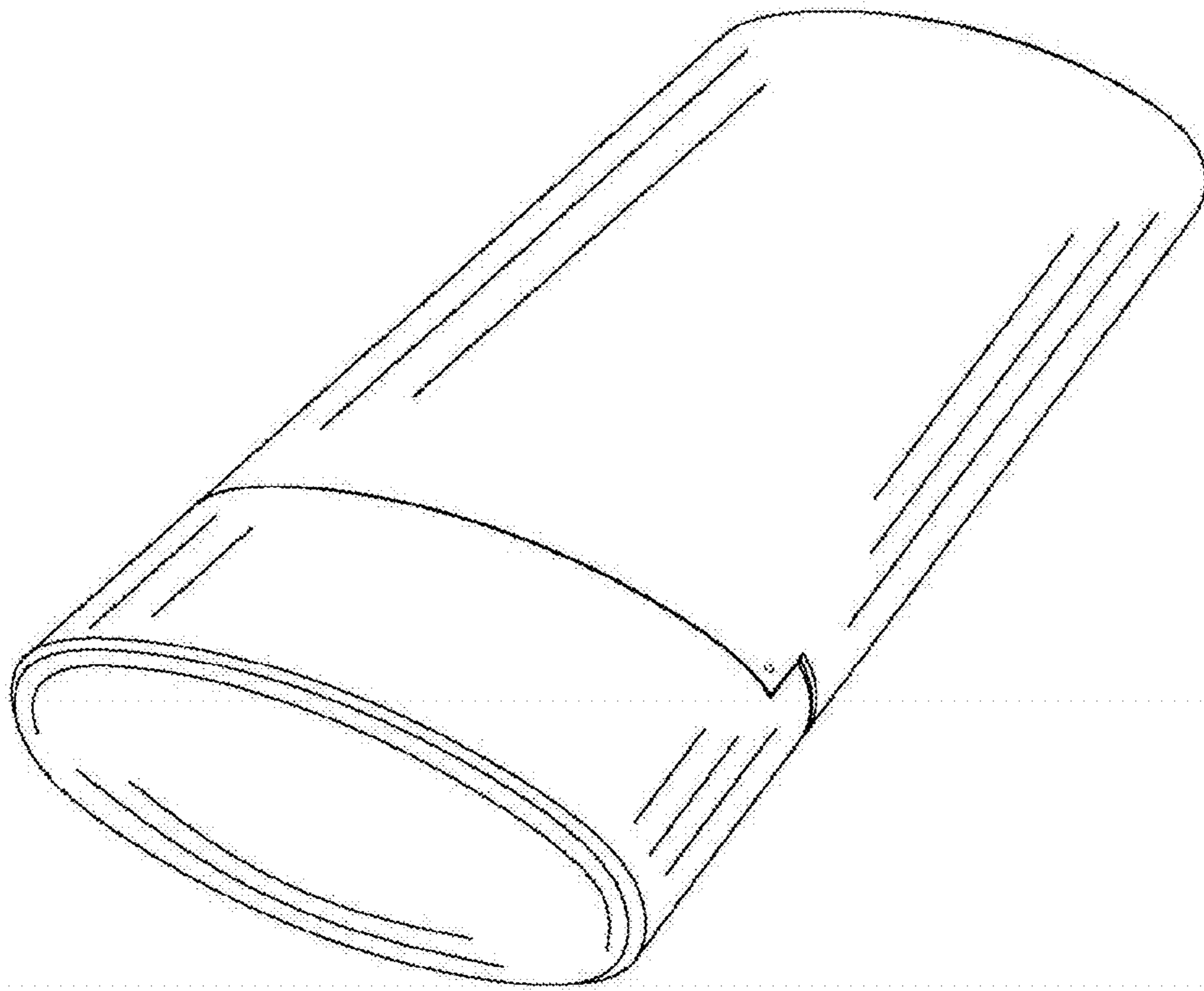


Fig. 18

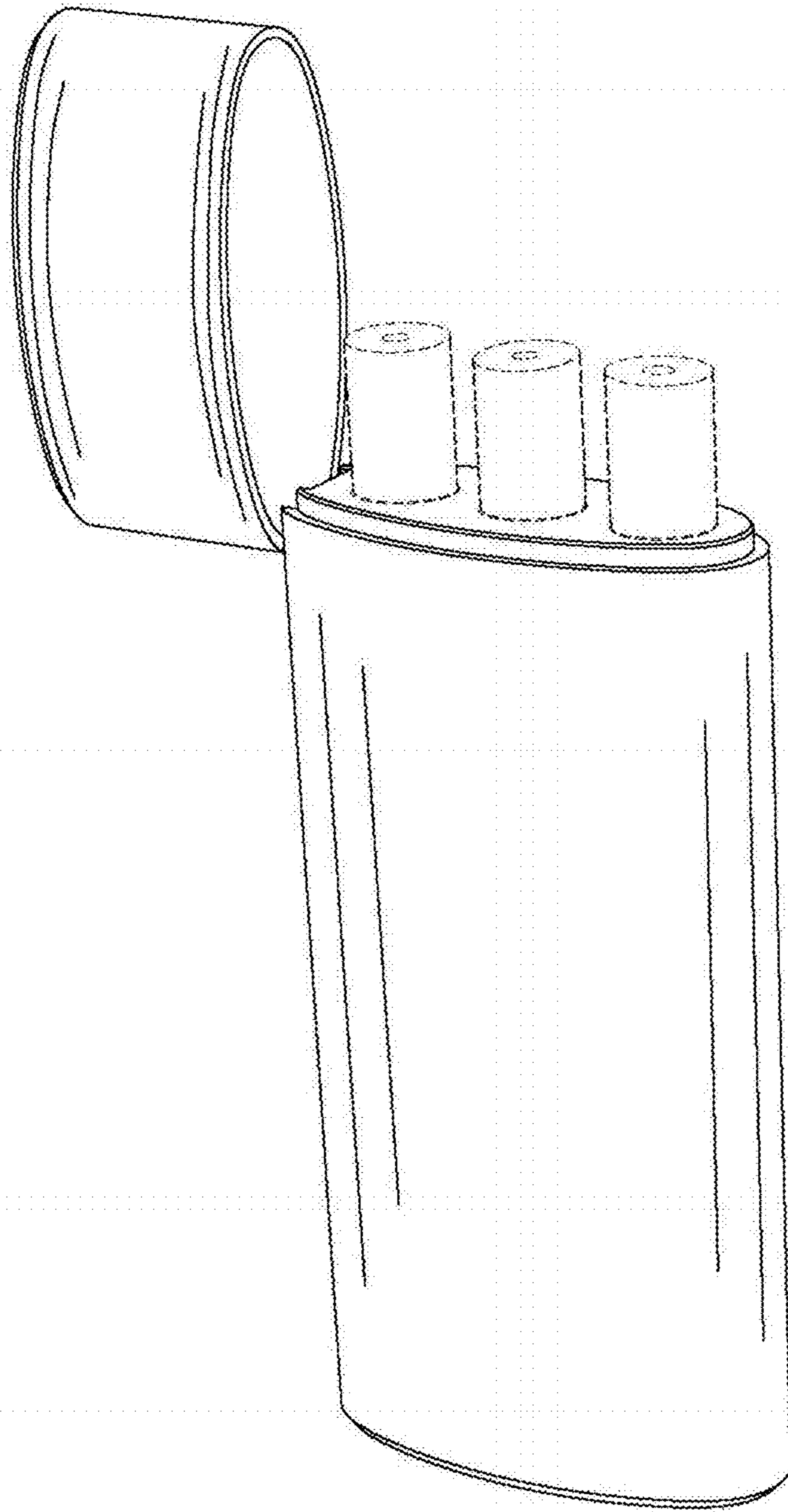


Fig. 19

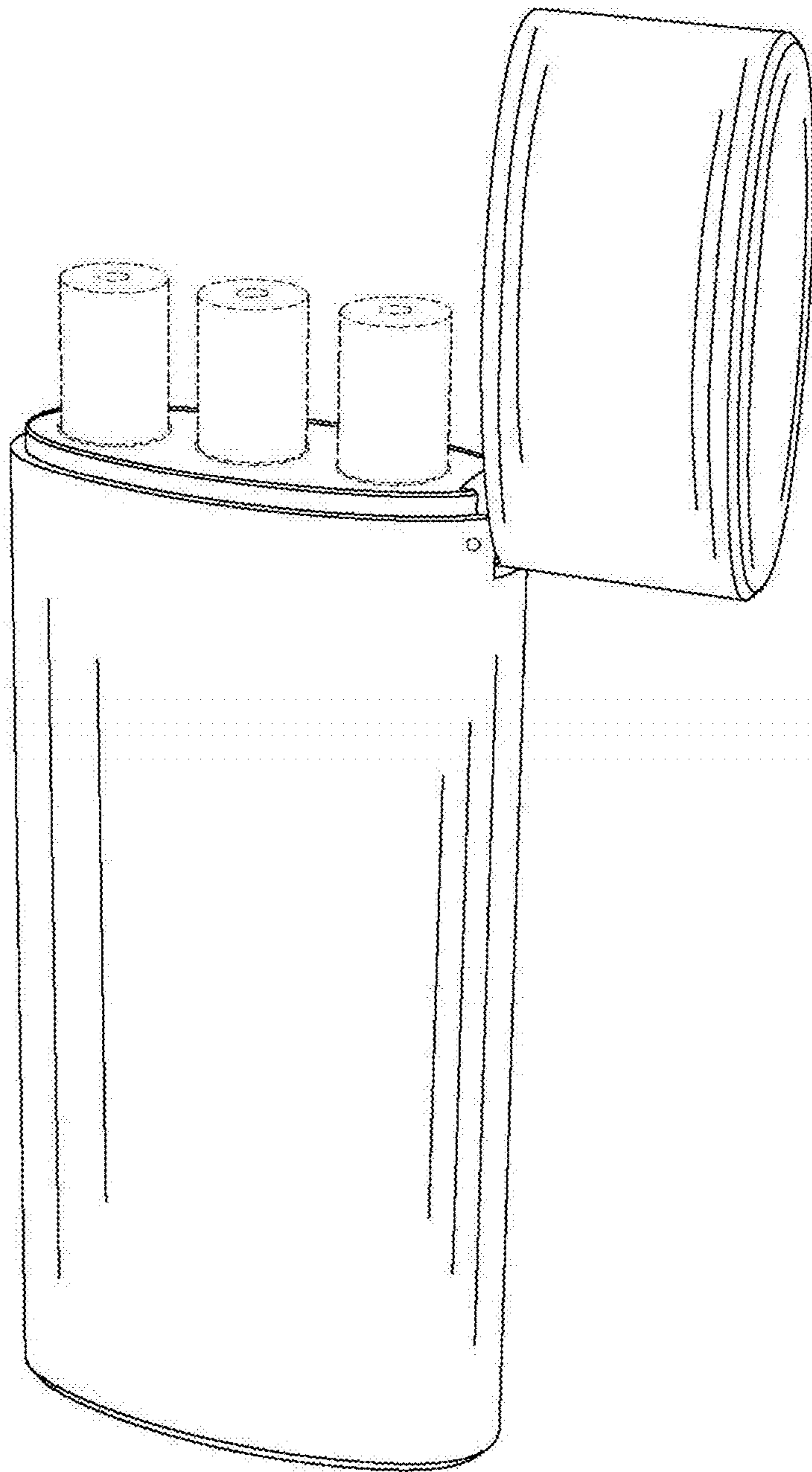


Fig.20