



US00D737504S

(12) **United States Design Patent**
Chen et al.

(10) **Patent No.:** **US D737,504 S**

(45) **Date of Patent:** **** Aug. 25, 2015**

- (54) **ELECTRONIC CIGARETTE CUP HOLDER**
- (71) Applicants: **Michael Chen**, Irvine, CA (US); **Wen Wei**, San Ramon, CA (US); **Billy Chen**, Irvine, CA (US)
- (72) Inventors: **Michael Chen**, Irvine, CA (US); **Wen Wei**, San Ramon, CA (US); **Billy Chen**, Irvine, CA (US)

(**) Term: **14 Years**

(21) Appl. No.: **29/469,012**

(22) Filed: **Oct. 4, 2013**

(51) **LOC (10) Cl.** **27-06**

(52) **U.S. Cl.**
USPC **D27/183**

(58) **Field of Classification Search**
 USPC D27/102–105, 108–111, 118, 123–129, D27/133–134, 137, 138, 141, 144, 152, 153, D27/157, 160, 172–194; D9/420, 423, 456, D9/504, 529, 545, 686, 688, 524, 737, 741, D9/746, 756, 758; D13/108; 206/242, 249, 206/250, 256, 259, 261, 264, 265, 267, 206/268; D3/206, 273, 294, 319; 131/231, 131/240, 241, 242, 242.5, 270–273, 131/329–330, 347; D7/513, 541; D8/356, D8/357, 380, 383, 396; D6/552
 CPC A24F 13/14; A24F 9/16; A24F 15/00; A24F 15/12; A24F 15/14; A24F 15/18; A24F 15/005; A24F 15/20; A24F 23/00; A24F 23/04; A24F 15/02; A24F 15/08; A24F 21/00; B60N 3/12
 See application file for complete search history.

(56) **References Cited**

U.S. PATENT DOCUMENTS

1,828,068 A * 10/1931 Pringle 131/256
 D115,390 S * 6/1939 Colucci D27/133
 D153,318 S * 4/1949 Potter D27/125

2,595,103 A * 4/1952 Schmaling, Sr. 131/242
 D223,420 S * 4/1972 Tanaka D27/184
 D275,613 S * 9/1984 Dodge D27/134
 D283,450 S * 4/1986 Campbell et al. D27/133
 D309,352 S * 7/1990 Harder et al. D27/135
 D370,300 S * 5/1996 Gottvald et al. D27/172
 5,673,709 A * 10/1997 Brothers 131/231
 D410,566 S * 6/1999 Bartolotta D27/188
 D412,373 S * 7/1999 Krawec et al. D27/190
 D452,750 S * 1/2002 Habibi et al. D27/138
 D496,753 S * 9/2004 Thornell et al. D27/105
 D540,979 S * 4/2007 Chen D27/148
 D616,602 S * 5/2010 Leeds et al. D27/102
 8,113,213 B2 * 2/2012 Pemberton 131/241
 D658,329 S * 4/2012 Katz D27/125
 2003/0098031 A1 * 5/2003 Hasler 131/242
 2005/0016552 A1 * 1/2005 Presnell et al. 131/231
 2006/0196924 A1 * 9/2006 Cabalu 232/43.2
 2008/0289641 A1 * 11/2008 Pemberton 131/231
 2009/0272390 A1 * 11/2009 Blondeel 131/231
 2013/0239982 A1 * 9/2013 Meyer 131/328
 2014/0102463 A1 * 4/2014 Jones 131/329

* cited by examiner

Primary Examiner — Susan Bennett Hattan

Assistant Examiner — Janice Hallmark

(74) *Attorney, Agent, or Firm* — QuickPatents; Kevin Prince

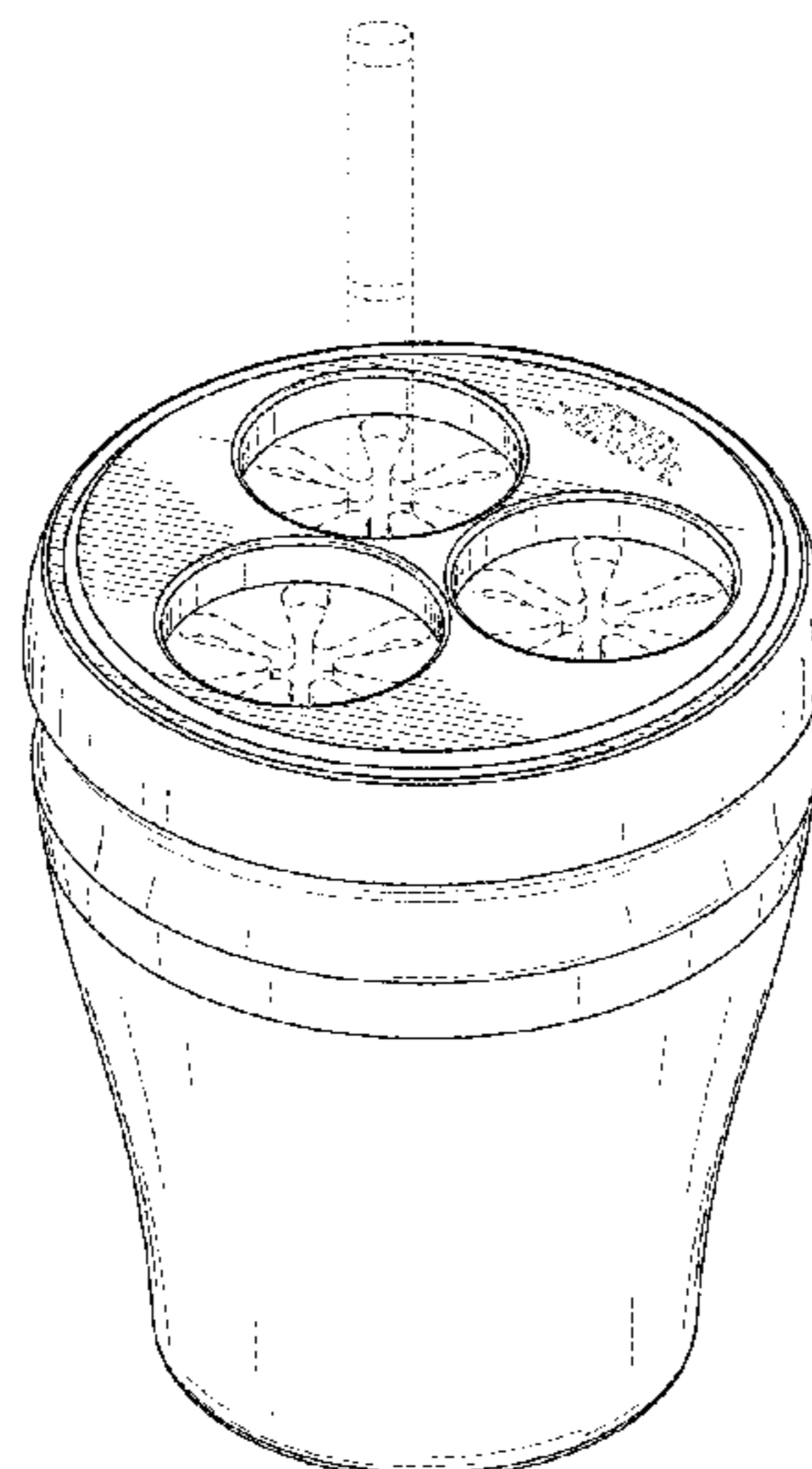
(57) **CLAIM**

We claim the ornamental design for an electronic cigarette cup holder, as shown and described.

DESCRIPTION

FIG. 1 is a perspective view of an electronic cigarette cup holder, showing our new design;
 FIG. 2 is a top plan view thereof;
 FIG. 3 is a front elevational view thereof, the rear elevational view, left-side elevational view, and right-side elevational view all being identical thereto; and,
 FIG. 4 is a bottom plan view thereof.
 The broken lines depicting an electronic cigarette in FIG. 1 and rubber gaskets and a logo in FIGS. 1 and 2 depict environmental matter and form no part of the claimed design.

1 Claim, 2 Drawing Sheets



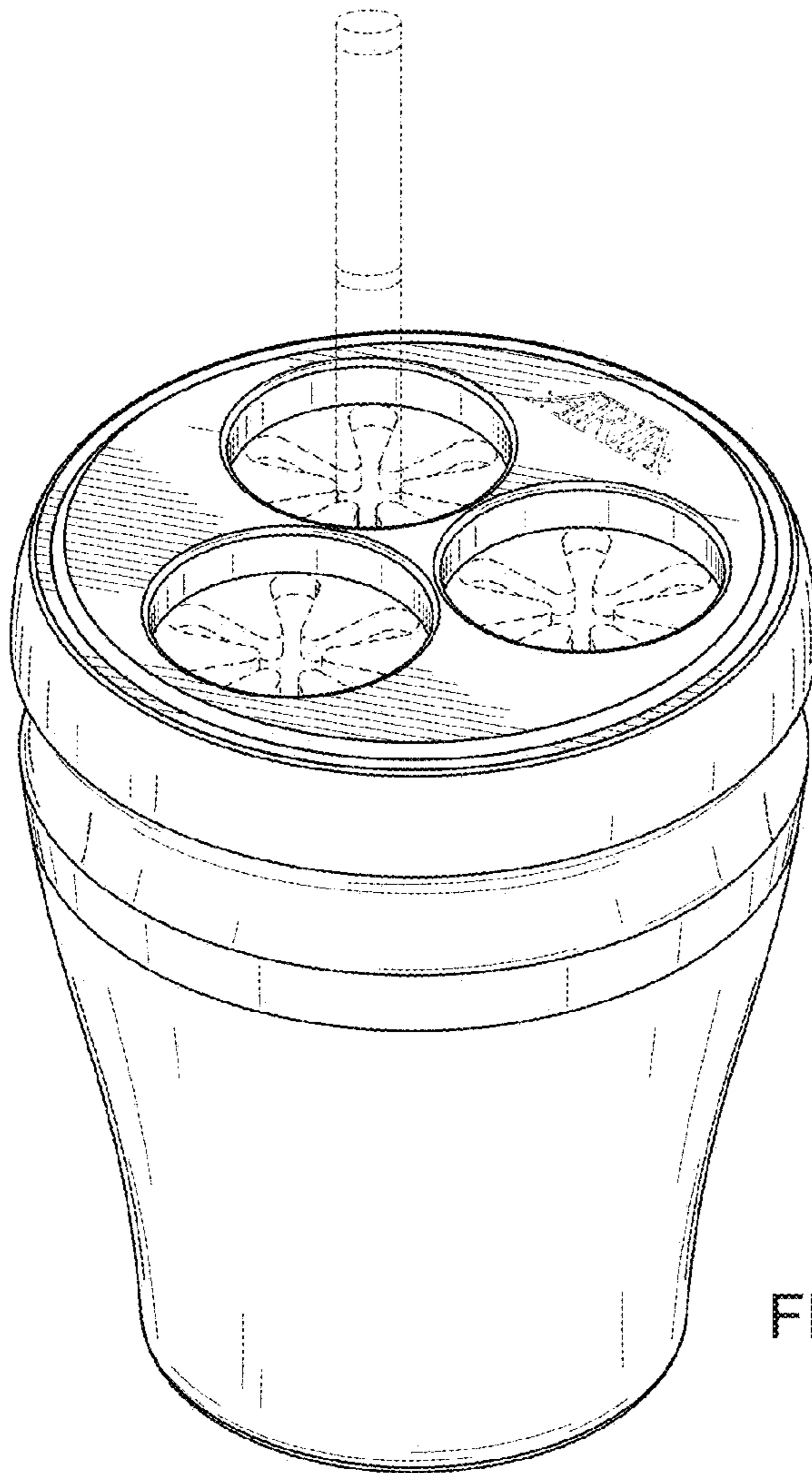


FIG. 1

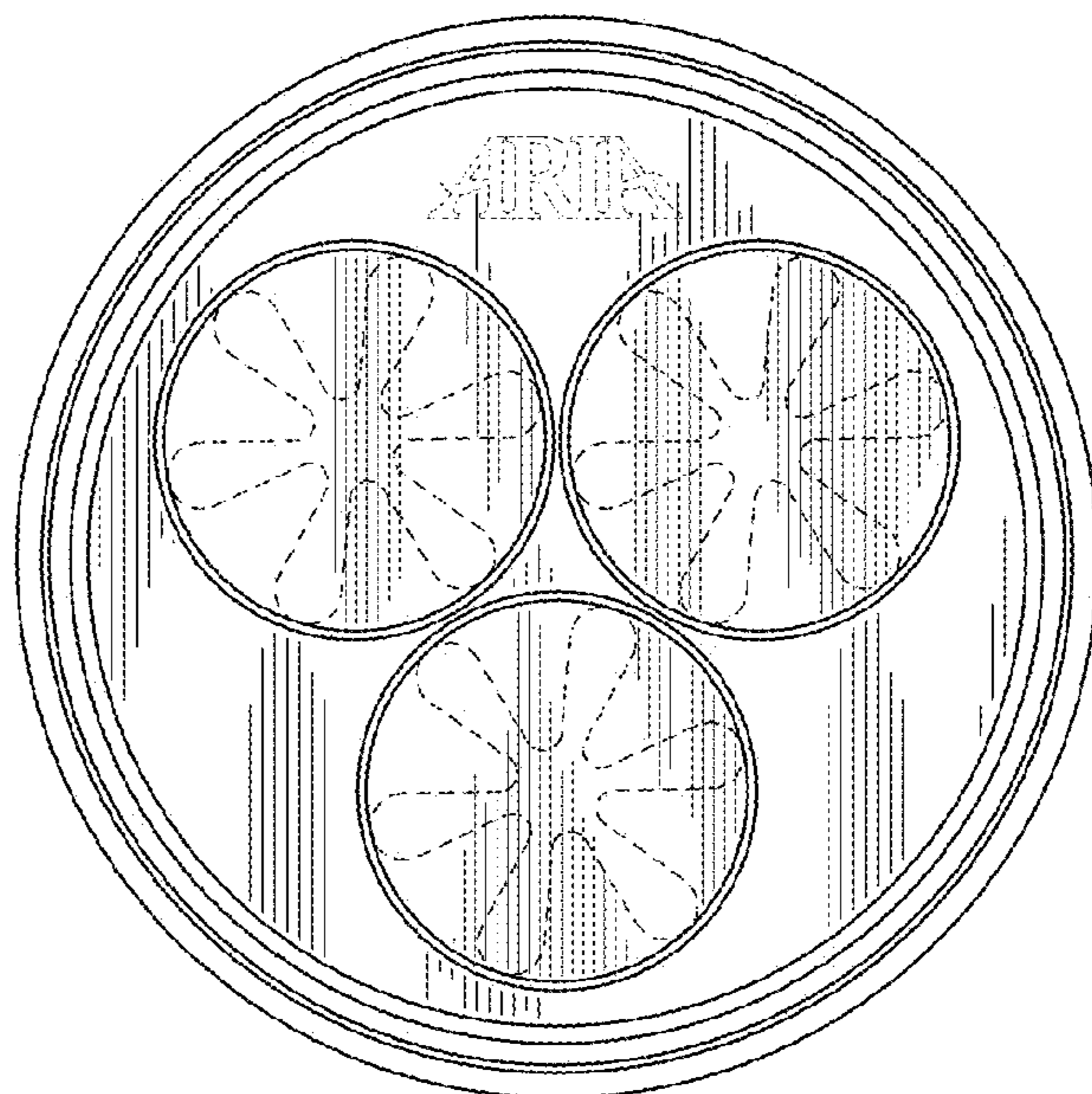


FIG. 2

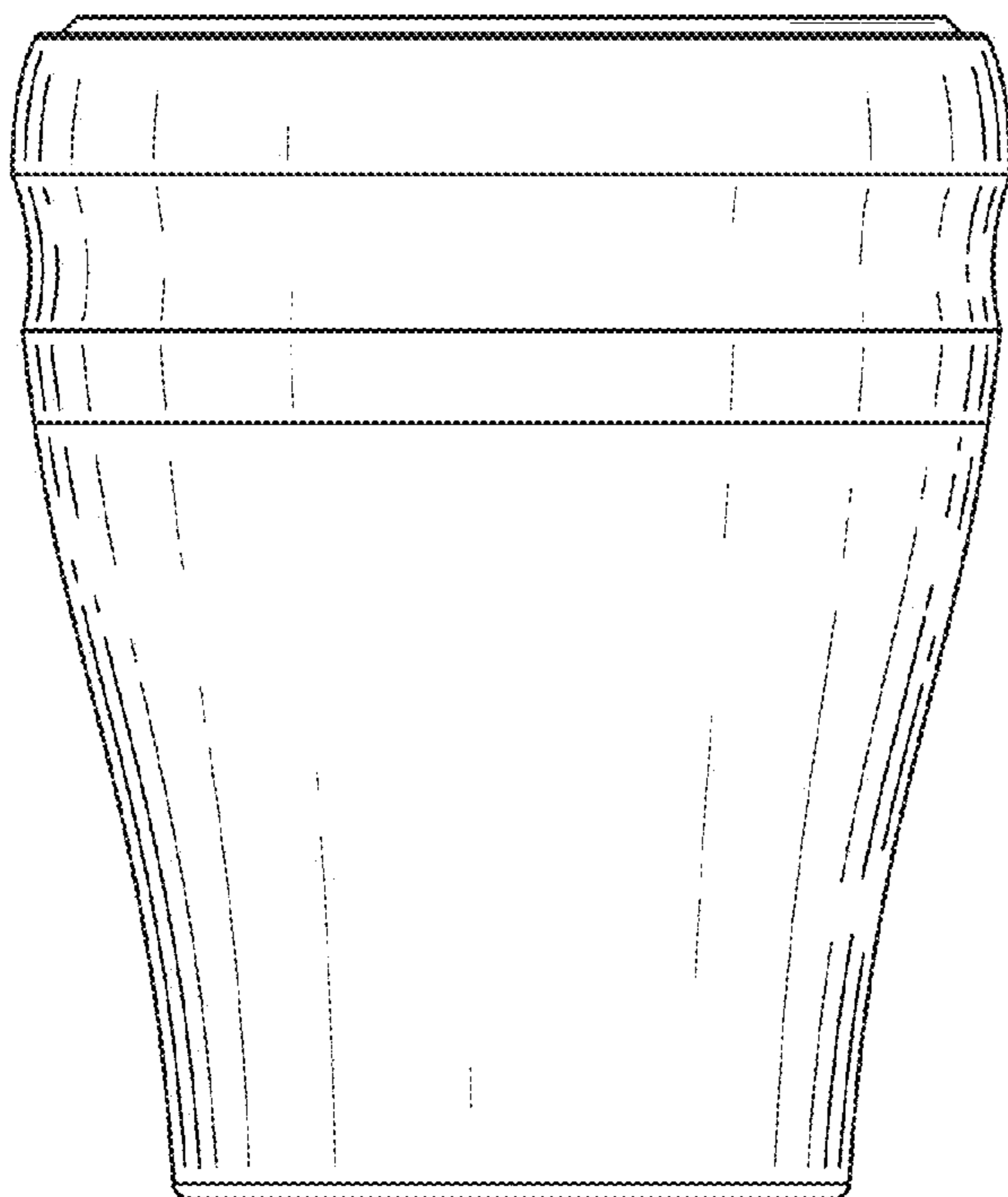


FIG. 3

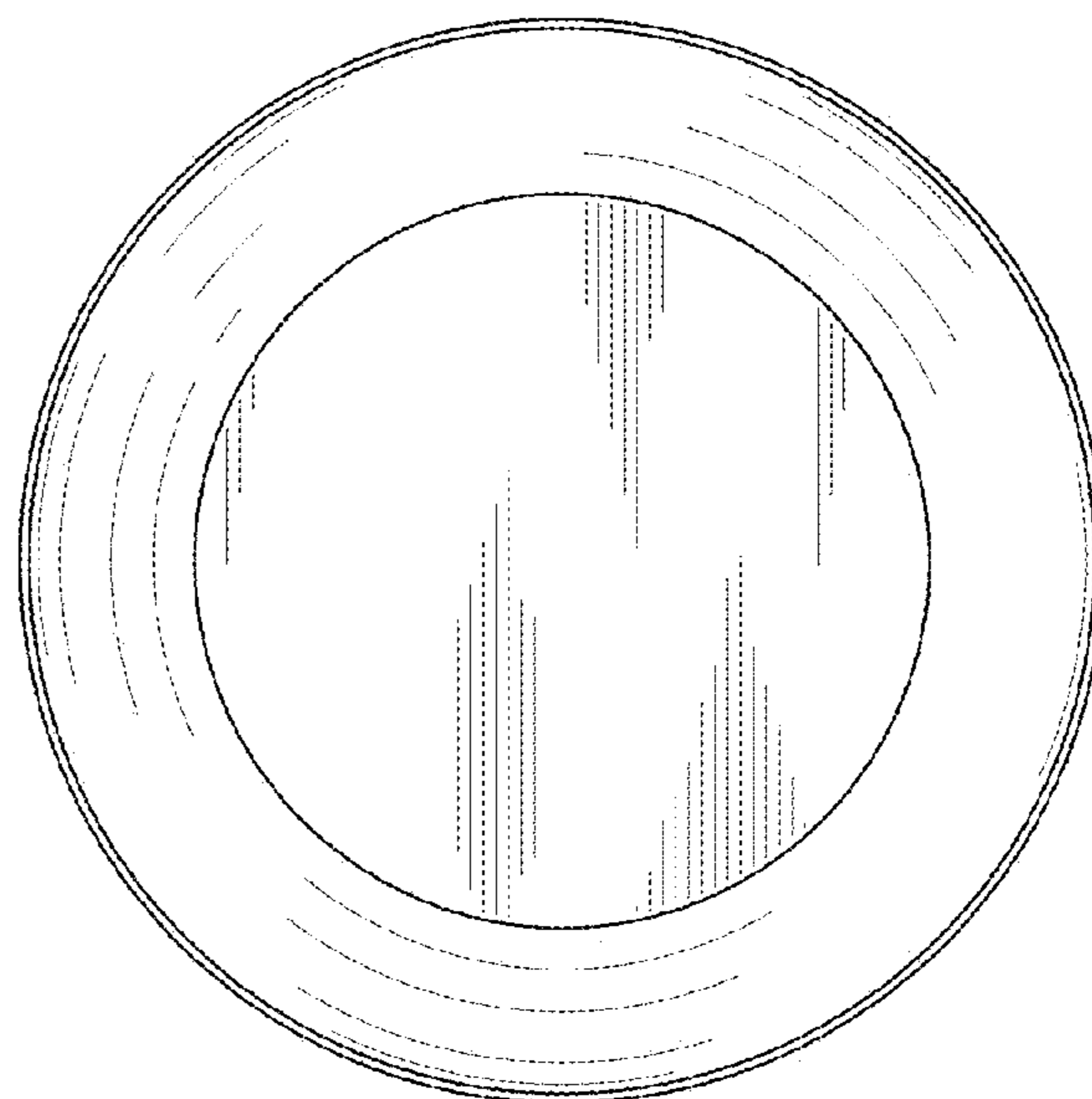


FIG. 4