



US00D737499S

(12) **United States Design Patent**
Motoyanagi

(10) **Patent No.:** **US D737,499 S**
(45) **Date of Patent:** **** Aug. 25, 2015**

(54) **LENS FOR LIGHT-EMITTING DIODE**

FOREIGN PATENT DOCUMENTS

(71) Applicant: **ASAHI RUBBER INC.**, Saitama-shi,
Saitama (JP)

JP 2009-44016 2/2009
JP 1355257 3/2009

(Continued)

(72) Inventor: **Takayuki Motoyanagi**, Saitama (JP)

Primary Examiner — Kevin Rudzinski

(73) Assignee: **ASAHI RUBBER INC.**, Saitama-Shi,
Saitama (JP)

(74) *Attorney, Agent, or Firm* — Lowe Hauptman & Ham,
LLP

(**) Term: **14 Years**

(57) **CLAIM**

The ornamental design for lens for light-emitting diode, as shown and described.

(21) Appl. No.: **29/443,113**

DESCRIPTION

(22) Filed: **Jan. 14, 2013**

(30) **Foreign Application Priority Data**

Jul. 13, 2012 (JP) 2012-016818
Jul. 13, 2012 (JP) 2012-016819
Jul. 13, 2012 (JP) 2012-016820

FIG. 1 is a front view of a lens for light-emitting diode showing my design;

FIG. 2 is a rear view of the lens for light-emitting diode of FIG. 1;

FIG. 3 is a right side view of the lens for light-emitting diode of FIG. 1;

FIG. 4 is a top view of the lens for light-emitting diode of FIG. 1;

FIG. 5 is a bottom view of the lens for light-emitting diode of FIG. 1;

FIG. 6 is a sectional view taken along line 6-6 in FIG. 4;

FIG. 7 is a sectional view taken along line 7-7 in FIG. 4;

FIG. 8 is a sectional view taken along line 8-8 in FIG. 4;

FIG. 9 is a perspective view of the lens for light-emitting diode of FIG. 1 as viewed from the top;

FIG. 10 is a perspective view of the lens for light-emitting diode of FIG. 1 as viewed from the bottom; and,

FIG. 11 is a perspective view of the lens for light-emitting diode of FIG. 1 as viewed from the bottom to the center of which a light-emitting diode is attached in use.

My design relates to a lens for light-emitting diode and the lens is entirely transparent or translucent. The left side view of the design is omitted as it appears symmetrically against the right side view. The perspective view as viewed from the top shows the part as seen through when the lens is transparent. The broken lines illustrating the portions of the lens for light-emitting diode and light emitting diode form no part of the claimed design.

(51) **LOC (10) Cl.** **26-99**

(52) **U.S. Cl.**
USPC **D26/120**

(58) **Field of Classification Search**
USPC D26/120, 113, 118, 119, 121, 122, 124,
D26/125, 128, 64, 24, 93, 76, 44, 63
CPC F21Y 201/02; F21Y 2103/003; F21Y
2105/001; F21Y 2105/003; F21Y 2105/008;
F21Y 2111/001; F21Y 2113/007; F21V 5/04;
F21V 5/004; F21V 5/045; F21V 7/041;
F21W 2131/103; F21K 9/00

See application file for complete search history.

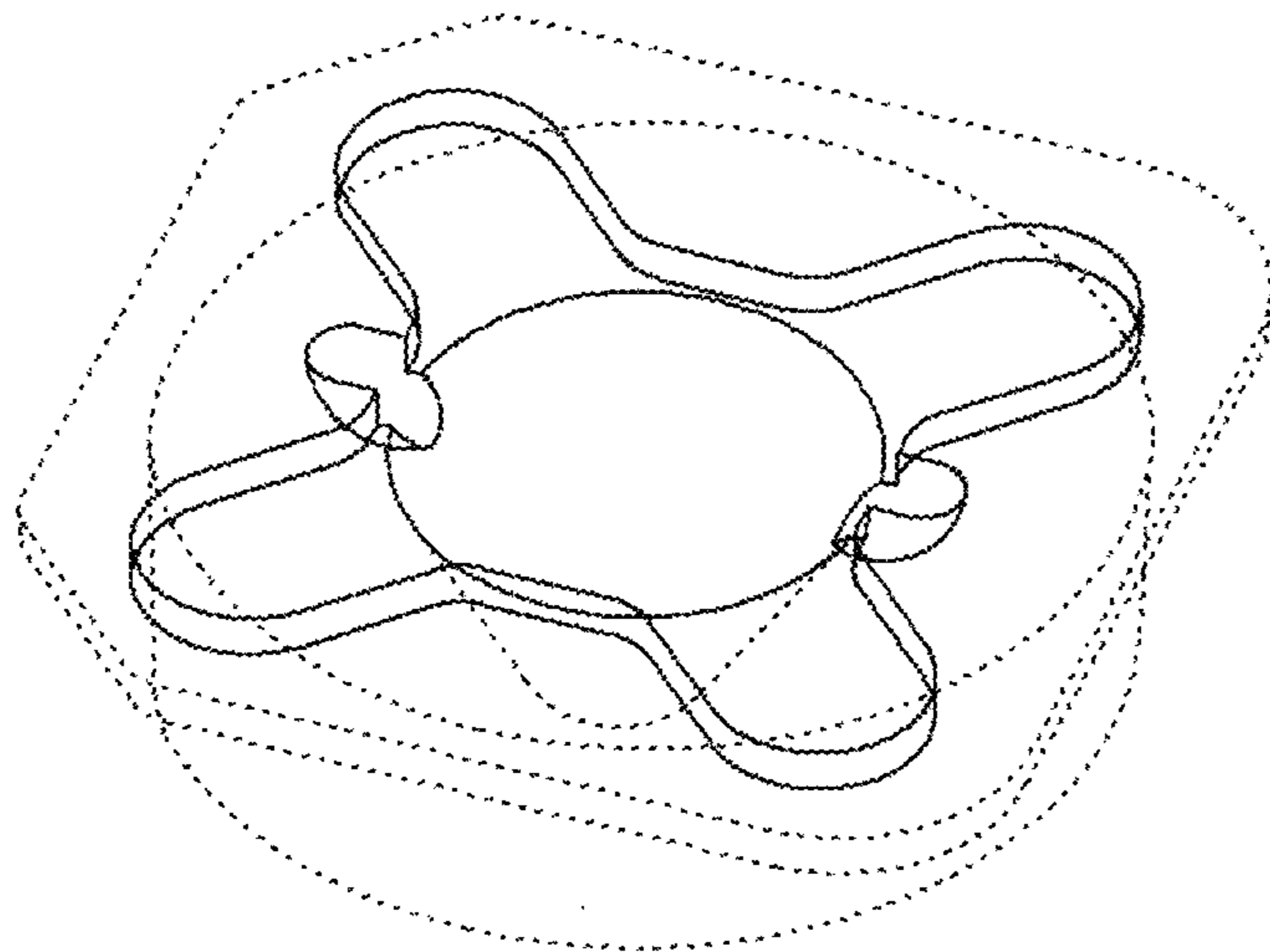
(56) **References Cited**

U.S. PATENT DOCUMENTS

7,045,905 B2 * 5/2006 Nakashima 257/787
D536,309 S * 2/2007 Muguruma et al. D13/180

(Continued)

1 Claim, 5 Drawing Sheets



(56)

References Cited

U.S. PATENT DOCUMENTS

D569,353 S * 5/2008 Tokuda et al. D13/180
 D573,554 S * 7/2008 Kobayakawa D13/180
 D619,633 S * 7/2010 Chen et al. D16/135
 D619,753 S * 7/2010 Zhang et al. D26/120
 D620,635 S * 7/2010 Chen et al. D26/124
 7,800,124 B2 * 9/2010 Urano et al. 257/98
 D629,767 S * 12/2010 Shimizu et al. D13/180
 8,035,899 B2 * 10/2011 Lin et al. 359/649
 D656,469 S * 3/2012 Shimizu et al. D13/180
 D662,901 S * 7/2012 Tokuda et al. D13/180
 D666,353 S * 8/2012 Lin et al. D26/124
 8,292,474 B2 * 10/2012 Ho et al. 362/335
 8,337,053 B2 * 12/2012 Chen et al. 362/311.06
 D676,003 S * 2/2013 Takeda et al. D13/180
 8,368,093 B2 * 2/2013 Chen et al. 257/95
 8,382,338 B2 * 2/2013 Lee 362/311.06
 8,545,058 B2 * 10/2013 Chen et al. 362/268
 D697,642 S * 1/2014 Amari et al. D26/1

D708,387 S * 7/2014 Castillo D26/120
 8,764,240 B2 * 7/2014 Veenstra et al. 362/267
 2007/0080354 A1 * 4/2007 Lin et al. 257/79
 2007/0262328 A1 * 11/2007 Bando 257/79
 2007/0279904 A1 * 12/2007 Tasch et al. 362/235
 2008/0080187 A1 * 4/2008 Purinton 362/294
 2008/0100773 A1 * 5/2008 Hwang et al. 349/62
 2009/0052192 A1 2/2009 Kokubo et al.
 2010/0014286 A1 * 1/2010 Yoneda et al. 362/231
 2010/0039810 A1 * 2/2010 Holder et al. 362/235
 2010/0059782 A1 * 3/2010 Fujitomo et al. 257/98
 2010/0271708 A1 * 10/2010 Wilcox 359/654
 2011/0080725 A1 * 4/2011 Brands et al. 362/187

FOREIGN PATENT DOCUMENTS

JP 2010-519757 6/2010
 JP 1445155 6/2012
 JP 1445415 6/2012
 WO 2008/104936 9/2008

* cited by examiner

FIG. 1

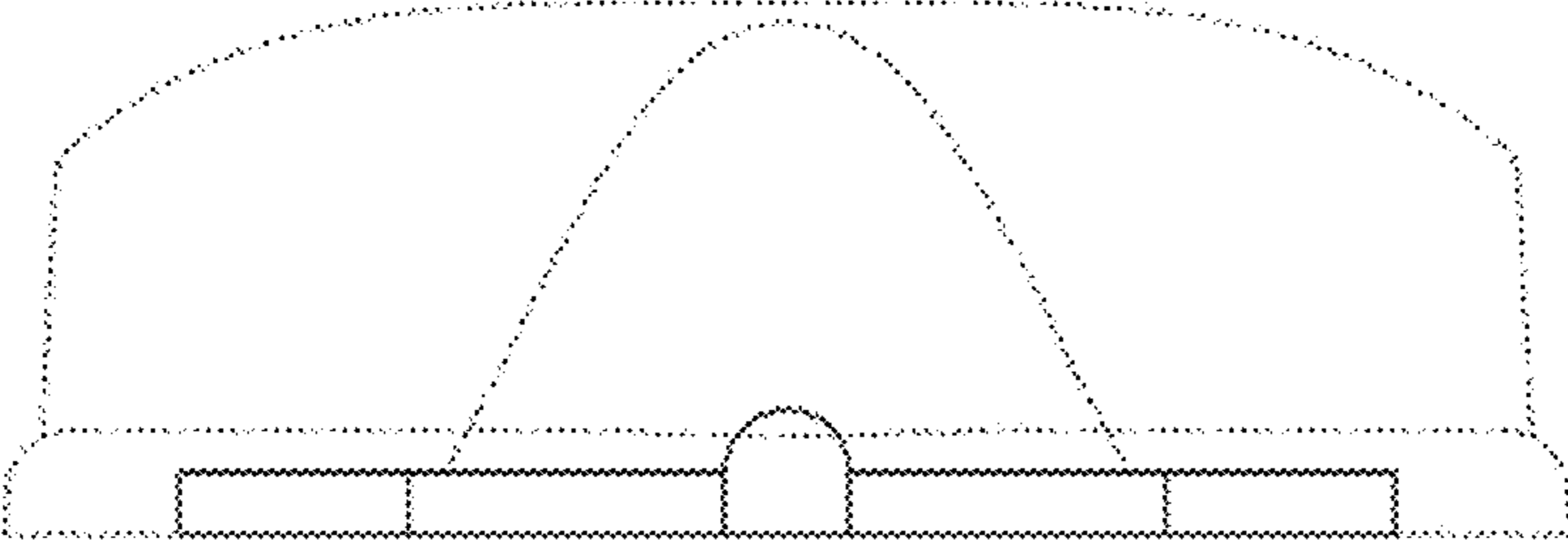


FIG. 2

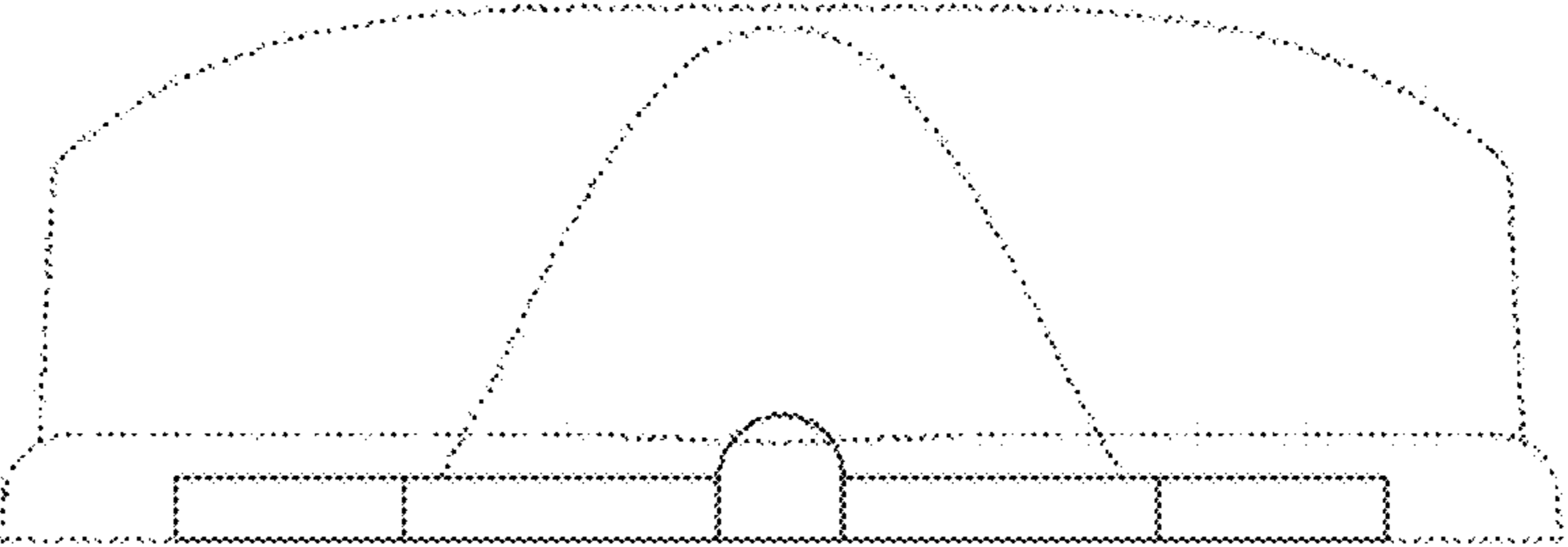


FIG. 3

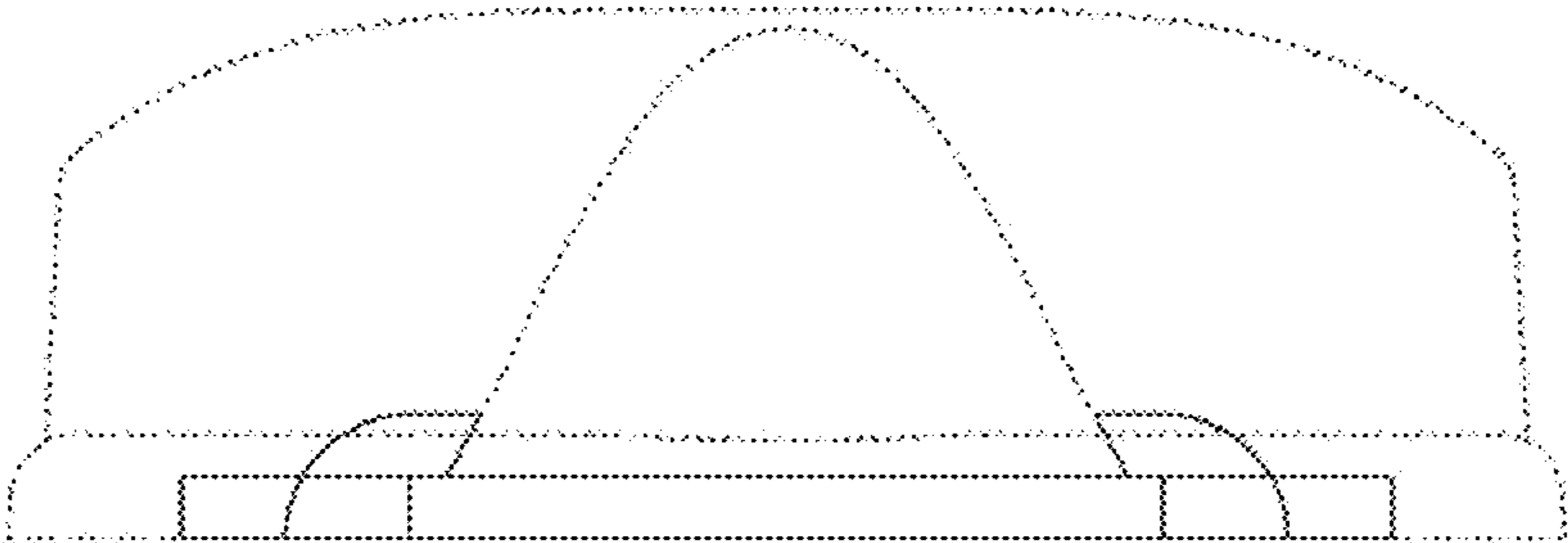


FIG. 4

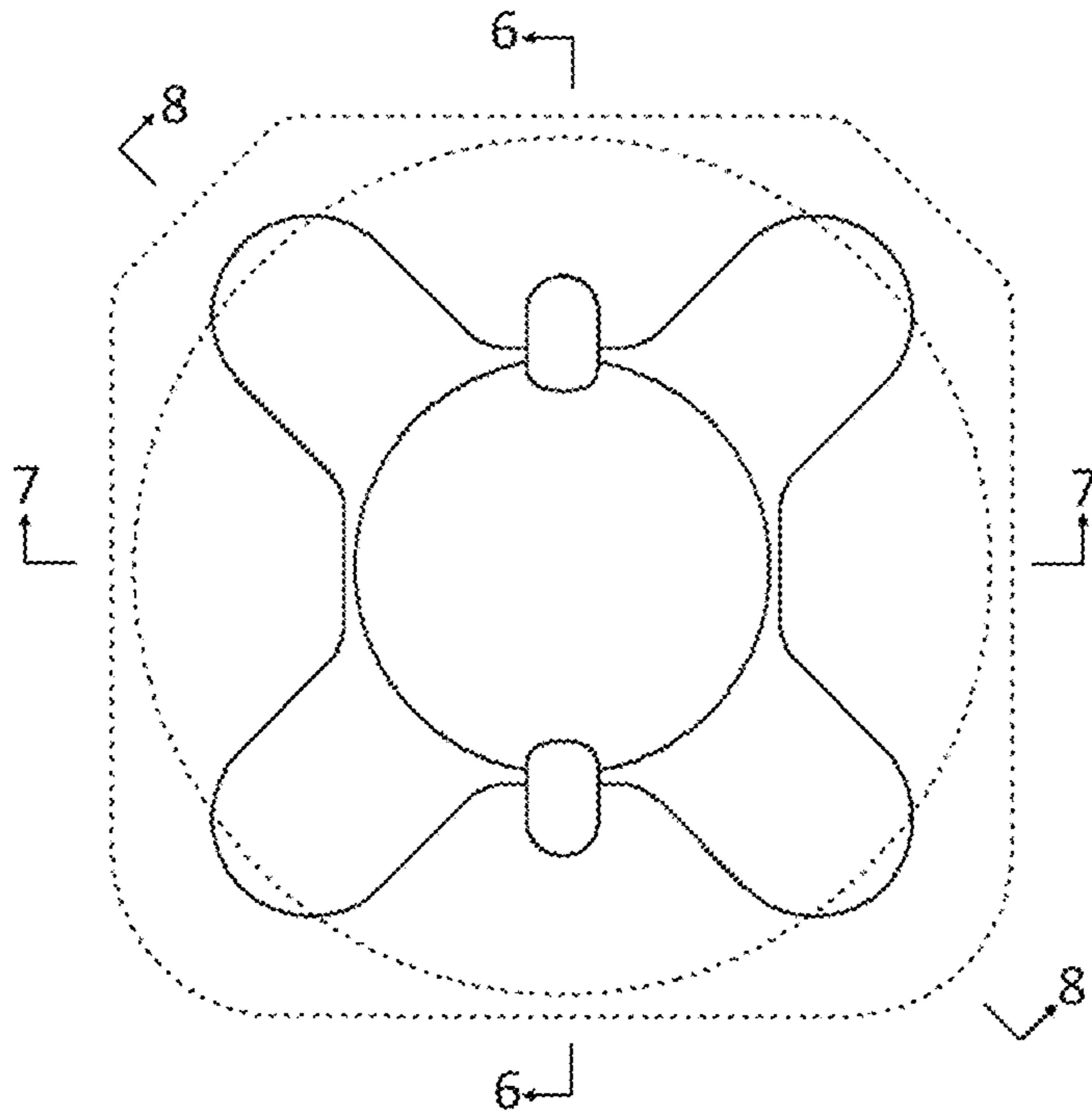


FIG. 5

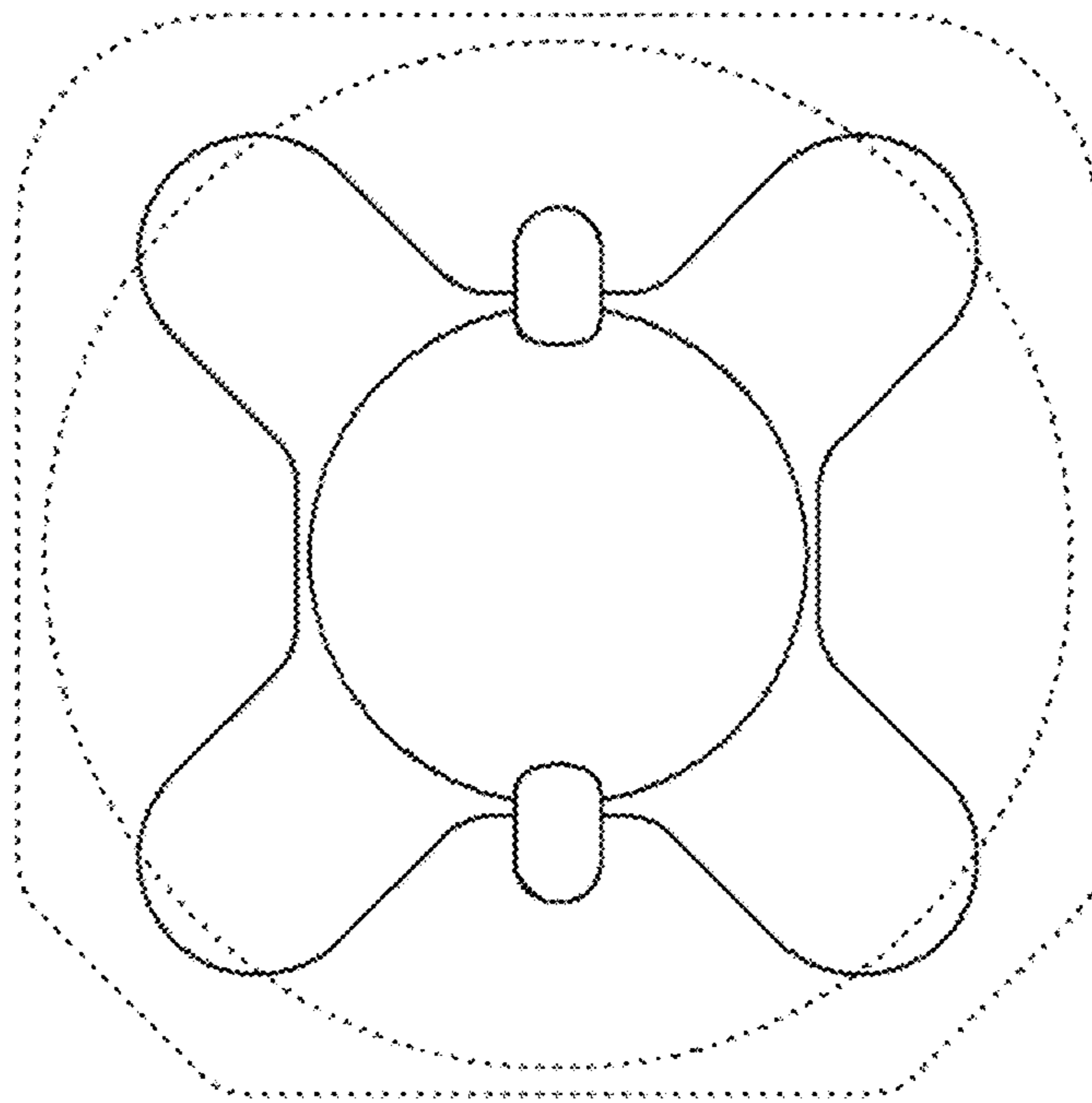


FIG. 6

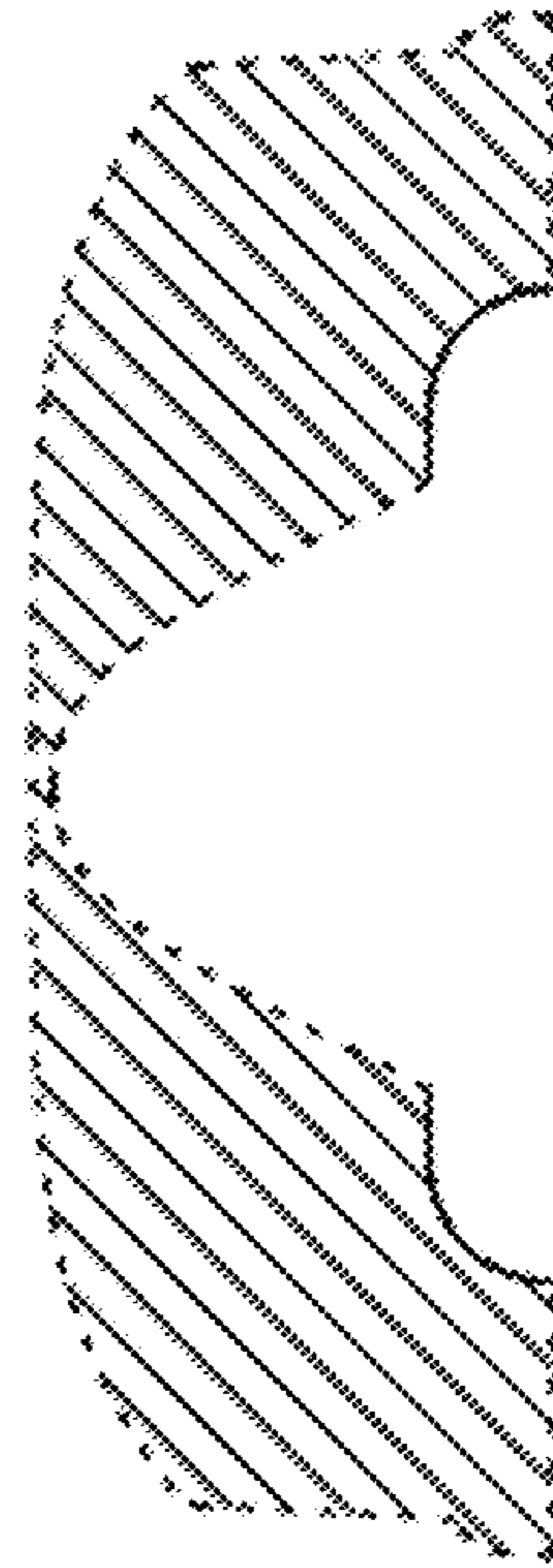


FIG. 7

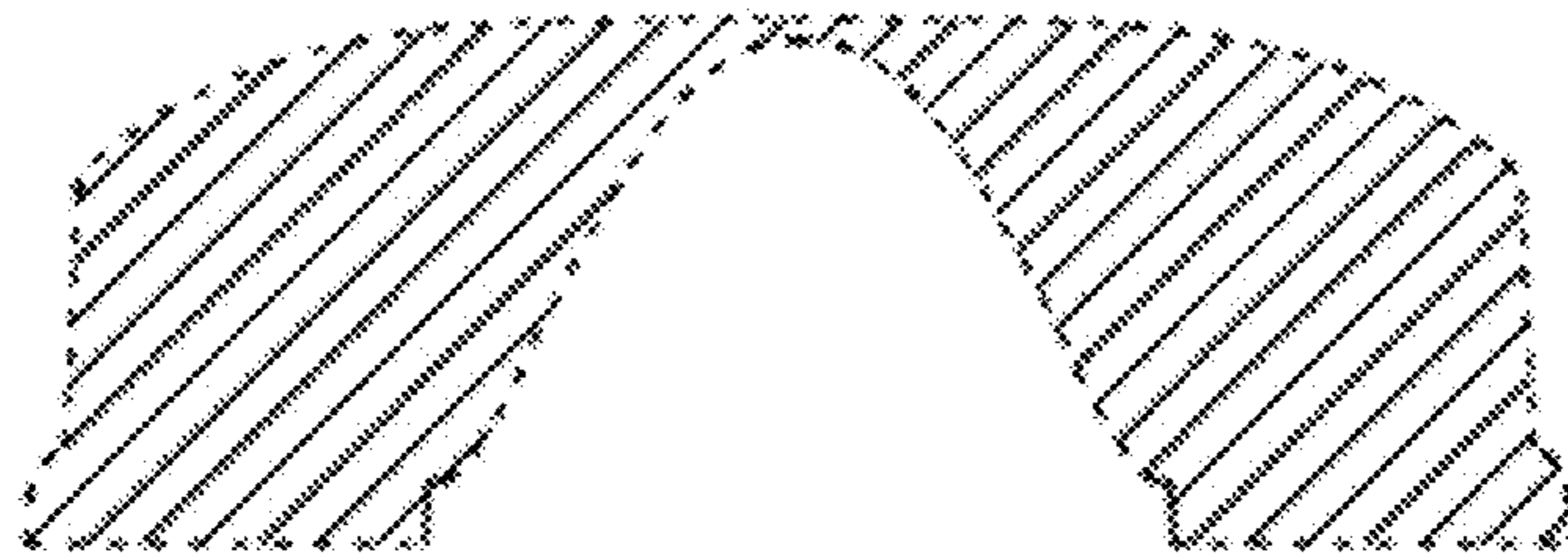


FIG. 8

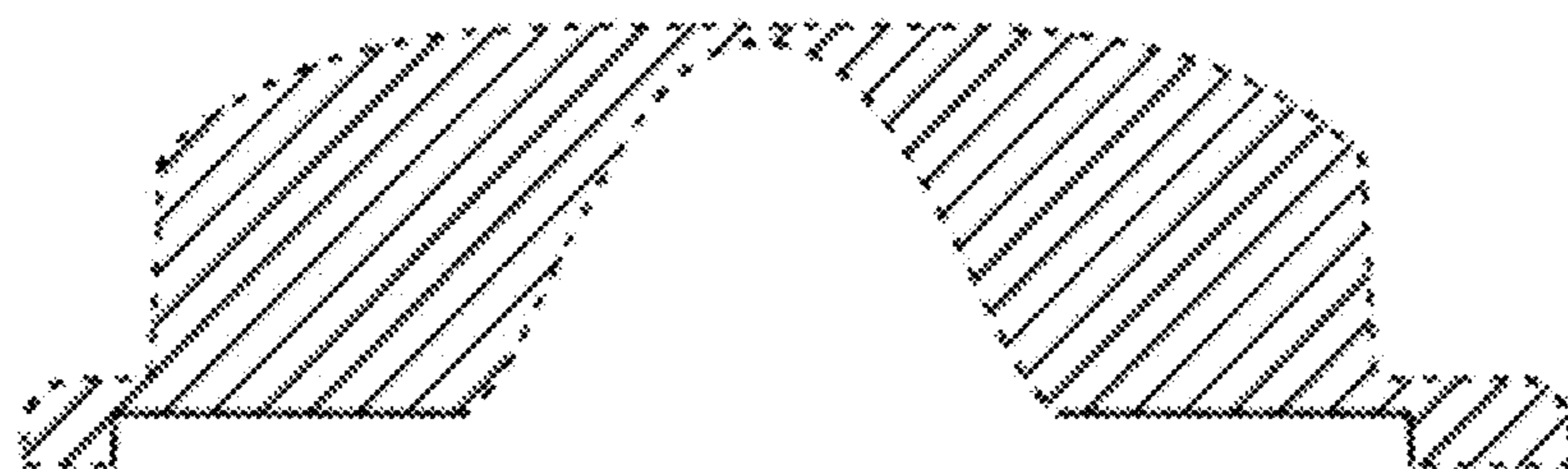


FIG. 9

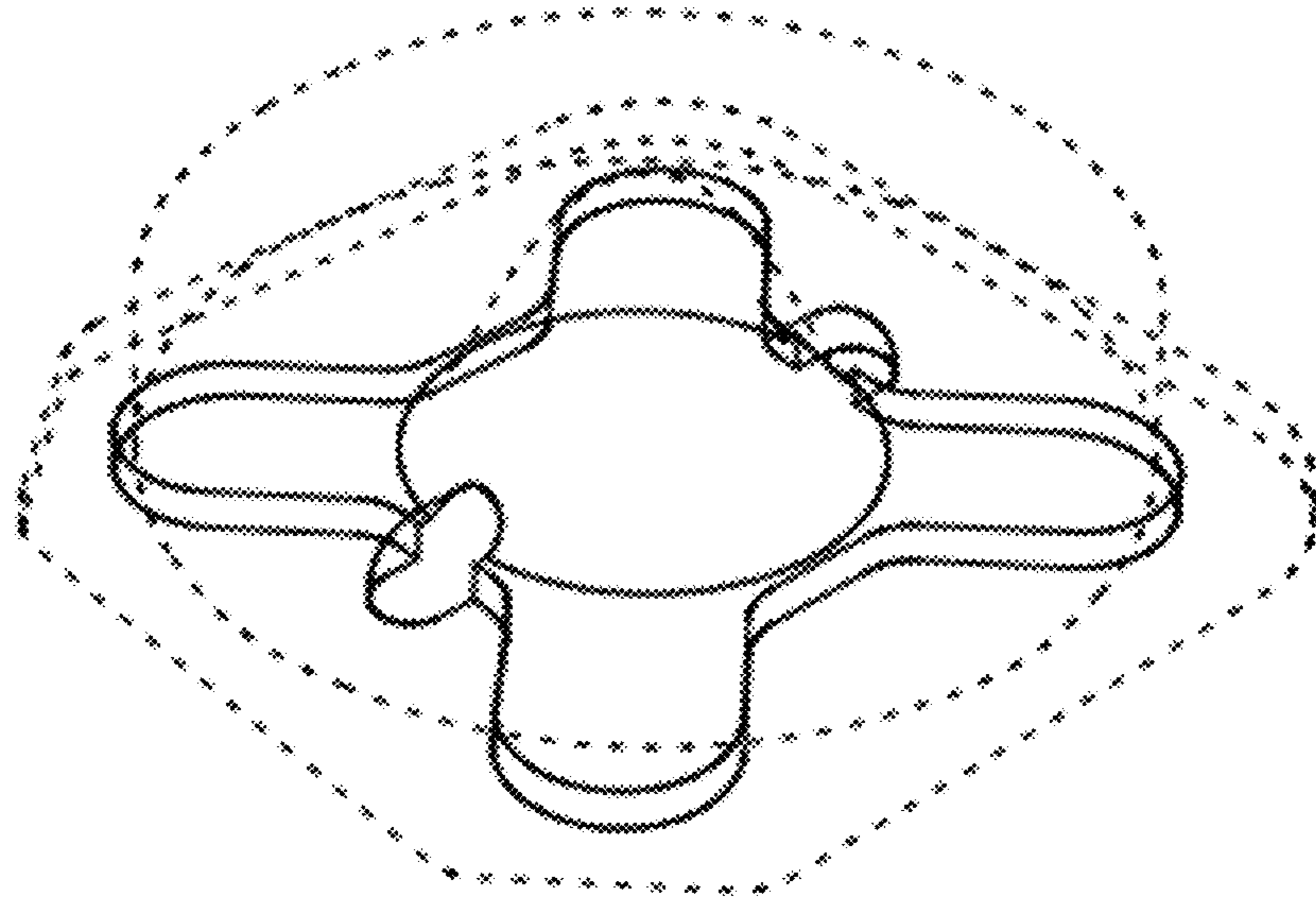


FIG. 10

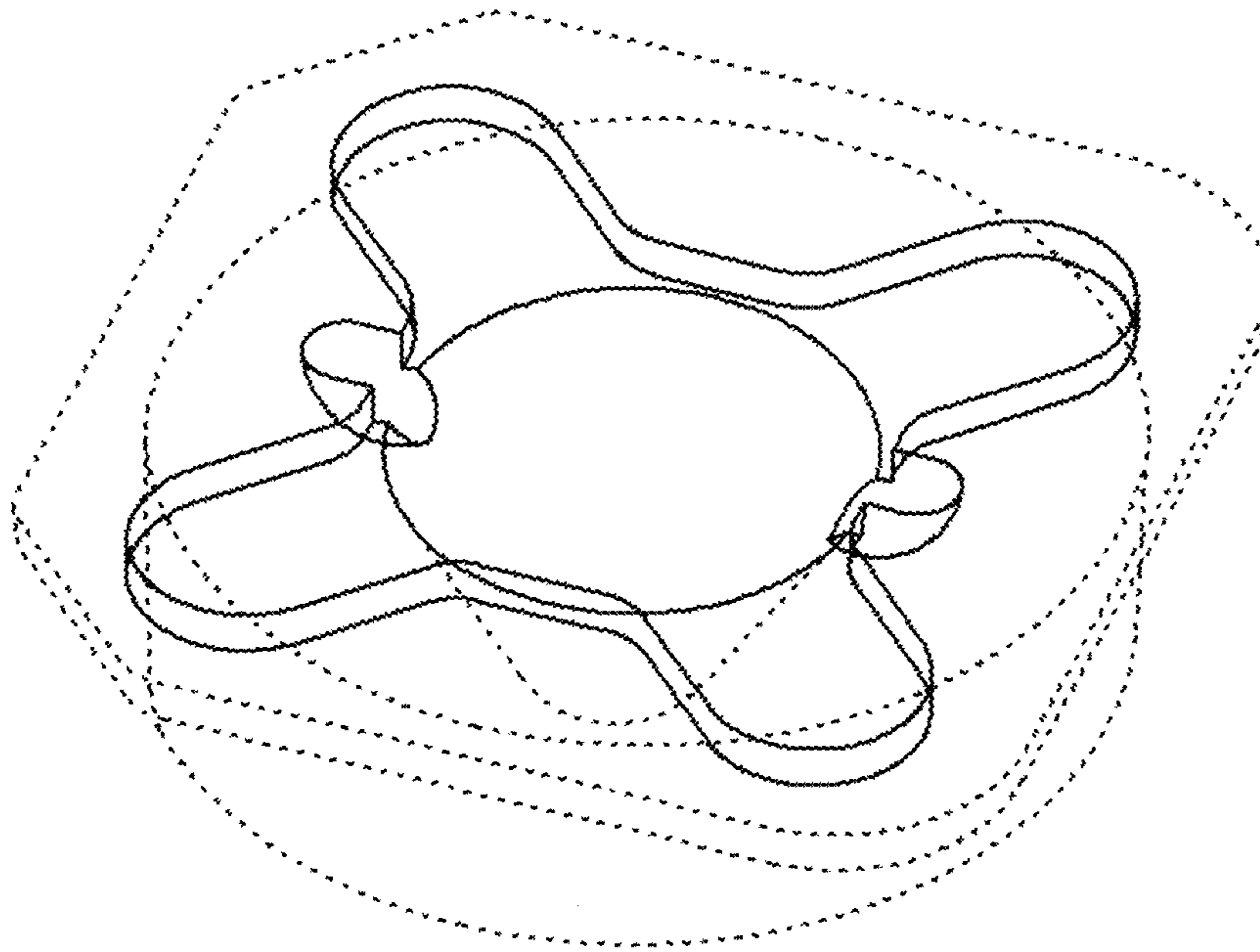


FIG. 11

