



US00D737498S

(12) **United States Design Patent**
Stanley

(10) **Patent No.:** **US D737,498 S**
(45) **Date of Patent:** **** Aug. 25, 2015**

(54) **HORTICULTURE GROW LIGHT FIXTURE**

FOREIGN PATENT DOCUMENTS

(71) Applicant: **IP Holdings, LLC**, Vancouver, WA (US)

CA 2034710 8/1991
CA 1314529 3/1993

(72) Inventor: **John Stanley**, Vancouver, WA (US)

(Continued)

(73) Assignee: **IP Holdings, LLC**, Vancouver, WA (US)

OTHER PUBLICATIONS

(**) Term: **14 Years**

(21) Appl. No.: **29/477,993**

Apollo Horticulture GLRLS24 6" Inch Air Cooled Hydroponic Grow Light Glass Reflector Hood, image post date Oct. 15, 2010, site visited Oct. 3, 2014, (online), <http://www.amazon.com/Apollo-Horticulture-GLRLS24-Hydroponic-Reflector/dp/B00BMVK8HG/ref=cm_cd_ql_qh_dp_i>.*

(22) Filed: **Dec. 30, 2013**

Primary Examiner — Kevin Rudzinski

Assistant Examiner — Sean D Lough

(74) *Attorney, Agent, or Firm* — J. Douglas Wells

Related U.S. Application Data

(63) Continuation of application No. 29/458,595, filed on Jun. 20, 2013, now Pat. No. Des. 698,987.

(51) **LOC (10) Cl.** **26-99**

(52) **U.S. Cl.**

USPC **D26/118**

(58) **Field of Classification Search**

USPC D26/9, 10, 12, 13, 15, 16, 51, 61, 72,

D26/76, 80, 81, 85, 86, 88, 90, 113, 118,

D26/119, 120, 122, 128, 129, 138, 143, 144

See application file for complete search history.

(57) **CLAIM**

The ornamental design for a horticulture grow light fixture, as shown and described.

DESCRIPTION

FIG. 1 is a perspective view of a horticulture grow light fixture, as viewed from below, showing my new design;

FIG. 2 is a perspective view of the light fixture shown in FIG. 1, as viewed from above;

FIG. 3 is a left side view of the light fixture shown in FIG. 1;

FIG. 4 is a right side view of the light fixture shown in FIG. 1;

FIG. 5 is a front elevation view of the light fixture shown in FIG. 1;

FIG. 6 is a rear elevation view of the light fixture shown in FIG. 1;

FIG. 7 is a top plan view of the light fixture shown in FIG. 1; and,

FIG. 8 is a bottom plan view of the light fixture shown in FIG. 1.

The broken-line disclosure shown in the views is understood to represent portions of the article in which the claimed design is embodied, but which form no part of the claimed design.

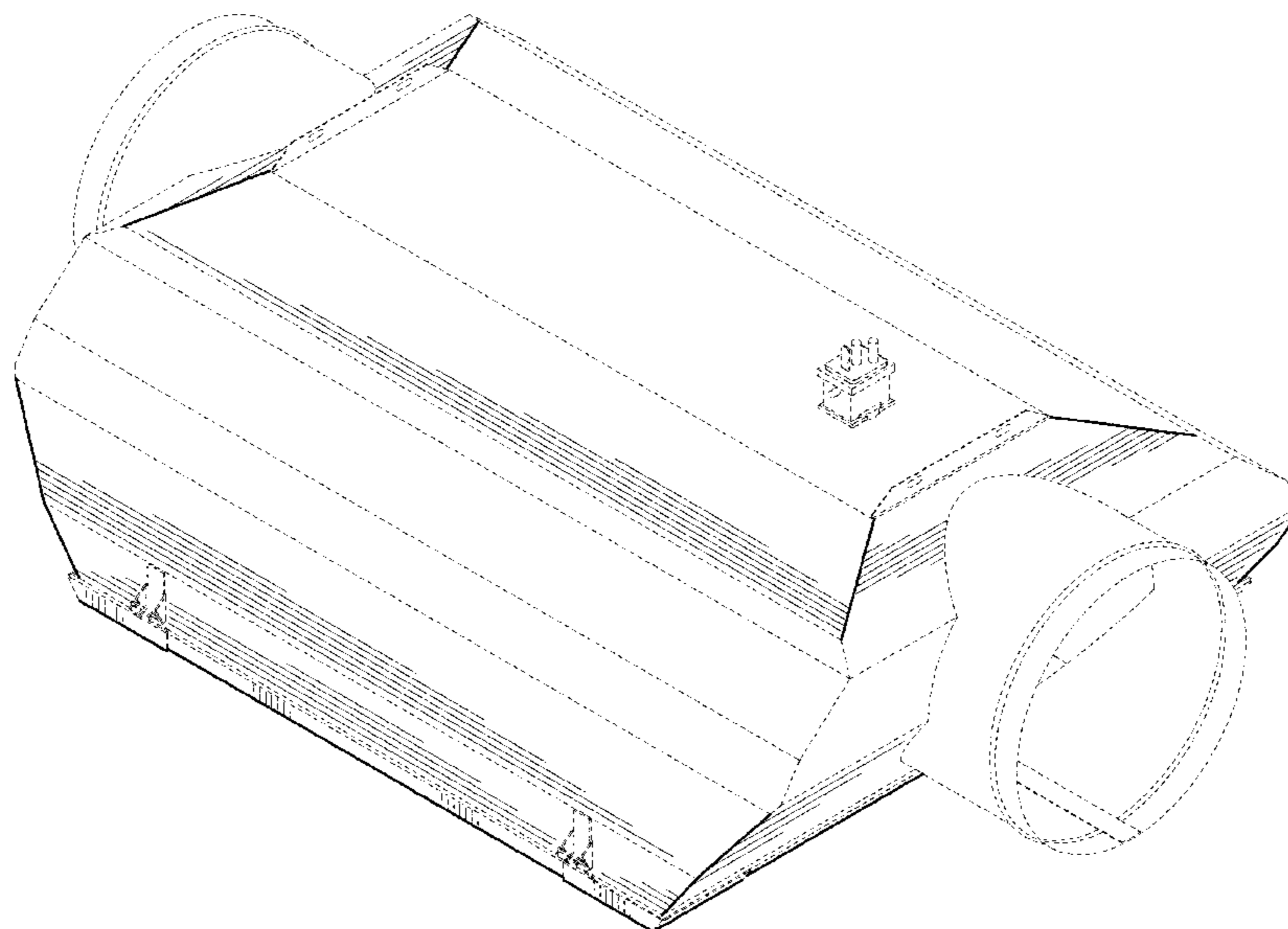
(56) **References Cited**

U.S. PATENT DOCUMENTS

D123,768 S	12/1940	Scribner
3,272,978 A	9/1966	Jackson
4,531,180 A	7/1985	Hernandez
4,933,821 A	6/1990	Anderson
4,939,629 A	7/1990	Glanton et al.
D311,597 S	10/1990	Poot

(Continued)

1 Claim, 6 Drawing Sheets



(56)

References Cited

U.S. PATENT DOCUMENTS

4,970,428 A 11/1990 Hayakawa et al.
 4,980,809 A 12/1990 Baldwin et al.
 5,065,294 A 11/1991 Poot, Jr.
 5,461,554 A 10/1995 Leonetti et al.
 5,486,737 A 1/1996 Hrubowchak et al.
 5,510,676 A 4/1996 Cottaar et al.
 5,698,947 A 12/1997 Choi
 5,896,004 A 4/1999 Feldman et al.
 5,932,955 A 8/1999 Berger et al.
 5,983,564 A 11/1999 Stragnola
 5,987,697 A 11/1999 Song et al.
 6,042,250 A 3/2000 Stragnola
 6,051,927 A 4/2000 Graser et al.
 6,076,944 A 6/2000 Maranon
 6,094,919 A 8/2000 Bhatia
 6,111,739 A 8/2000 Wu et al.
 6,152,579 A 11/2000 Reed et al.
 6,230,497 B1 5/2001 Morris et al.
 6,343,984 B1 2/2002 Langdon et al.
 D456,938 S * 5/2002 Wardenburg D26/118
 D459,825 S 7/2002 Field
 D469,564 S 1/2003 Brok
 6,527,422 B1 * 3/2003 Hutchison 362/373
 6,595,662 B2 * 7/2003 Wardenburg 362/362
 6,601,972 B2 8/2003 Sei et al.
 6,729,383 B1 5/2004 Cannell et al.
 6,783,263 B1 8/2004 Cronk
 6,885,134 B2 4/2005 Kurashima et al.
 7,156,539 B2 1/2007 Cronk
 7,175,309 B2 2/2007 Craw et al.
 D542,460 S * 5/2007 Hargreaves D26/118
 D543,652 S * 5/2007 Hargreaves D26/76
 D543,654 S 5/2007 Hargreaves
 D544,139 S 6/2007 Hargreaves
 D544,626 S 6/2007 Hargreaves
 D544,983 S 6/2007 Hargreaves
 D544,984 S 6/2007 Hargreaves
 D544,985 S 6/2007 Hargreaves
 D544,987 S * 6/2007 Hargreaves D26/88
 D544,994 S * 6/2007 Hargreaves D26/118
 D544,995 S * 6/2007 Hargreaves D26/118
 D545,484 S * 6/2007 Hargreaves D26/118
 D545,485 S * 6/2007 Hargreaves D26/118

D545,994 S 7/2007 Hargreaves
 7,524,090 B2 * 4/2009 Hargreaves 362/294
 D603,087 S 10/2009 Mo et al.
 7,617,057 B2 11/2009 May et al.
 7,641,367 B2 * 1/2010 Hargreaves et al. 362/375
 D614,801 S 4/2010 Collins et al.
 7,722,228 B2 * 5/2010 Broer 362/373
 D634,060 S * 3/2011 Wardenburg D26/118
 D634,468 S * 3/2011 Hargreaves D26/118
 D634,469 S * 3/2011 Hargreaves D26/118
 D637,341 S * 5/2011 Wardenburg D26/118
 D637,752 S * 5/2011 Mekhtarian D26/72
 7,972,044 B2 7/2011 Burkhauser
 7,987,632 B2 8/2011 May et al.
 8,018,630 B2 9/2011 Herloski
 8,209,912 B2 * 7/2012 Hargreaves et al. 52/28
 8,334,640 B2 12/2012 Reed et al.
 D675,369 S 1/2013 Michaud
 8,371,726 B2 2/2013 Collins et al.
 D678,599 S * 3/2013 Boyer et al. D26/128
 D683,064 S 5/2013 Tuck
 D693,959 S * 11/2013 Boyer et al. D26/118
 D698,986 S * 2/2014 Reynolds D26/118
 D698,987 S * 2/2014 Stanley D26/118
 2006/0231081 A1 10/2006 Kirakosyan
 2007/0228993 A1 10/2007 Stuer et al.
 2008/0117617 A1 5/2008 Hargreaves et al.
 2008/0205030 A1 * 8/2008 Hargreaves 362/1
 2008/0205071 A1 * 8/2008 Townsley 362/373
 2008/0278950 A1 11/2008 Pickard et al.
 2009/0231840 A1 9/2009 Boehme et al.
 2009/0262540 A1 * 10/2009 Hargreaves et al. 362/362
 2010/0302768 A1 12/2010 Collins et al.
 2012/0230035 A1 9/2012 Bradley, Jr. et al.
 2013/0083539 A1 4/2013 Dimitriadis
 2013/0155685 A1 6/2013 Stanley

FOREIGN PATENT DOCUMENTS

EP 0325003 7/1989
 EP 0440274 8/1991
 WO 02063210 8/2002
 WO 2008018000 2/2008
 WO 2009096775 8/2009
 WO 2011119451 9/2011

* cited by examiner

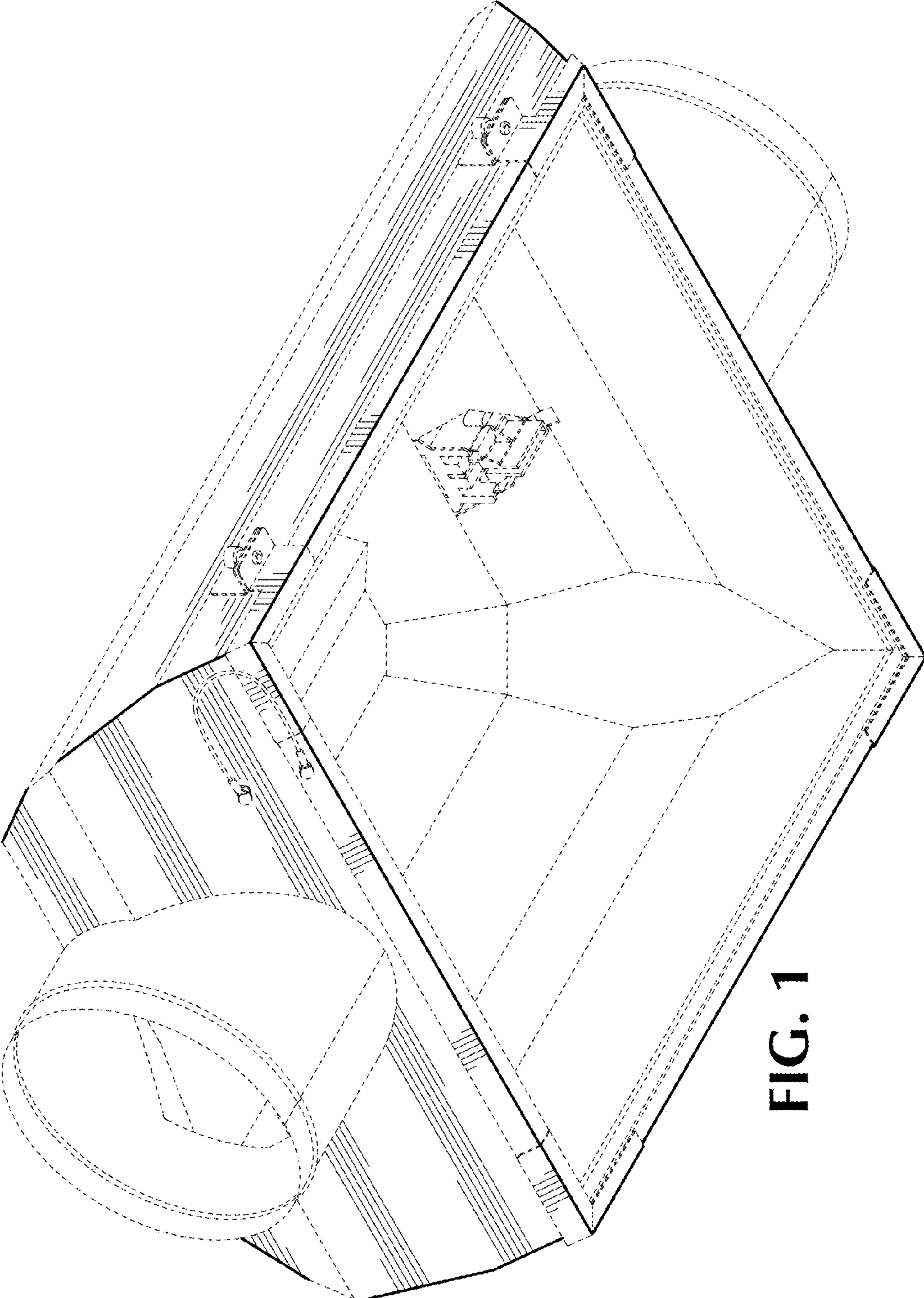


FIG. 1

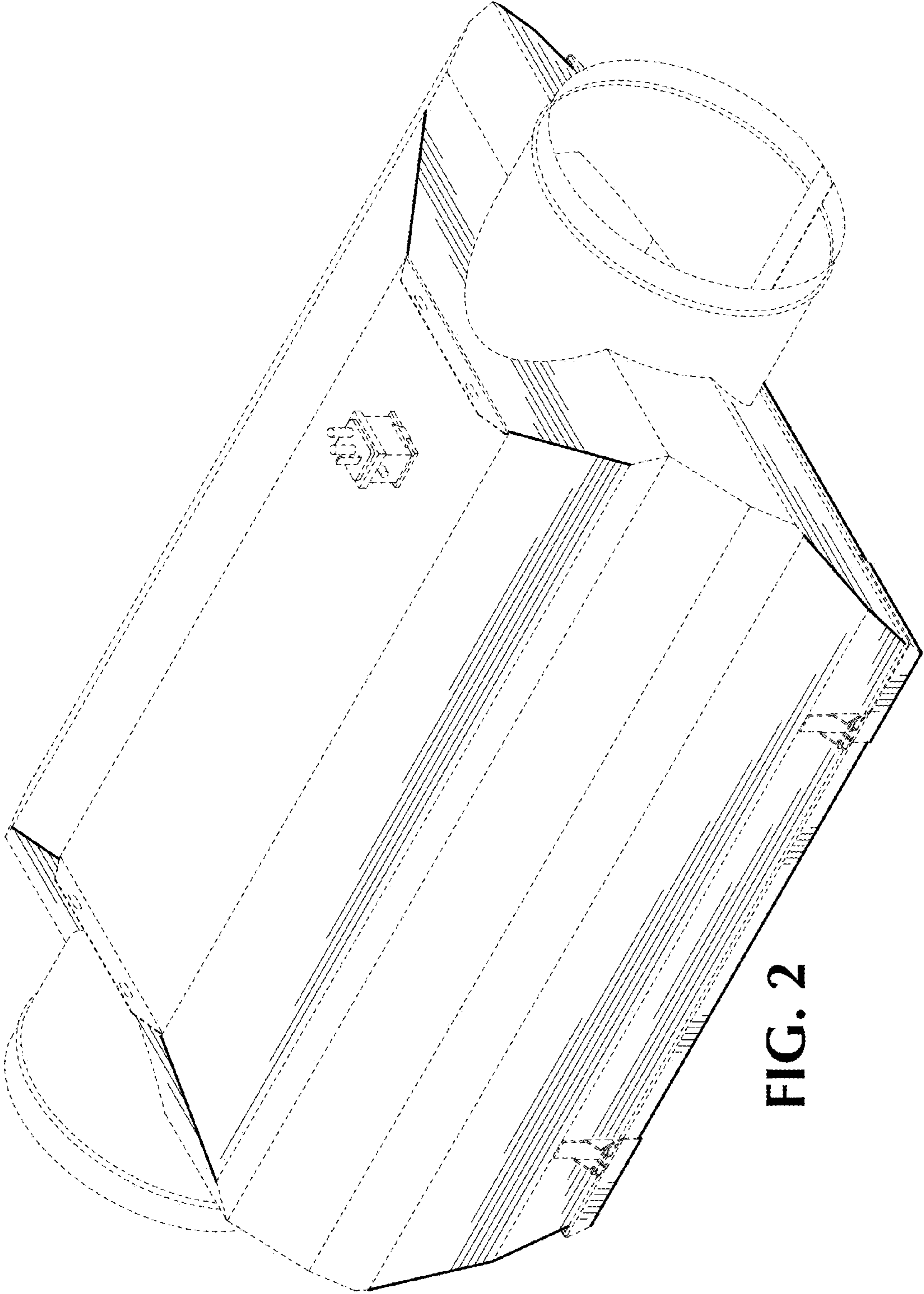


FIG. 2

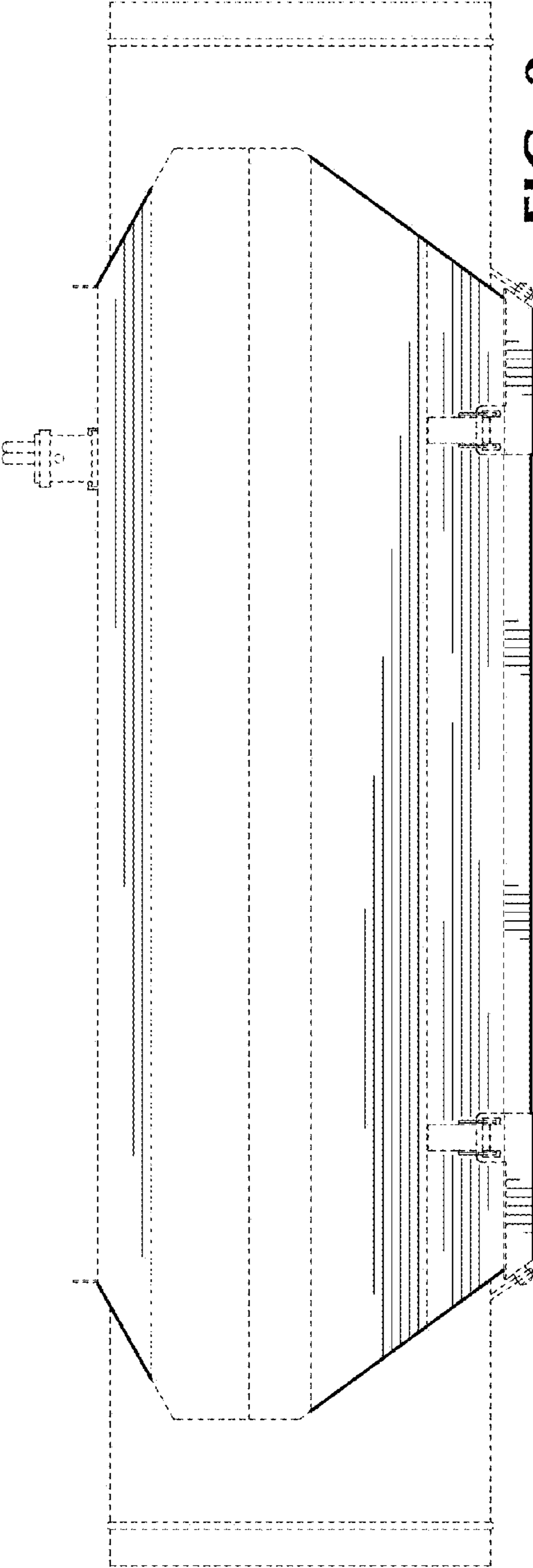


FIG. 3

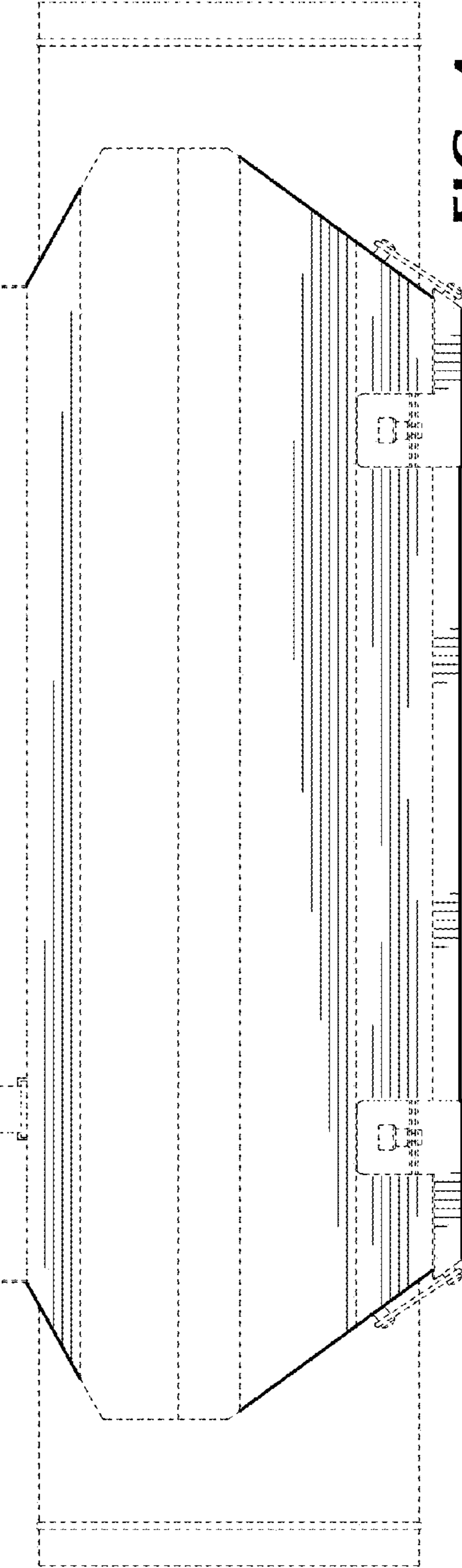


FIG. 4

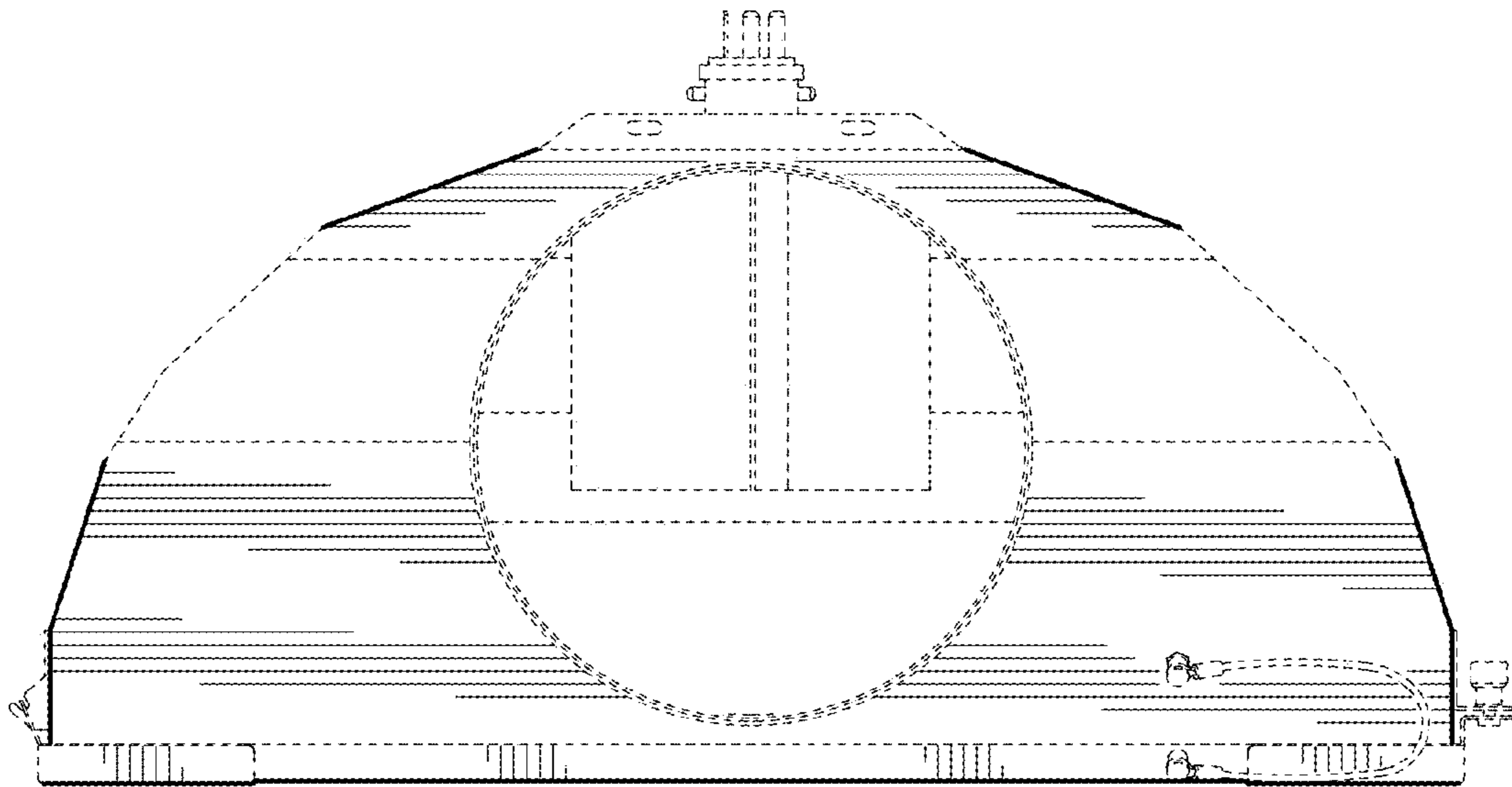


FIG. 5

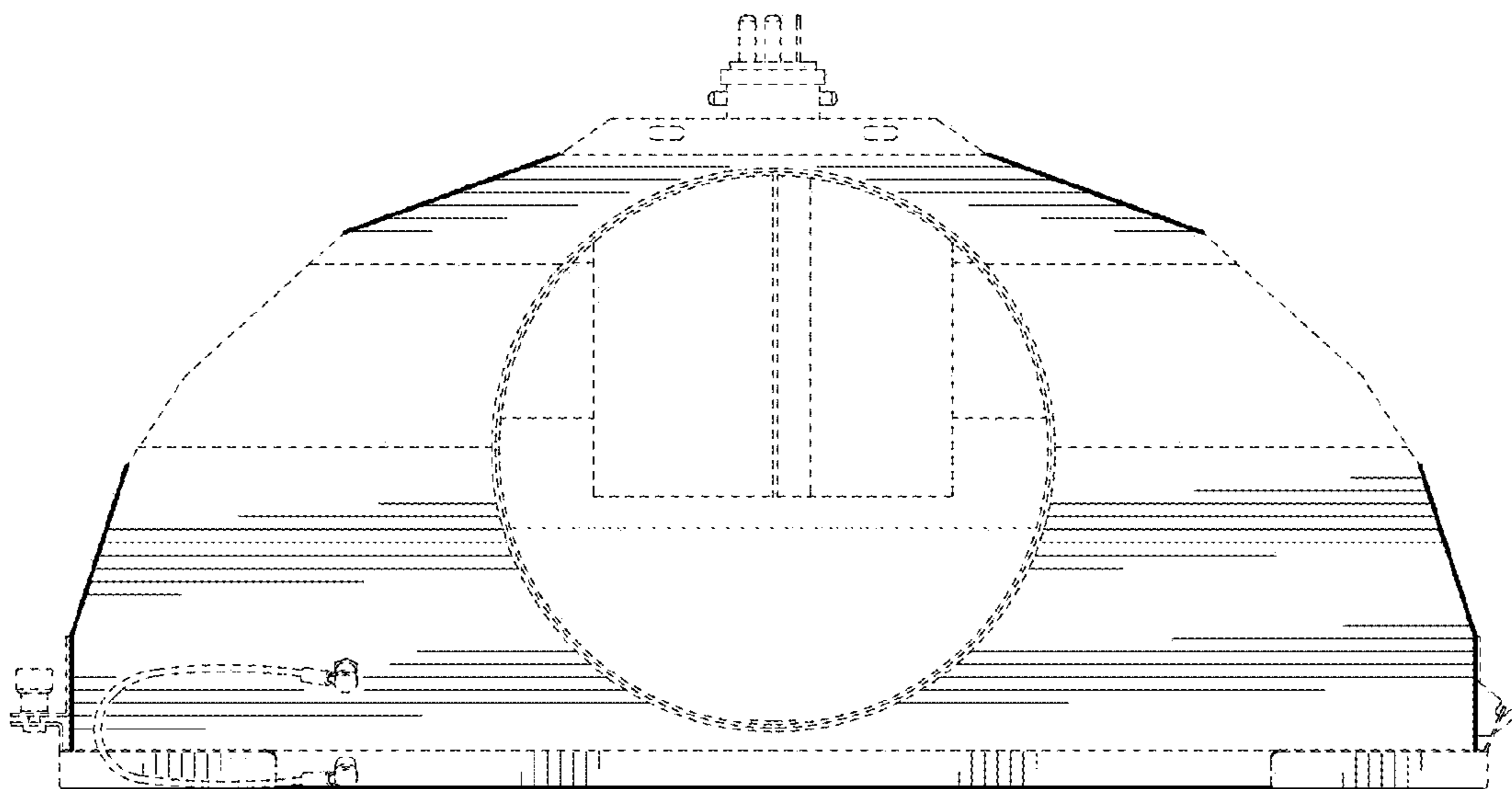


FIG. 6

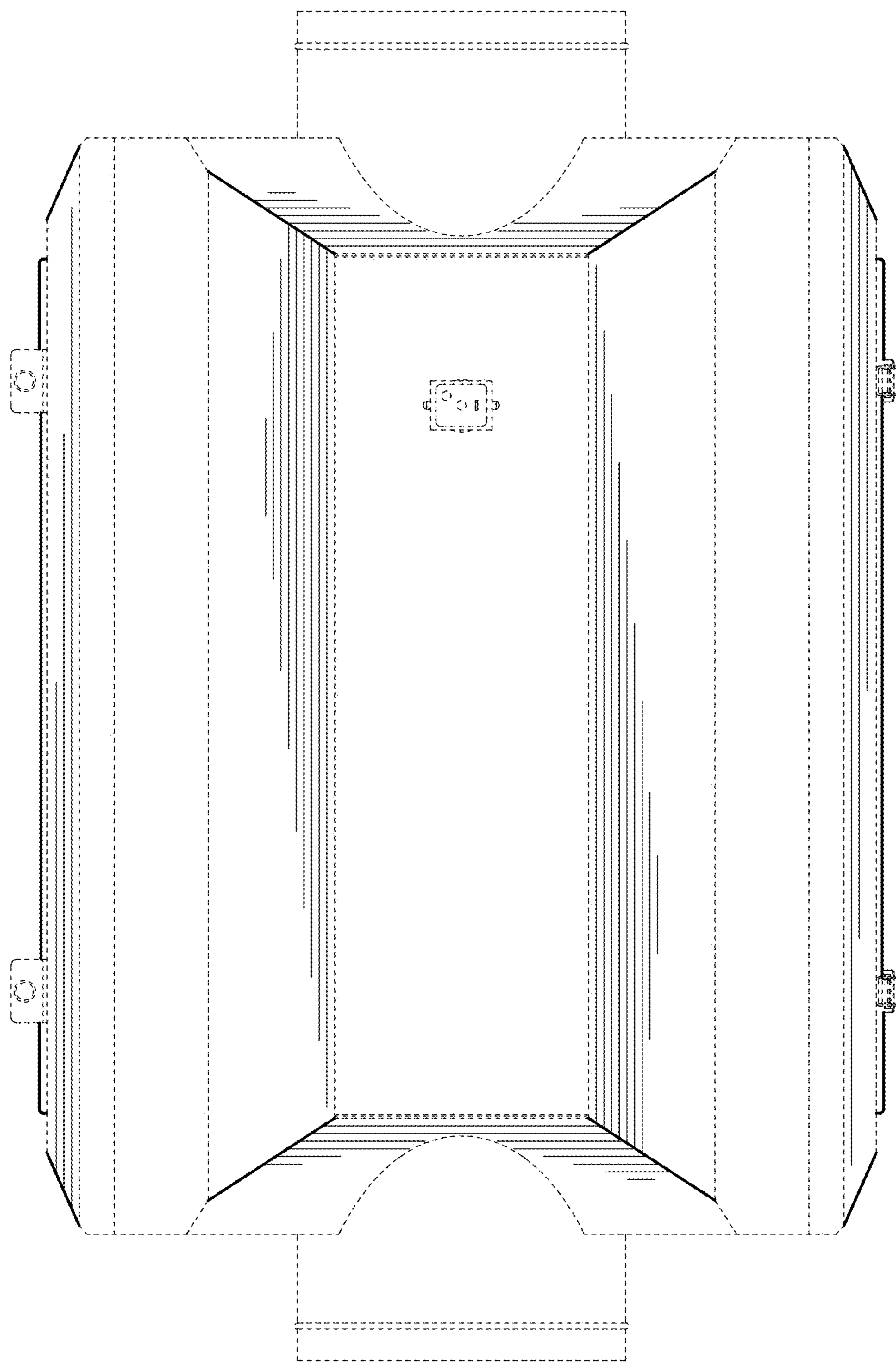


FIG. 7

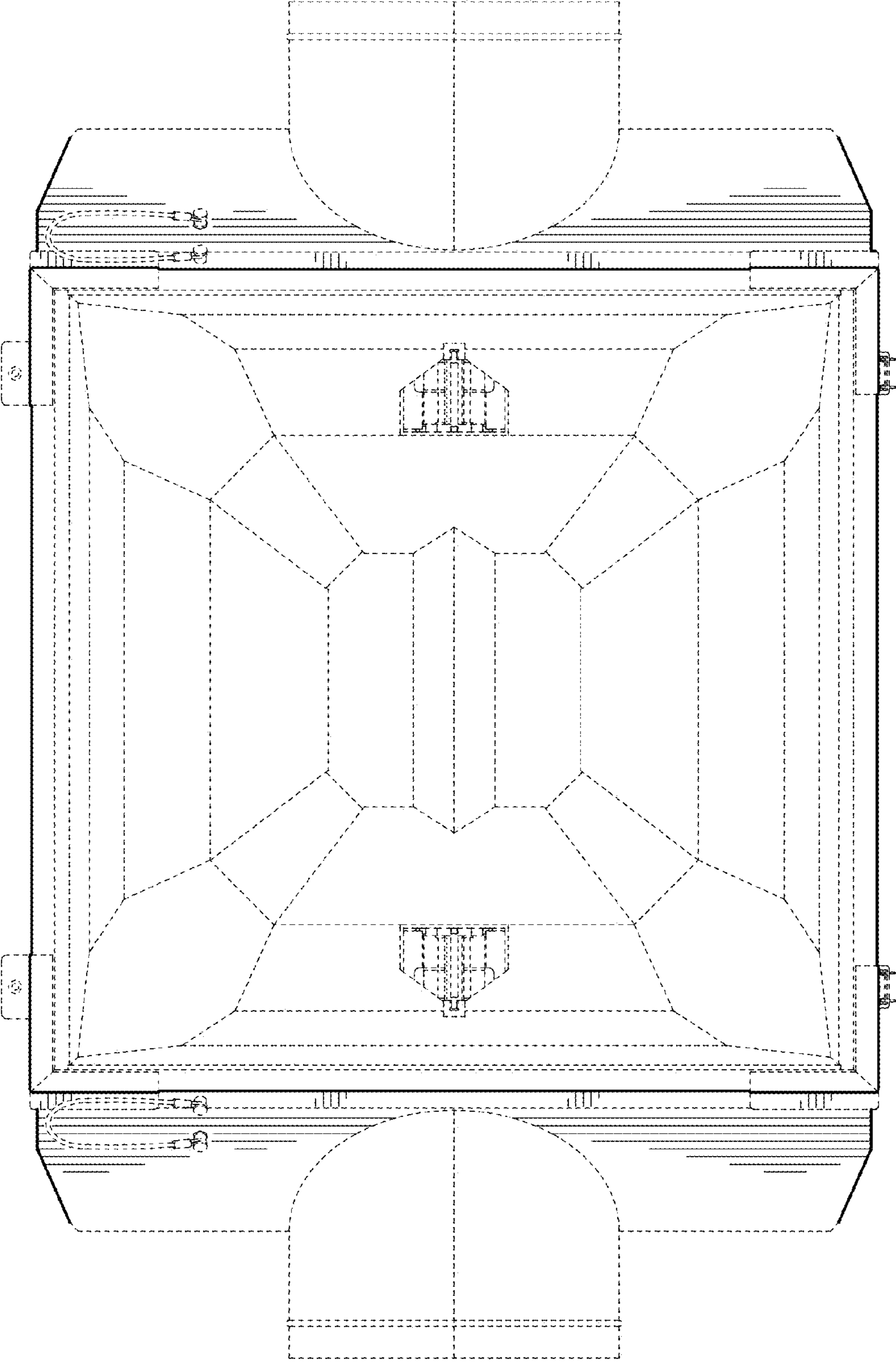


FIG. 8