



US00D737497S

(12) **United States Design Patent**
Burgess et al.

(10) **Patent No.:** **US D737,497 S**

(45) **Date of Patent:** **** Aug. 25, 2015**

(54) **QUICK CHANGE LENS GASKET**

(71) Applicants: **Paul Burgess**, Lodi, NJ (US); **Stephanie Burgess**, Lodi, NJ (US)

(72) Inventors: **Paul Burgess**, Lodi, NJ (US); **Stephanie Burgess**, Lodi, NJ (US)

(**) Term: **14 Years**

(21) Appl. No.: **29/482,914**

(22) Filed: **Feb. 24, 2014**

(51) **LOC (10) Cl.** **26-99**

(52) **U.S. Cl.**

USPC **D26/113**

(58) **Field of Classification Search**

USPC D26/9, 10, 12, 13, 15, 16, 24, 51, 61,
D26/72, 76, 80, 81, 85, 86, 88, 90, 113, 118,
D26/119, 120, 122, 128, 129, 138, 143,
D26/144; D13/180; D10/18, 21, 24, 25, 27,
D10/28, 46, 93, 104.1, 113, 114, 116.1;
D17/99

CPC B60Q 1/04; B60Q 1/26; F21S 8/026;
F21S 8/04; F21V 29/004; F21V 21/02;
F21V 21/04; F21V 29/2212; F21Y 2101/02

See application file for complete search history.

(56) **References Cited**

U.S. PATENT DOCUMENTS

3,329,967	A *	7/1967	Martinez et al.	2/2.15
3,341,132	A *	9/1967	Parkison	239/443
4,146,277	A *	3/1979	Santoro	96/117.5
D260,184	S *	8/1981	Whatley	D25/129
D290,965	S *	7/1987	Satalof et al.	D17/13
4,729,070	A *	3/1988	Chiu	362/33
D308,217	S *	5/1990	Cohen	D17/22
D324,743	S *	3/1992	Prosser	D26/113
D340,002	S *	10/1993	Smith, Sr.	D10/121
5,333,787	A *	8/1994	Smith et al.	239/227
5,356,077	A *	10/1994	Shames et al.	239/383
D353,684	S *	12/1994	Moussa	D26/113

(Continued)

FOREIGN PATENT DOCUMENTS

EP 2497998 9/2012
WO WO2007004867 1/2007

(Continued)

OTHER PUBLICATIONS

Lantern, image post date Apr. 27, 2013, site visited May 22, 2015, (online), <<http://web.archive.org/web/20150315014703/http://removeandreplace.com/2013/04/02/how-to-make-a-lamp-out-of-an-oil-burning-lantern/>>.*

(Continued)

Primary Examiner — Kevin Rudzinski

Assistant Examiner — Sean D Lough

(74) *Attorney, Agent, or Firm* — Werschulz Patent Law, LLC

(57) **CLAIM**

The ornamental design for a quick change lens gasket, as shown and described.

DESCRIPTION

FIG. 1 is a perspective view of the top of the quick change lens gasket in full lines.

FIG. 2 is a perspective view of the bottom of the quick change lens gasket in full lines.

FIG. 3 is a top plan view of the quick change lens gasket.

FIG. 4 is a bottom plan view thereof.

FIG. 5 is a right side elevation view thereof.

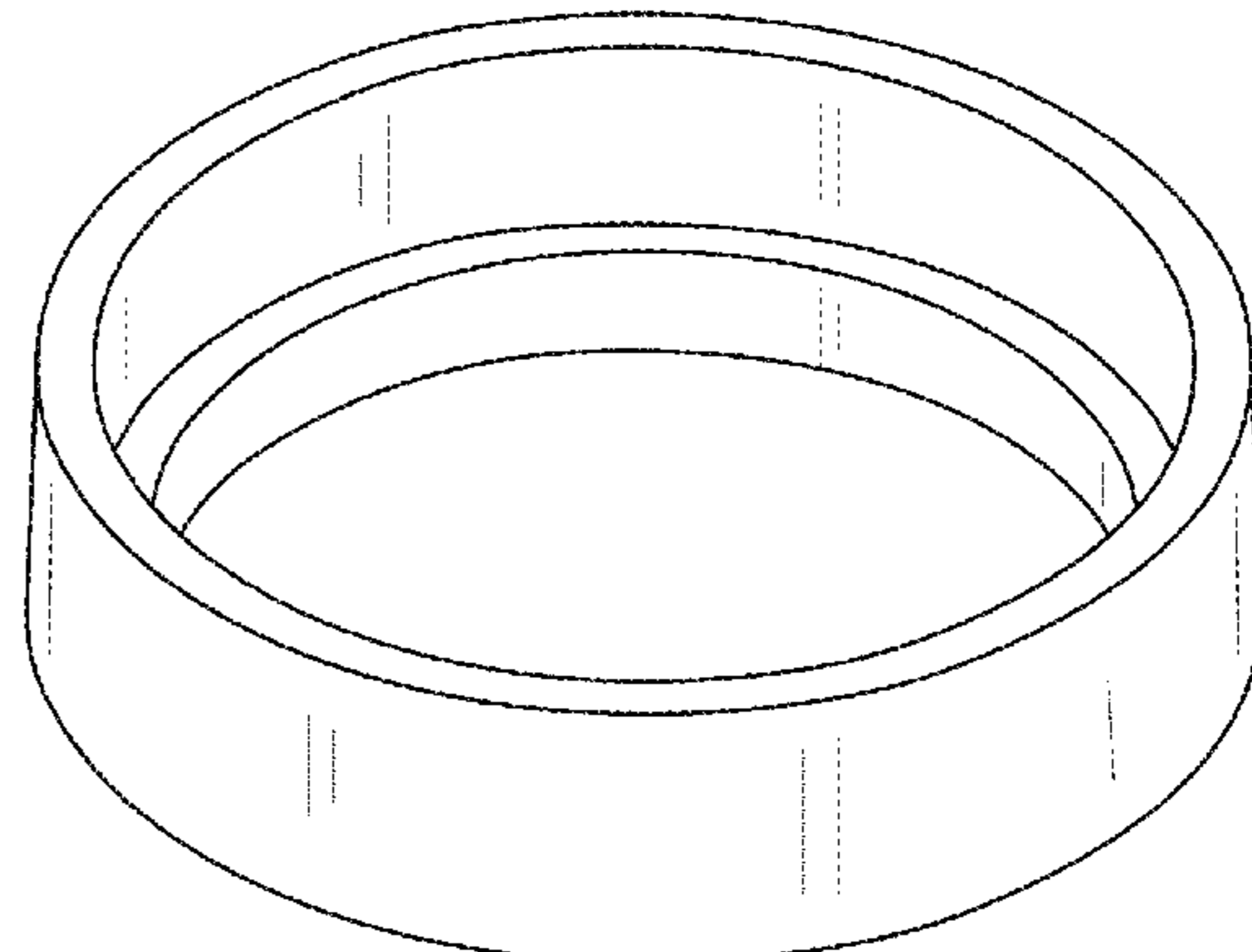
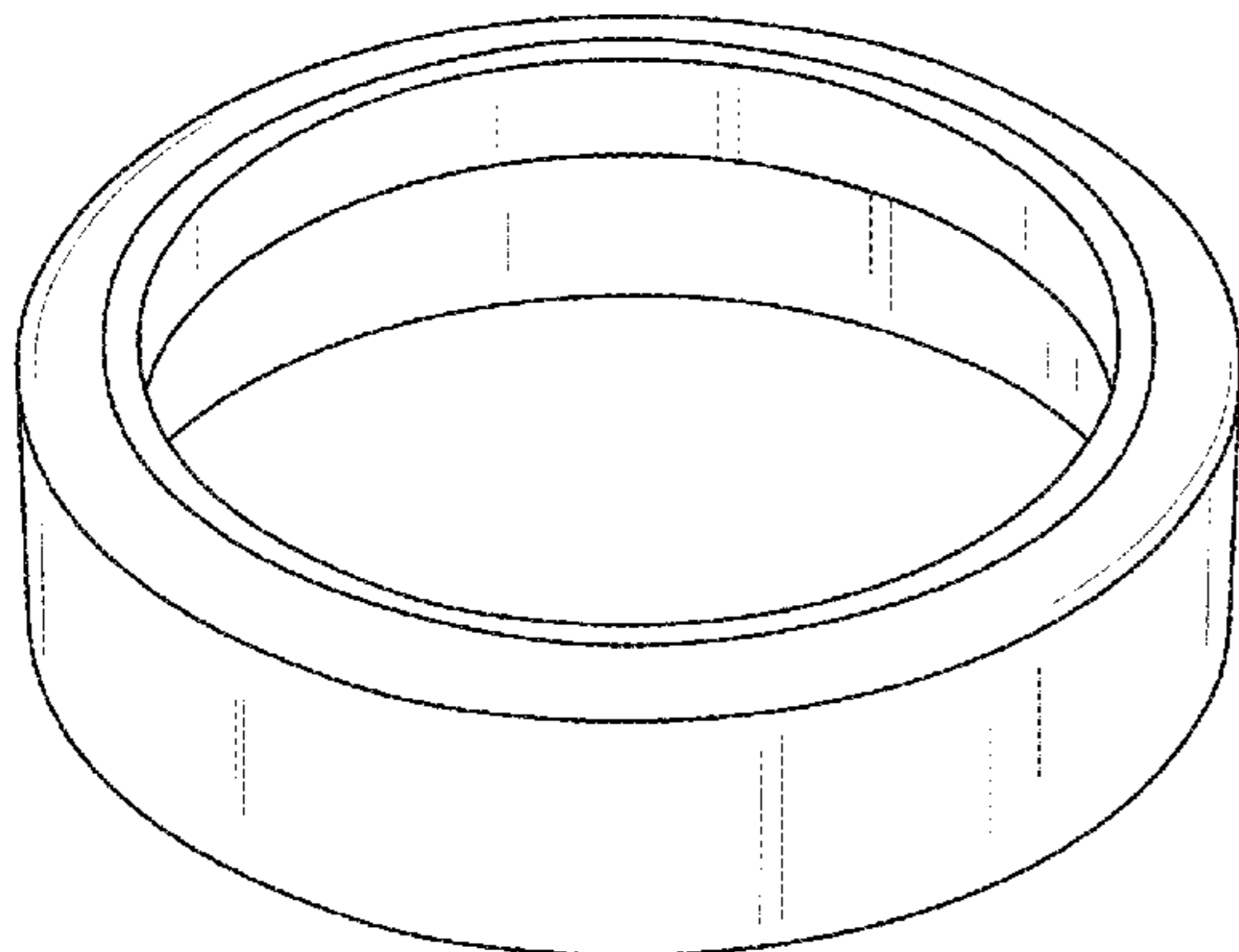
FIG. 6 is a left side elevation view thereof.

FIG. 7 is a front elevation view thereof.

FIG. 8 is a rear elevation view thereof; and,

FIG. 9 is a perspective view of the quick change lens gasket in full lines shown in use on a sandblaster in broken lines representing environmental association matter being for illustrative purposes only and forming no part of the claimed invention.

1 Claim, 5 Drawing Sheets



(56)

References Cited

U.S. PATENT DOCUMENTS

D356,516 S * 3/1995 Price D10/104.1
 5,452,638 A * 9/1995 Yancy 84/404
 D364,168 S * 11/1995 Ying D14/221
 5,481,444 A * 1/1996 Schultz 362/249.14
 D374,878 S * 10/1996 Palmer D16/130
 D381,972 S * 8/1997 Vigil D10/119.1
 D383,077 S * 9/1997 Peyton et al. D10/104.1
 5,873,647 A 2/1999 Kurtz et al.
 D407,985 S * 4/1999 Pimentel D10/104.2
 D421,809 S * 3/2000 Roberts D26/24
 D434,050 S * 11/2000 Su D15/135
 6,199,580 B1 * 3/2001 Morris 137/377
 6,441,285 B1 * 8/2002 Kurosaki 84/411 R
 D473,007 S * 4/2003 Herst et al. D26/113
 D479,623 S * 9/2003 Fu D26/118
 D487,252 S * 3/2004 Schweitzer D13/134
 D519,455 S * 4/2006 Tufano et al. D13/134
 D533,959 S * 12/2006 Wambaugh et al. D26/138
 7,255,460 B2 8/2007 Lee
 7,303,151 B2 * 12/2007 Wu 239/447
 D558,988 S * 1/2008 Gibson et al. D6/309
 D575,444 S * 8/2008 Lissoni D26/137
 D589,207 S * 3/2009 Fujiwara et al. D26/138
 7,544,874 B2 * 6/2009 Hsieh 84/385 R
 D602,072 S * 10/2009 Lawrence, III D17/22
 D602,620 S * 10/2009 Cristoforo D26/60
 D603,086 S * 10/2009 Zayas D26/113
 D604,896 S * 11/2009 Chen et al. D26/142
 D611,187 S * 3/2010 Waring D26/138
 D611,524 S * 3/2010 Lawrence, III D17/22
 D611,983 S * 3/2010 Bales D17/20
 D614,802 S * 4/2010 Hsieh D26/118
 D615,677 S * 5/2010 Feinbloom et al. D26/39

D616,017 S * 5/2010 Partridge, Jr. D17/22
 D636,523 S * 4/2011 Chujo et al. D26/113
 D637,224 S * 5/2011 Smith D17/24
 D650,123 S * 12/2011 Chen D26/130
 D651,233 S * 12/2011 Bower D17/20
 D657,090 S * 4/2012 Kaule et al. D26/138
 D661,343 S * 6/2012 Cox D17/99
 D665,122 S * 8/2012 You D26/138
 8,256,919 B2 9/2012 Holder et al.
 D671,676 S * 11/2012 Komarov et al. D26/124
 D684,300 S * 6/2013 Lin et al. D26/118
 D684,307 S * 6/2013 Teller D26/118
 D685,521 S * 7/2013 Liang et al. D26/118
 D690,841 S * 10/2013 Feigenbaum D26/24
 D695,446 S * 12/2013 Eustace D26/118
 D708,539 S * 7/2014 Barden D10/121
 8,794,543 B2 * 8/2014 Leber 239/381
 D719,171 S * 12/2014 Erickson et al. D14/480.1
 2003/0062426 A1 * 4/2003 Gregory et al. 239/107
 2009/0303699 A1 12/2009 Van Gestel
 2010/0176706 A1 7/2010 Fu et al.
 2012/0230033 A1 9/2012 Yoon et al.

FOREIGN PATENT DOCUMENTS

WO WO2012097721 7/2012
 WO WO2012156859 11/2012

OTHER PUBLICATIONS

Hydro-test Centrifugal pump impeller and housing—TinEye, image post date Dec. 7, 2014, site visited May 22, 2015, (online), <<https://www.tineye.com/search/2c16ec33924801c7fe74e777d8e82c78b6df8d6d/?pluginver=>>>.*

* cited by examiner

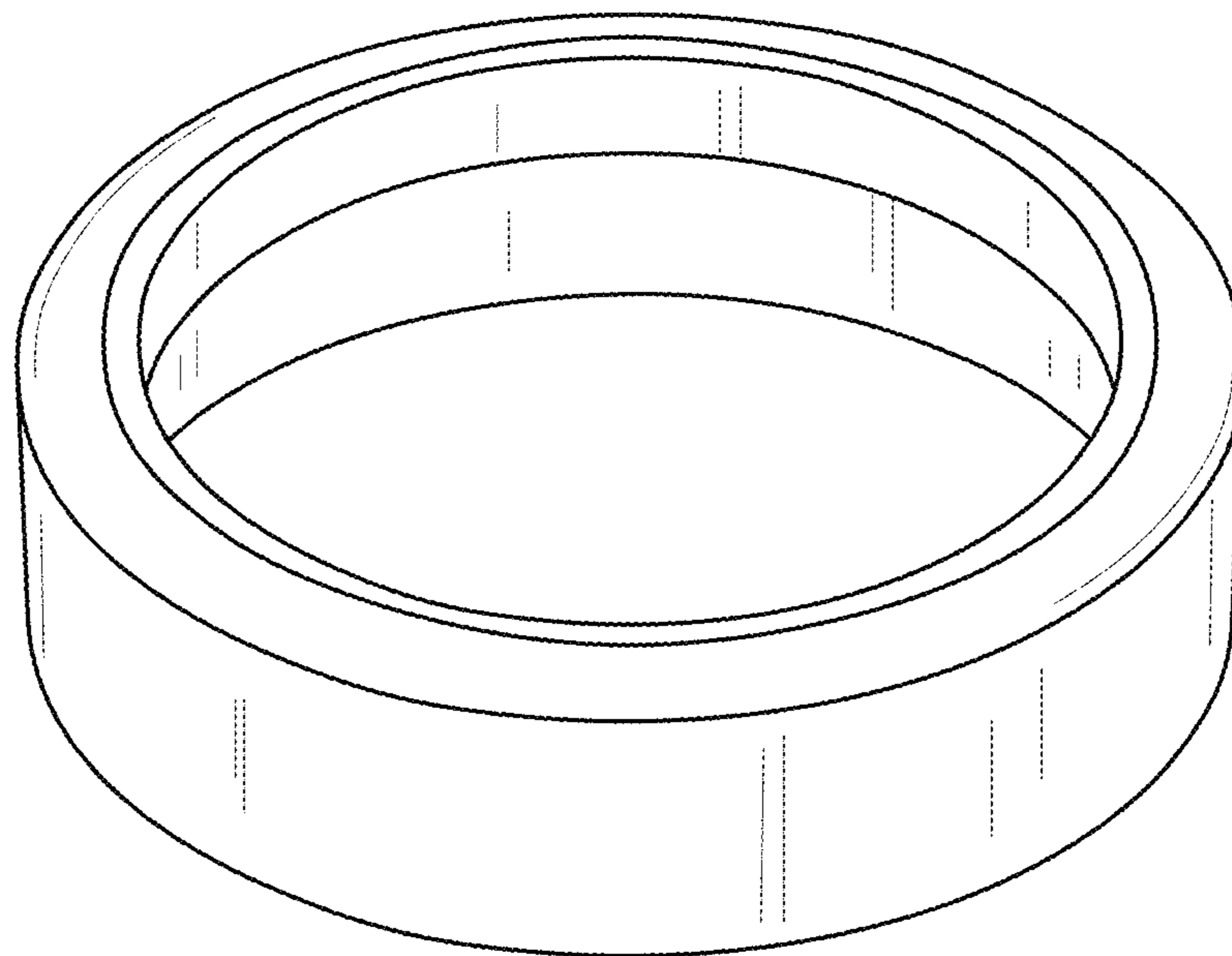


FIG. 1

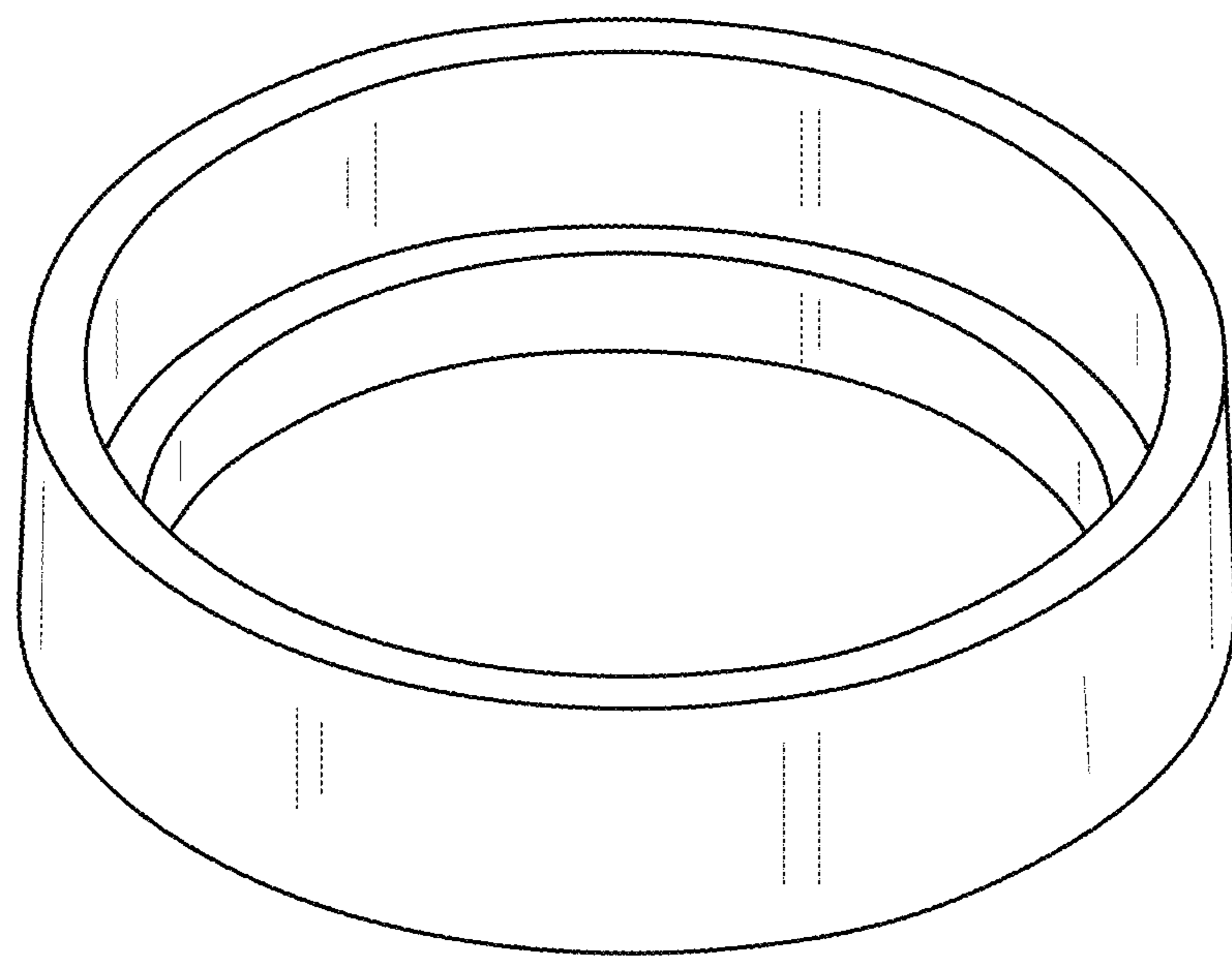


FIG. 2

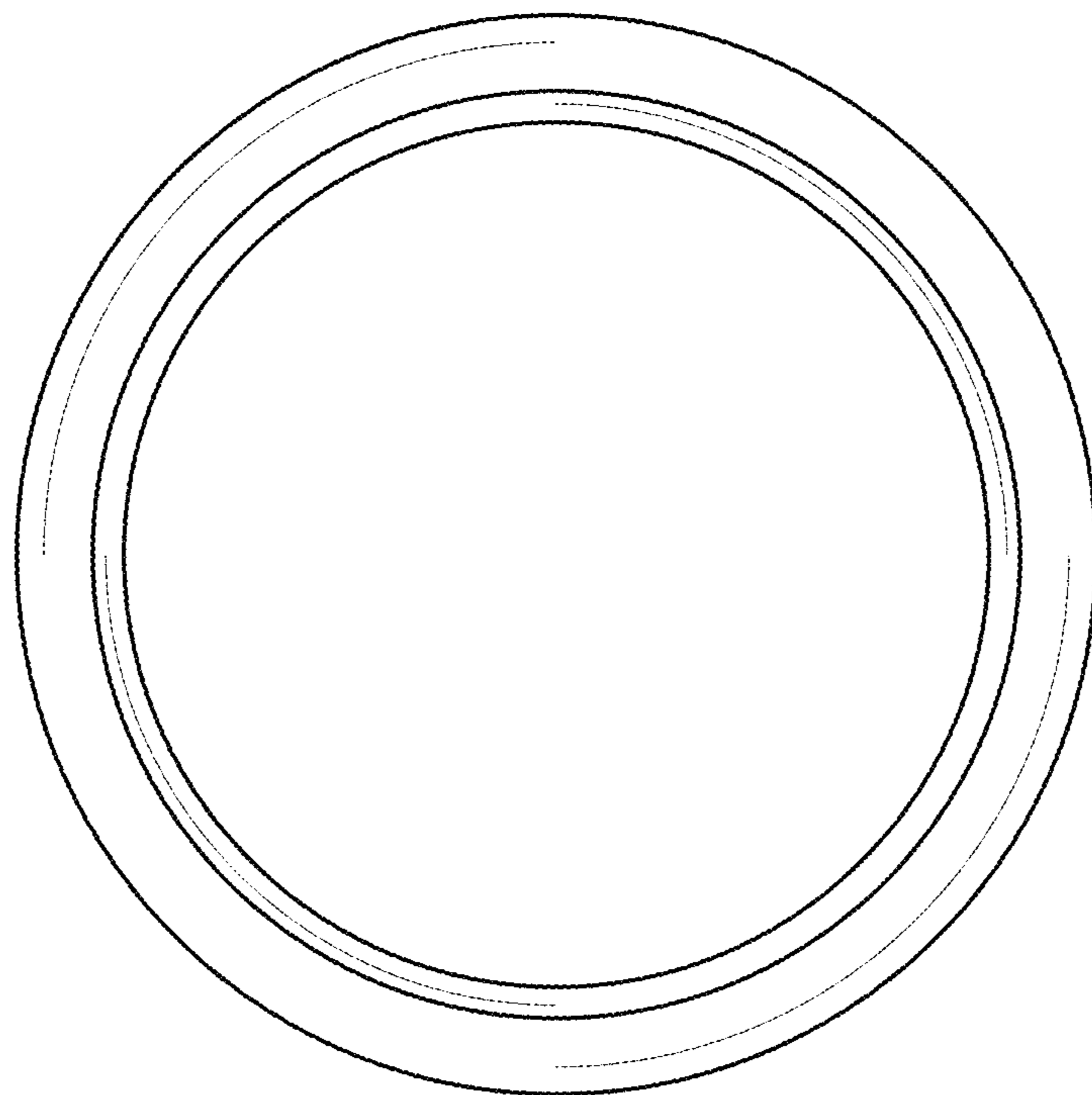


FIG. 3

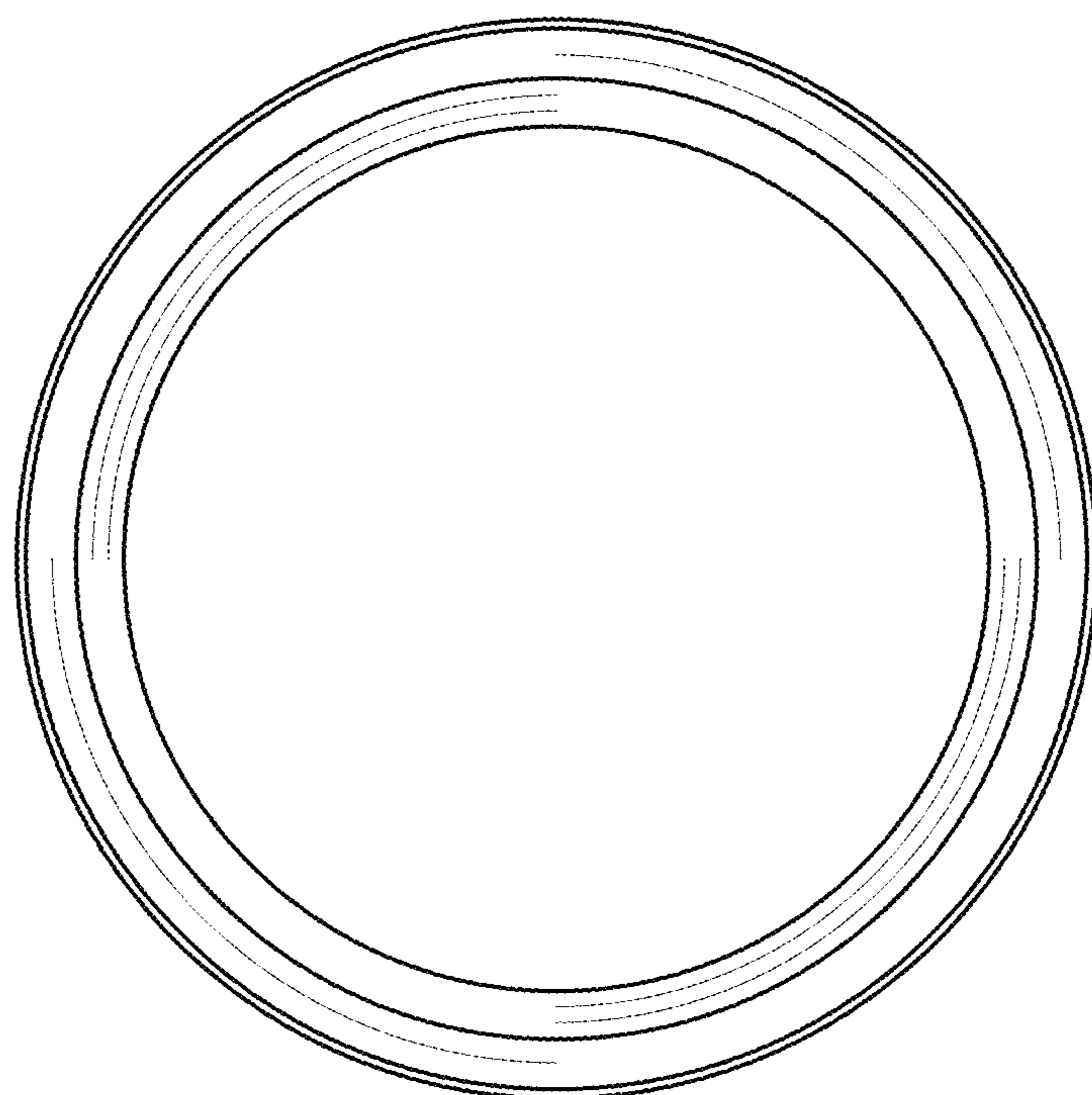


FIG. 4

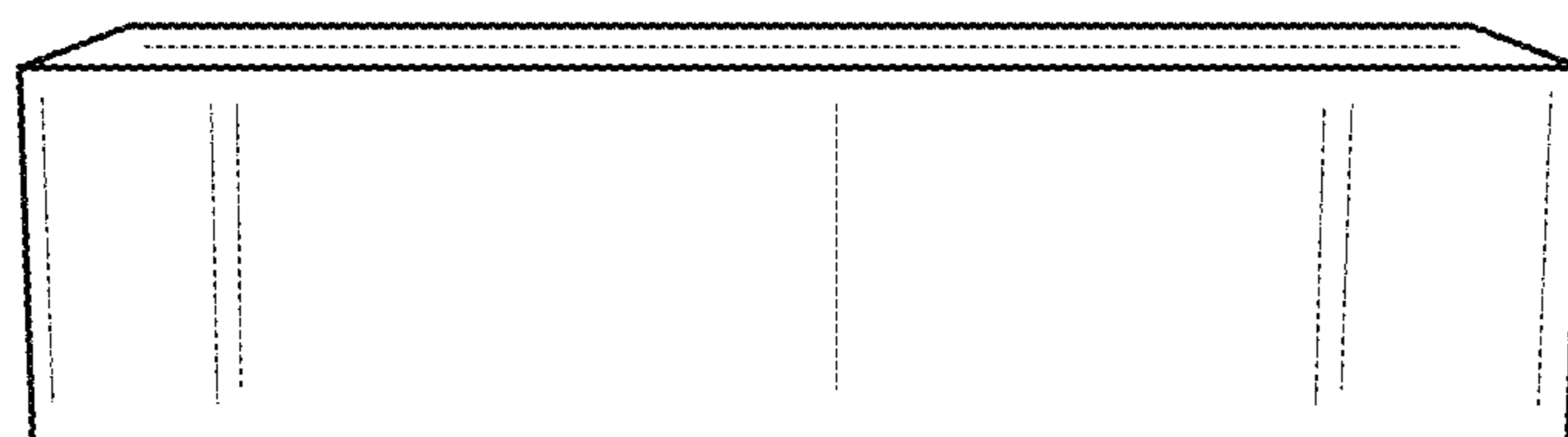


FIG. 5

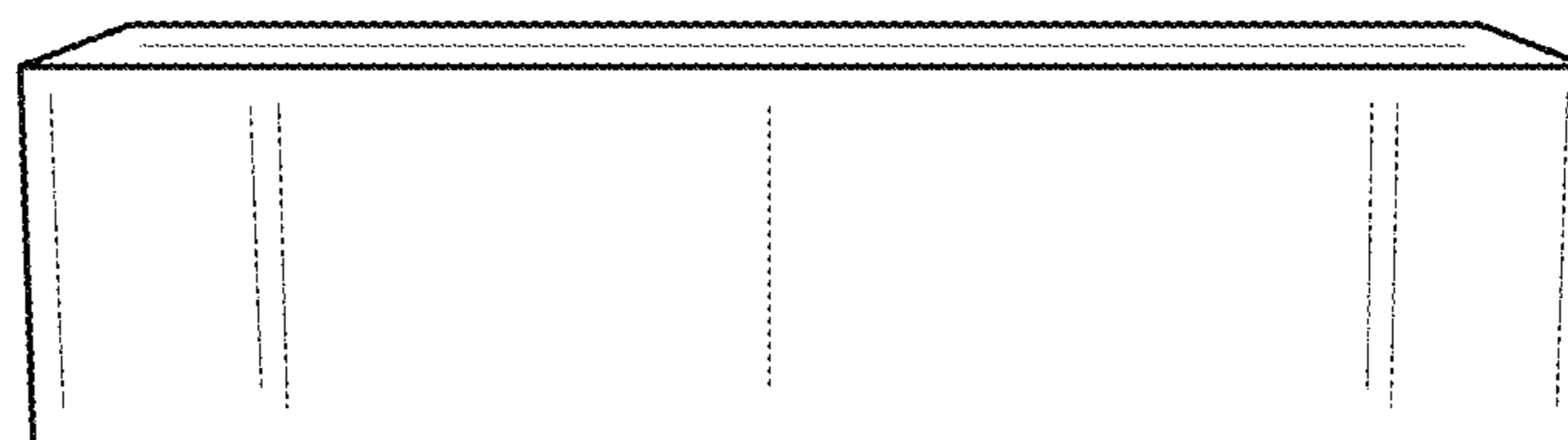


FIG. 6

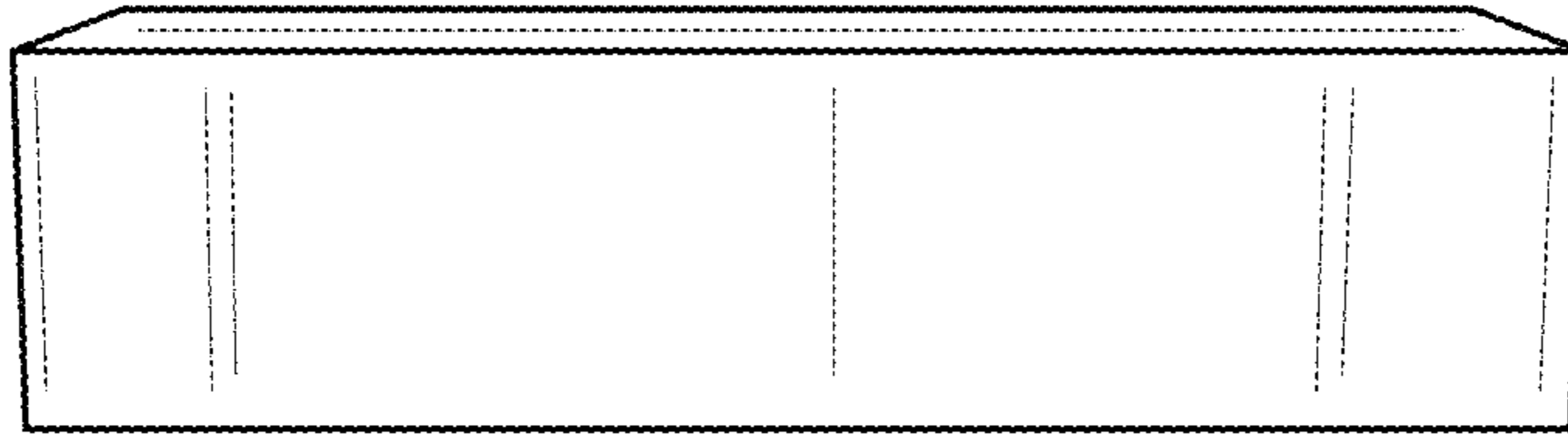


FIG. 7

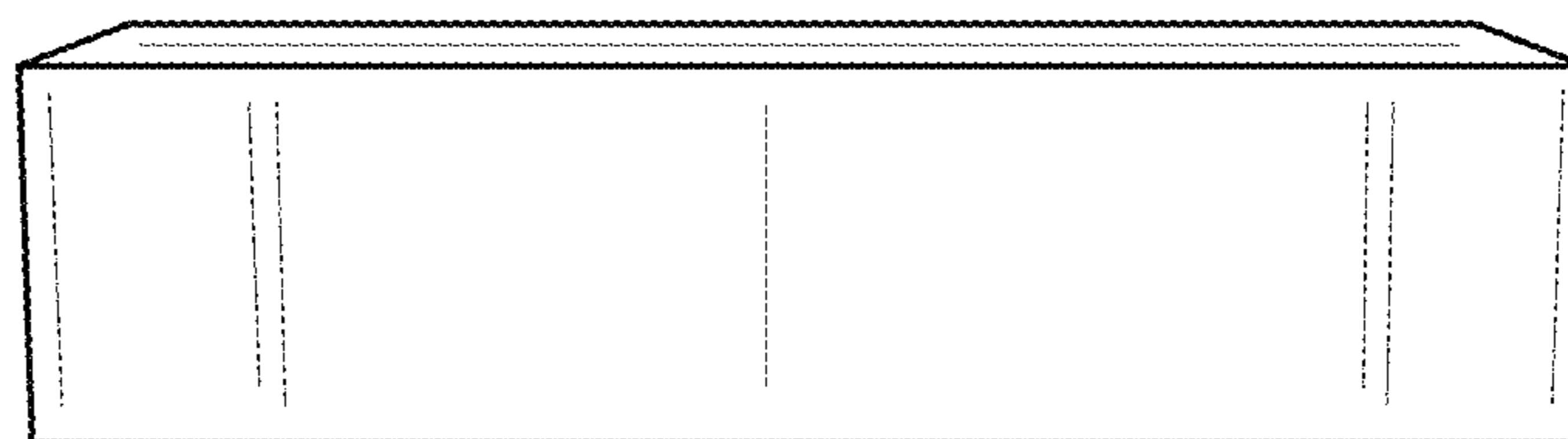


FIG. 8

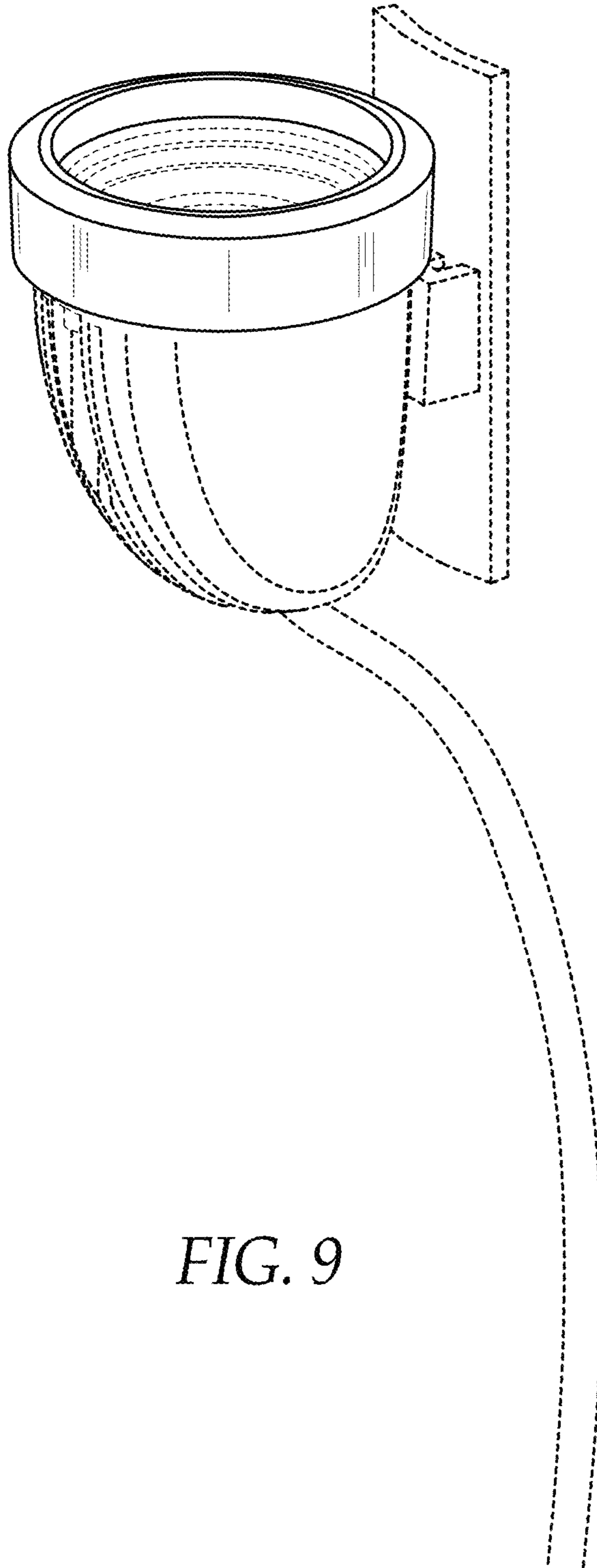


FIG. 9