



US00D737495S

(12) **United States Design Patent**
Mollaghaffari

(10) **Patent No.:** **US D737,495 S**

(45) **Date of Patent:** **** Aug. 25, 2015**

(54) **DESK LAMP**

(71) Applicant: **PHC Northwest**, Portland, OR (US)

(72) Inventor: **Massoud Mollaghaffari**, Portland, OR
(US)

(73) Assignee: **PHC Northwest, Inc.**, Portland, OR
(US)

(**) Term: **14 Years**

(21) Appl. No.: **29/455,252**

(22) Filed: **May 17, 2013**

(51) **LOC (10) Cl.** **26-03**

(52) **U.S. Cl.**
USPC **D26/65; D26/93**

(58) **Field of Classification Search**
USPC D26/24, 93, 106, 107, 61, 63, 65
CPC F21S 6/00; F21S 6/002; F21S 6/004;
F21S 6/006; F21S 8/00; F21S 10/00; F21V
21/02; F21W 2131/30; F21Y 2105/00

See application file for complete search history.

(56) **References Cited**

U.S. PATENT DOCUMENTS

D168,862 S *	2/1953	Sawle, III	D26/106
D319,704 S *	9/1991	Miserendino	D26/107
D322,330 S *	12/1991	Goldner	D26/65
D500,572 S *	1/2005	Linder et al.	D26/93
D525,741 S *	7/2006	Wu	D26/106

* cited by examiner

Primary Examiner — Brian N Vinson

(74) *Attorney, Agent, or Firm* — Baumgartner Patent Law;
Marc Baumgartner

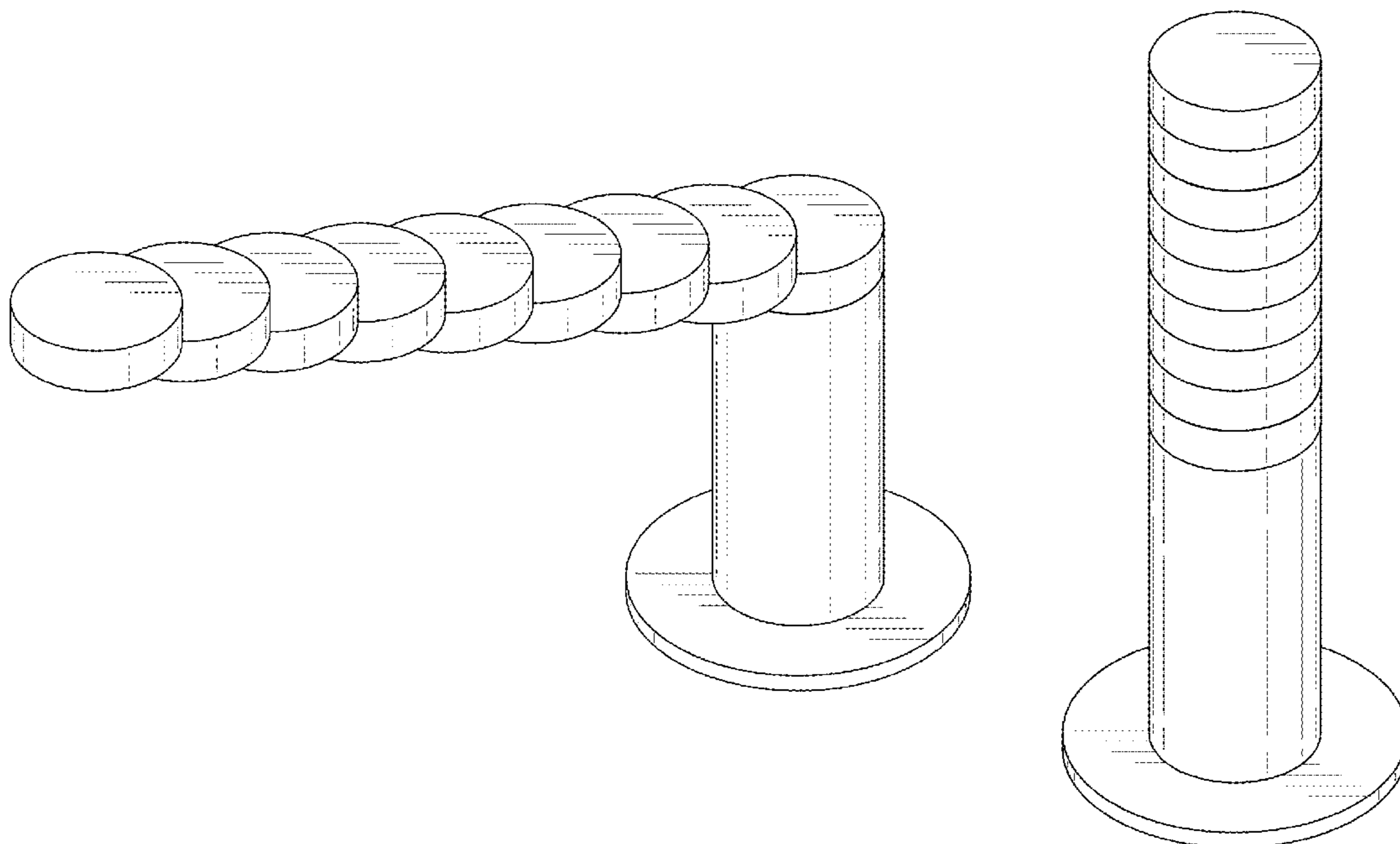
(57) **CLAIM**

The ornamental design for a desk lamp, as shown and described.

DESCRIPTION

FIG. 1 is a front perspective view of the desk lamp.
FIG. 2 is a front elevation view of the desk lamp.
FIG. 3 is a rear elevation view of the desk lamp.
FIG. 4 is a right elevation view of the desk lamp (the left side is a mirror image of this side).
FIG. 5 is a top elevation view of the desk lamp.
FIG. 6 is a bottom elevation view of the desk lamp.
FIG. 7 is an alternate configuration, front perspective view of the desk lamp; and,
FIG. 8 is an alternate configuration, rear perspective view of the desk lamp.

1 Claim, 8 Drawing Sheets



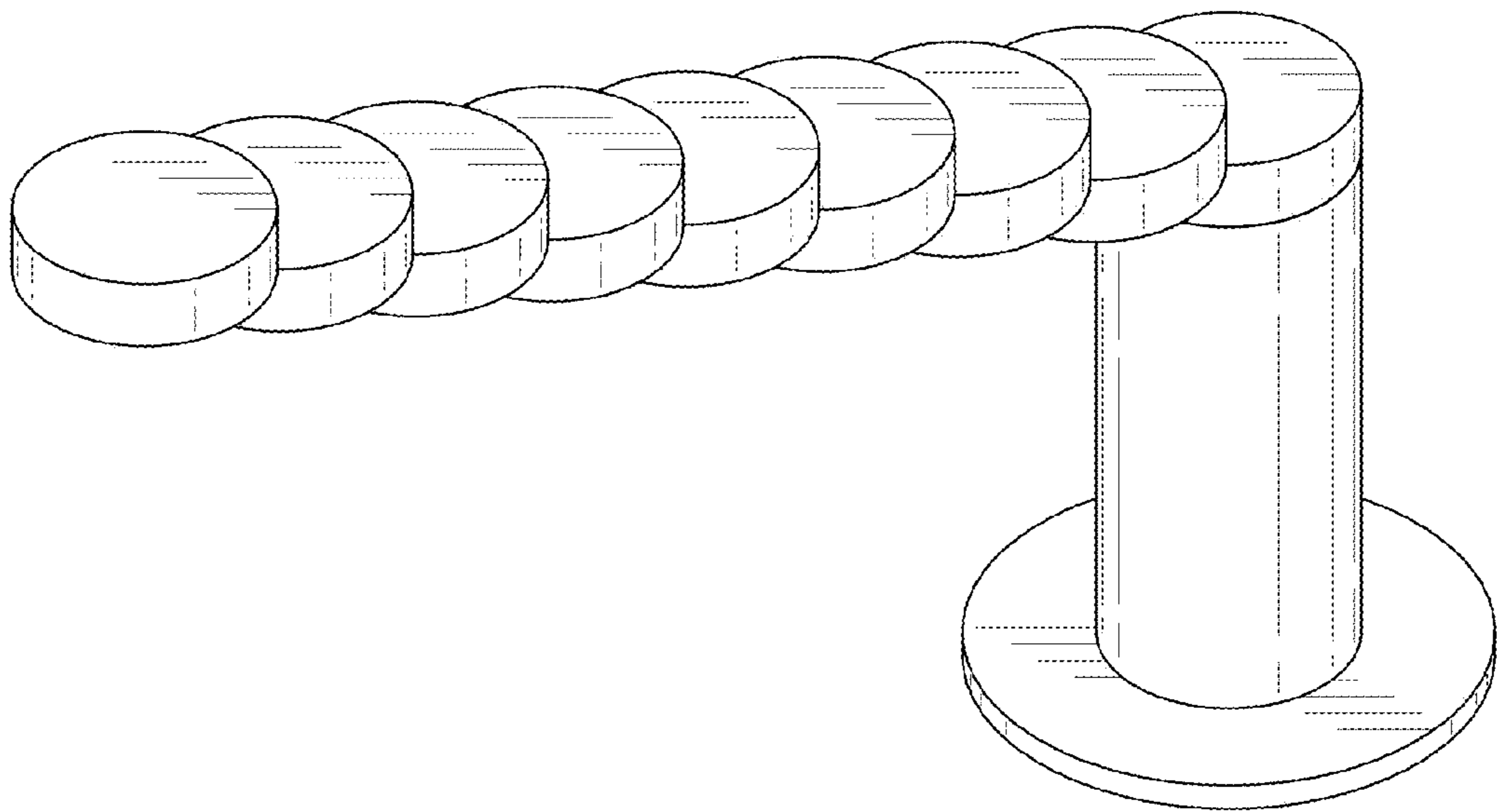


Figure 1

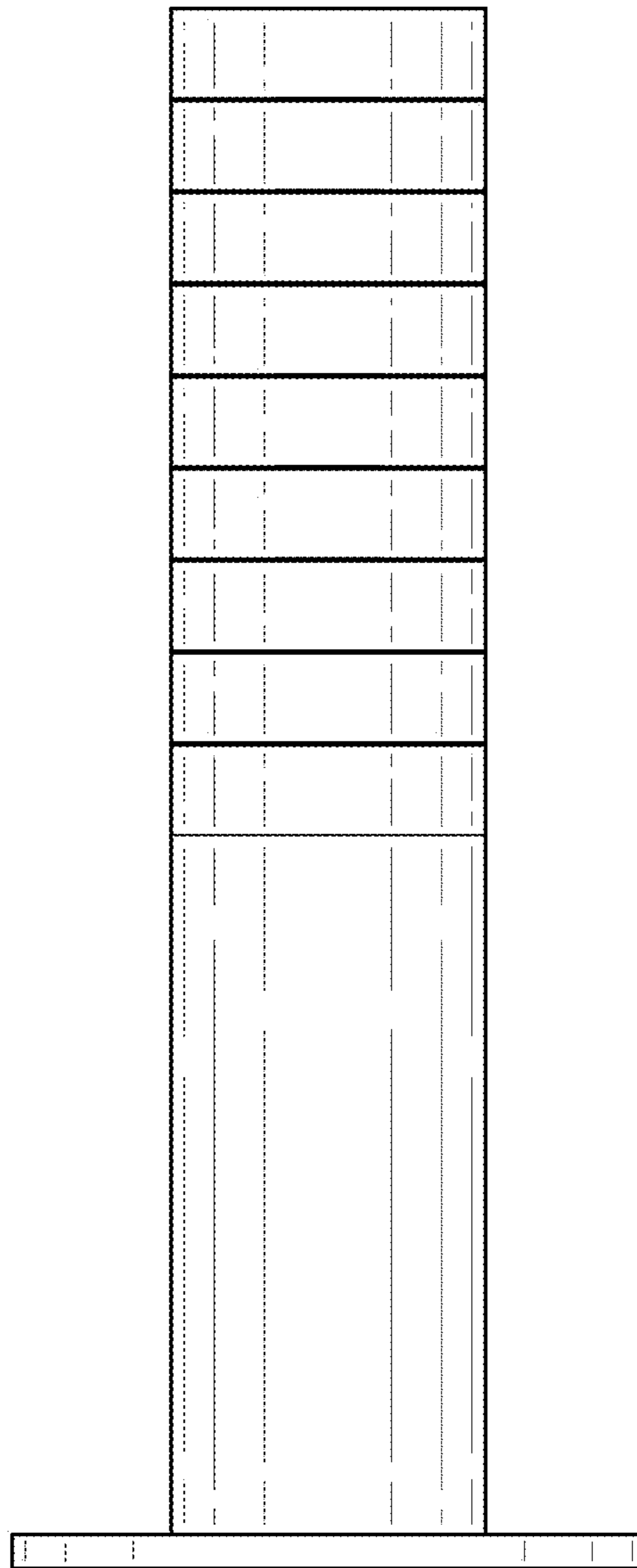


Figure 2

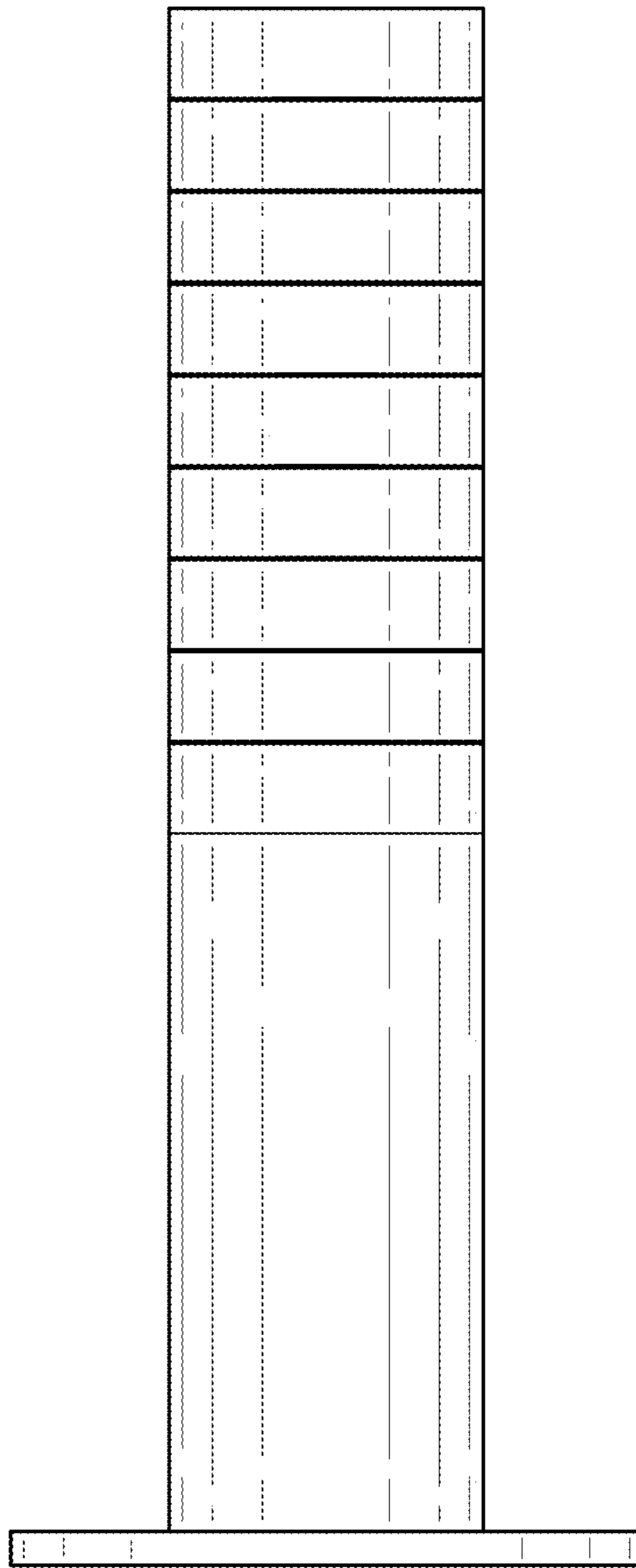


Figure 3

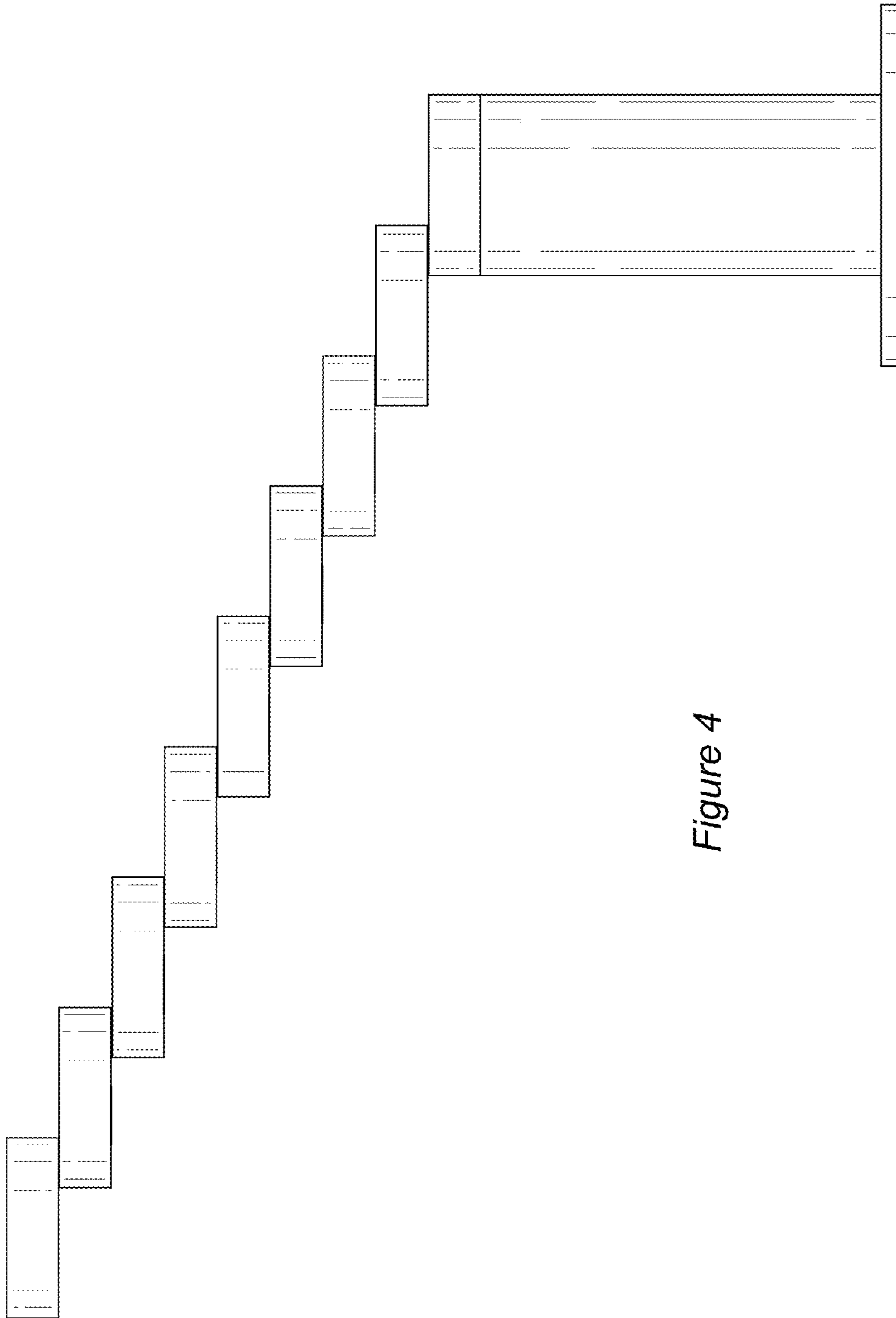


Figure 4

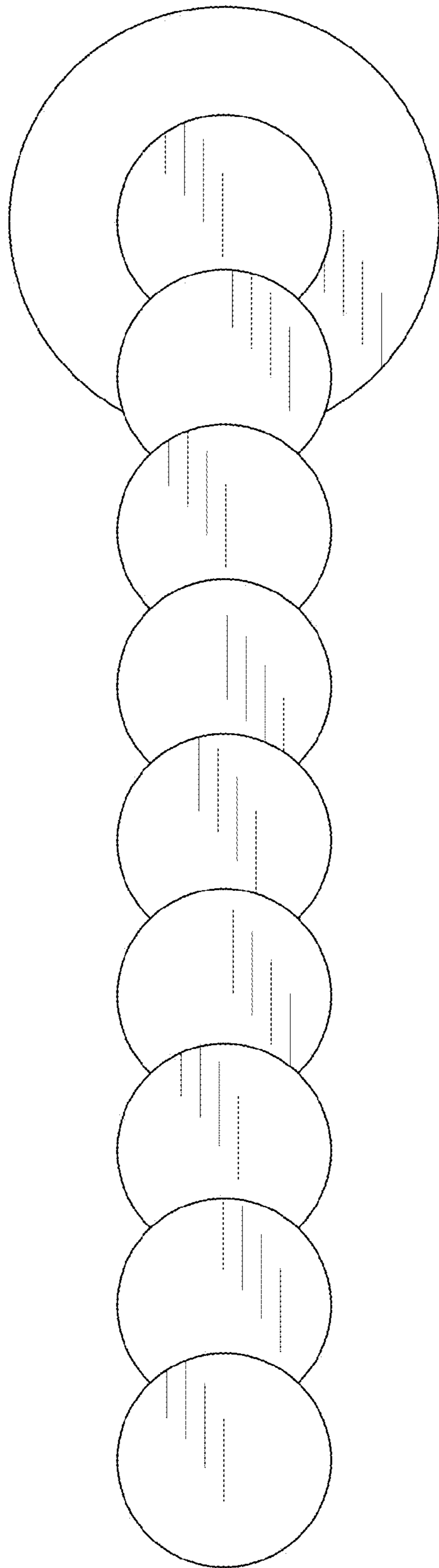


Figure 5

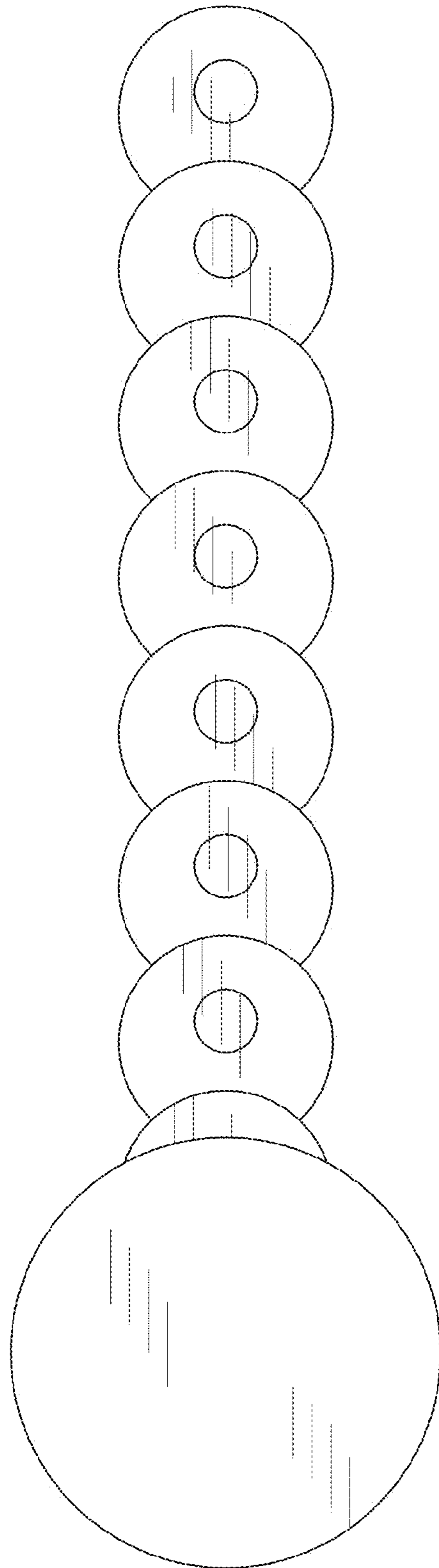


Figure 6

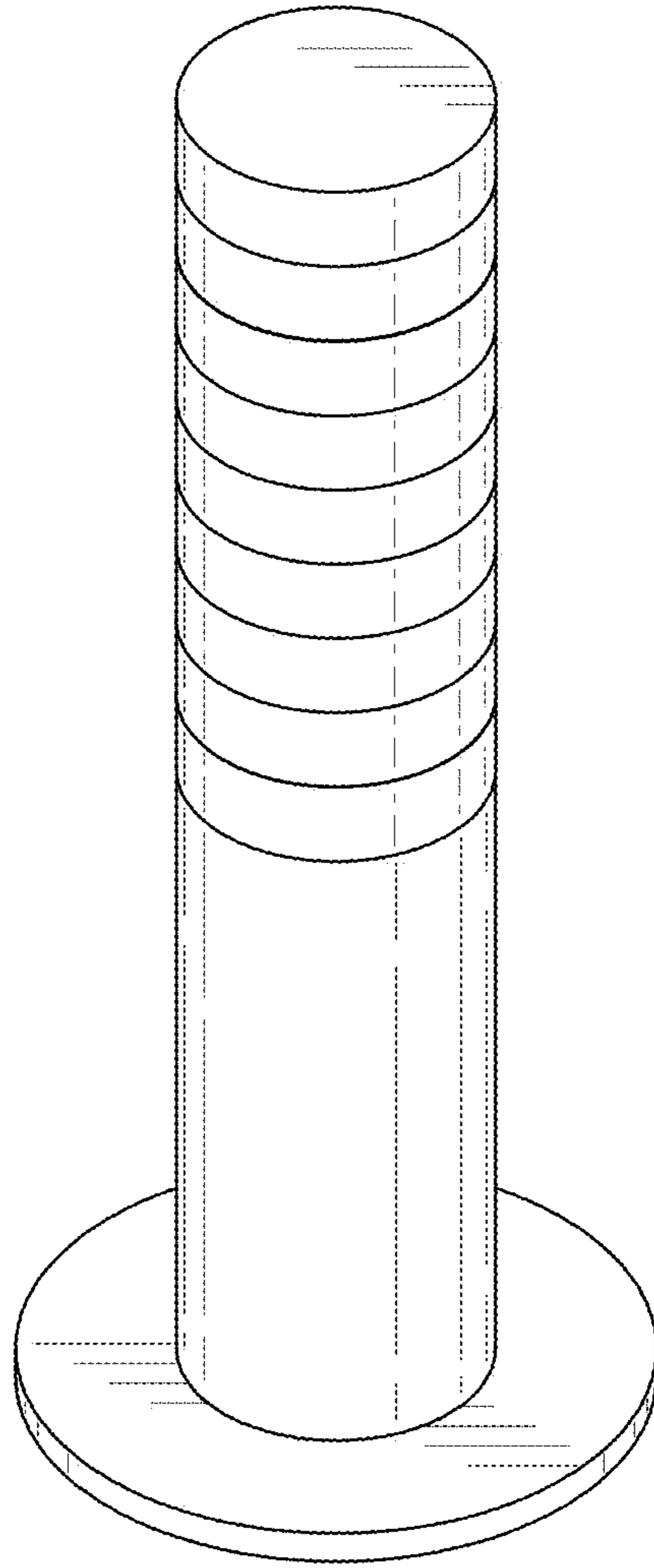


Figure 7

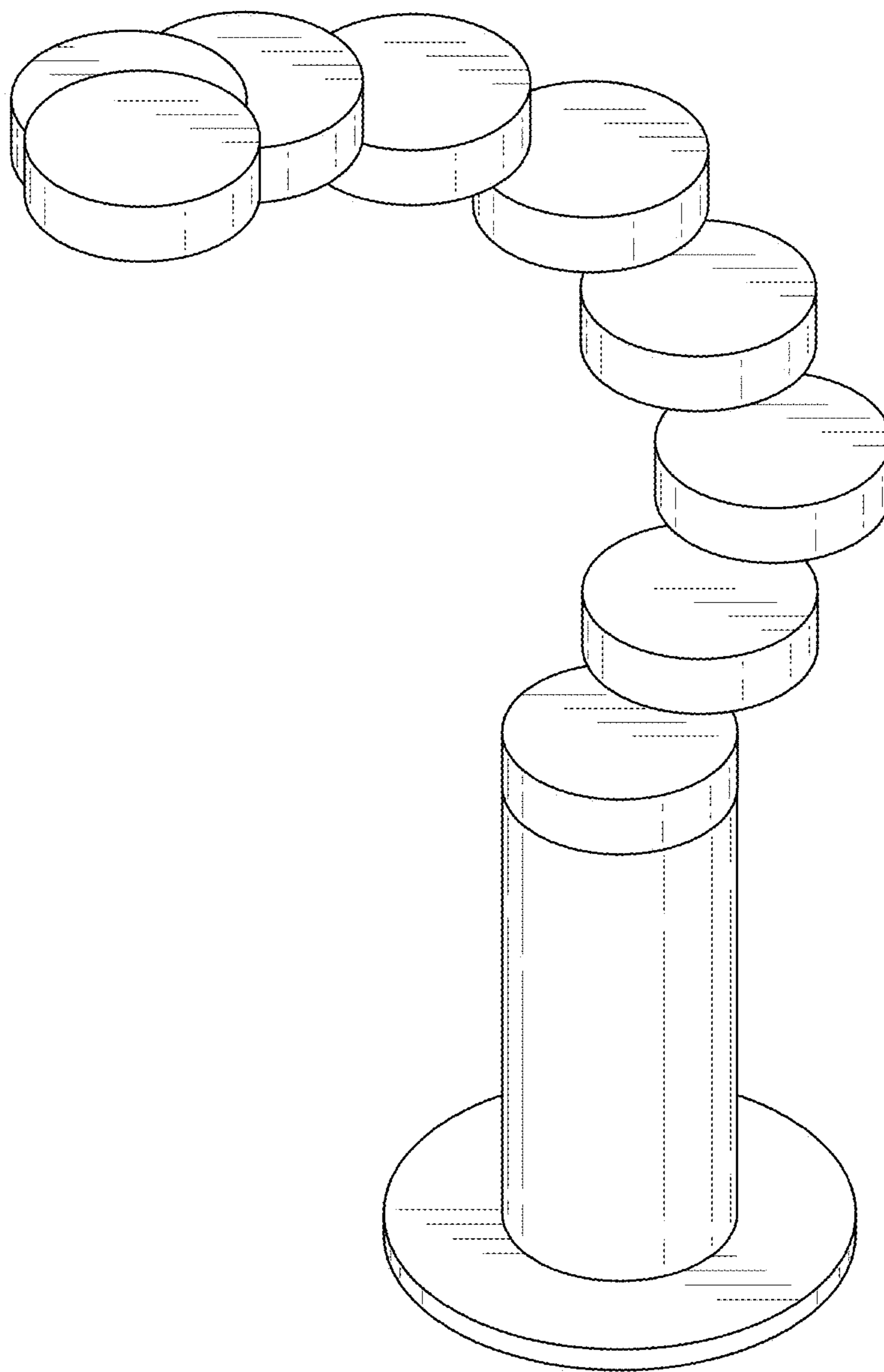


Figure 8