



US00D737494S

(12) **United States Design Patent**
Watkins

(10) **Patent No.:** **US D737,494 S**

(45) **Date of Patent:** **** Aug. 25, 2015**

(54) **ACCENT LIGHT**

(71) Applicant: **Method Lights, LLC**, Knoxville, TN
(US)

(72) Inventor: **Barton W. Watkins**, Knoxville, TN (US)

(73) Assignee: **Method Lights, LLC**, Knoxville, TN
(US)

(**) Term: **14 Years**

(21) Appl. No.: **29/479,604**

(22) Filed: **Jan. 17, 2014**

(51) **LOC (10) Cl.** **26-05**

(52) **U.S. Cl.**
USPC **D26/63; D26/87**

(58) **Field of Classification Search**
USPC D26/60-63, 85, 87, 107; 362/473, 475,
362/476, 396, 399, 432
CPC B62J 6/001; B62J 6/02; B62J 6/003;
F21S 4/00; F21S 9/02; F21V 21/00; F21V
21/08; F21L 4/02

See application file for complete search history.

(56) **References Cited**

U.S. PATENT DOCUMENTS

D86,419 S *	3/1932	Sutter	D26/63
D188,690 S *	8/1960	Copping	D26/63
D205,463 S *	8/1966	Zelenko	D26/62
3,786,245 A	1/1974	Cincotta et al.		
D231,559 S *	4/1974	Darling et al.	D26/63
D264,386 S *	5/1982	Heritage et al.	D26/63
D282,012 S *	12/1985	Meelen	D26/63
D293,478 S *	12/1987	Palone	D26/24
4,967,323 A *	10/1990	Johnson et al.	362/103
D350,621 S *	9/1994	Yuen	D26/87
D352,124 S *	11/1994	Russello et al.	D26/63
5,448,459 A *	9/1995	Rogers	362/396

D385,638 S *	10/1997	Bonnette et al.	D26/62
D394,323 S *	5/1998	West	D26/63
5,934,787 A	8/1999	Sharma		
D438,659 S *	3/2001	Lornat	D26/62
D519,662 S *	4/2006	Mullen	D26/61
7,066,619 B2	6/2006	Waters		
D559,426 S *	1/2008	Hoernig	D26/87

(Continued)

Primary Examiner — Clare E Heflin

(74) *Attorney, Agent, or Firm* — Knox Patents; Thomas A. Kulaga

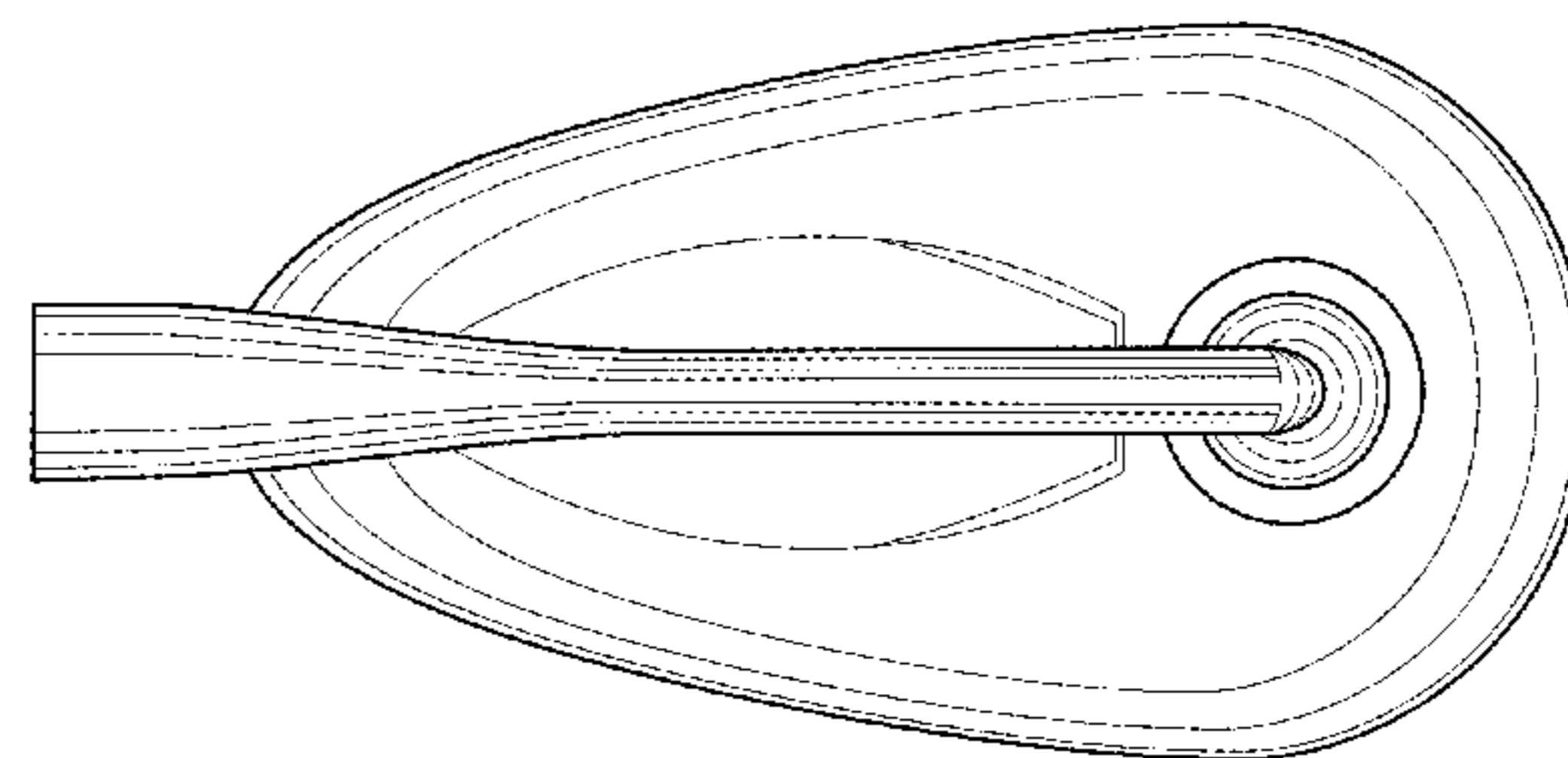
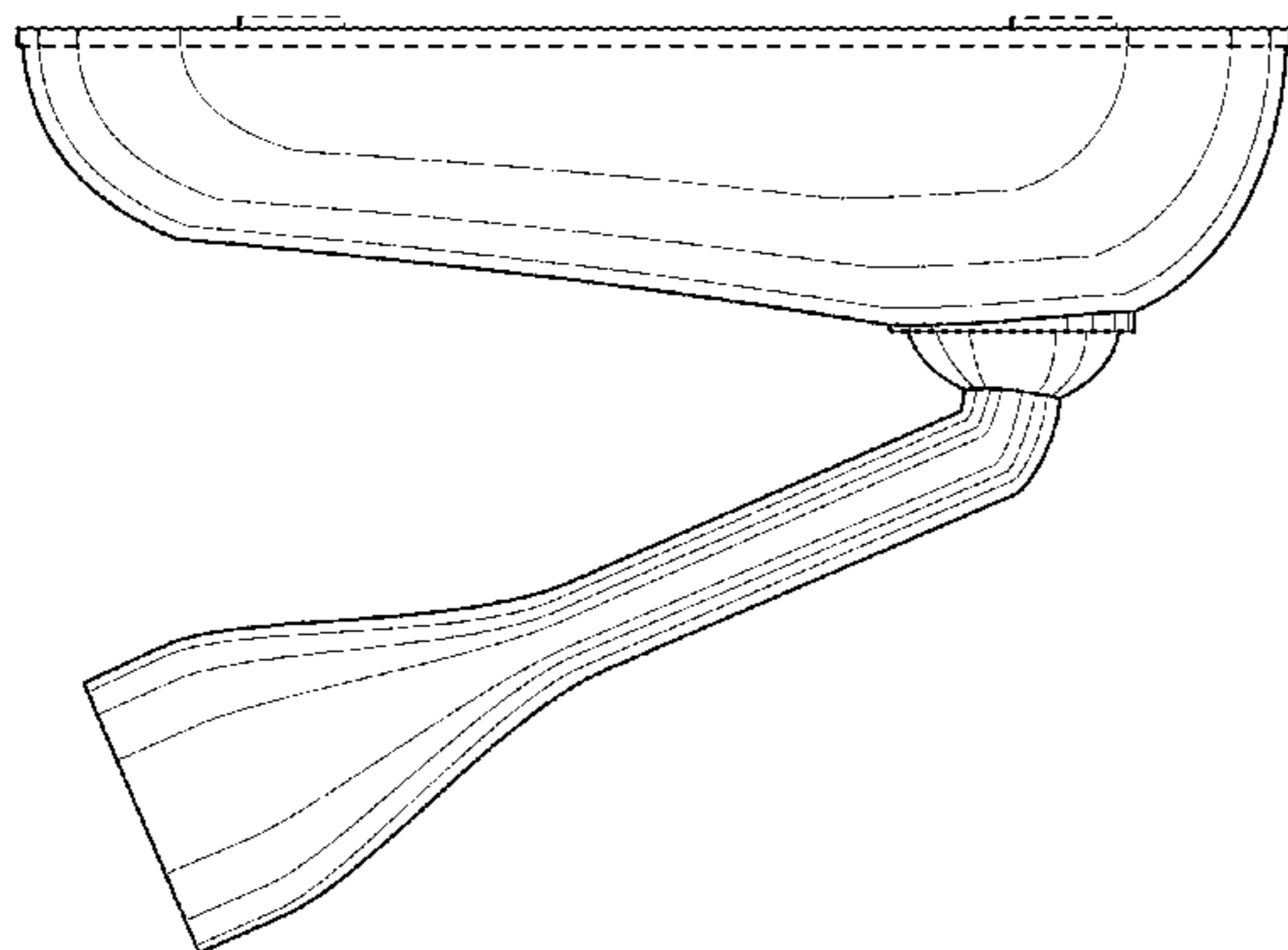
(57) **CLAIM**

The ornamental design for an accent light, as shown and described.

DESCRIPTION

FIG. 1 is a perspective view of one embodiment of an accent light showing the light stalk folded close to the base.
 FIG. 2 is a front view thereof.
 FIG. 3 is a left side view thereof, the right side view being a mirror image of the left side view.
 FIG. 4 is a left side view thereof showing the light stalk aimed away from the plane of the bottom of the base, the right side view being a mirror image of the left side view.
 FIG. 5 is a top view thereof.
 FIG. 6 is a bottom view thereof.
 FIG. 7 is a rear view thereof.
 FIG. 8 is a front view of another embodiment of the accent light.
 FIG. 9 is a left side view of the accent light of FIG. 8, the right side view being a mirror image of the left side view.
 FIG. 10 is a top view of the accent light of FIG. 8.
 FIG. 11 is a bottom view of the accent light of FIG. 8; and,
 FIG. 12 is a rear view of the accent light of FIG. 8.
 The broken lines and cross-hatching are for illustrative purposes only and form no part of the claimed design.

1 Claim, 6 Drawing Sheets



(56)

References Cited

U.S. PATENT DOCUMENTS

D574,992 S * 8/2008 Citterio D26/87
D583,975 S * 12/2008 Kushinskaya et al. D26/63

D611,637 S * 3/2010 Sabernig D26/63
D675,360 S * 1/2013 Lee D26/62
8,358,101 B2 1/2013 Dowdy et al.
D689,641 S * 9/2013 Huang D26/62

* cited by examiner

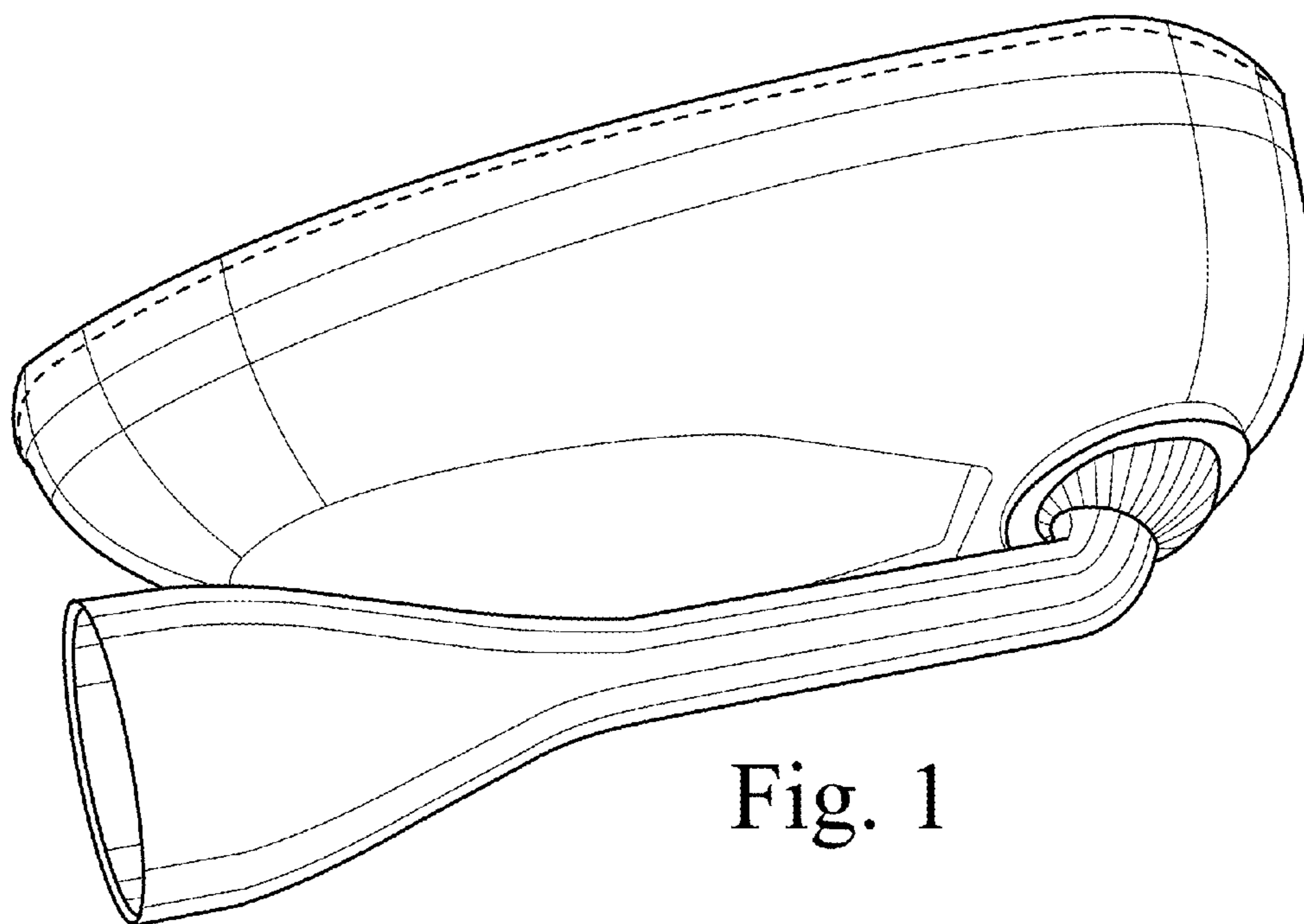


Fig. 1

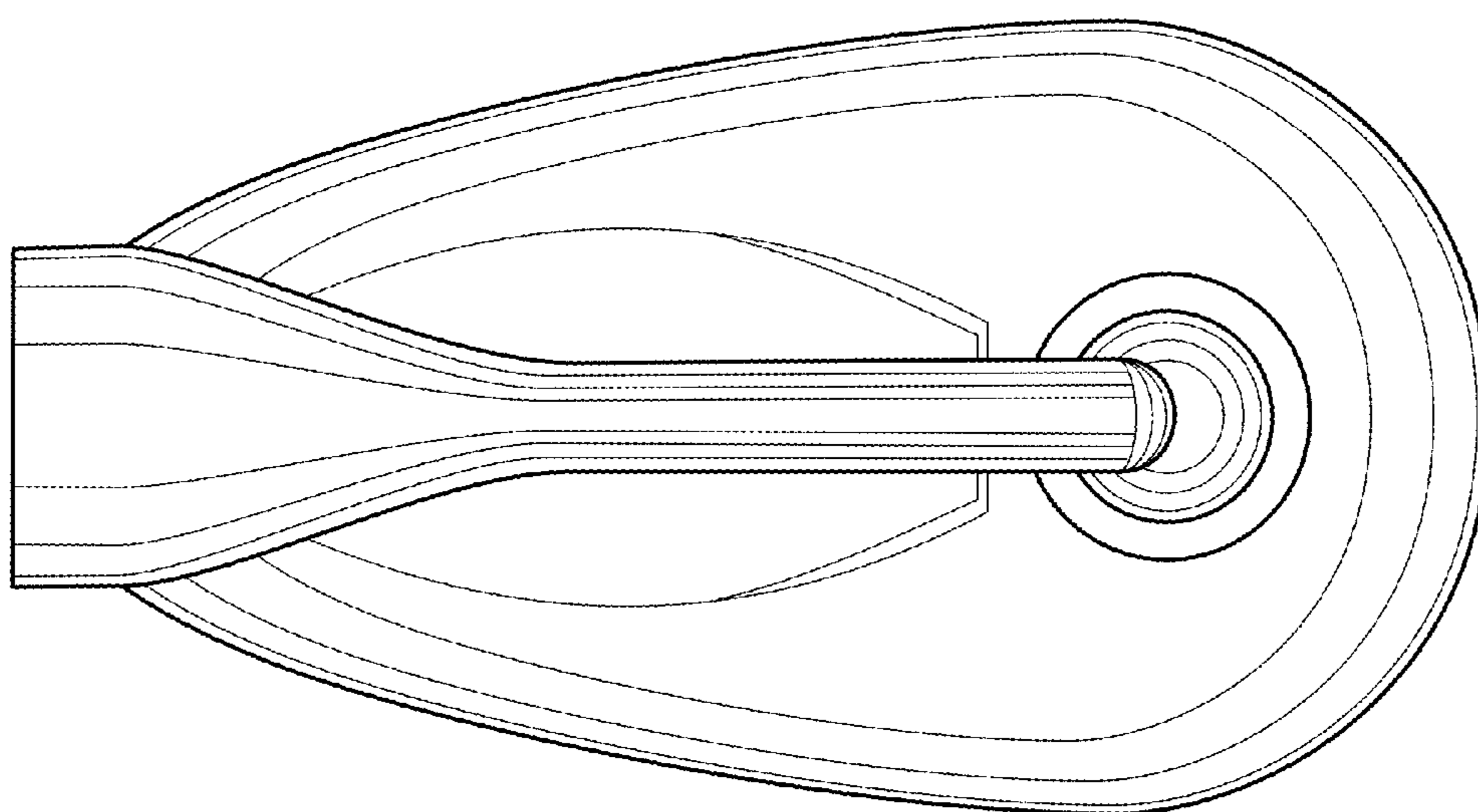


Fig. 2

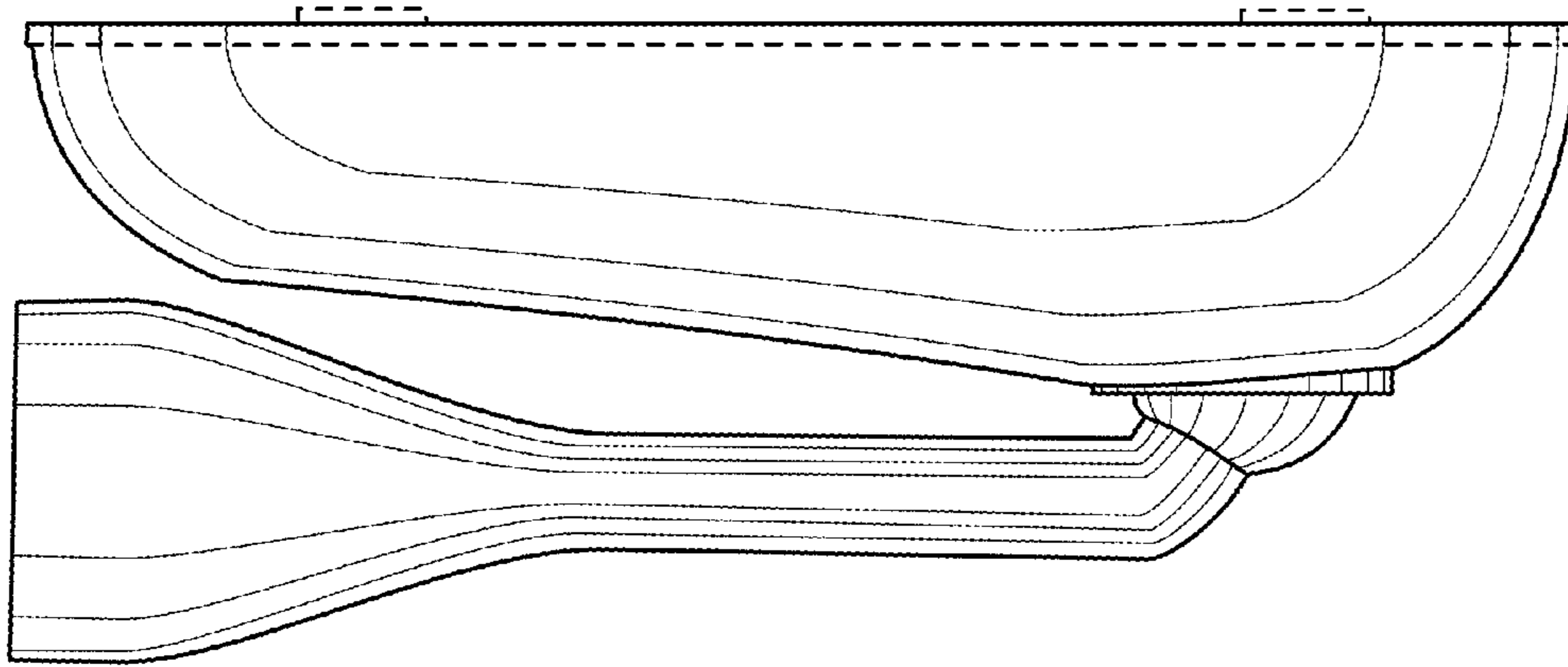


Fig. 3

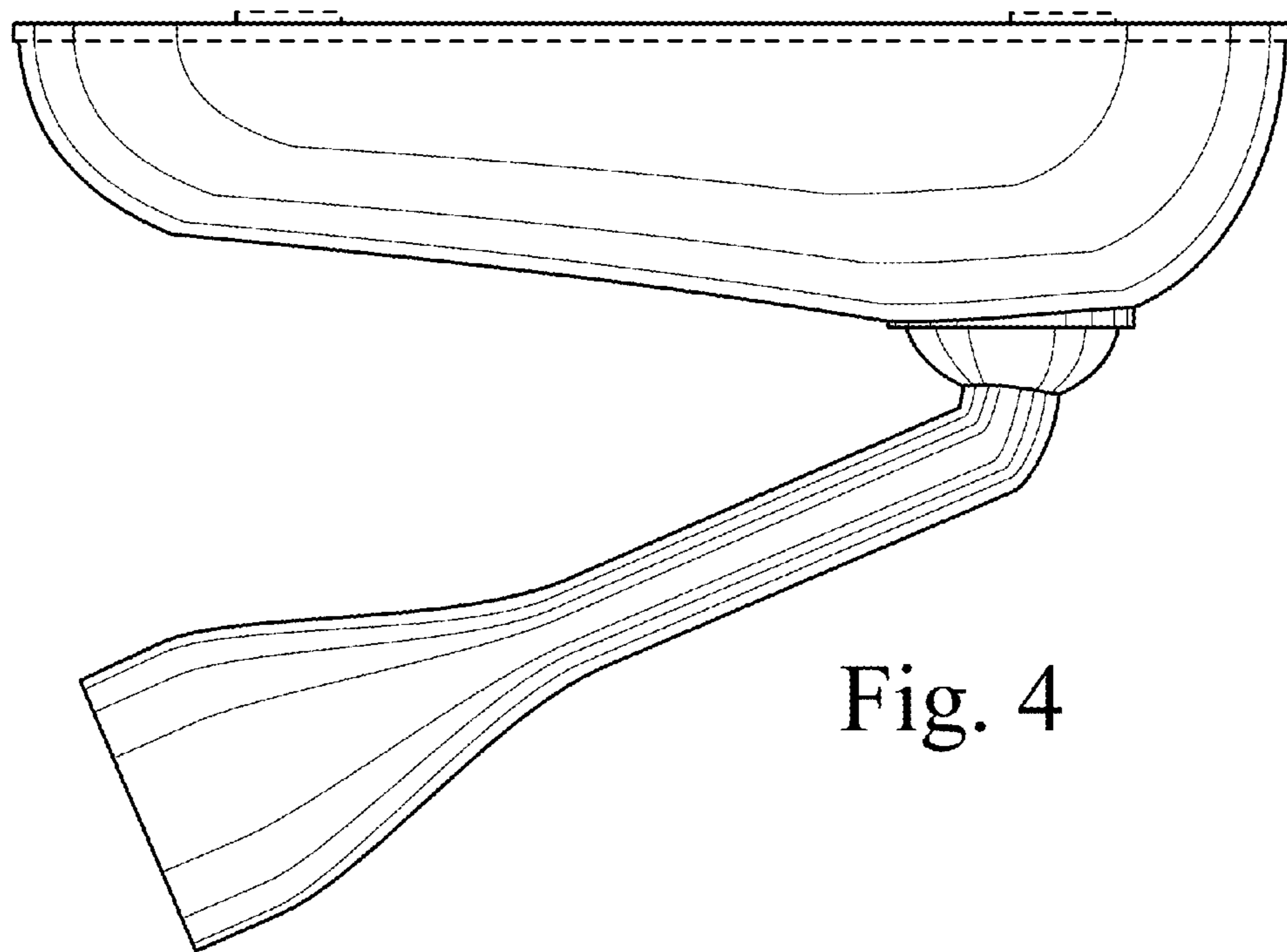


Fig. 4

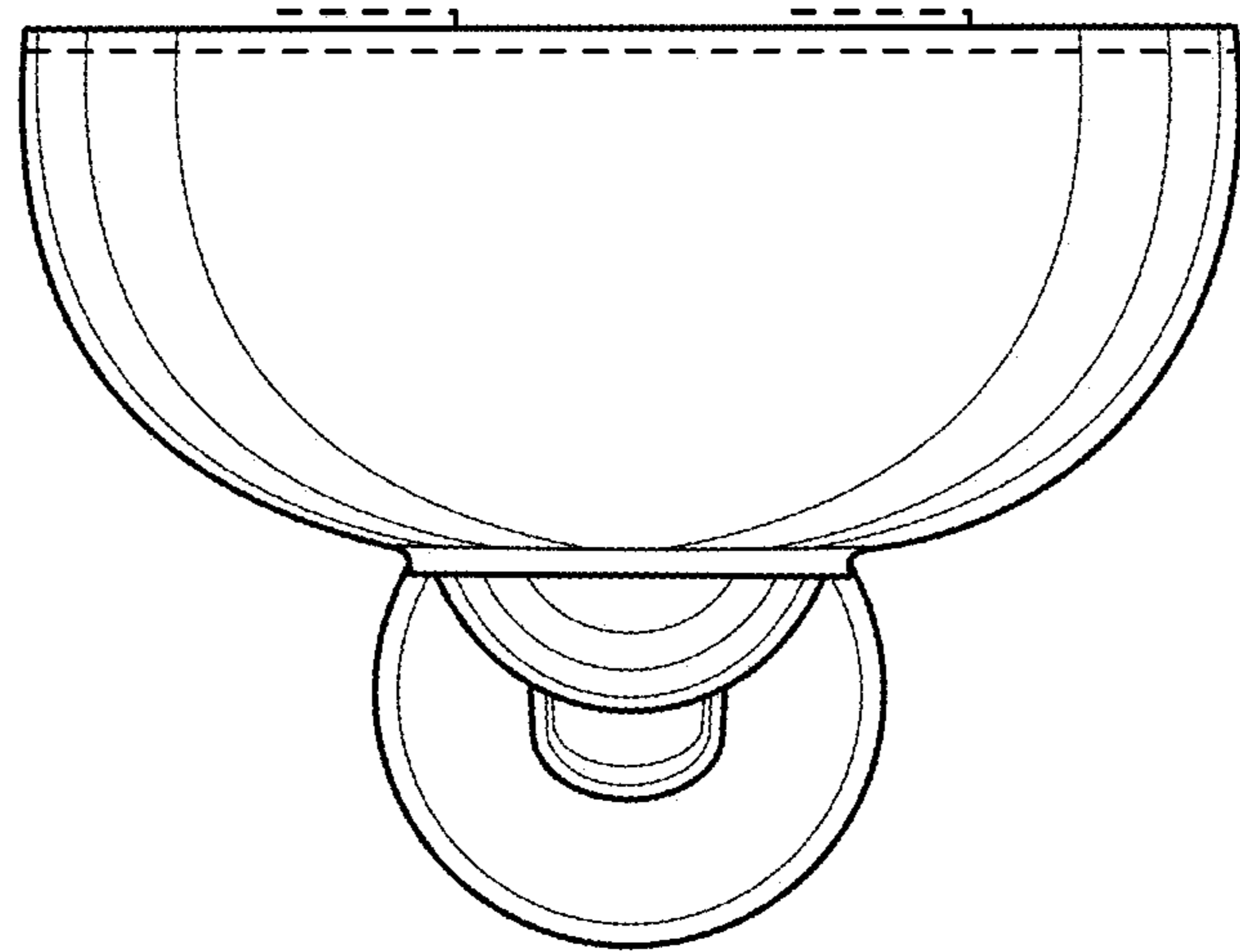


Fig. 5

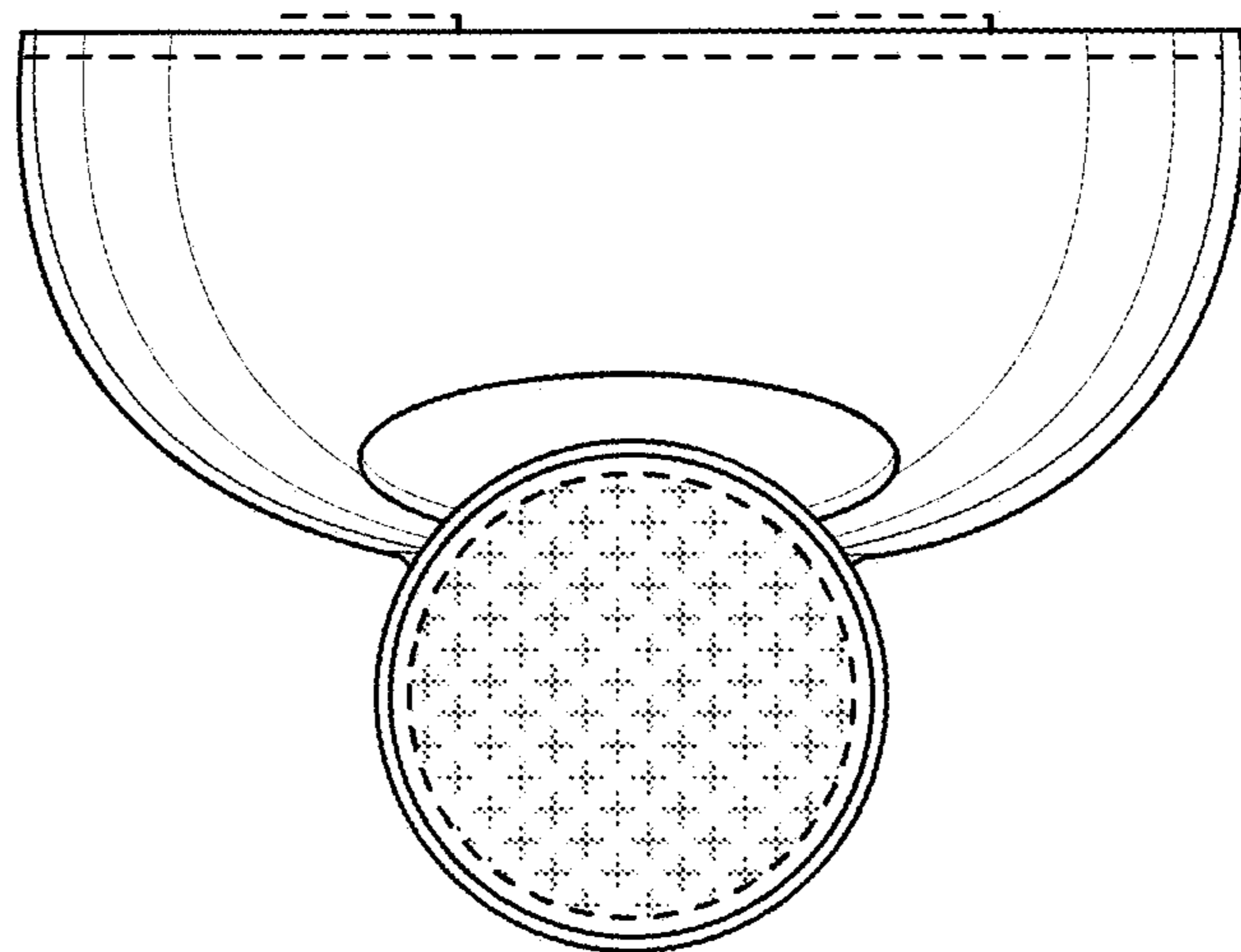


Fig. 6

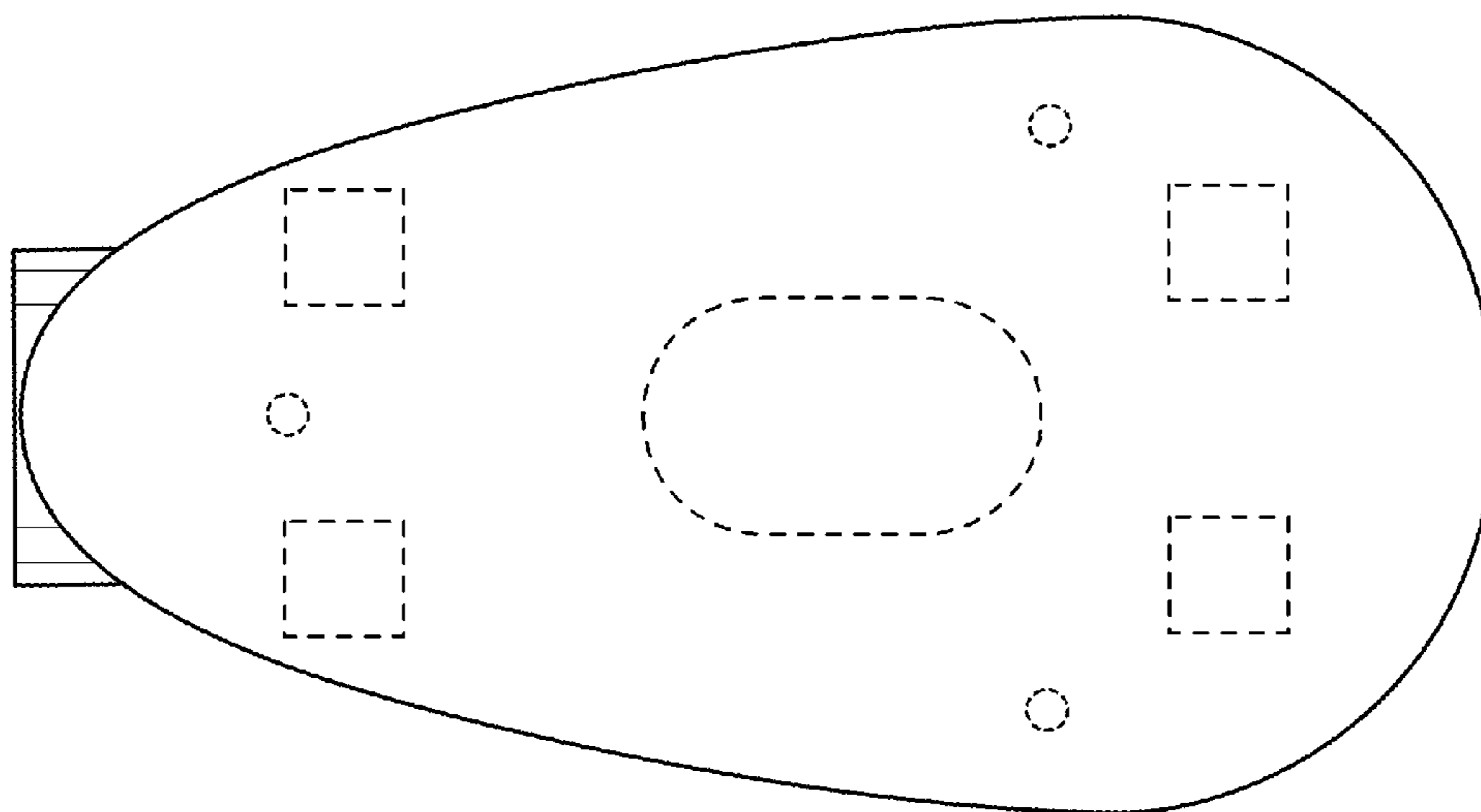


Fig. 7

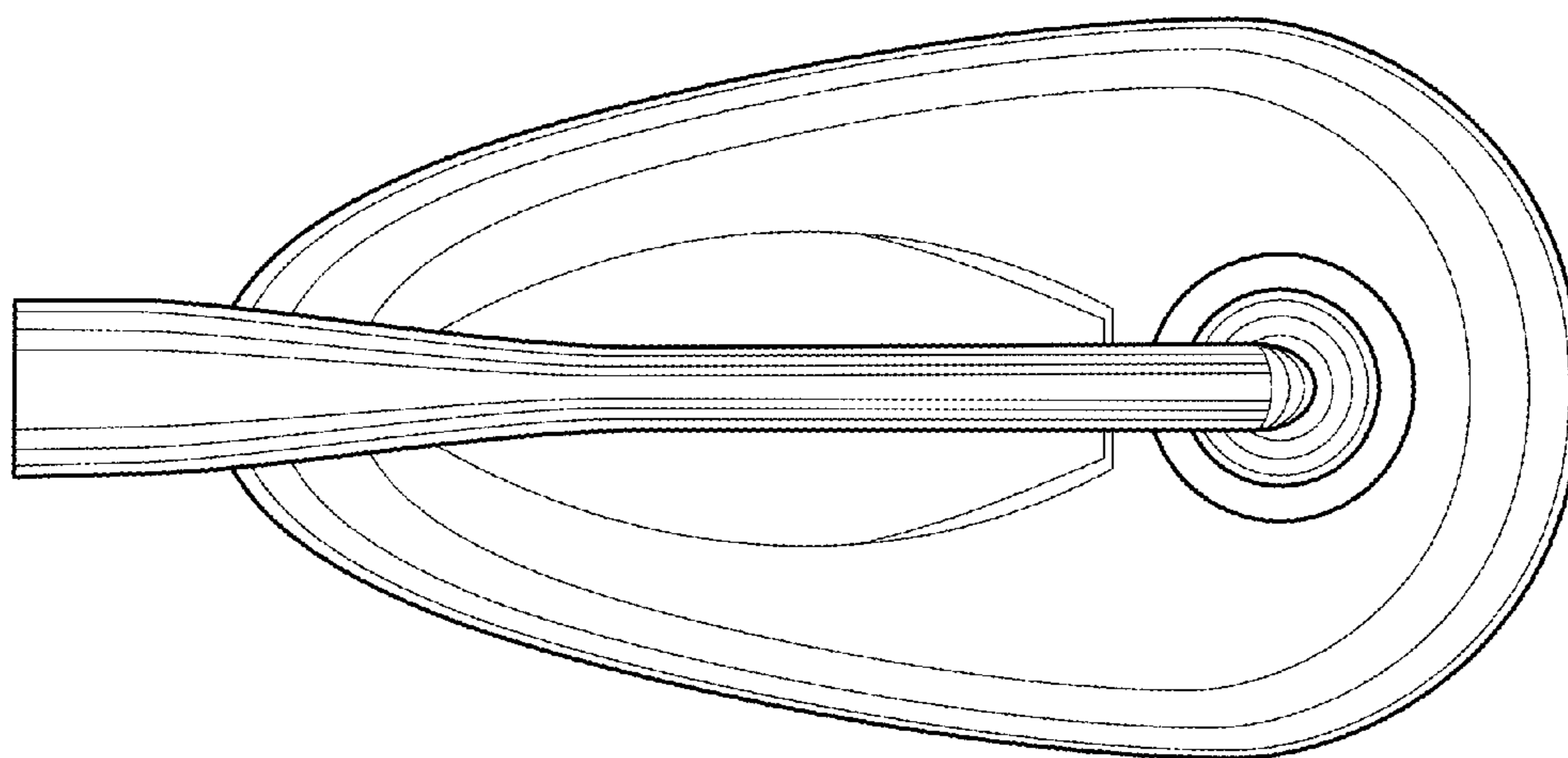


Fig. 8

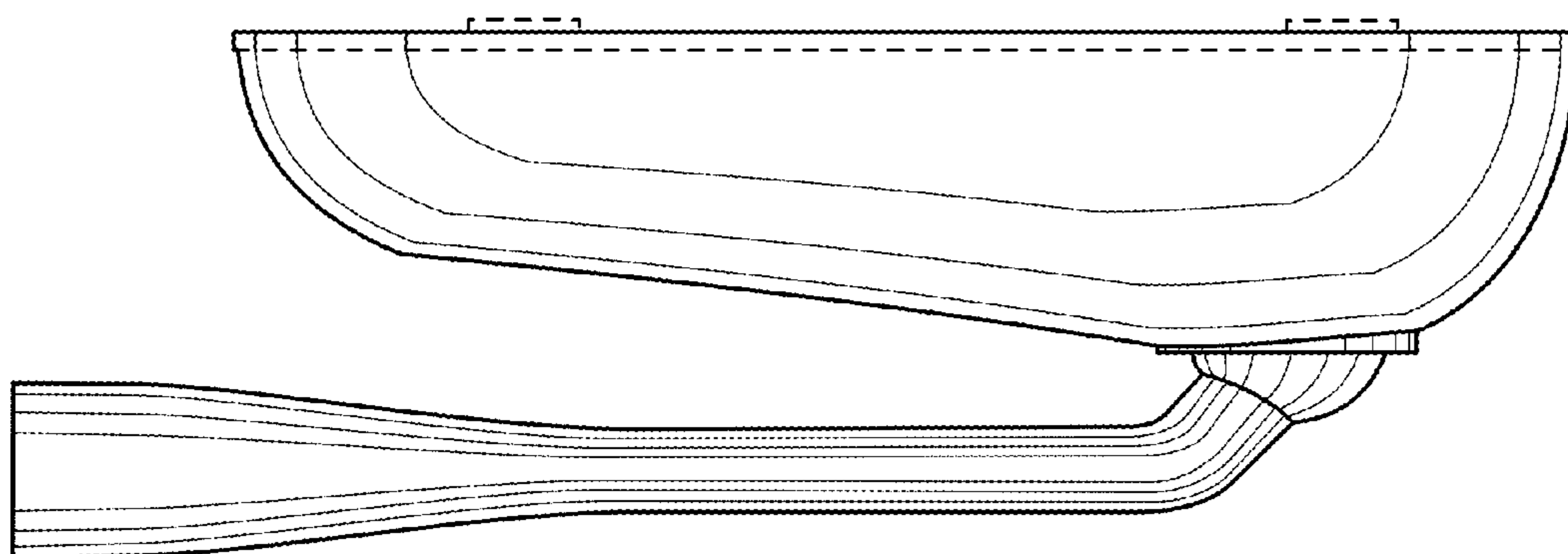


Fig. 9

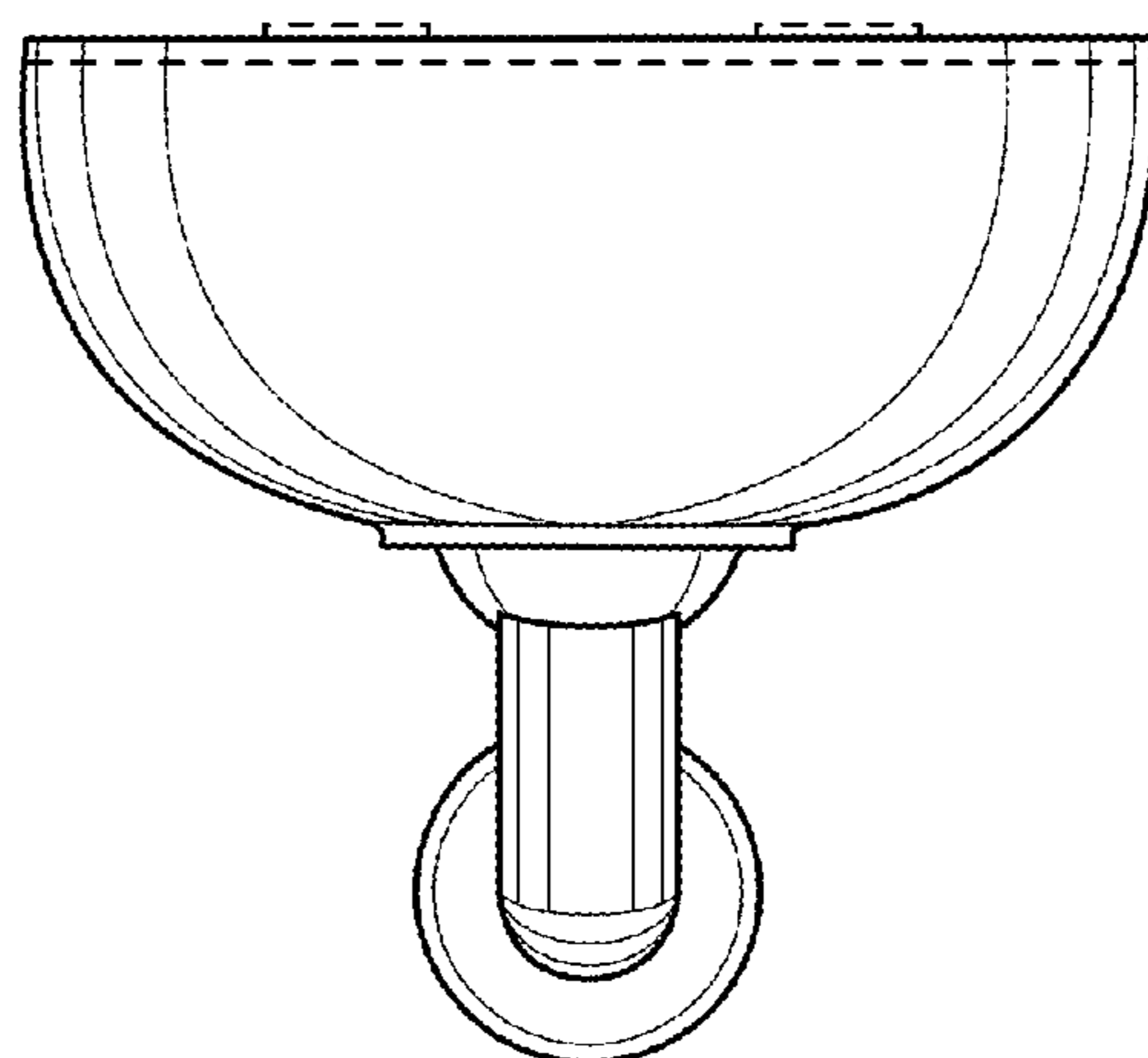


Fig. 10

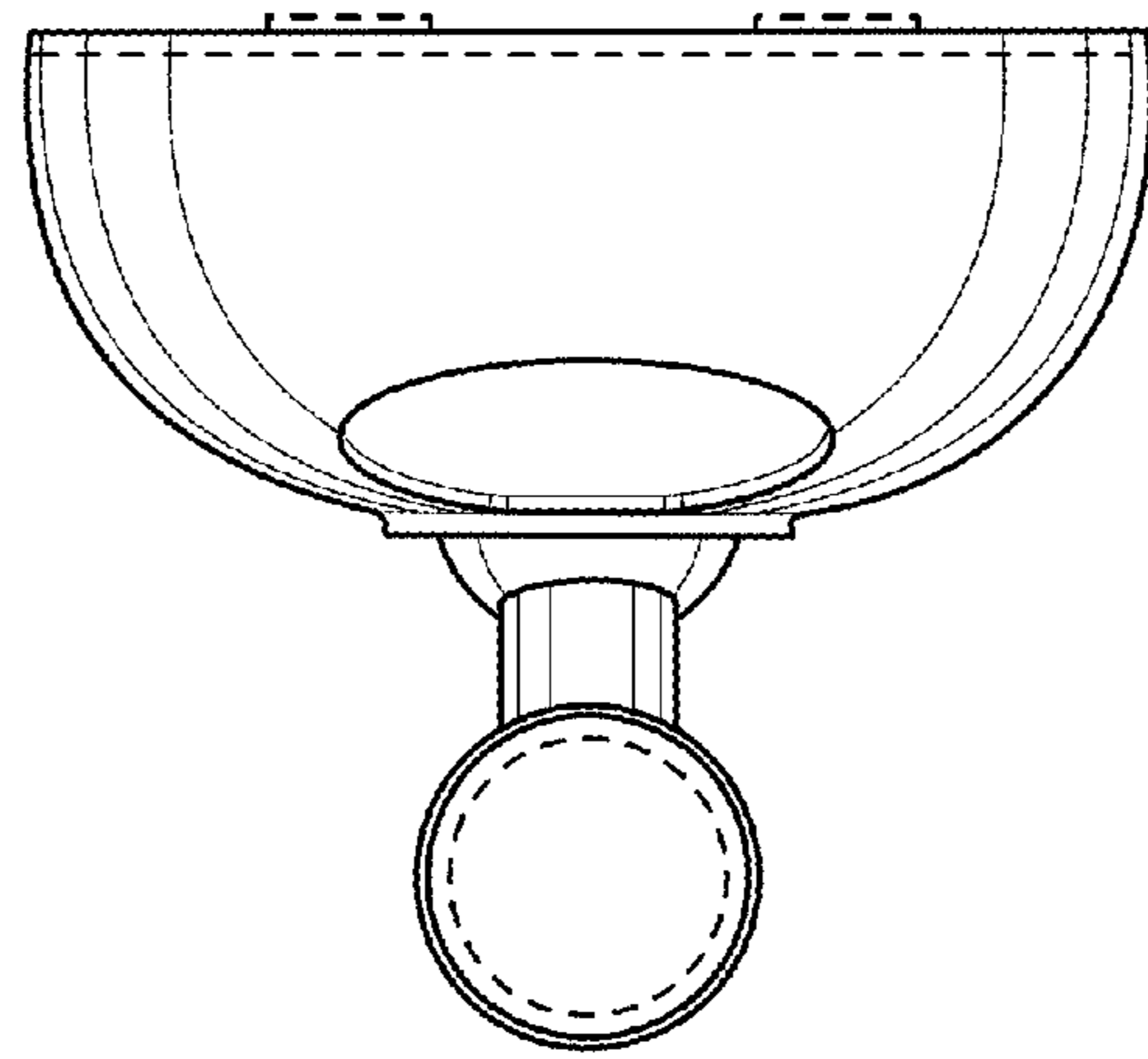


Fig. 11

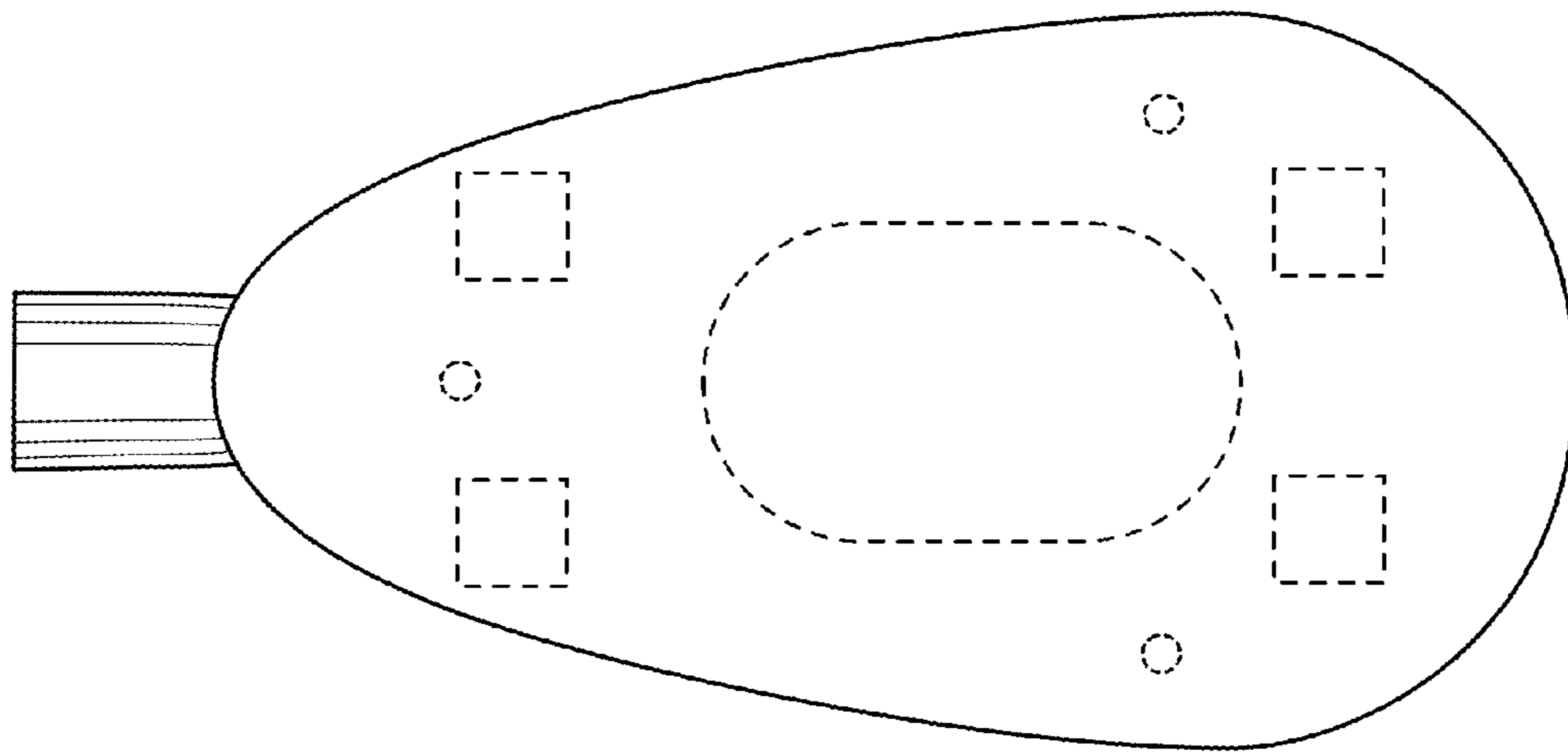


Fig. 12