



US00D737493S

(12) **United States Design Patent**
Yasuji Fletcher et al.

(10) **Patent No.:** **US D737,493 S**

(45) **Date of Patent:** **** Aug. 25, 2015**

(54) **LIGHT FIXTURE WITH MOUNTING BRACKET**

(71) Applicant: **PHOENIX PRODUCTS COMPANY, INC.**, Milwaukee, WI (US)

(72) Inventors: **Robert Kenneth Yasuji Fletcher**, Racine, WI (US); **Erwin W. Greenwaldt**, Milwaukee, WI (US)

(73) Assignee: **Phoenix Products Company, Inc.**, Milwaukee, WI (US)

(**) Term: **14 Years**

(21) Appl. No.: **29/467,637**

(22) Filed: **Sep. 20, 2013**

Related U.S. Application Data

(63) Continuation-in-part of application No. 29/420,369, filed on May 8, 2012, now Pat. No. Des. 693,508.

(51) **LOC (10) Cl.** **26-03**

(52) **U.S. Cl.**
USPC **D26/63**

(58) **Field of Classification Search**
USPC D26/1, 24, 61, 63, 65, 85, 92
CPC F21V 21/14; F21V 15/01; F21V 14/02;
F21V 21/30; F21V 21/00; F21V 14/00;
F21S 8/00; F21S 8/003; F21S 8/043; F21Y
2105/001

See application file for complete search history.

(56) **References Cited**

U.S. PATENT DOCUMENTS

D642,721 S *	8/2011	Li et al.	D26/63
D650,505 S *	12/2011	Oka	D26/63
D693,507 S *	11/2013	Fletcher et al.	D26/63
D693,508 S *	11/2013	Fletcher et al.	D26/63
D695,435 S *	12/2013	Pedersen	D26/63
D699,877 S *	2/2014	Song et al.	D26/63
D700,726 S *	3/2014	Kim et al.	D26/63
D702,387 S *	4/2014	Pedersen	D26/63
D712,581 S *	9/2014	Scarlata et al.	D26/65

* cited by examiner

Primary Examiner — Brian N Vinson

(74) *Attorney, Agent, or Firm* — Whyte Hirschboeck Dudek S.C.

(57) **CLAIM**

The ornamental design for a light fixture with mounting bracket, as shown and described.

DESCRIPTION

FIG. 1 is a front view of an embodiment of a light fixture with mounting bracket;

FIG. 2 is a back view thereof;

FIG. 3 is a left side view thereof;

FIG. 4 is a right side view thereof;

FIG. 5 is a top view thereof;

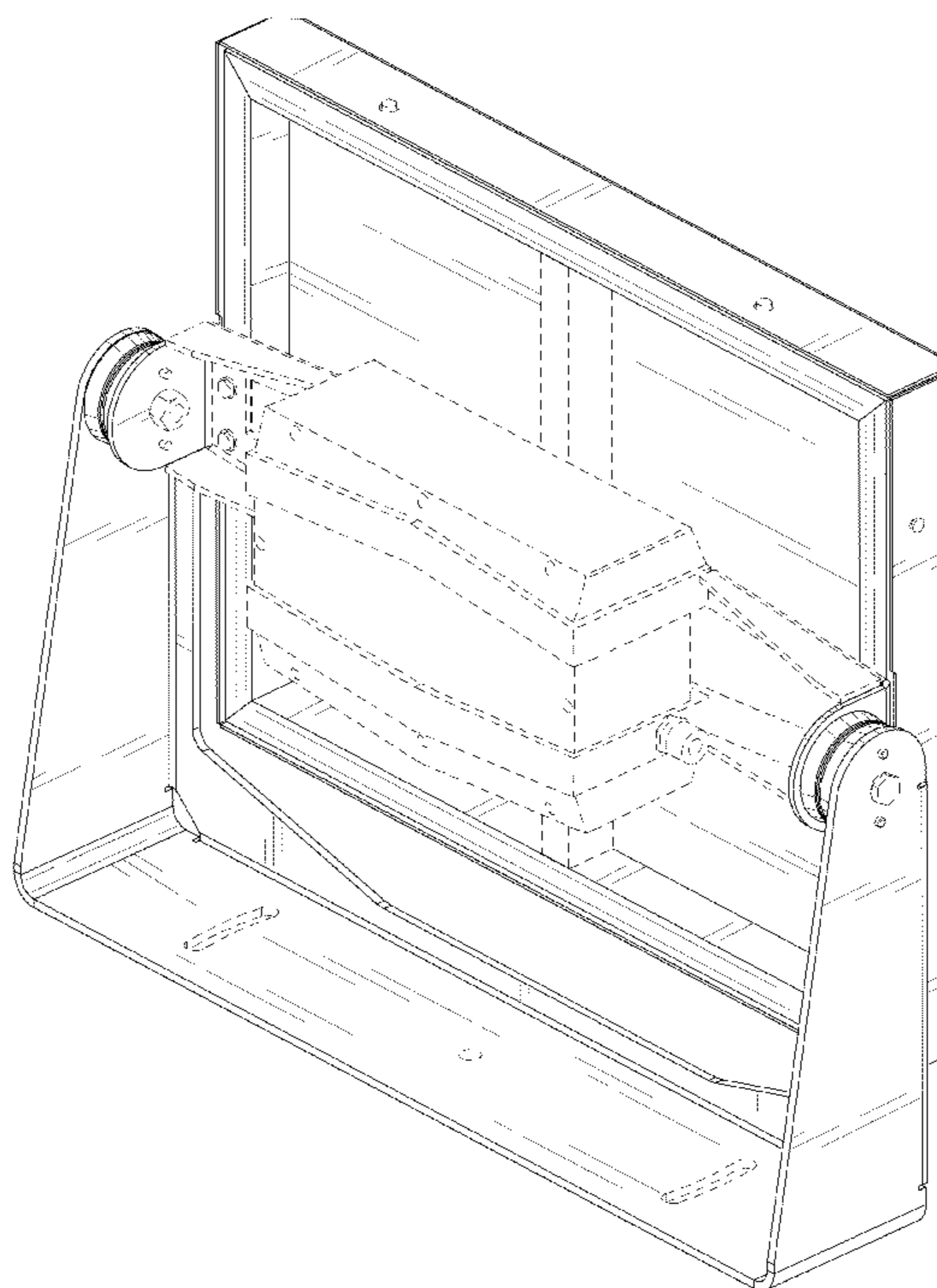
FIG. 6 is a bottom view thereof;

FIG. 7 is a front perspective view thereof; and,

FIG. 8 is a back perspective view thereof.

The broken lines shown in the drawings illustrate unclaimed portions of the light fixture with mounting bracket and form no part of the claimed design.

1 Claim, 6 Drawing Sheets



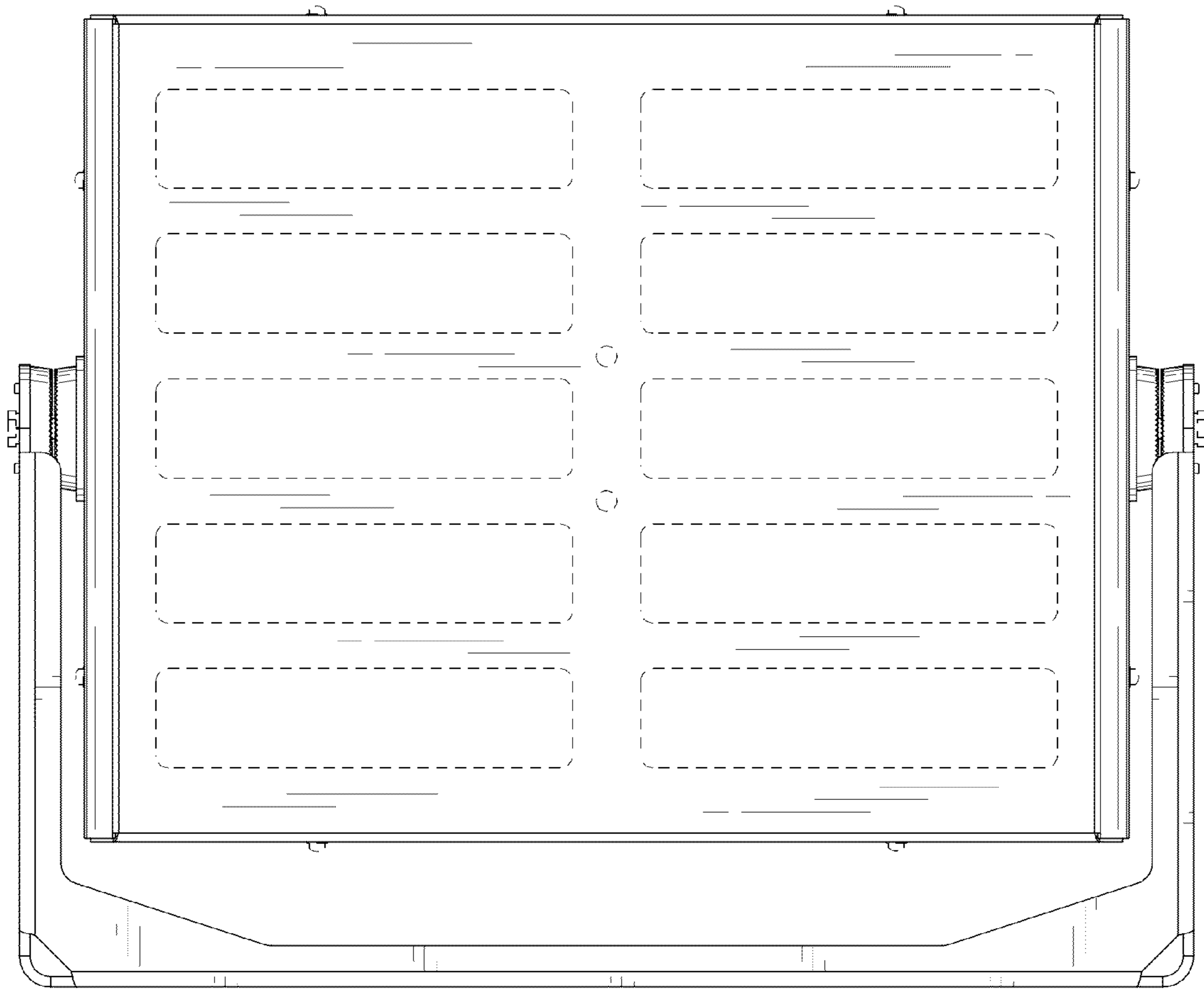


FIG. 1

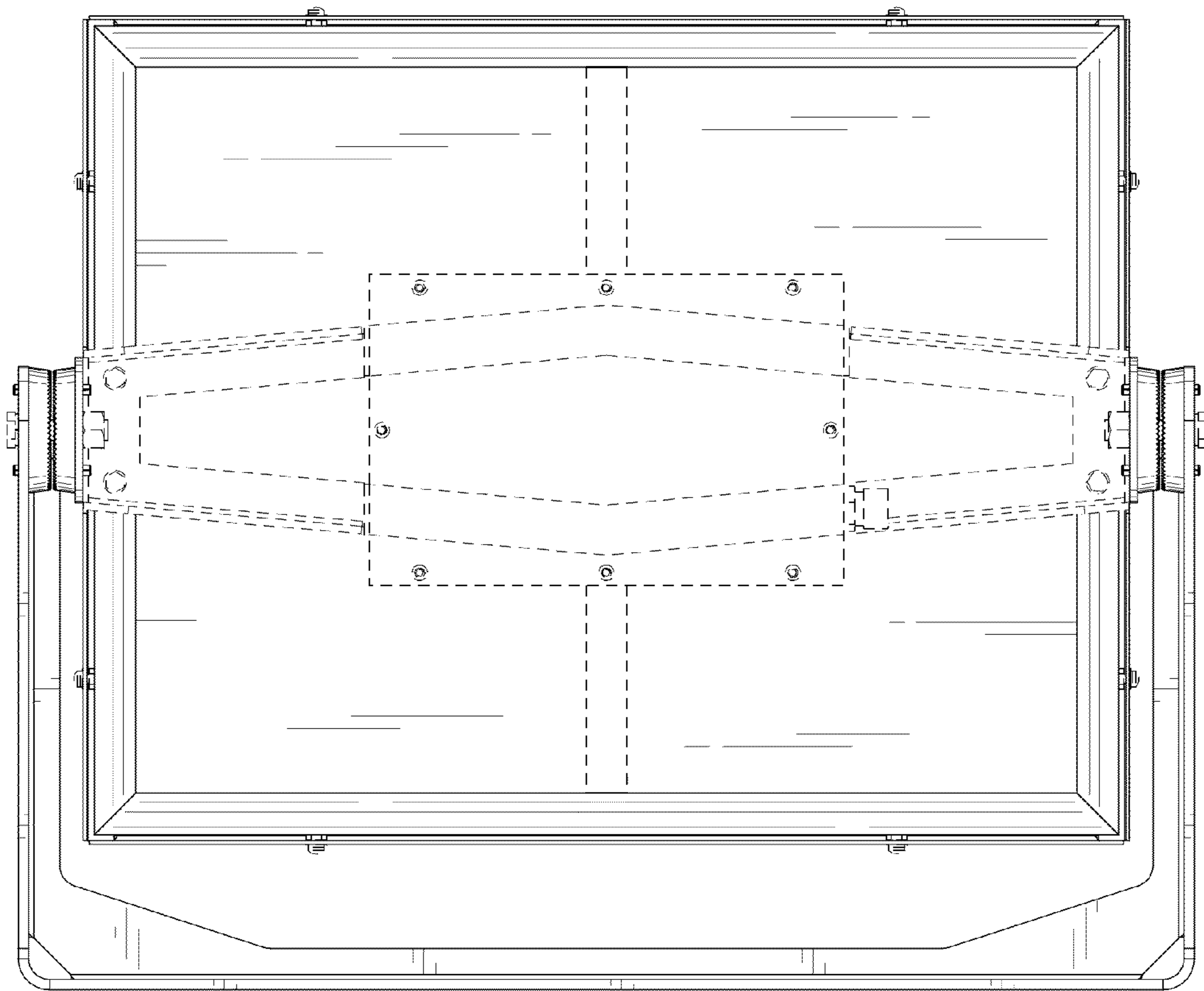


FIG. 2

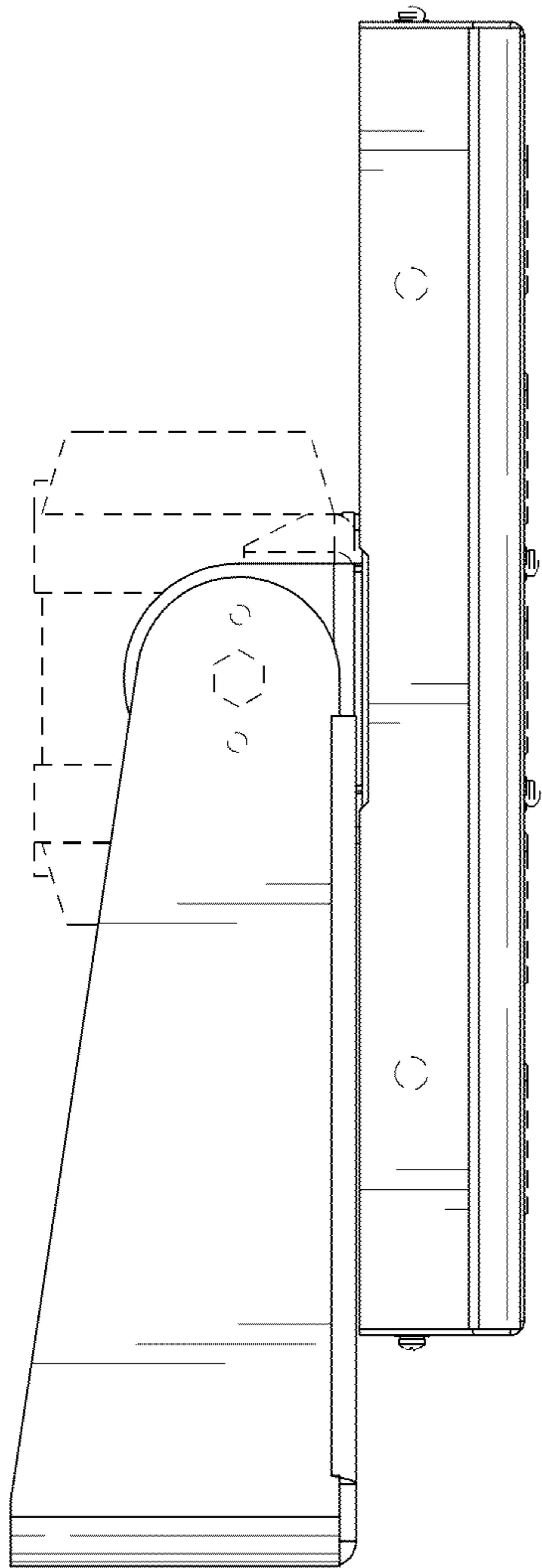


FIG. 3

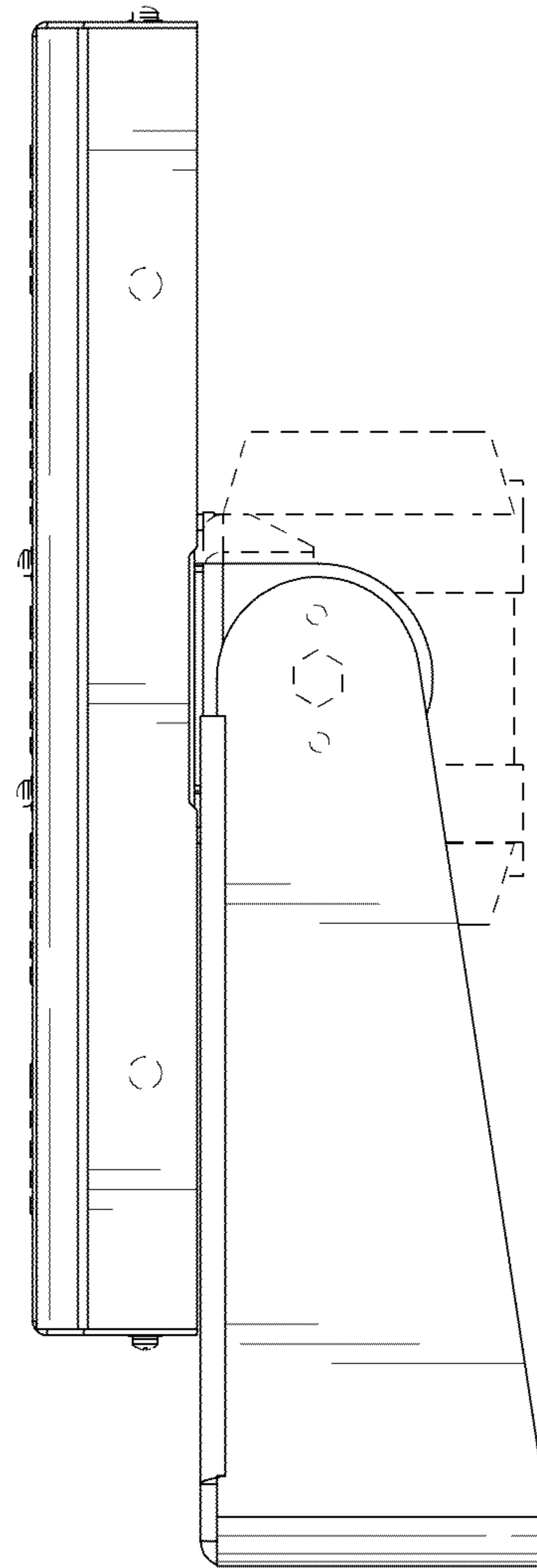


FIG. 4

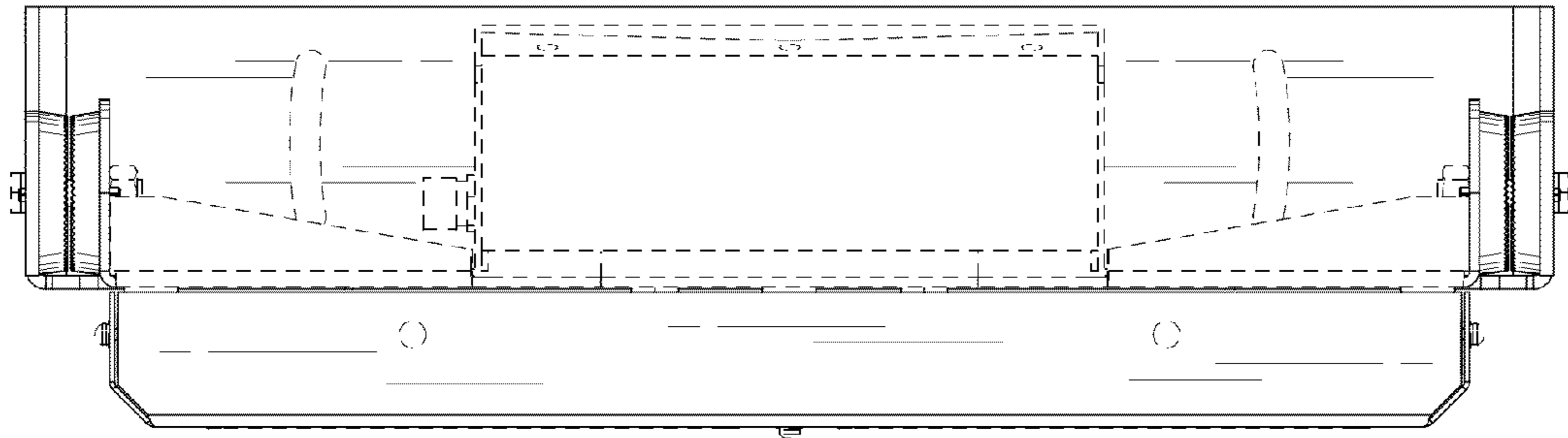


FIG. 5

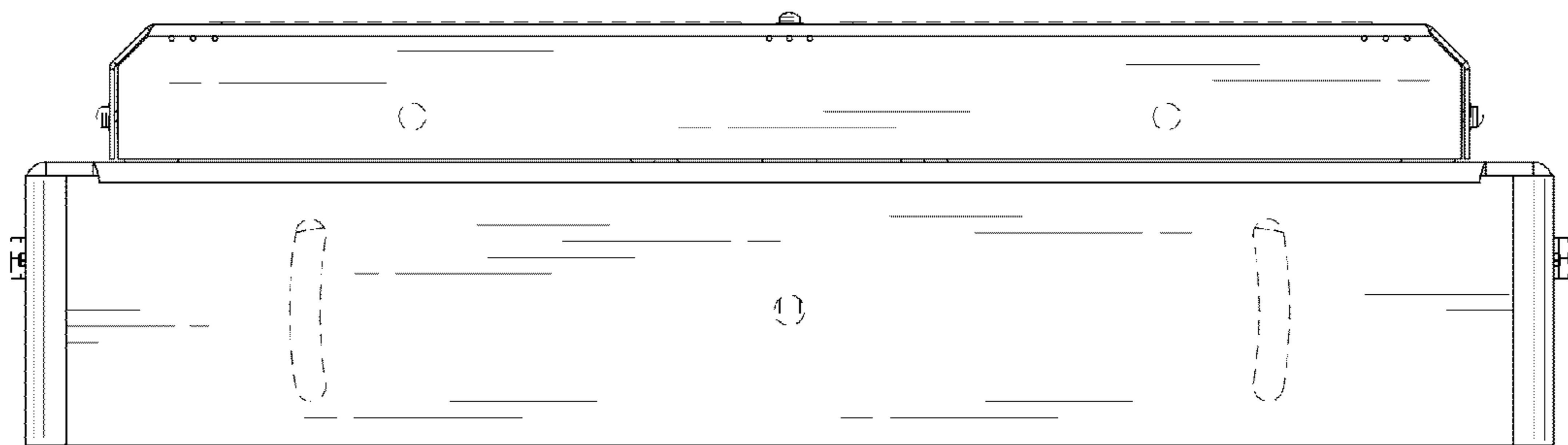


FIG. 6

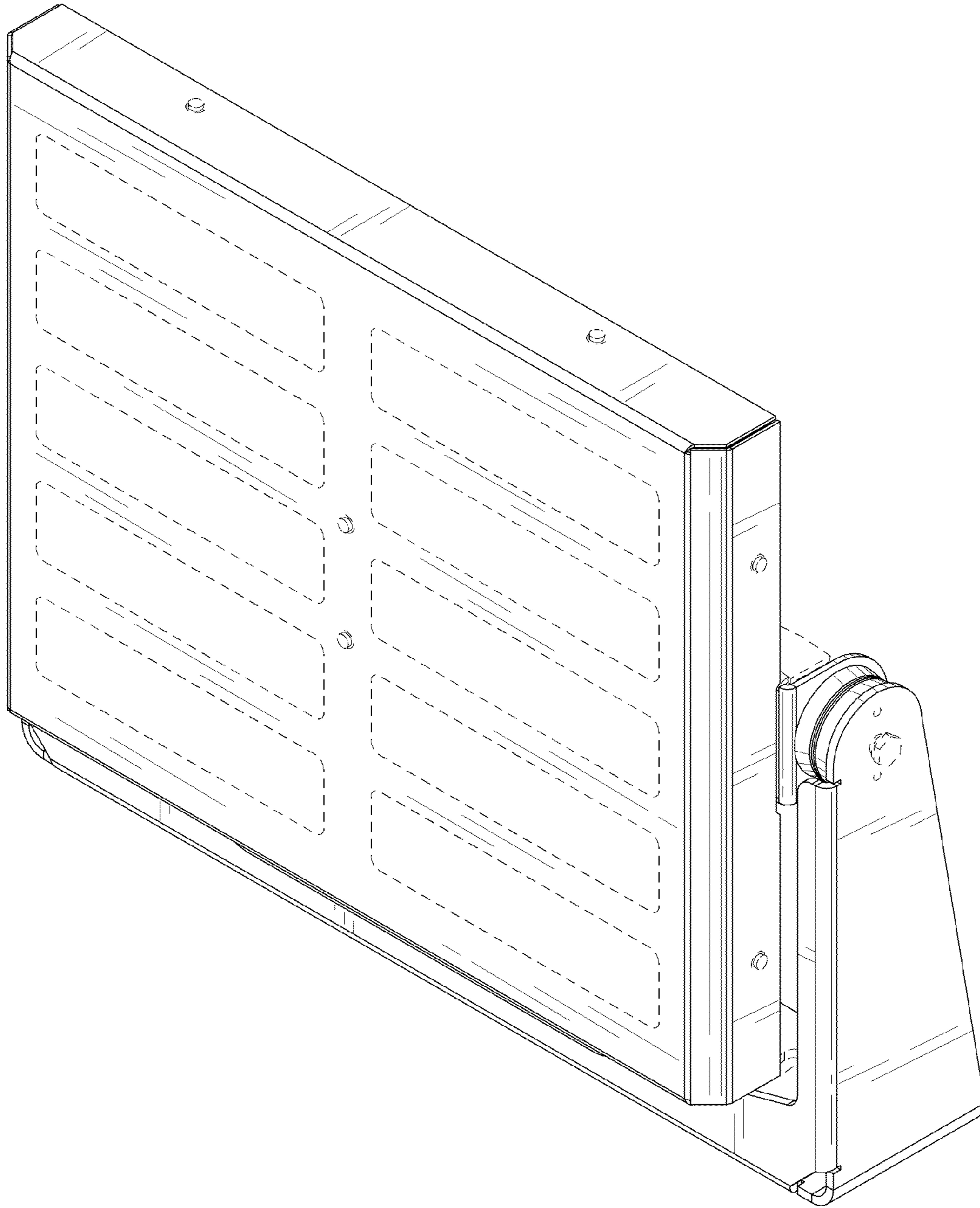


FIG. 7

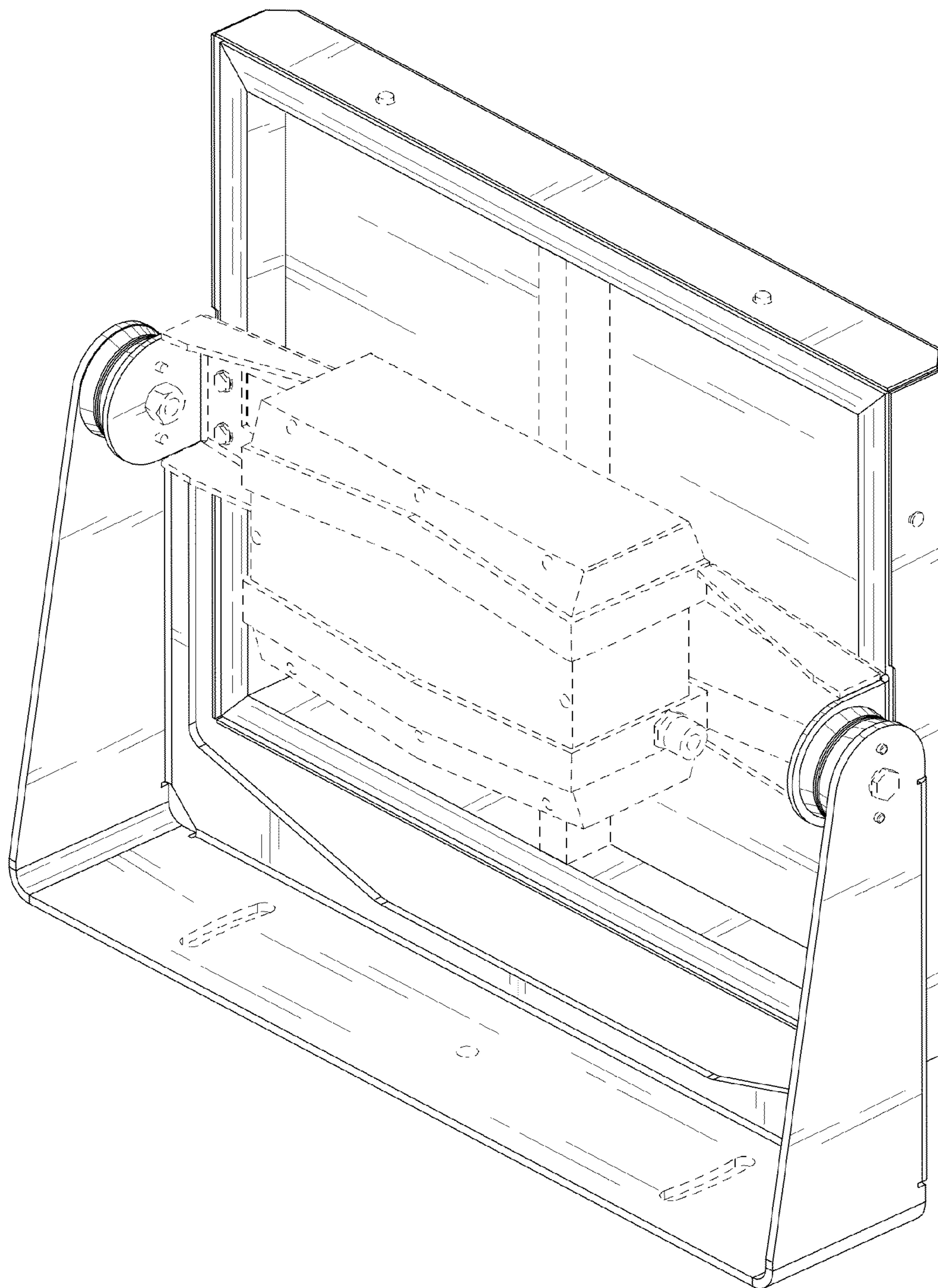


FIG. 8