



US00D737492S

(12) **United States Design Patent**
Li

(10) **Patent No.:** **US D737,492 S**

(45) **Date of Patent:** **** Aug. 25, 2015**

(54) **CLIP-ON LED LIGHT**

(56) **References Cited**

(71) Applicant: **Shenzhen Xingrisheng Industrial Co., Ltd.**, Shenzhen (CN)

U.S. PATENT DOCUMENTS

(72) Inventor: **Xiuqi Li**, Shenzhen (CN)

D376,219	S	*	12/1996	Heuel	D26/62
7,118,241	B2	*	10/2006	Sohn	362/106
D590,976	S	*	4/2009	Levine	D26/60
D615,681	S	*	5/2010	Thomson et al.	D26/63
D629,131	S	*	12/2010	Seal et al.	D26/60
D636,916	S	*	4/2011	Nelson et al.	D26/60
D636,919	S	*	4/2011	Wang et al.	D26/63
7,918,585	B2	*	4/2011	Tucker	362/249.05
D648,883	S	*	11/2011	Levine	D26/60
D662,636	S	*	6/2012	Katsaros	D26/60
D668,808	S	*	10/2012	Hoover et al.	D26/60
D671,665	S	*	11/2012	Mish et al.	D26/60
D690,858	S	*	10/2013	Citterio	D26/63

(73) Assignee: **SHENZHEN XINGRISHENG INDUSTRIAL CO., LTD.**, Shenzhen (CN)

(**) Term: **14 Years**

* cited by examiner

(21) Appl. No.: **29/471,636**

Primary Examiner — Clare E Heflin

(22) Filed: **Nov. 4, 2013**

(30) **Foreign Application Priority Data**

(57) **CLAIM**

May 6, 2013 (CN) 2013 3 0158479

The ornamental design for a clip-on LED light, as shown and described.

(51) **LOC (10) Cl.** **26-05**

DESCRIPTION

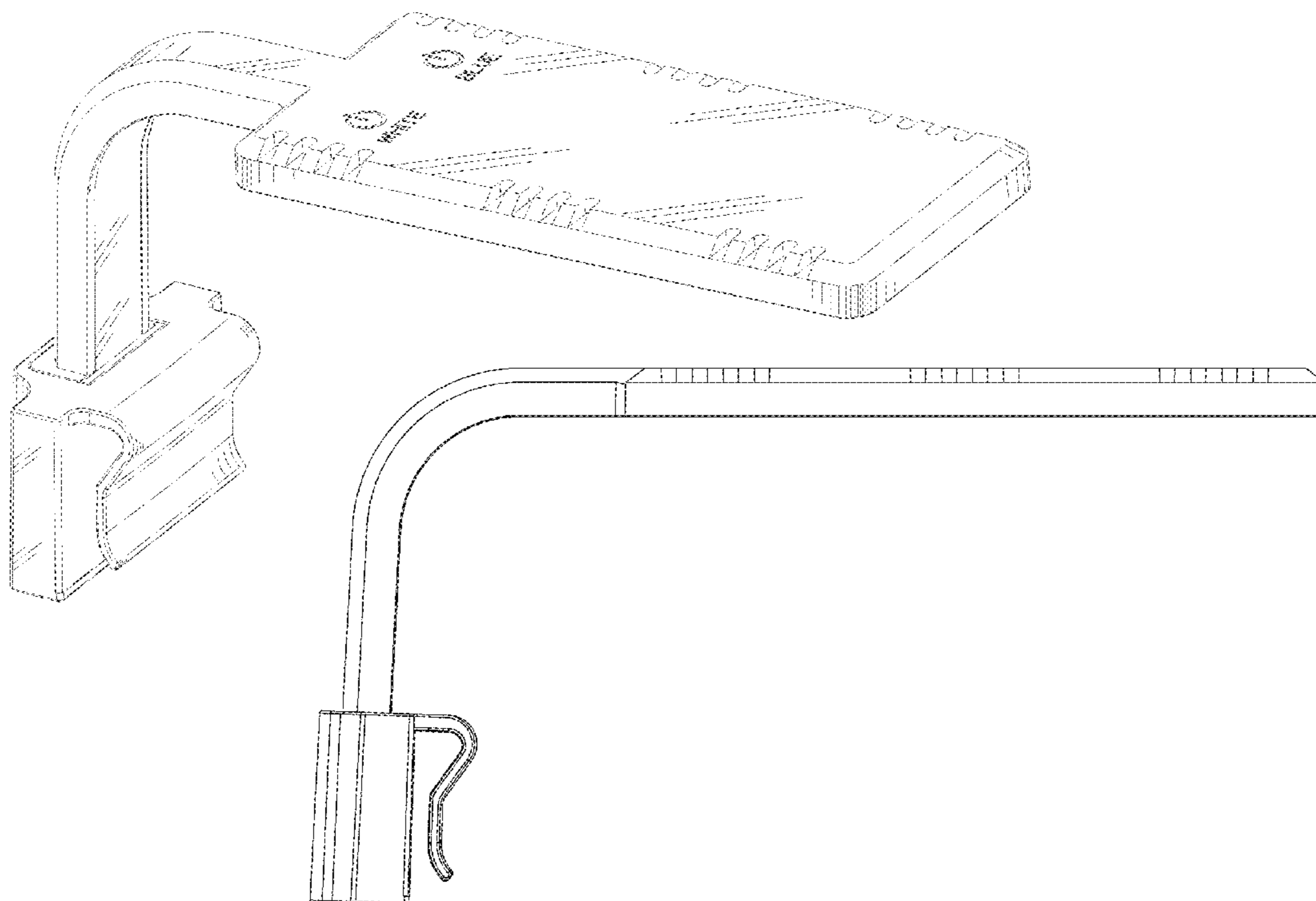
(52) **U.S. Cl.**
USPC **D26/60**

FIG. 1 is a front perspective view of the clip-on LED light showing my new design;
FIG. 2 is an exploded rear perspective view thereof;
FIG. 3 is a side elevation view thereof;
FIG. 4 is an opposite side elevation view thereof;
FIG. 5 is a front elevation view thereof;
FIG. 6 is a rear elevation view thereof;
FIG. 7 is a top plan view thereof; and,
FIG. 8 is a bottom plan view thereof.

(58) **Field of Classification Search**
USPC D26/28, 60-63; 362/473, 475, 476, 362/396, 399
CPC B62J 6/001; B62J 6/02; B62J 6/003; F21S 4/00; F21V 21/00

See application file for complete search history.

1 Claim, 5 Drawing Sheets



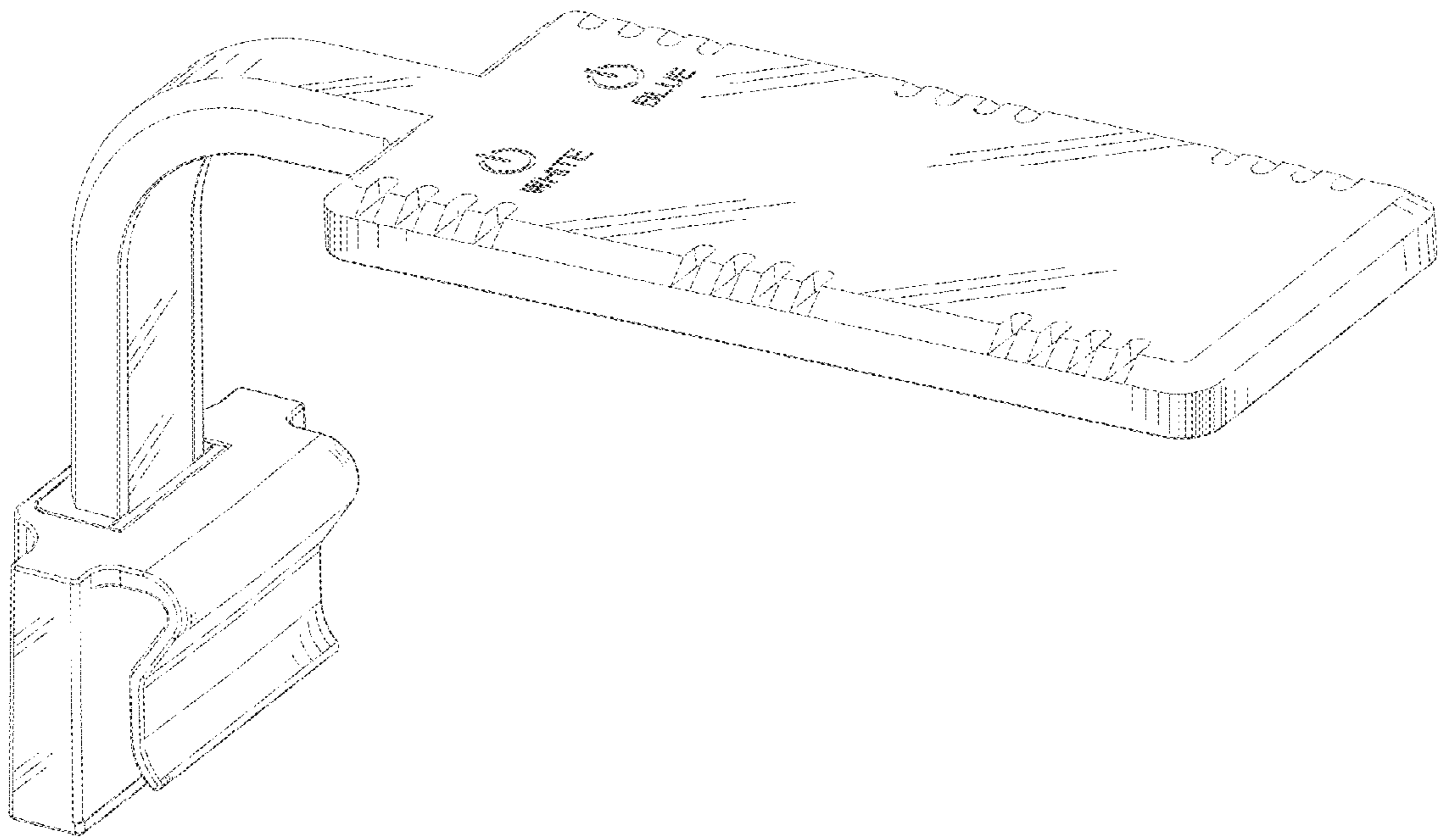


Fig.1

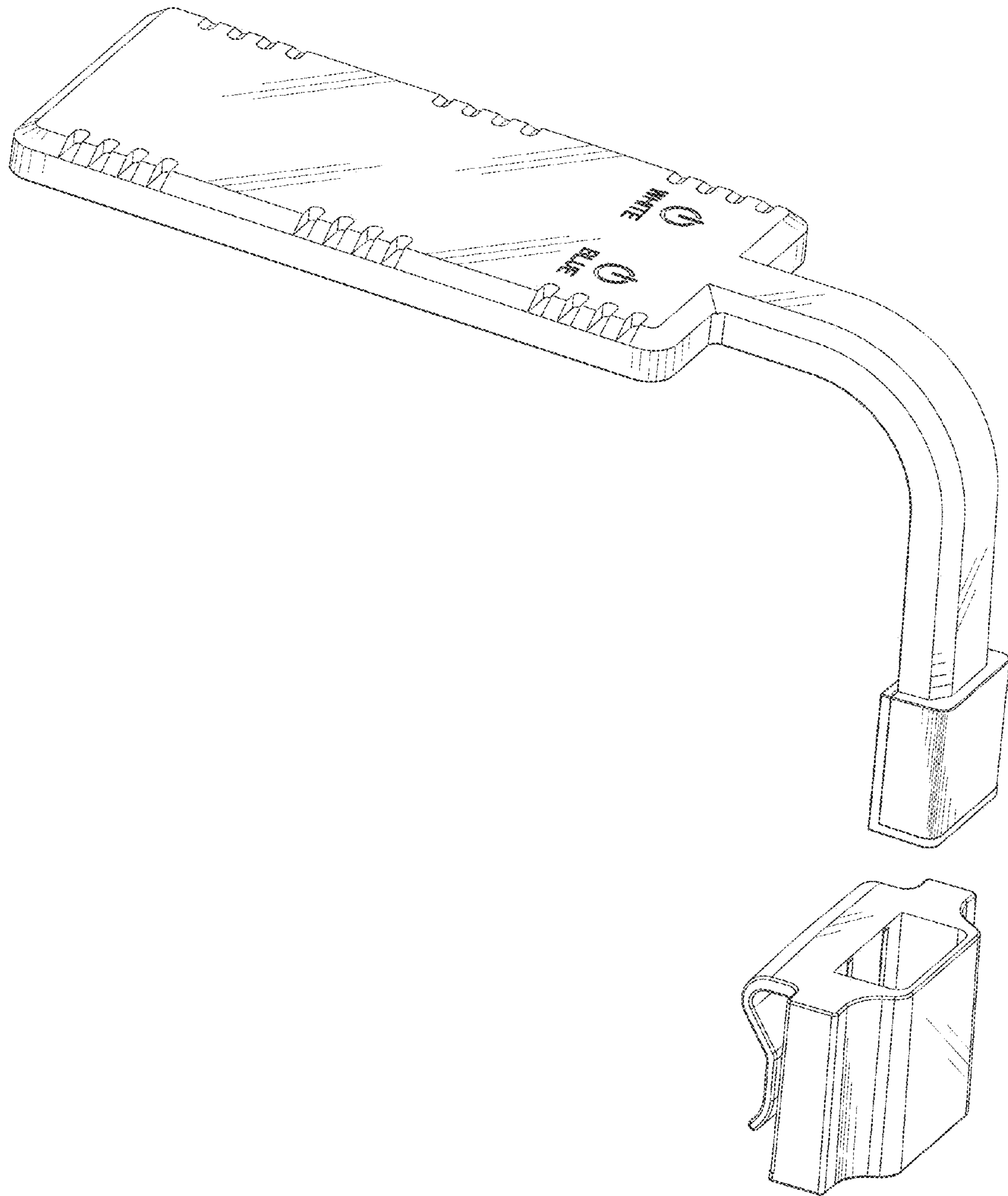


Fig.2

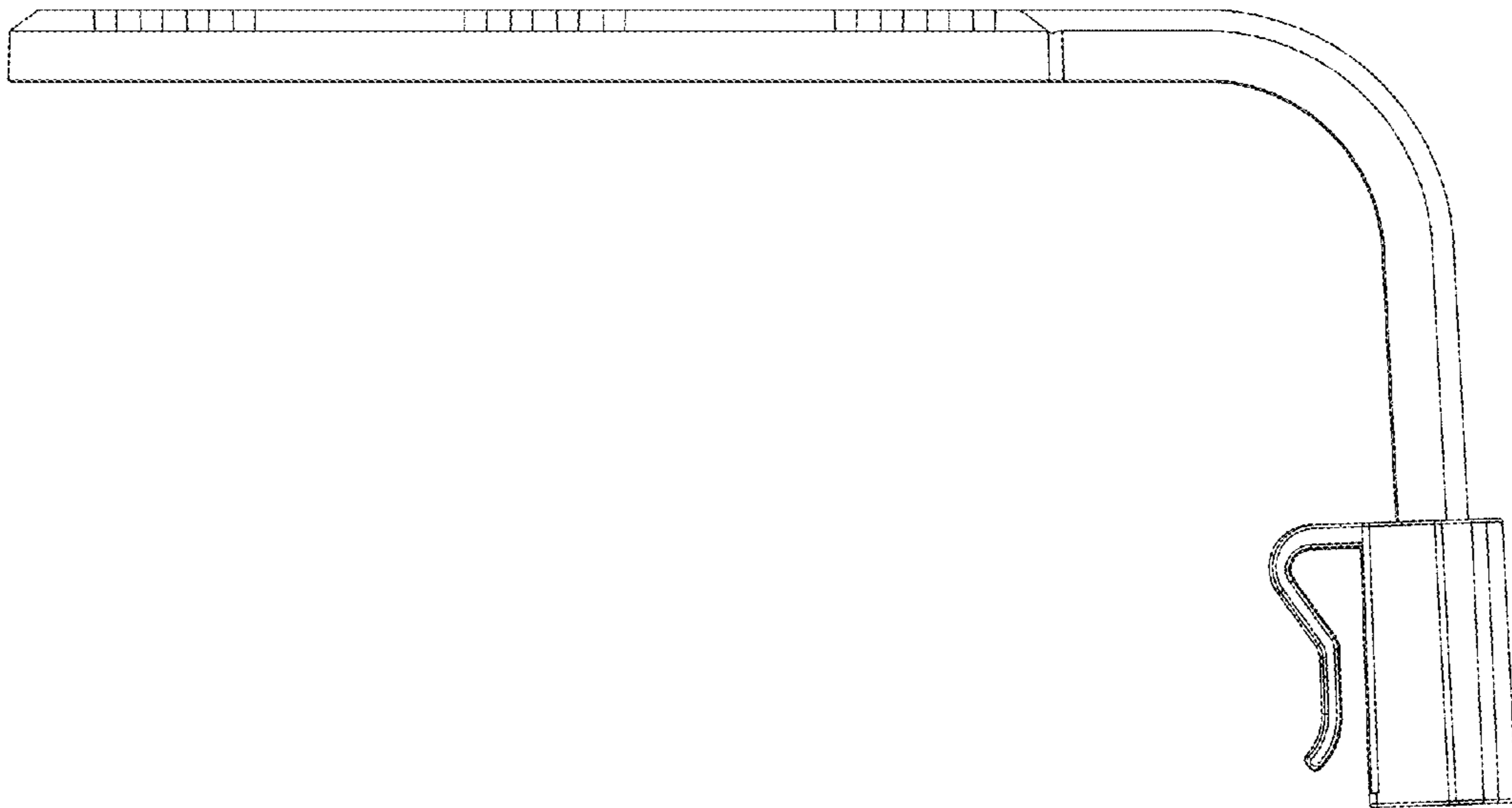


Fig.3

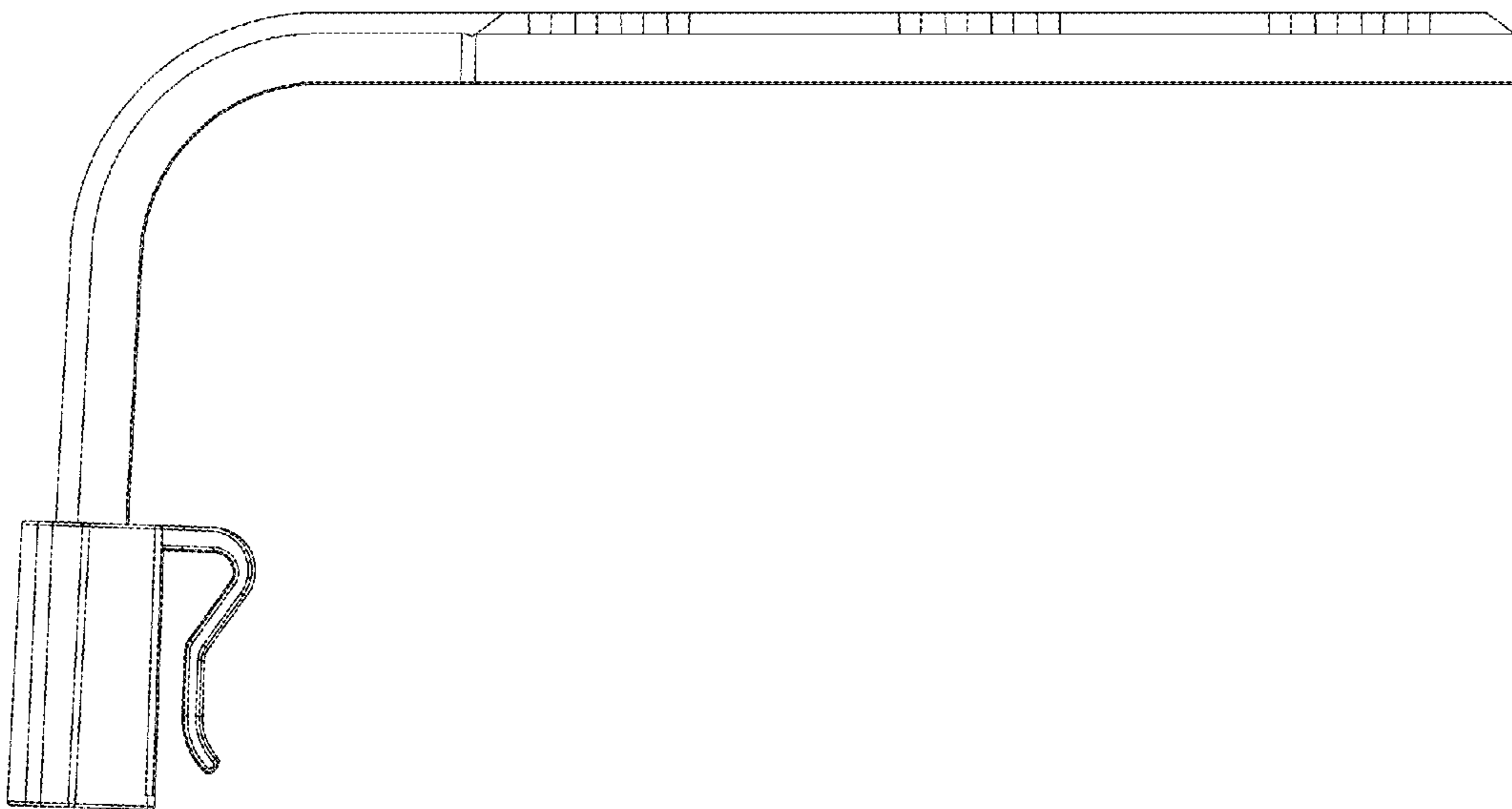


Fig.4

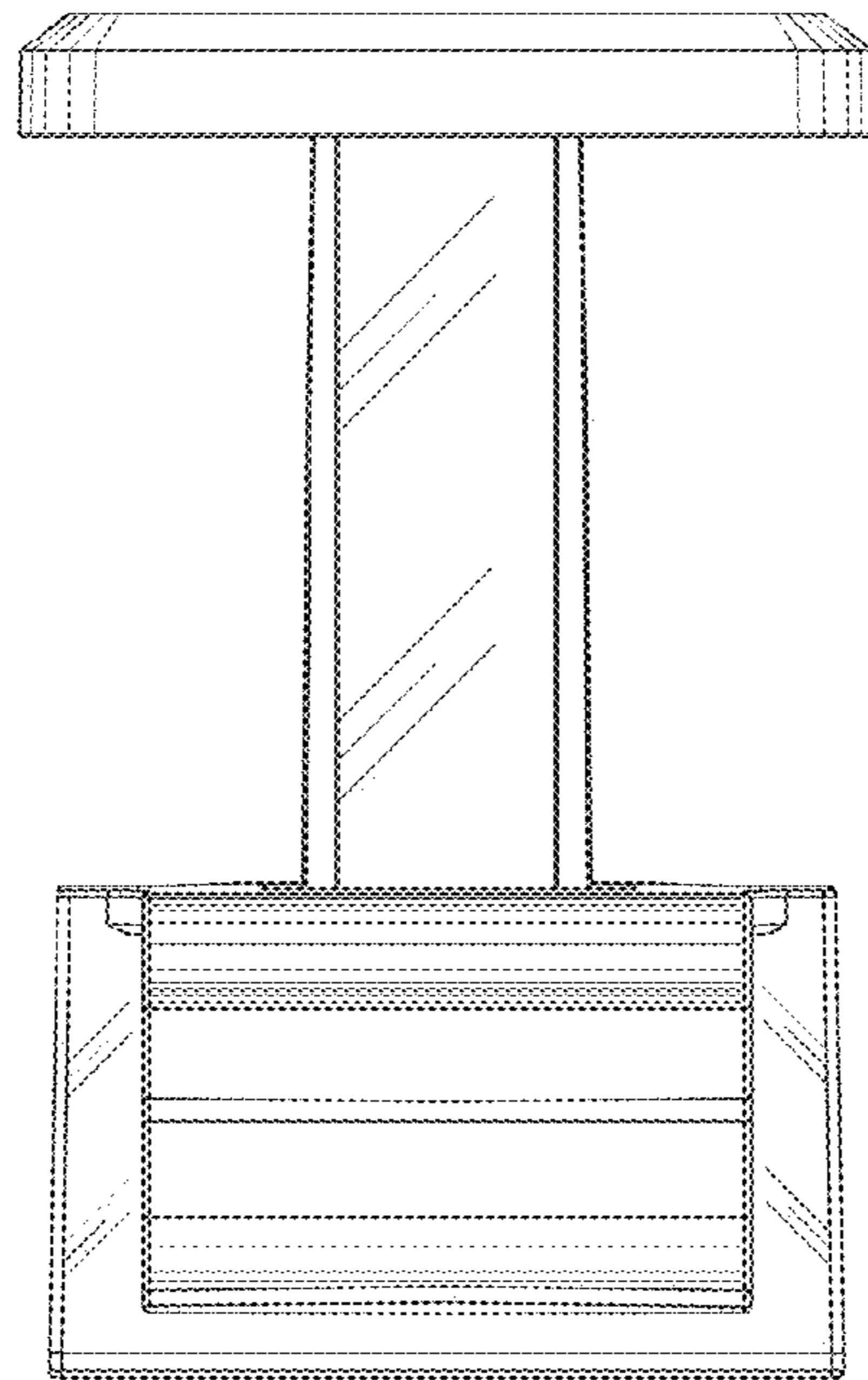


Fig.5

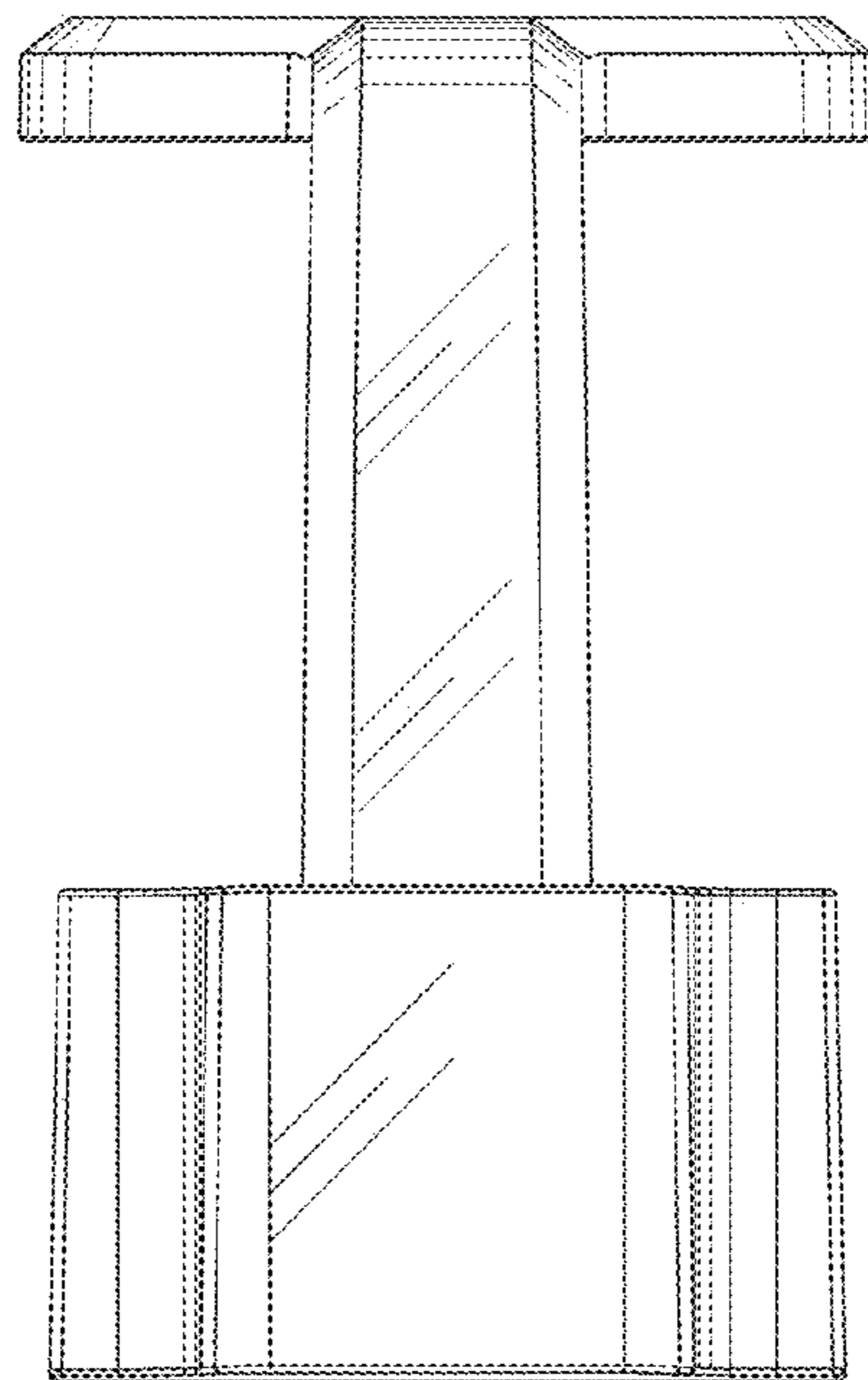


Fig.6

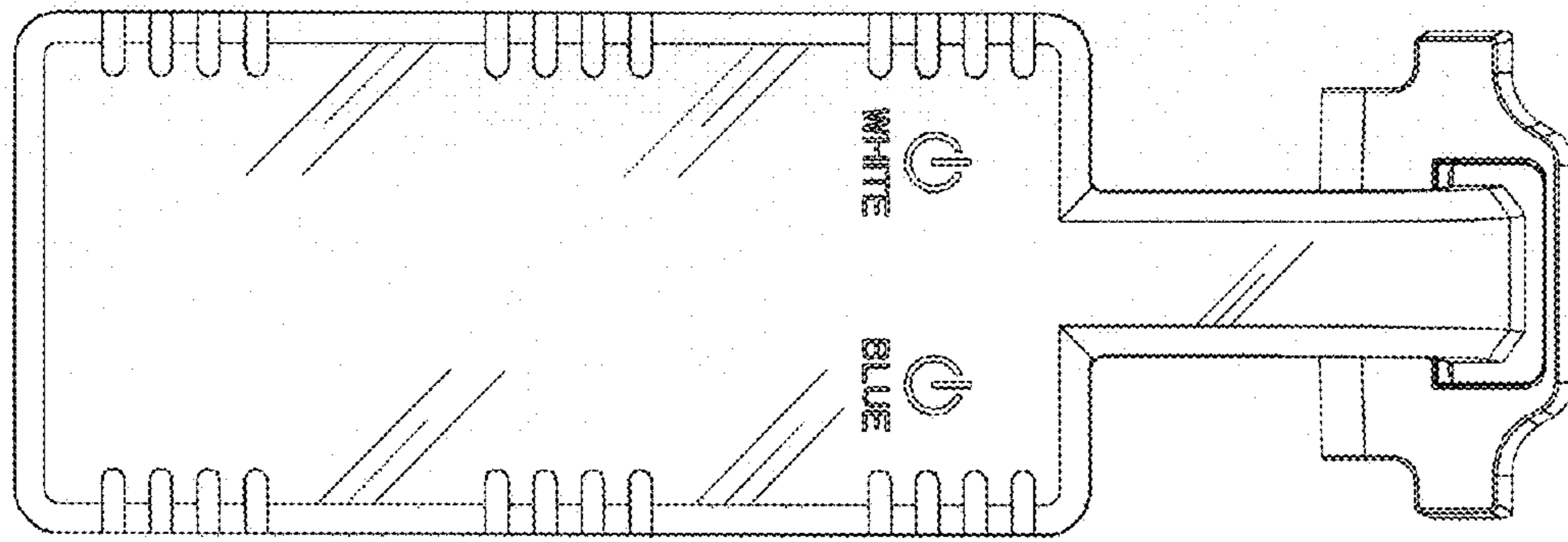


Fig. 7

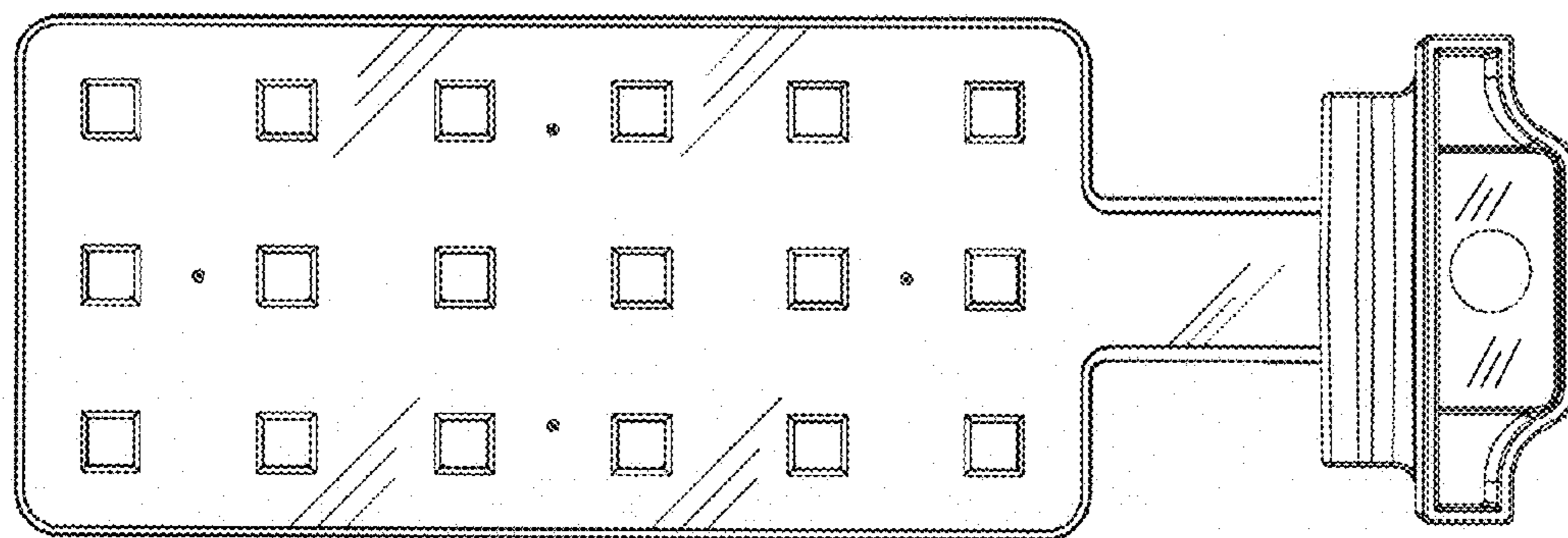


Fig. 8