



US00D737489S

(12) **United States Design Patent**  
**Russell**

(10) **Patent No.:** **US D737,489 S**

(45) **Date of Patent:** **\*\* Aug. 25, 2015**

(54) **FLASHLIGHT**

(71) Applicant: **Robert Russell**, Sikeston, MO (US)

(72) Inventor: **Robert Russell**, Sikeston, MO (US)

(\*\*) Term: **14 Years**

(21) Appl. No.: **29/482,297**

(22) Filed: **Feb. 17, 2014**

(51) **LOC (10) Cl.** ..... **26-02**

(52) **U.S. Cl.**  
USPC ..... **D26/45; D26/50**

(58) **Field of Classification Search**  
USPC ..... D26/37, 38, 39, 45, 46, 40, 50;  
362/157, 158, 184, 186, 194-196, 200,  
362/208, 253  
CPC ..... F21L 2/00; F21L 4/00; F21L 4/005;  
F21L 17/00; F21L 13/08; F21Y 2101/00;  
F21V 21/30; F21V 21/406; F21W 2131/406;  
F21W 2131/407

See application file for complete search history.

(56) **References Cited**

**U.S. PATENT DOCUMENTS**

2,933,992	A	4/1960	Bushnell et al.	
3,940,777	A	2/1976	Komine	
4,013,339	A	3/1977	Ando et al.	
4,078,864	A	3/1978	Howell	
D256,845	S *	9/1980	Zelina et al.	D26/45
4,290,219	A	9/1981	Boller et al.	
4,409,475	A	10/1983	Zehnpfennig	
D277,414	S *	1/1985	Parker et al.	D26/45
D278,084	S *	3/1985	Parker et al.	D26/45
D282,873	S *	3/1986	May et al.	D26/45
4,815,822	A	3/1989	Bramhall	
5,026,158	A	6/1991	Golubic	
D356,875	S *	3/1995	Zelina, Jr.	D26/38
6,019,326	A	2/2000	Baerwolf et al.	
D429,013	S *	8/2000	Poon	D26/45
D436,200	S *	1/2001	Cheong et al.	D26/45
D441,112	S *	4/2001	Krieger et al.	D26/45

D491,303	S *	6/2004	Shen	D26/45
6,819,495	B2	11/2004	Shani et al.	
7,121,036	B1	10/2006	Florence et al.	
7,194,204	B2	3/2007	Gordon	
D561,923	S *	2/2008	Hsu	D26/45
7,333,270	B1	2/2008	Pochapsky et al.	
7,369,302	B2	5/2008	Gaber	
7,614,805	B2	11/2009	Showalter	
7,739,822	B1	6/2010	Holmberg	
7,891,131	B2	2/2011	Holmberg	
D658,796	S *	5/2012	Inskeep	D26/45
D683,490	S *	5/2013	Lee	D26/45
8,656,624	B2	2/2014	Holmberg	
D711,029	S *	8/2014	Schnell	D26/45
D718,481	S *	11/2014	Lee	D26/45

\* cited by examiner

*Primary Examiner* — Ian Simmons

*Assistant Examiner* — Carissa C Fitts

(74) *Attorney, Agent, or Firm* — Haugen Law Firm PLLP

(57) **CLAIM**

The ornamental design for a flashlight, as shown and described.

**DESCRIPTION**

FIG. 1 is a rear perspective view of a flashlight, showing my new design.

FIG. 2 is a right side elevation view of a flashlight.

FIG. 3 is a left side elevation view of a flashlight.

FIG. 4 is a rear elevation view of a flashlight.

FIG. 5 is a front elevation view of a flashlight.

FIG. 6 is a bottom elevation view of a flashlight.

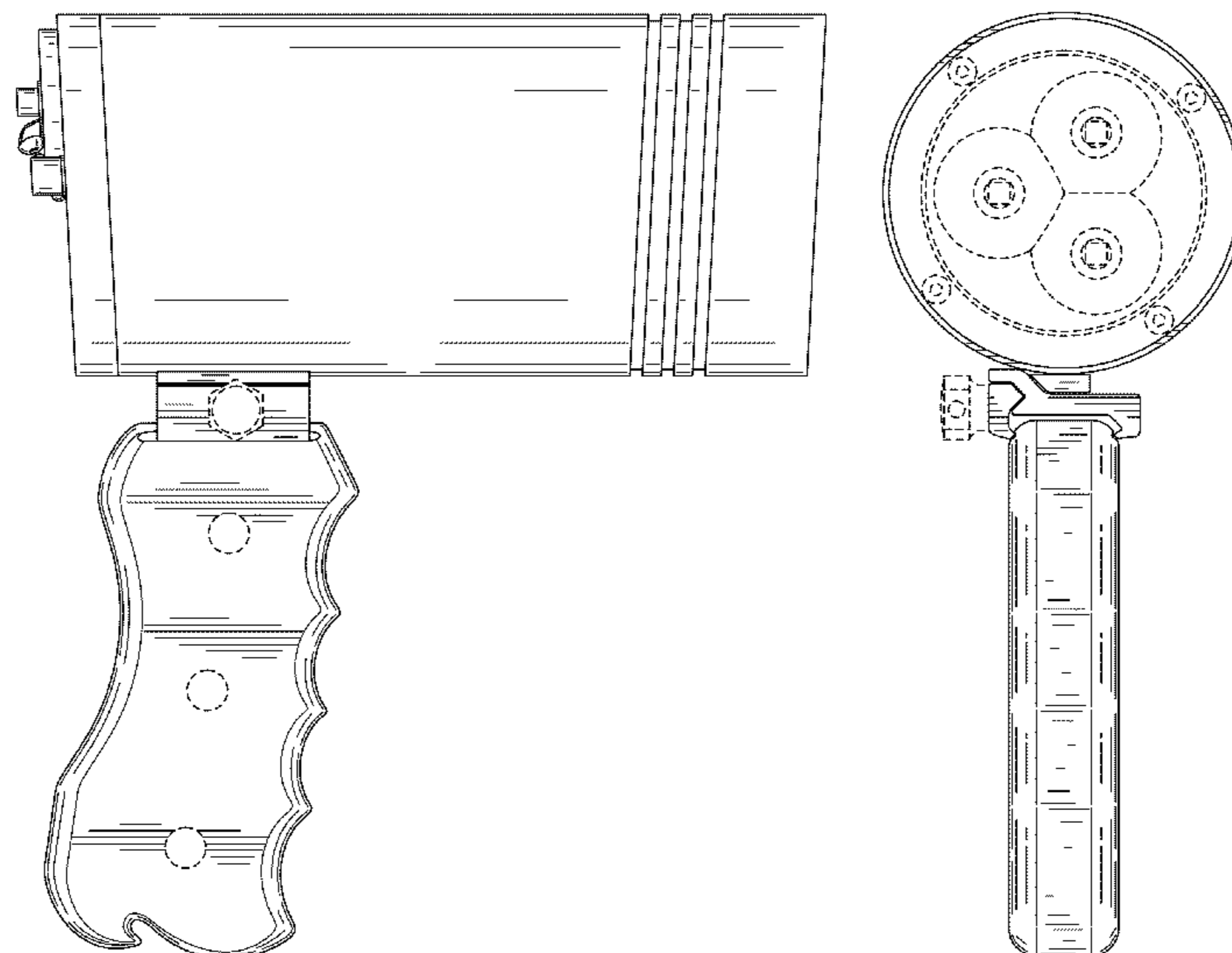
FIG. 7 is a top elevation view of a flashlight.

FIG. 8 is a rear elevation view of a flashlight with an accessory cover separated from the main body; and,

FIG. 9 is a left side elevation view of a Flashlight with the handle separated from the main body.

The broken lines showing various screw and accessory components and the bulbs represent unclaimed portions of the article only and form no part of the invention.

**1 Claim, 9 Drawing Sheets**



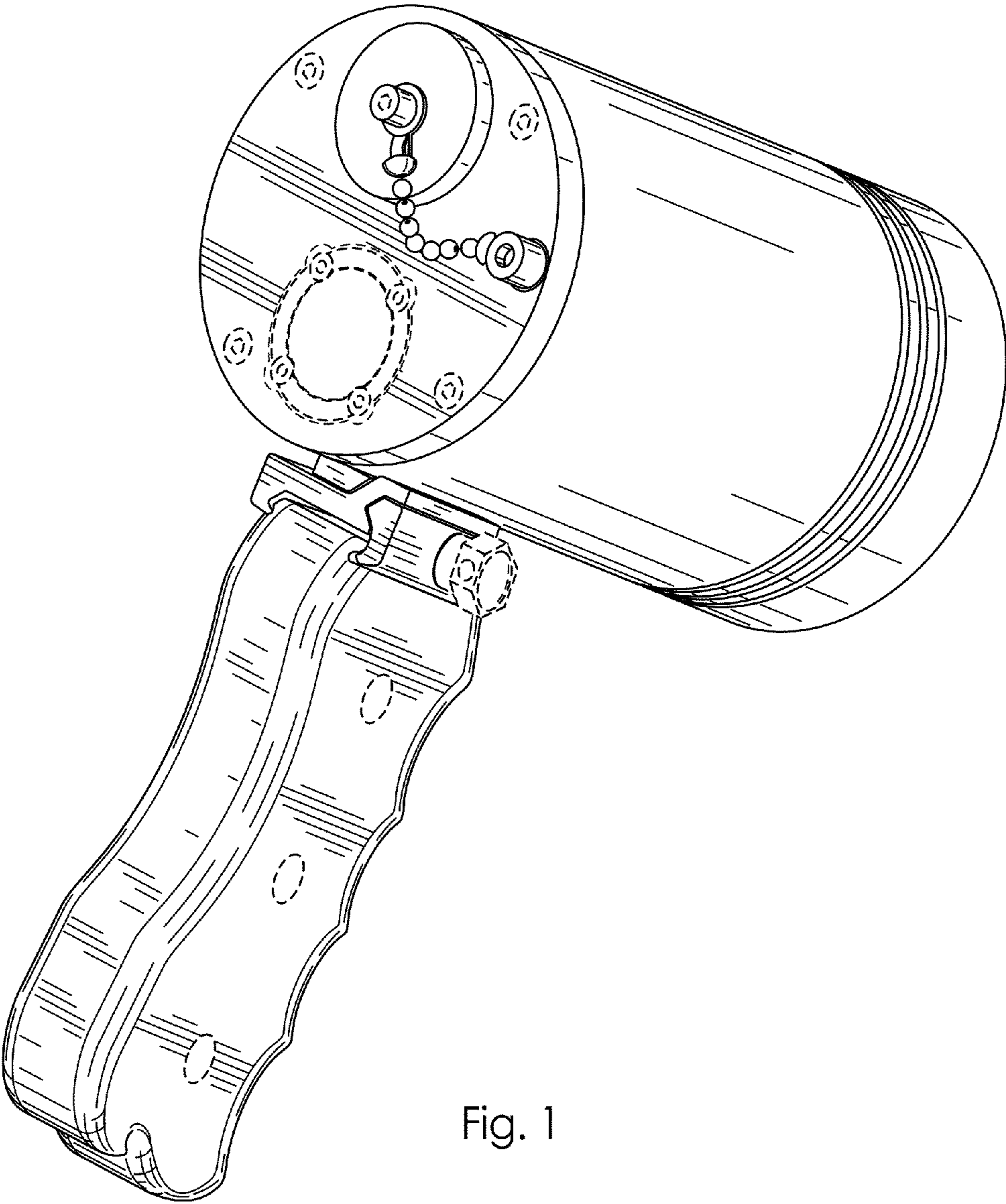


Fig. 1

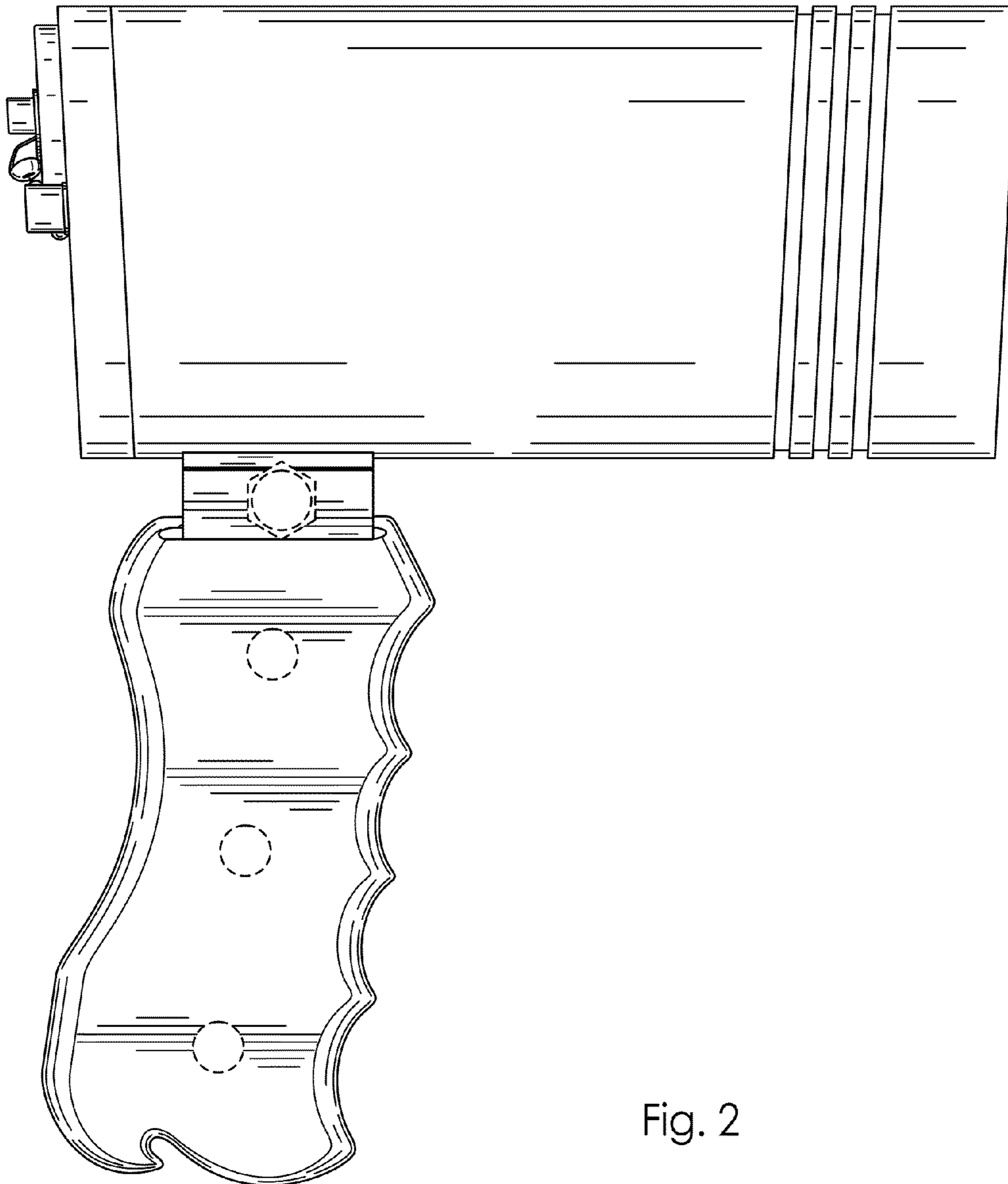


Fig. 2

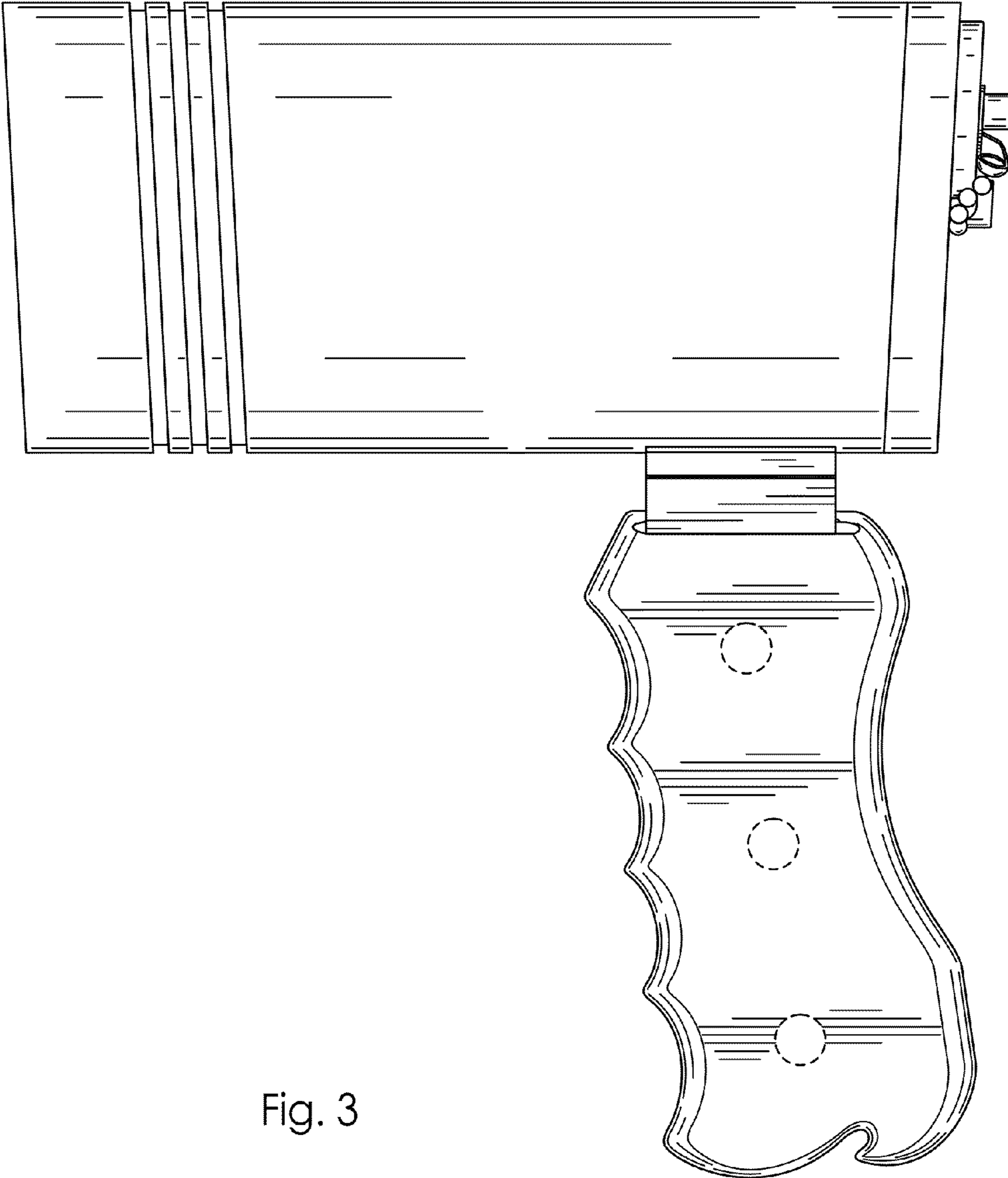


Fig. 3

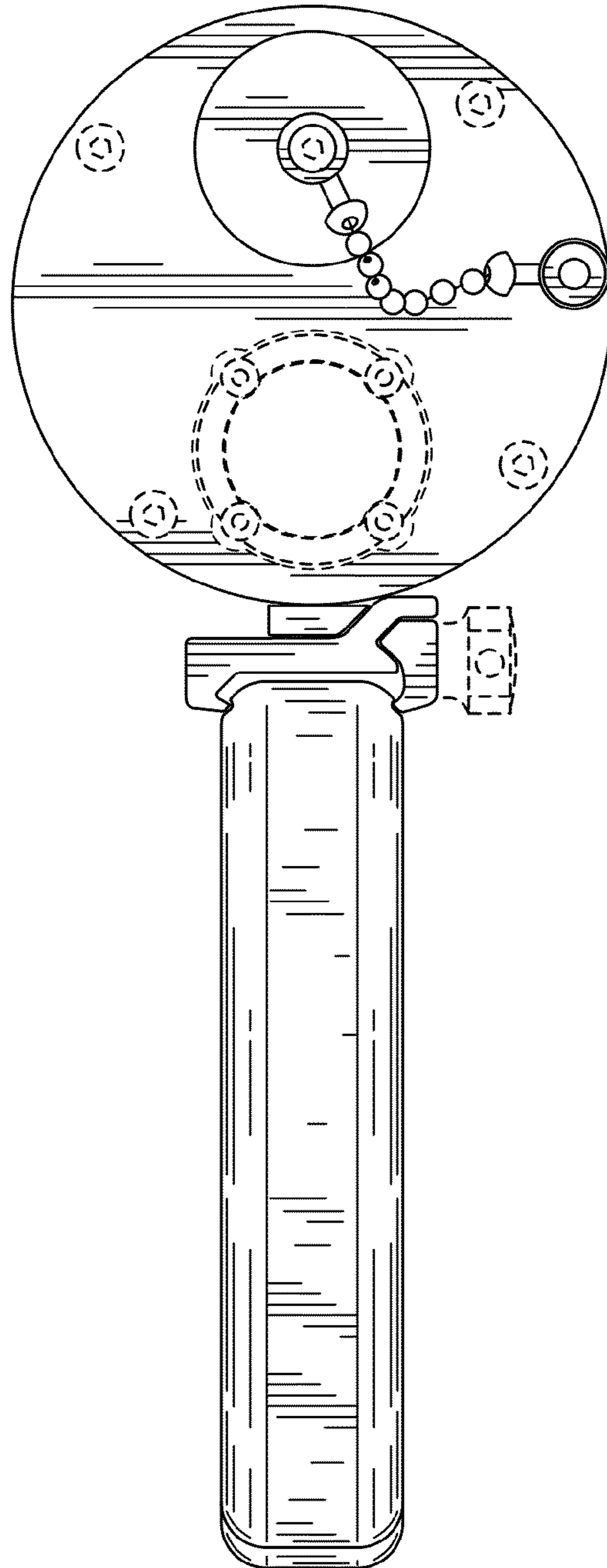


Fig. 4

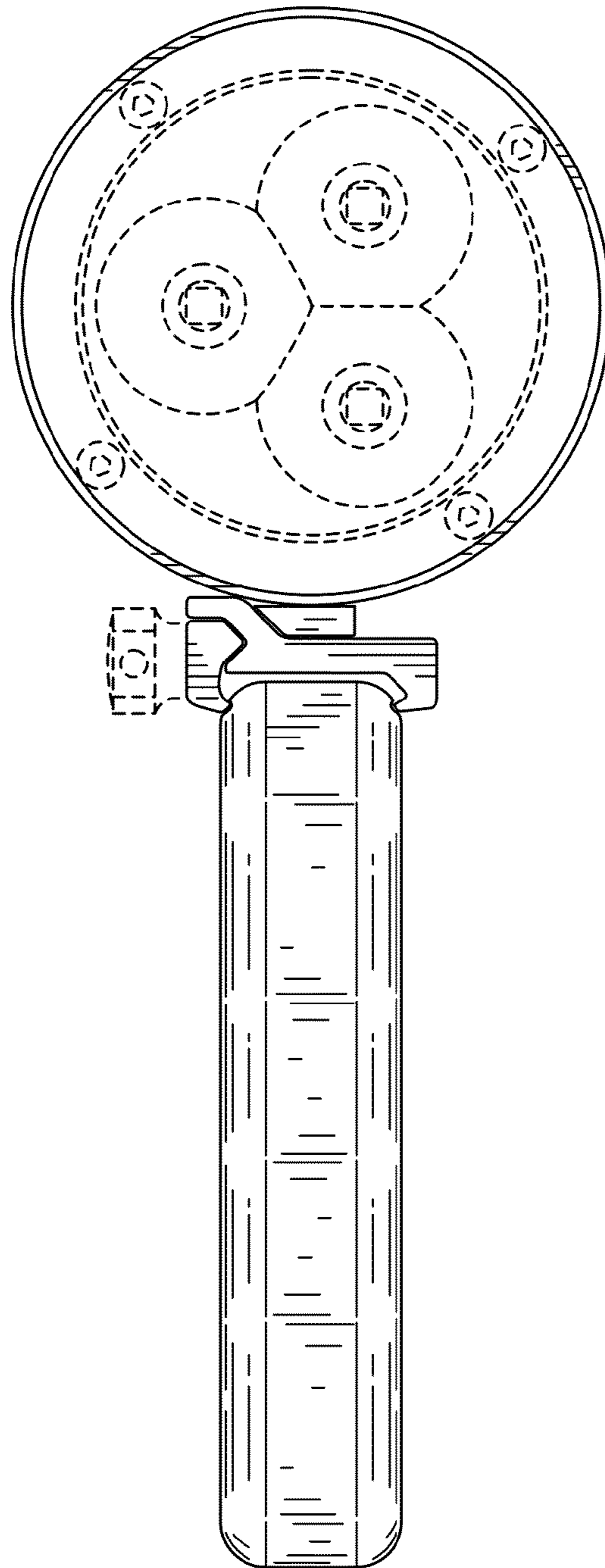


Fig. 5

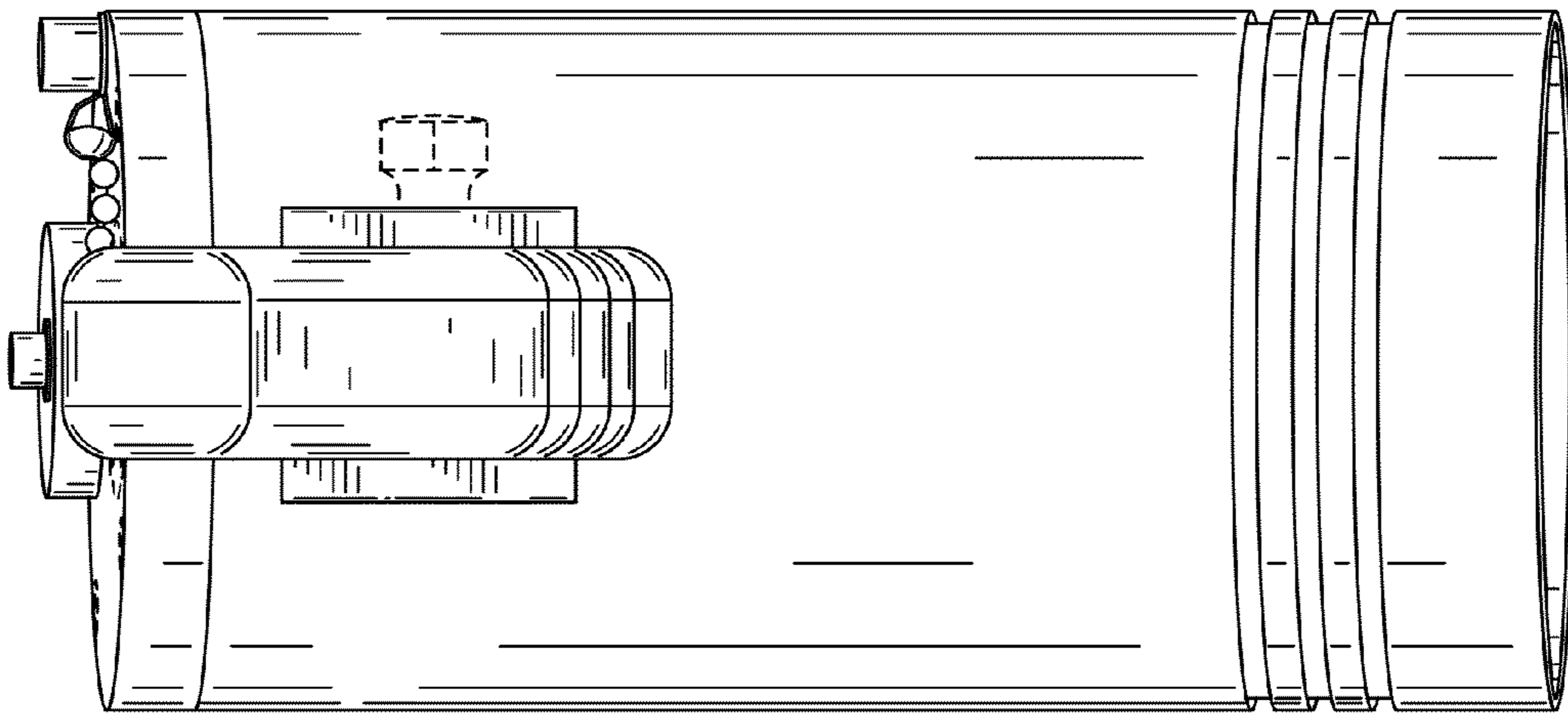


Fig. 6

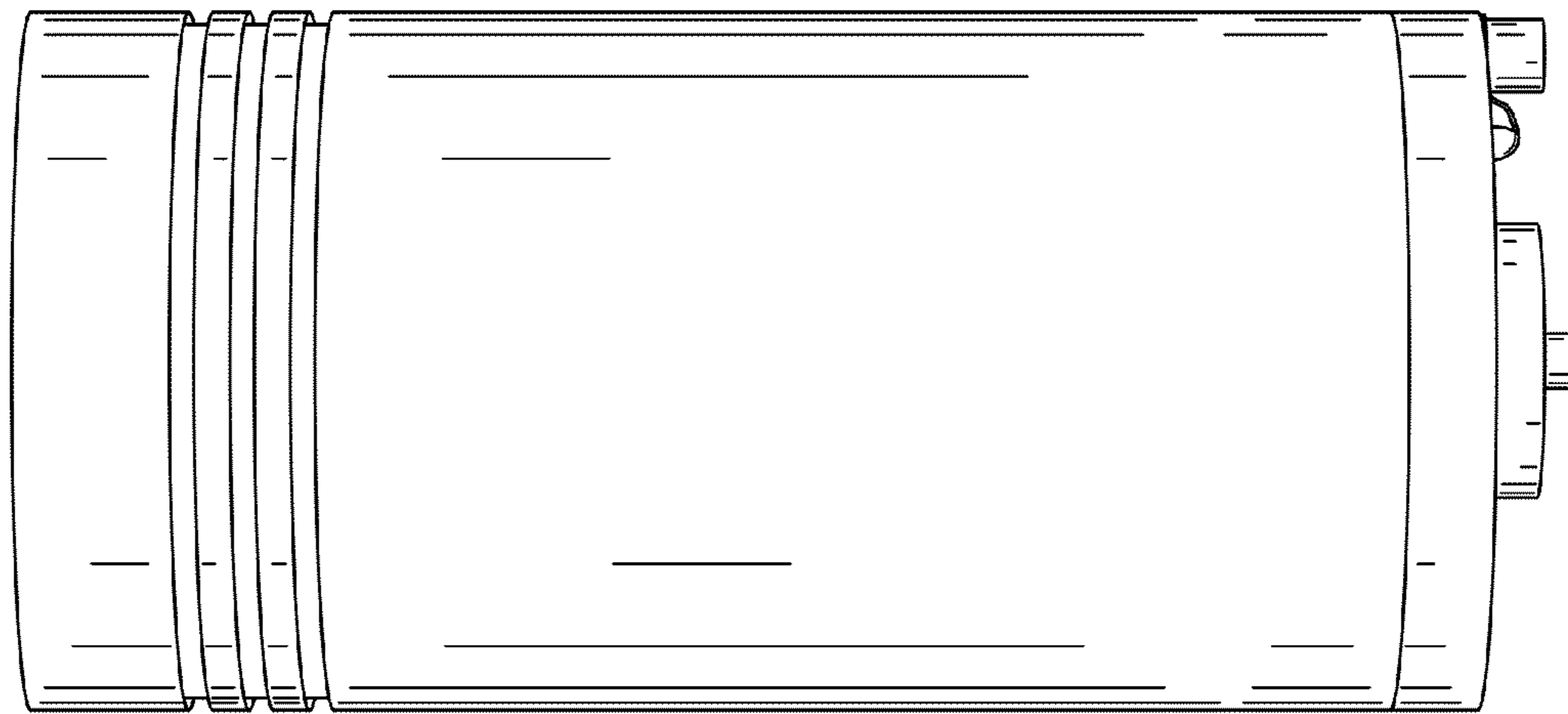


Fig. 7



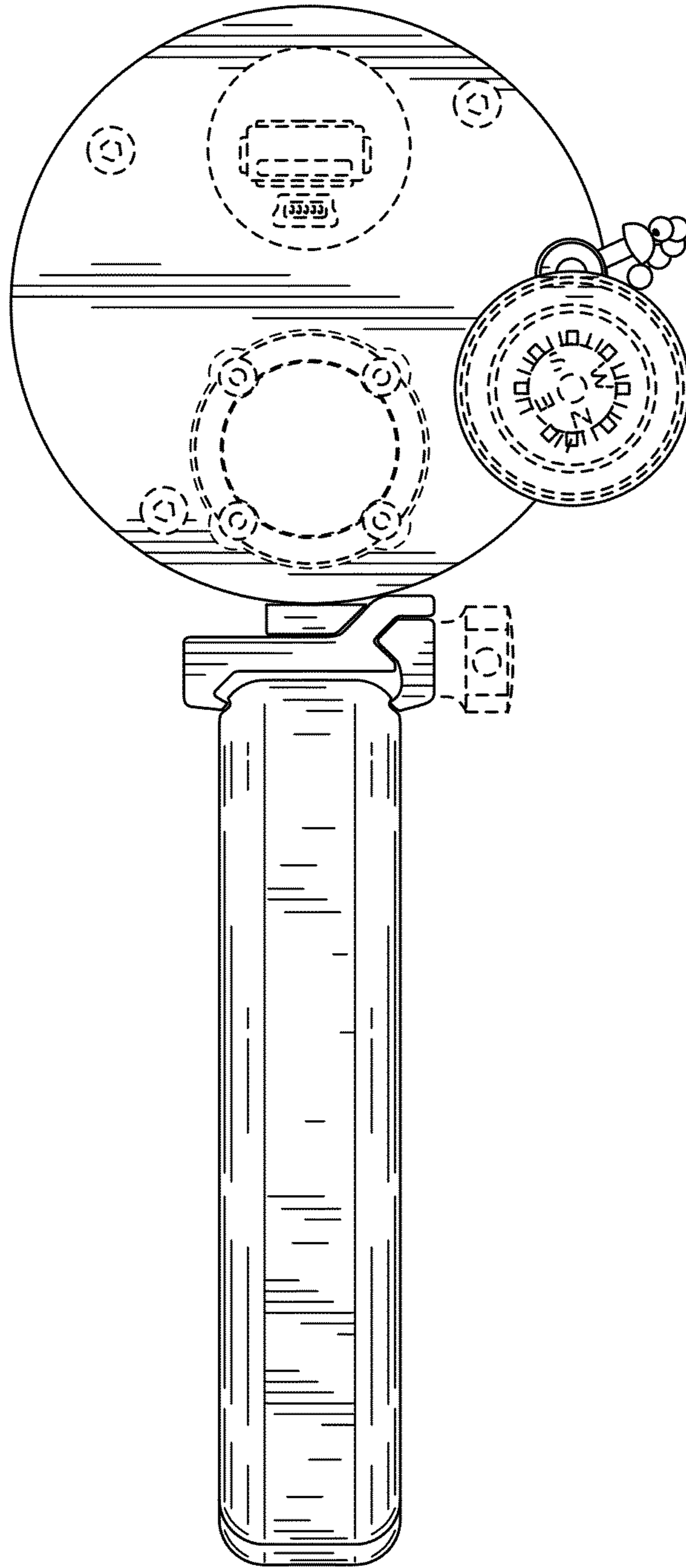


Fig. 8

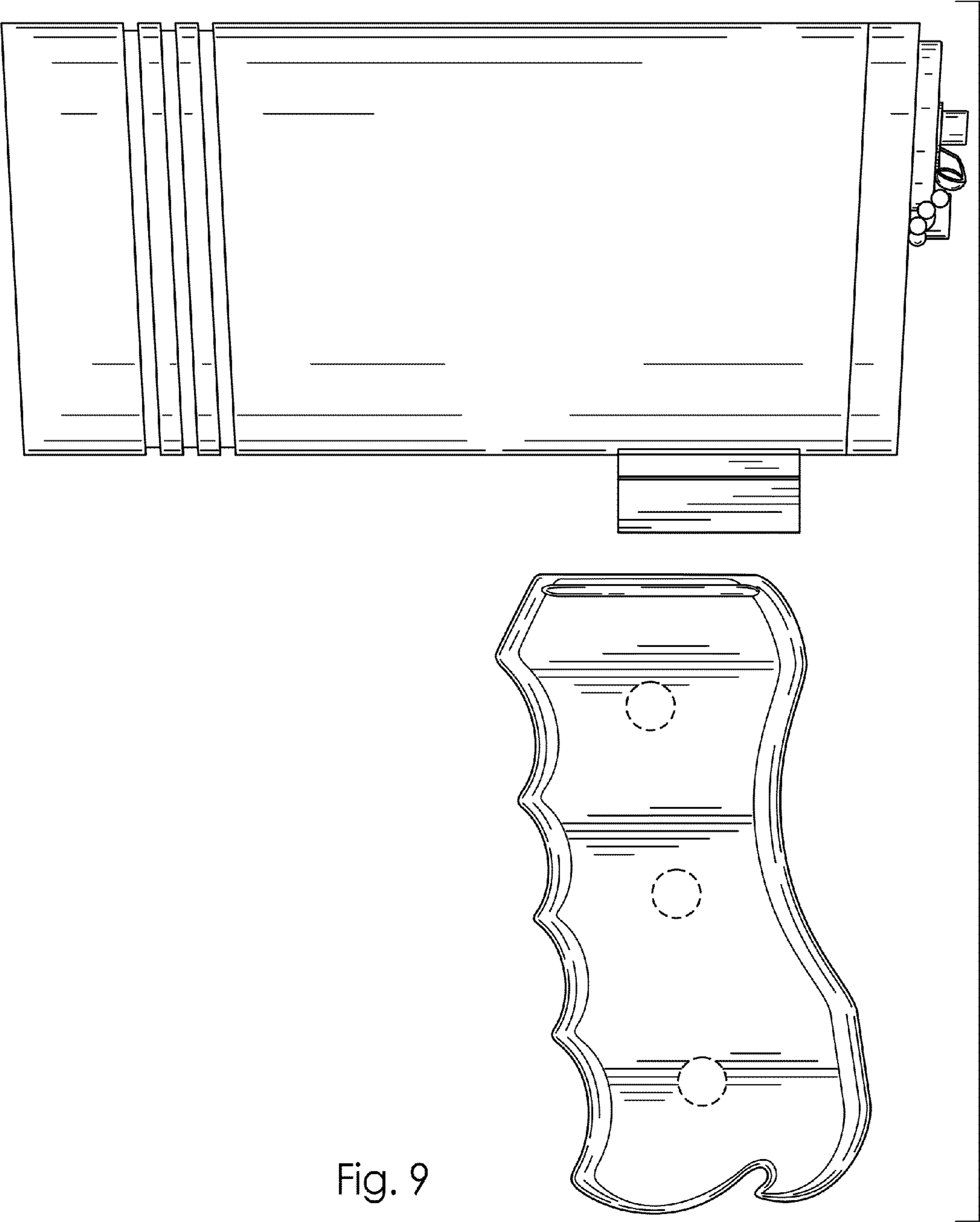


Fig. 9