



US00D737488S

(12) **United States Design Patent**
Chen

(10) **Patent No.:** **US D737,488 S**

(45) **Date of Patent:** **** Aug. 25, 2015**

- (54) **HAND-HELD LIGHTING LAMP**
- (71) Applicant: **SHIN CHIN INDUSTRIAL CO., LTD.**, Tainan (TW)
- (72) Inventor: **Yi Kai Chen**, Tainan (TW)
- (73) Assignee: **Shin Chin Industrial Co., Ltd.**, Tainan (TW)
- (**) Term: **14 Years**
- (21) Appl. No.: **29/482,734**
- (22) Filed: **Feb. 21, 2014**
- (51) **LOC (10) Cl.** **26-02**
- (52) **U.S. Cl.**
USPC **D26/42**
- (58) **Field of Classification Search**
USPC D26/37, 40, 41, 44, 46, 49; 362/157, 362/158, 183, 184, 194-196, 200-208
CPC F21V 33/00; F21V 14/025; F21V 21/406; F21Y 2101/02; F21L 2003/00; F21L 2005/00; F21L 2/00; F21L 4/00; F21L 4/005; F21L 17/00; F21L 13/08
See application file for complete search history.

D545,469 S *	6/2007	Wikle et al.	D26/42
D567,977 S *	4/2008	Jianwei	D26/42
D567,978 S *	4/2008	Jianwei	D26/42
D592,784 S *	5/2009	van den Dool	D26/75
D596,326 S *	7/2009	Jiang	D26/42
D626,673 S *	11/2010	Kovacik et al.	D26/42
D643,560 S *	8/2011	Tompkin	D26/40
D647,651 S *	10/2011	Leen	D26/42
D655,431 S *	3/2012	Leen	D26/42
D656,645 S *	3/2012	Houghton	D26/42
D661,417 S *	6/2012	Kung	D26/42
D684,283 S *	6/2013	Zhou et al.	D26/49
D689,640 S *	9/2013	Leen	D26/44
D694,445 S *	11/2013	Shiu	D26/40
D703,356 S *	4/2014	Grandadam	D26/44
D707,869 S *	6/2014	Wu	D26/46
D708,376 S *	7/2014	Crowe et al.	D26/37
2006/0120090 A1 *	6/2006	Wikle et al.	362/396

* cited by examiner

Primary Examiner — Ian Simmons

Assistant Examiner — Carissa C Fitts

(74) *Attorney, Agent, or Firm* — Rosenberg, Klein & Lee

(57) **CLAIM**

The ornamental design for a hand-held lighting lamp, as shown and described.

DESCRIPTION

FIG. 1 is a perspective view of a hand-held lighting lamp showing my new design.

FIG. 2 is a front elevational view thereof;

FIG. 3 is a rear elevational view thereof;

FIG. 4 is a left side elevational view thereof;

FIG. 5 is a right side elevational view thereof;

FIG. 6 is a top plan view thereof; and,

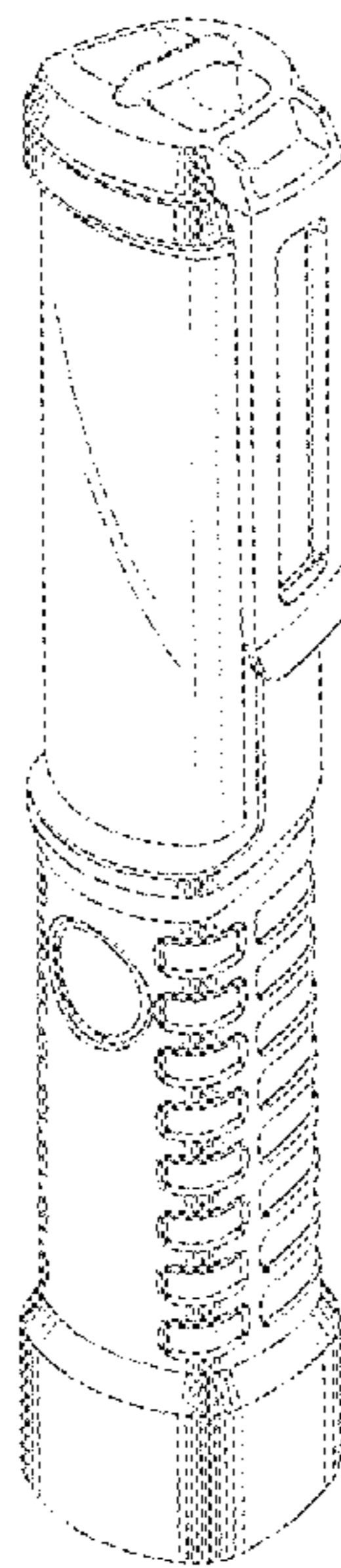
FIG. 7 is a bottom plan view thereof.

The broken line showing represents unclaimed portions of the design article only and forms no part of the claimed design.

1 Claim, 6 Drawing Sheets

(56) **References Cited**
U.S. PATENT DOCUMENTS

D367,123 S *	2/1996	Blye	D26/42
D389,931 S *	1/1998	Kovacik et al.	D26/37
D441,888 S *	5/2001	Haneda et al.	D26/42
D501,688 S *	2/2005	Kovacik et al.	D26/42
D515,721 S *	2/2006	Lin	D26/44
D523,577 S *	6/2006	Bayat et al.	D26/42
D526,077 S *	8/2006	Leen	D26/42
D538,457 S *	3/2007	Kovacik et al.	D26/42
D540,484 S *	4/2007	Bayat et al.	D26/42
D541,962 S *	5/2007	Bayat et al.	D26/42



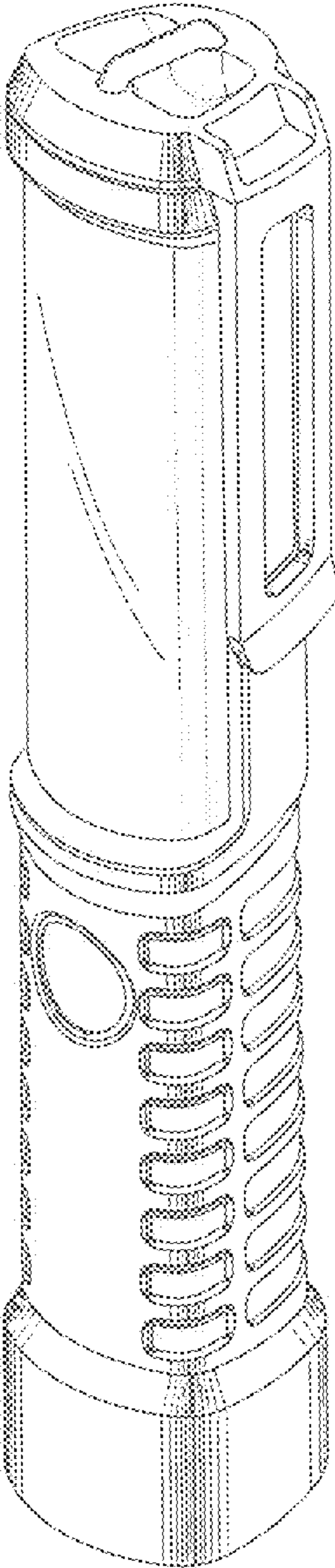


FIG. 1

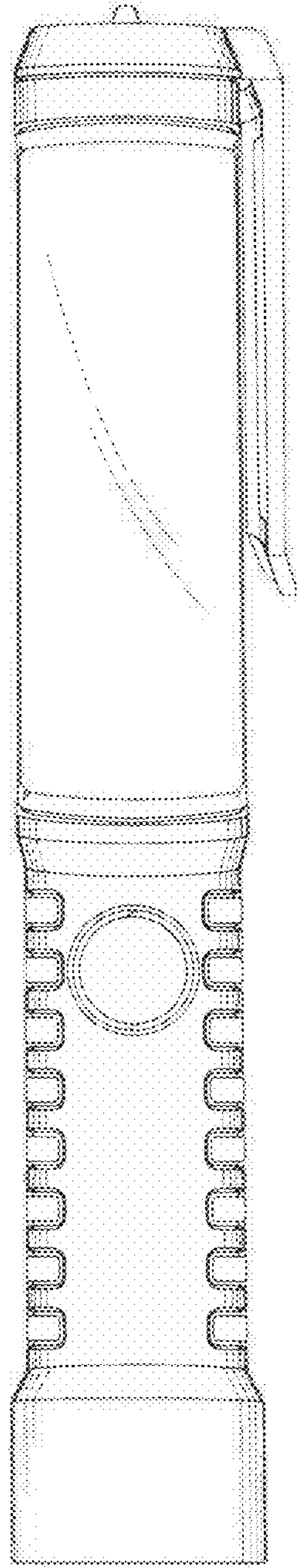


FIG. 2

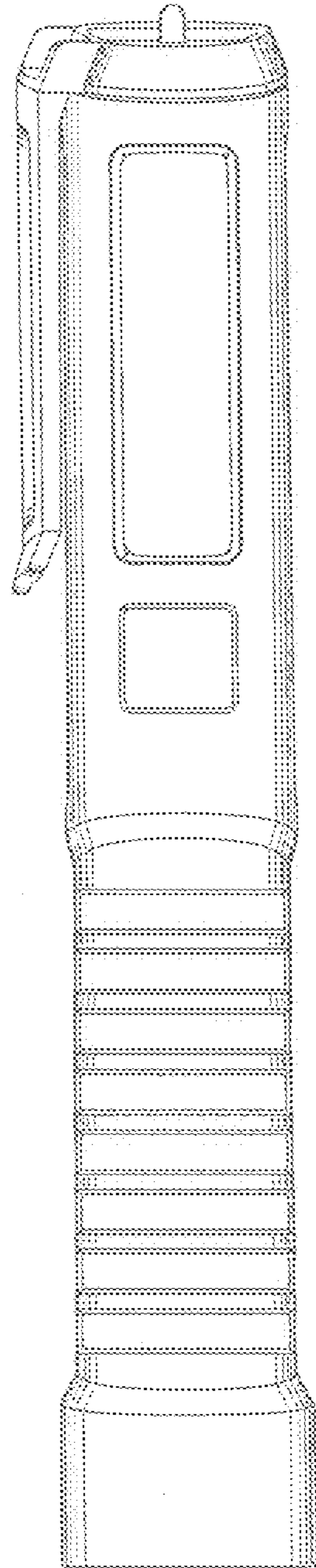


FIG. 3

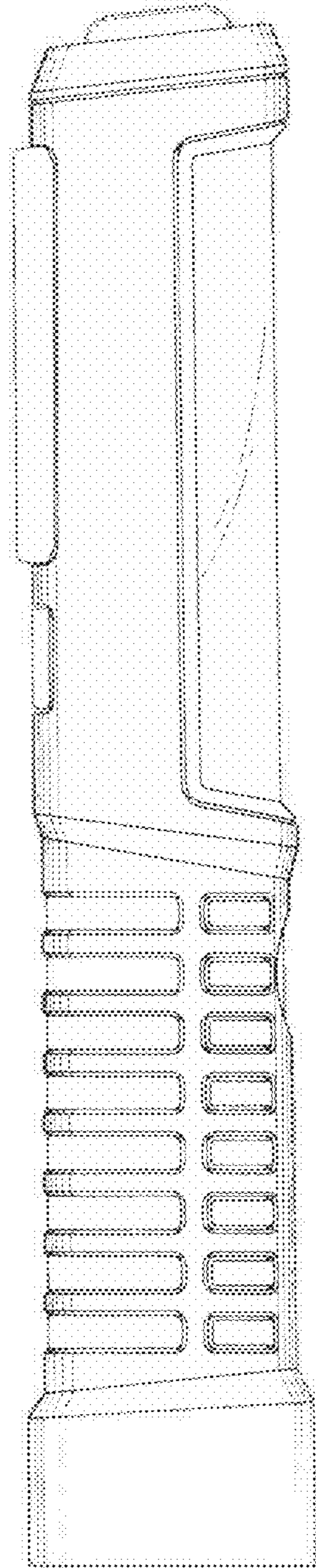


FIG. 4

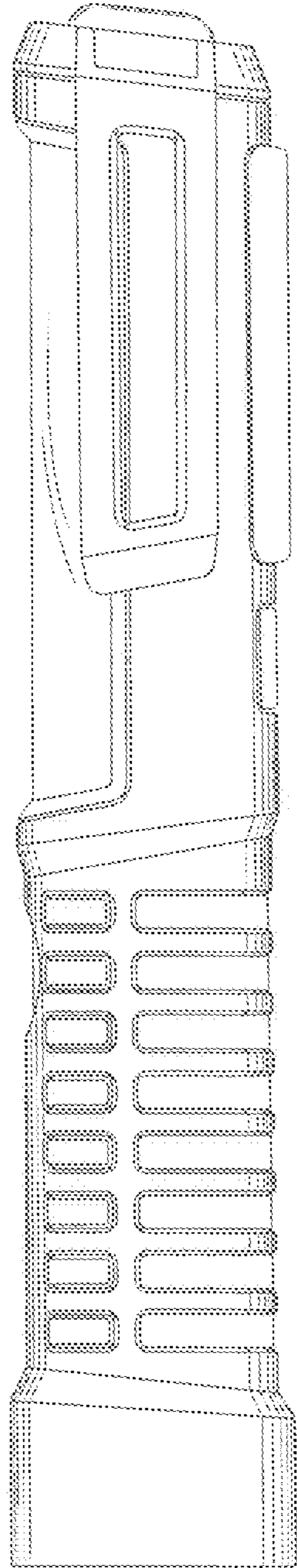


FIG. 5

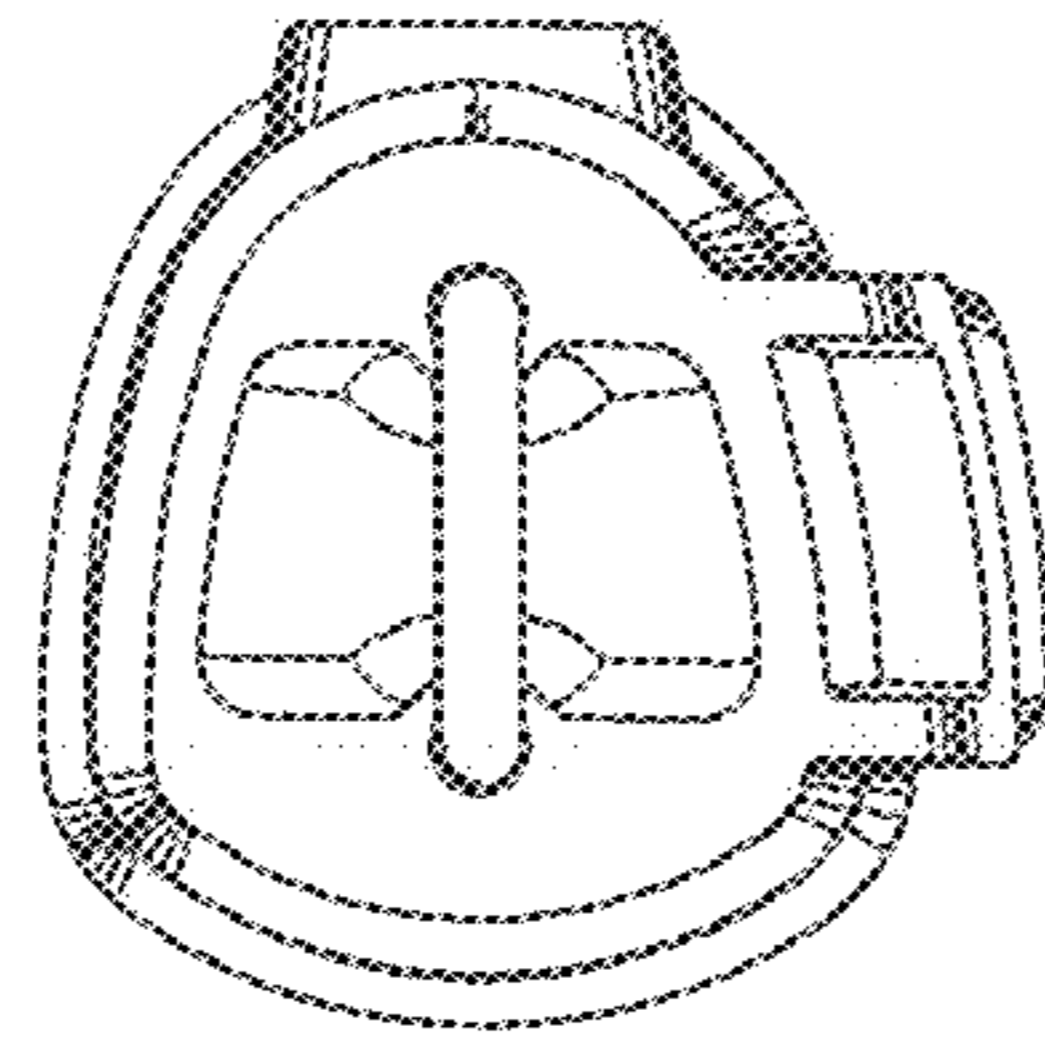


FIG. 6

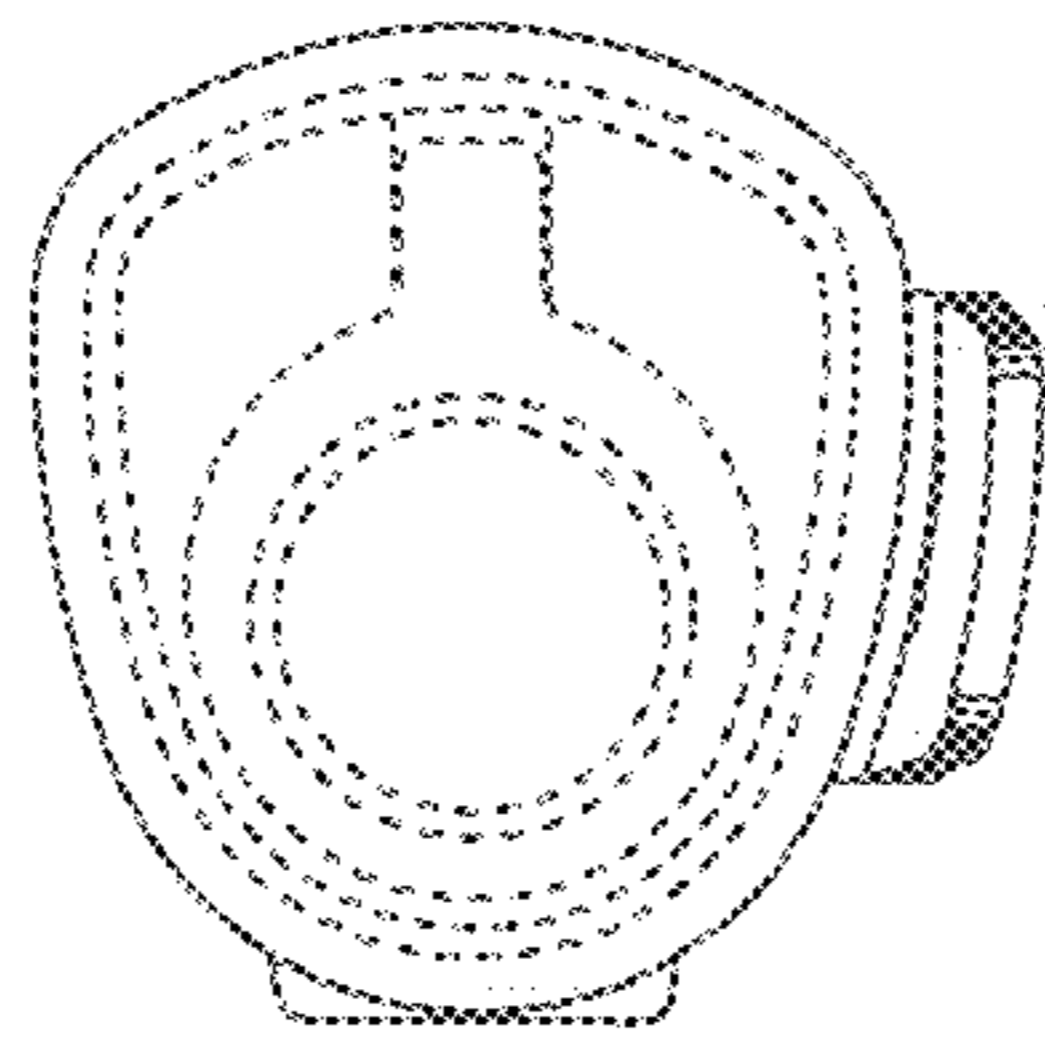


FIG. 7