



US00D737487S

(12) **United States Design Patent**  
**Beckett et al.**

(10) **Patent No.:** **US D737,487 S**

(45) **Date of Patent:** **\*\* Aug. 25, 2015**

(54) **CLAMP LIGHT**

(71) Applicant: **Dorcy International, Inc.**, Columbus, OH (US)

(72) Inventors: **Thomas Beckett**, Sunbury, OH (US);  
**Kenneth Kung**, Hong Kong (CN)

(73) Assignee: **Dorcy International, Inc.**, Columbus, OH (US)

(\*\*) Term: **14 Years**

(21) Appl. No.: **29/473,809**

(22) Filed: **Nov. 26, 2013**

(51) **LOC (10) Cl.** ..... **26-02**

(52) **U.S. Cl.**  
USPC ..... **D26/38**; D26/46; D26/60

(58) **Field of Classification Search**  
USPC ..... D26/37, 38, 44, 46, 49, 50; 362/157,  
362/158, 183, 184, 194-196, 200-208  
CPC ..... F21L 2/00; F21L 4/00; F21L 4/005;  
F21L 17/00; F21L 13/08; F21Y 2101/00;  
F21V 21/30; F21V 21/406; F21W 2131/406;  
F21W 2131/407  
See application file for complete search history.

(56) **References Cited**

**U.S. PATENT DOCUMENTS**

D324,430 S \* 3/1992 Sharrah et al. .... D26/46  
D481,482 S \* 10/2003 Mah ..... D26/37  
D487,810 S \* 3/2004 Kingston et al. .... D26/44  
D514,721 S \* 2/2006 Osiecki et al. .... D26/44

D536,464 S \* 2/2007 Kingston et al. .... D26/43  
D590,971 S \* 4/2009 Spartano et al. .... D26/44  
D598,593 S \* 8/2009 Kingston et al. .... D26/39  
D599,925 S \* 9/2009 Kingston ..... D26/44  
D601,733 S \* 10/2009 Nagano ..... D26/37  
D605,795 S \* 12/2009 Baker et al. .... D26/44  
D643,138 S \* 8/2011 Kawase et al. .... D26/37  
D681,246 S \* 4/2013 Keeley et al. .... D26/44  
D693,951 S \* 11/2013 Rugendyke et al. .... D26/46  
D712,080 S \* 8/2014 Trude et al. .... D26/37  
D713,077 S \* 9/2014 Hao ..... D26/37

\* cited by examiner

*Primary Examiner* — Ian Simmons

*Assistant Examiner* — Carissa C Fitts

(74) *Attorney, Agent, or Firm* — Kilpatrick Townsend & Stockton LLP

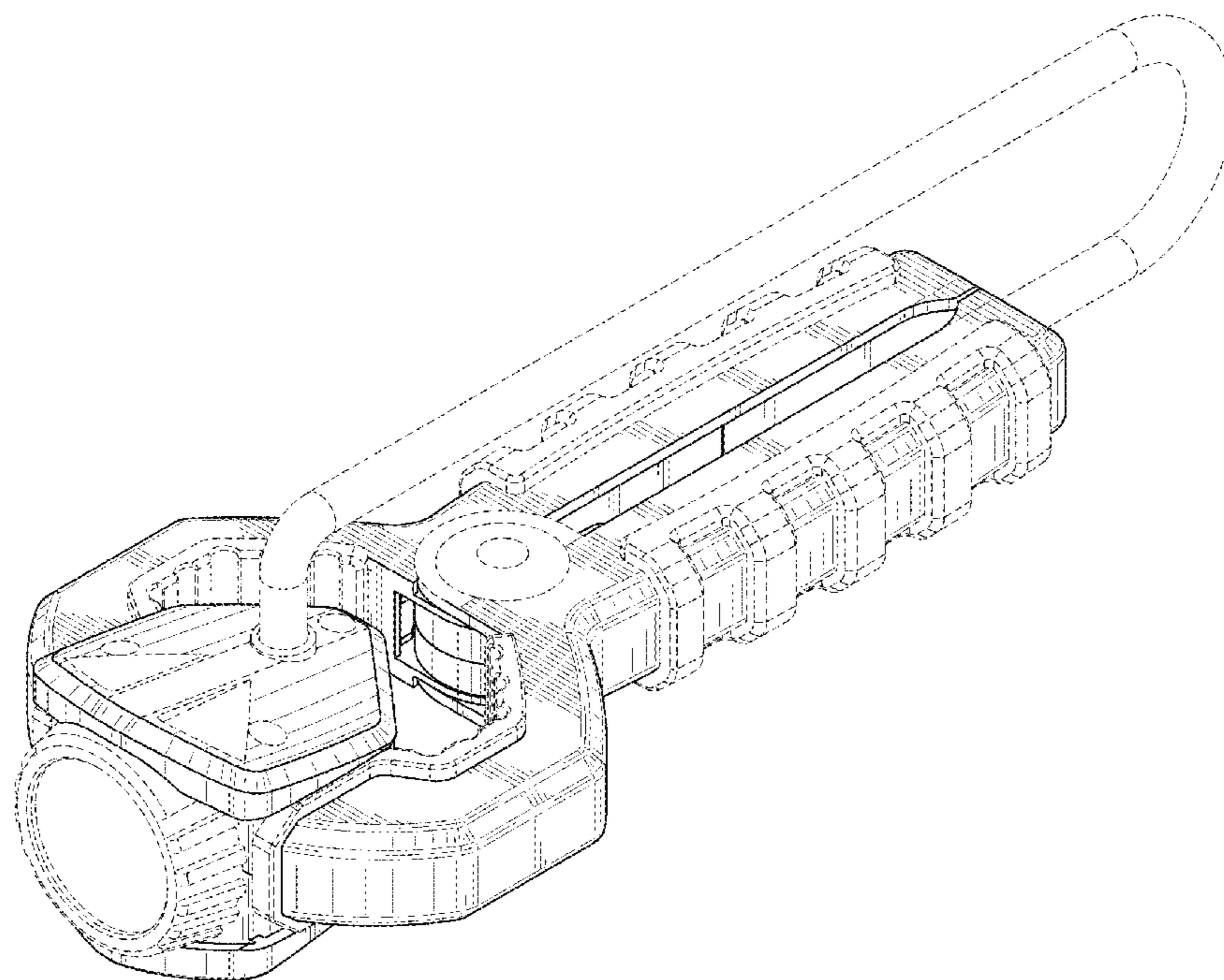
(57) **CLAIM**

The ornamental design for a clamp light, as shown and described.

**DESCRIPTION**

FIG. 1 is an isometric view of a clamp light.  
FIG. 2 is another isometric view of the clamp light of FIG. 1.  
FIG. 3 is a front view of the clamp light of FIG. 1.  
FIG. 4 is a right side view of the clamp light of FIG. 1.  
FIG. 5 is a rear view of the clamp light of FIG. 1.  
FIG. 6 is a left side view of the clamp light of FIG. 1.  
FIG. 7 is a top view of the clamp light of FIG. 1; and,  
FIG. 8 is a bottom view of the clamp light of FIG. 1.  
The broken lines form no part of the claimed design.

**1 Claim, 6 Drawing Sheets**



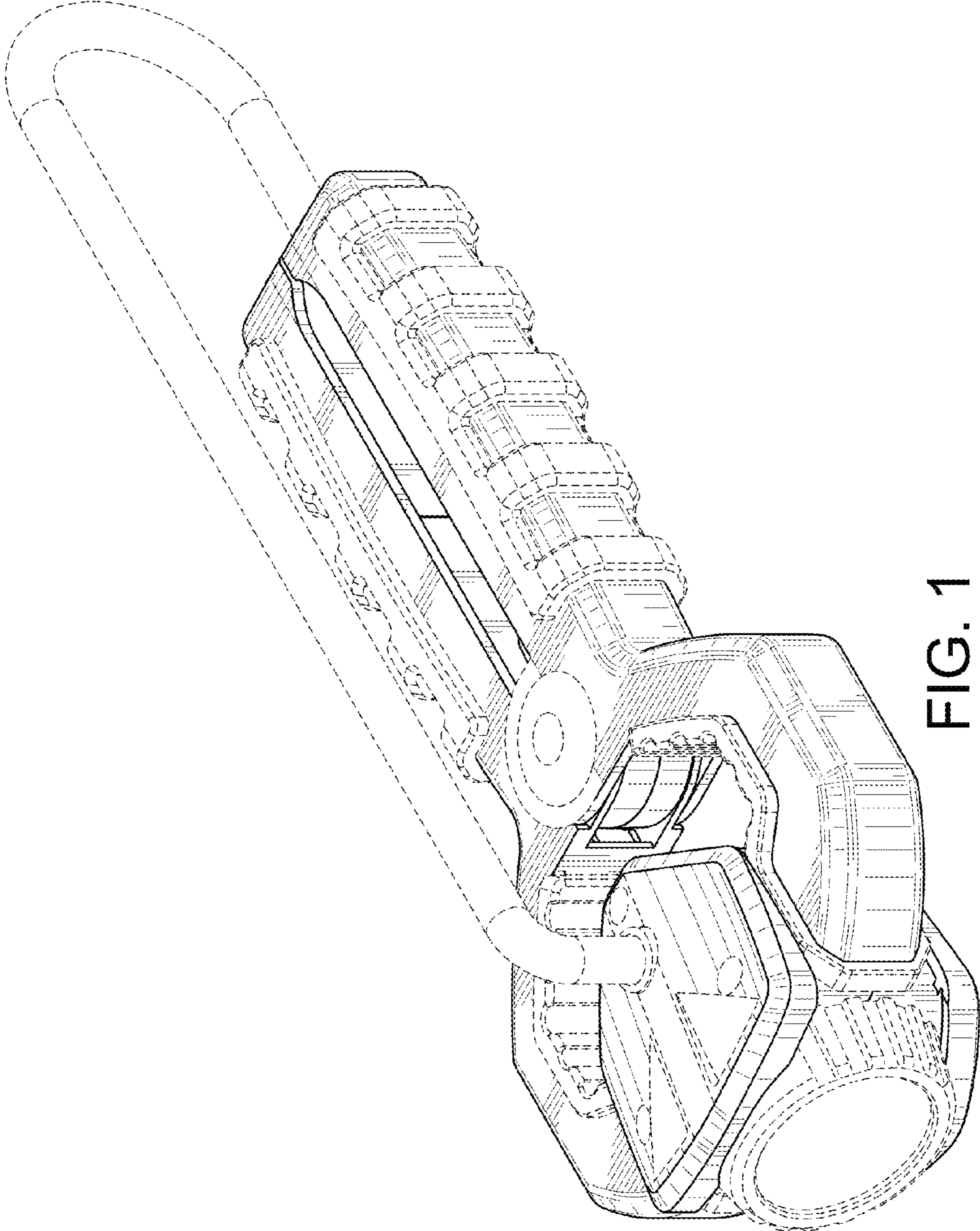


FIG. 1

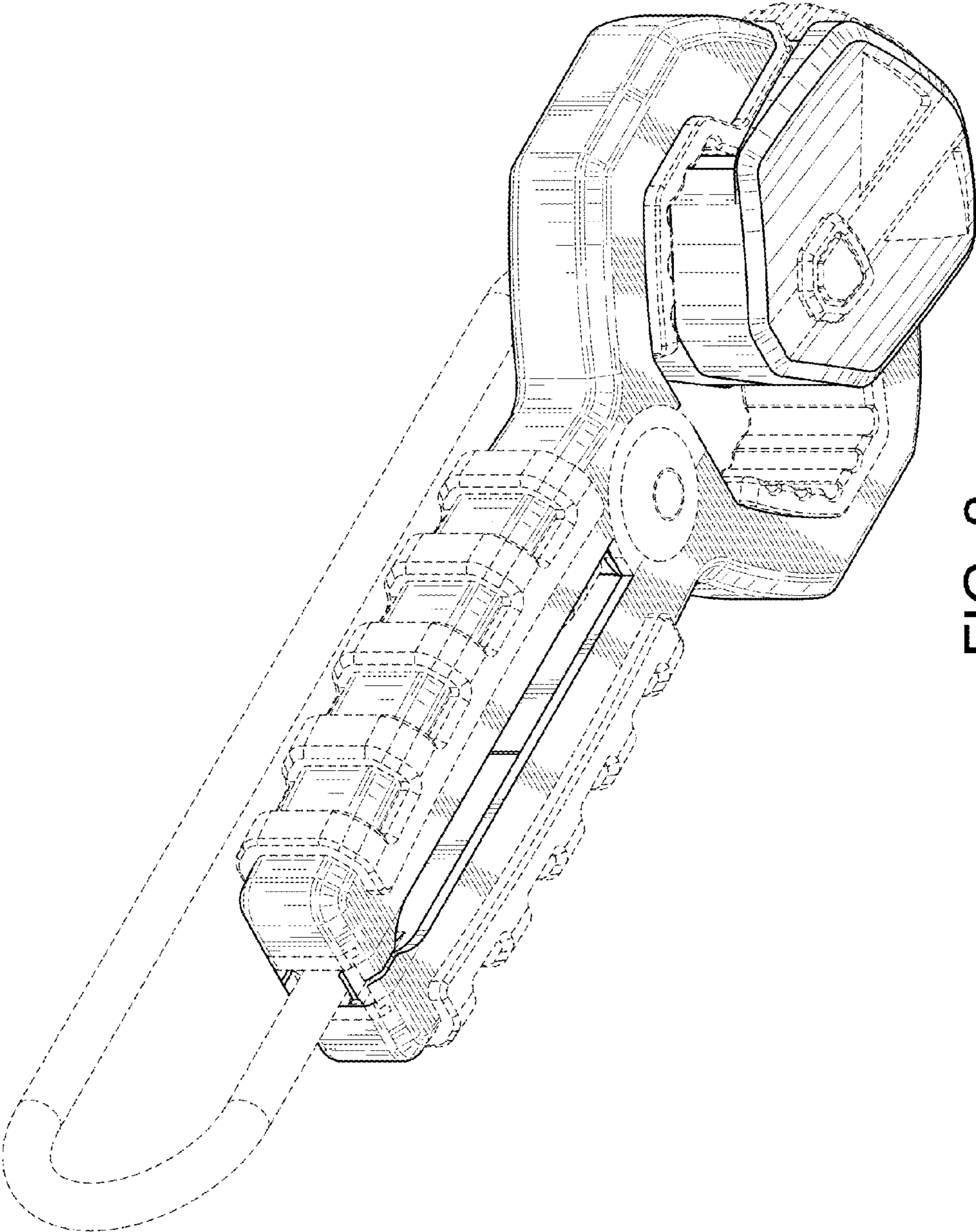


FIG. 2

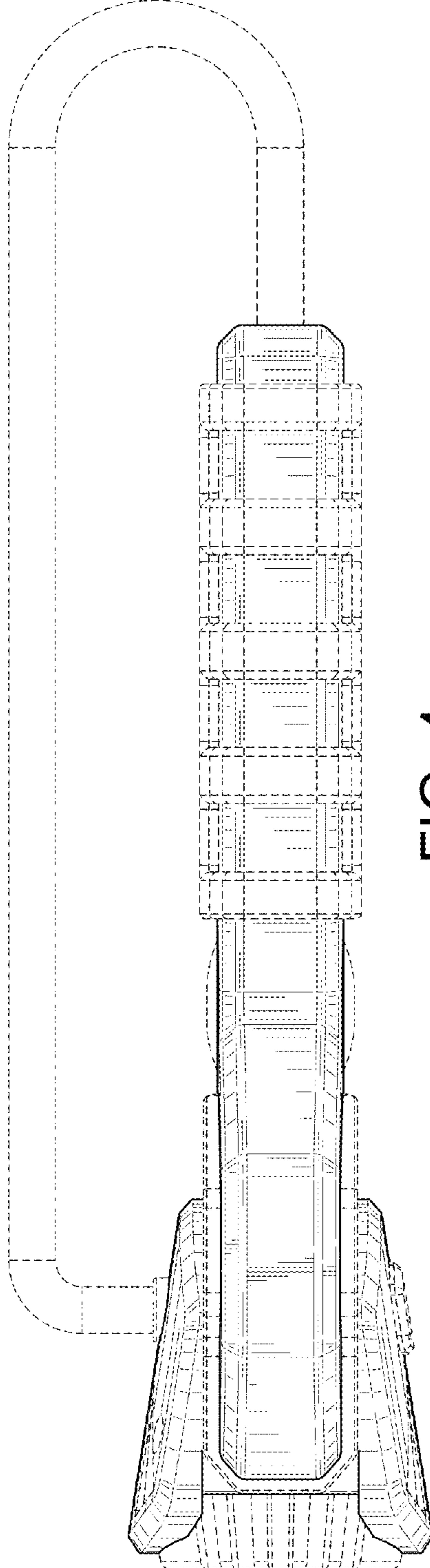


FIG. 4

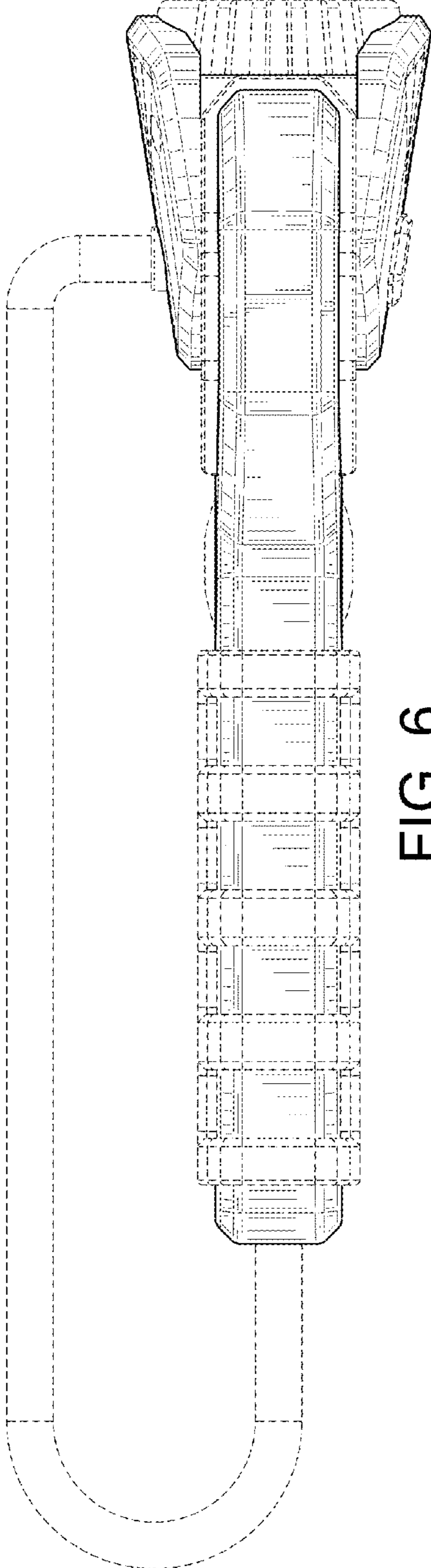


FIG. 6

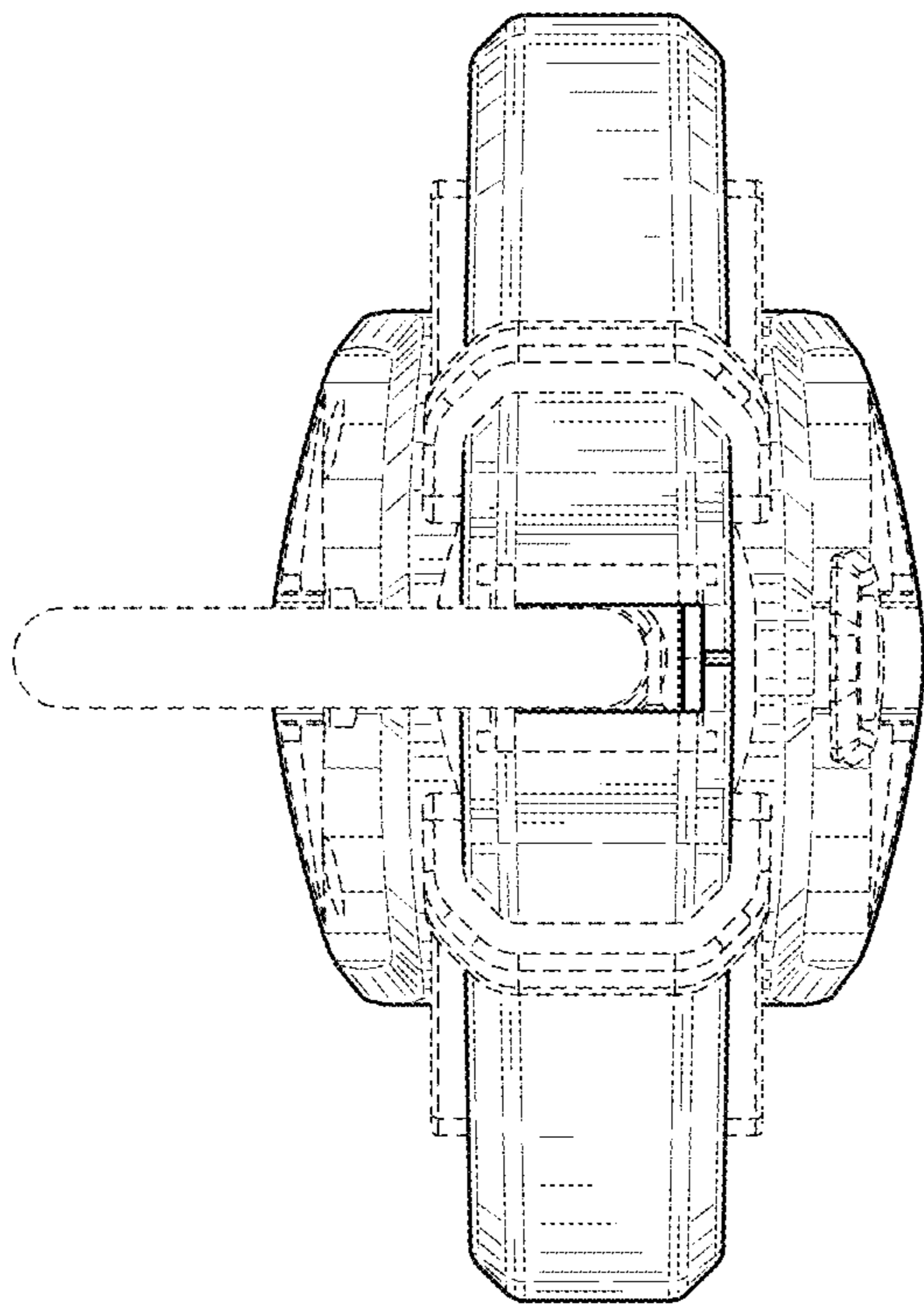


FIG. 5

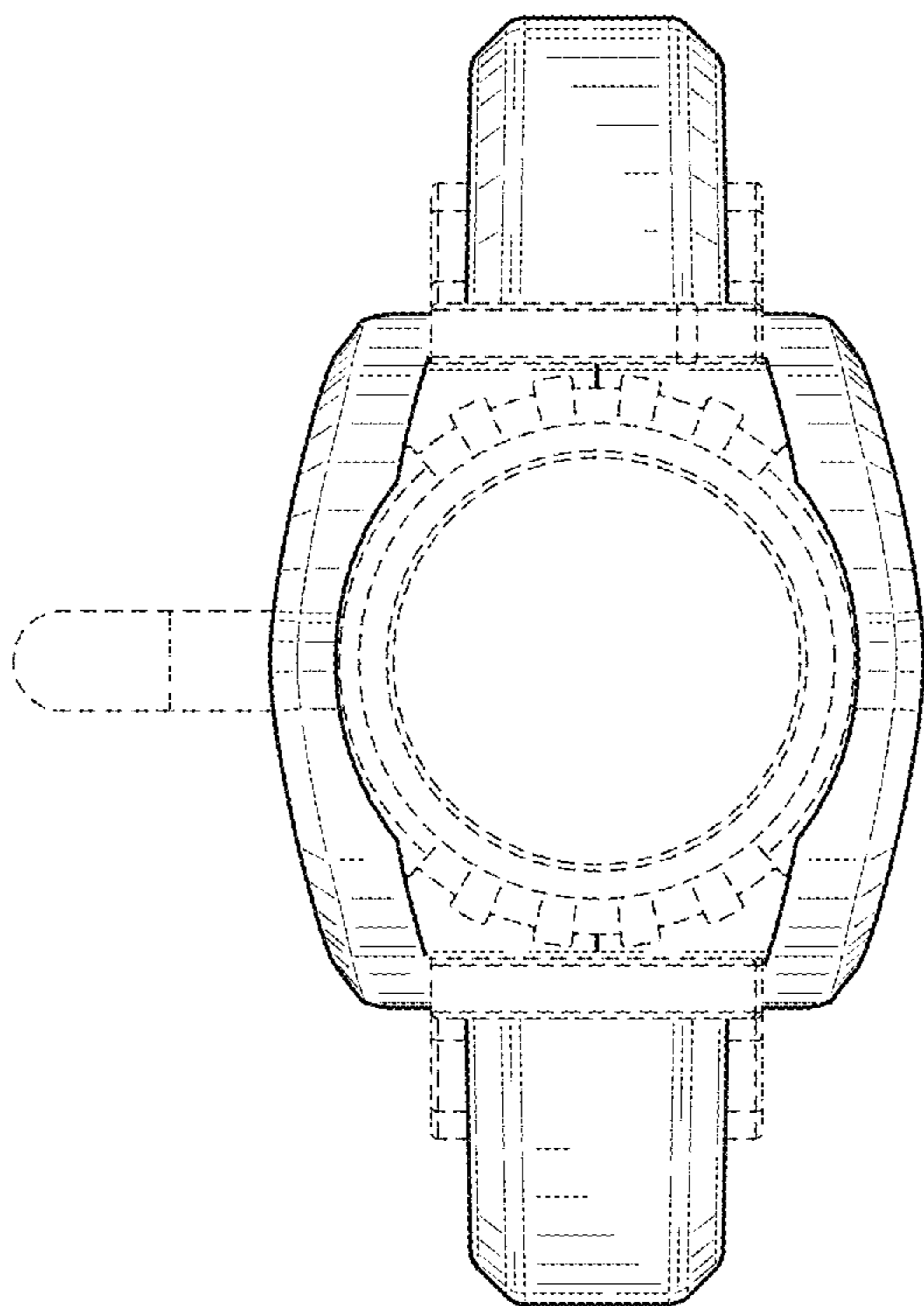


FIG. 3

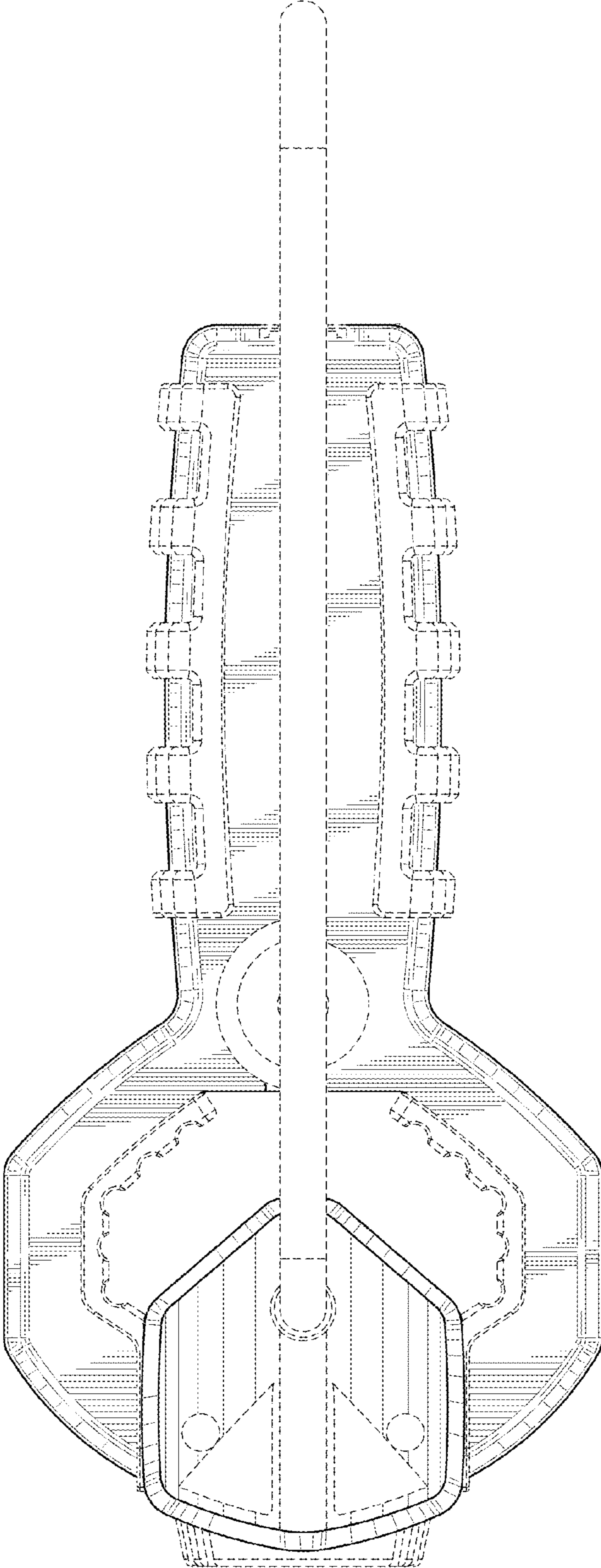


FIG. 7

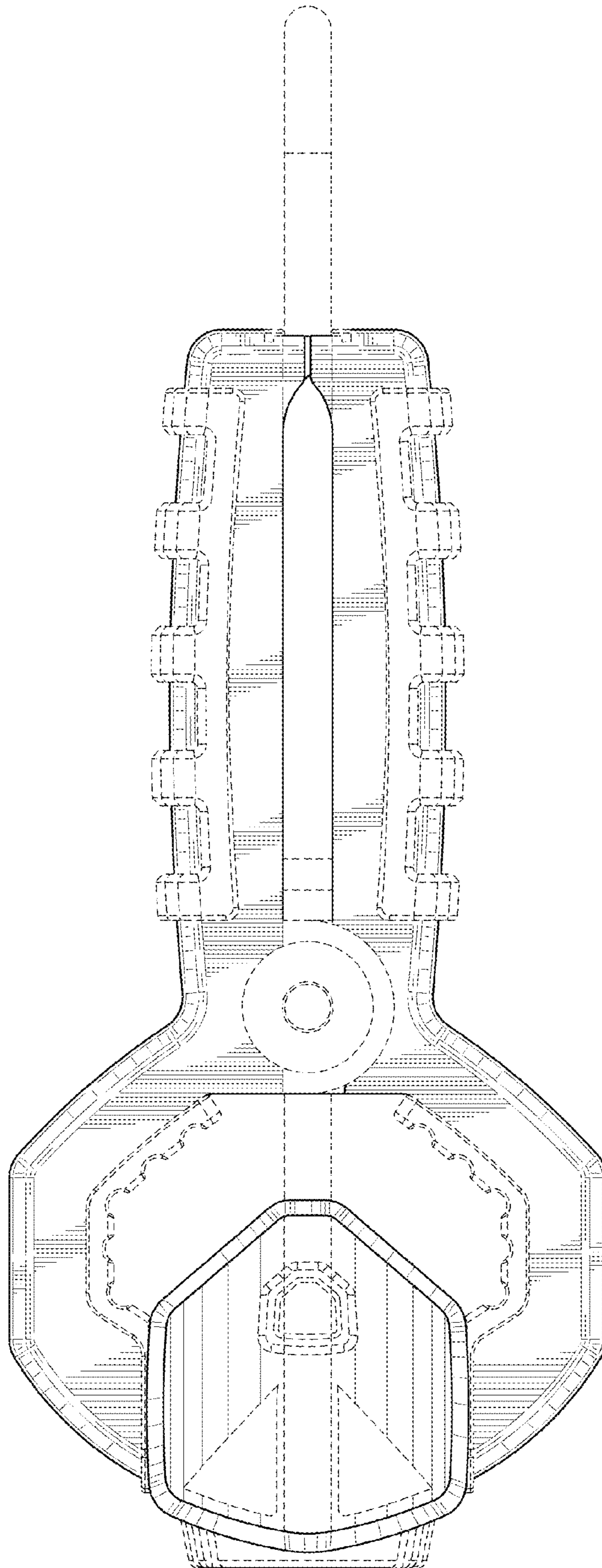


FIG. 8