



US00D737486S

(12) **United States Design Patent**  
**Lai**

(10) **Patent No.:** **US D737,486 S**

(45) **Date of Patent:** **\*\* Aug. 25, 2015**

(54) **EXTERIOR SURFACE CONFIGURATION OF  
VEHICLE TAILLIGHT**

(71) Applicant: **EAGLE EYES TRAFFIC IND. CO.,  
LTD.**, Tainan (TW)

(72) Inventor: **Ching-Tsung Lai**, Tainan (TW)

(73) Assignee: **EAGLE EYES TRAFFIC IND. CO.,  
LTD.**, Tainan (TW)

(\*\*) Term: **14 Years**

(21) Appl. No.: **29/493,496**

(22) Filed: **Jun. 10, 2014**

(51) **LOC (10) Cl.** ..... **26-06**

(52) **U.S. Cl.**  
USPC ..... **D26/28**

(58) **Field of Classification Search**  
USPC ..... D26/28-36; 362/459-468, 475-478,  
362/485-487

See application file for complete search history.

(56) **References Cited**

U.S. PATENT DOCUMENTS

D523,976 S *	6/2006	Pfeiffer et al.	.....	D26/28
D528,680 S *	9/2006	Oda	.....	D26/28
D538,452 S *	3/2007	Pfeiffer	.....	D26/28
D539,450 S *	3/2007	Pfeiffer	.....	D26/28
D540,480 S *	4/2007	Pfeiffer	.....	D26/28
D552,769 S *	10/2007	Leclercq	.....	D26/28

\* cited by examiner

*Primary Examiner* — Marcus Jackson

(74) *Attorney, Agent, or Firm* — Muncy, Geissler, Olds & Lowe, P.C.

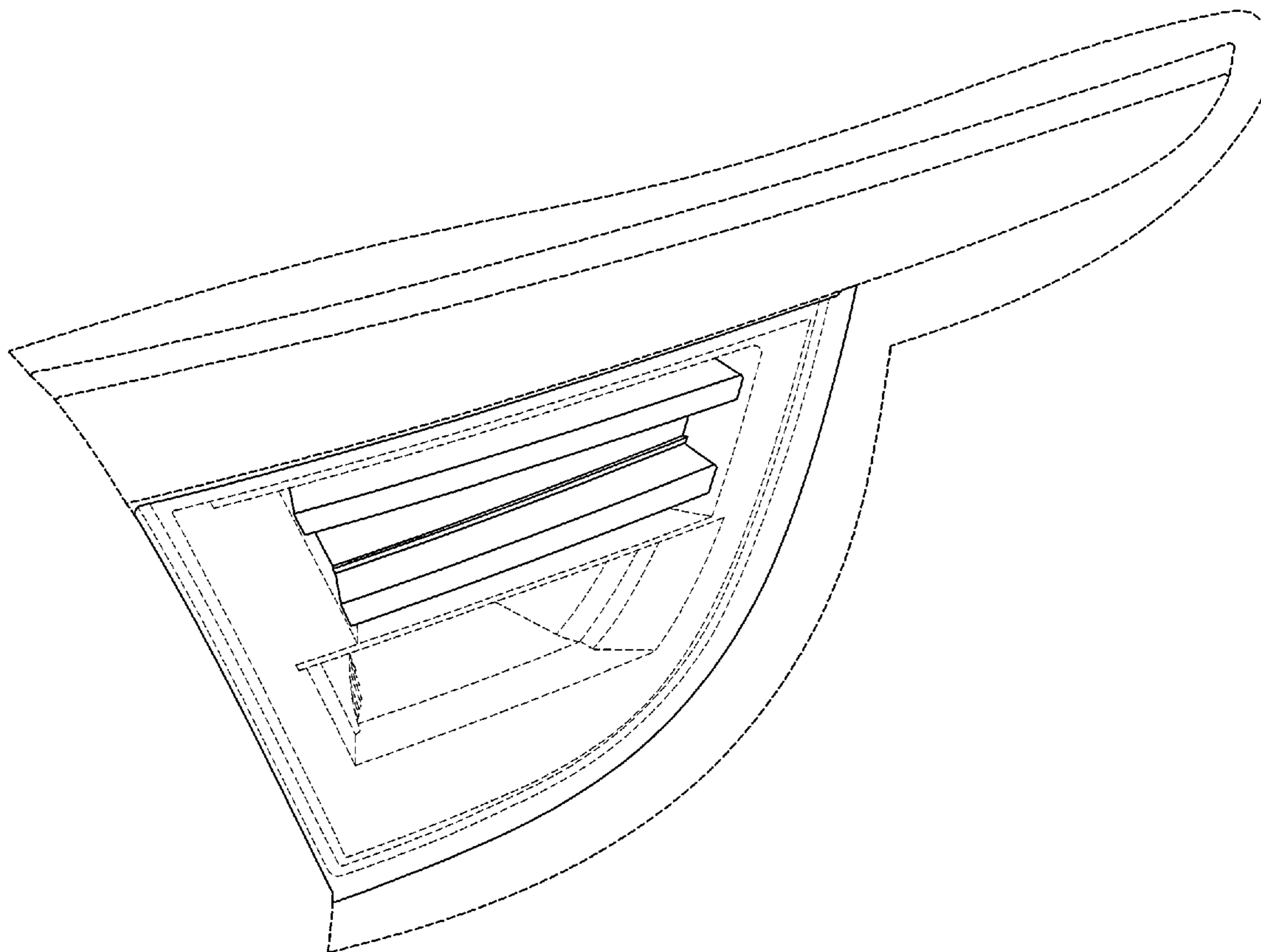
(57) **CLAIM**

I claim, the ornamental design for an exterior surface configuration of a vehicle taillight, as shown and described.

**DESCRIPTION**

FIG. 1 is a perspective view of an exterior surface configuration of a vehicle taillight showing my present design; FIG. 2 is a front view thereof; FIG. 3 is a left view thereof; and, FIG. 4 is a top plan view thereof. The broken lines shown in FIGS. 1-4 are for illustrative purposes only and form no part of the claimed design.

**1 Claim, 4 Drawing Sheets**



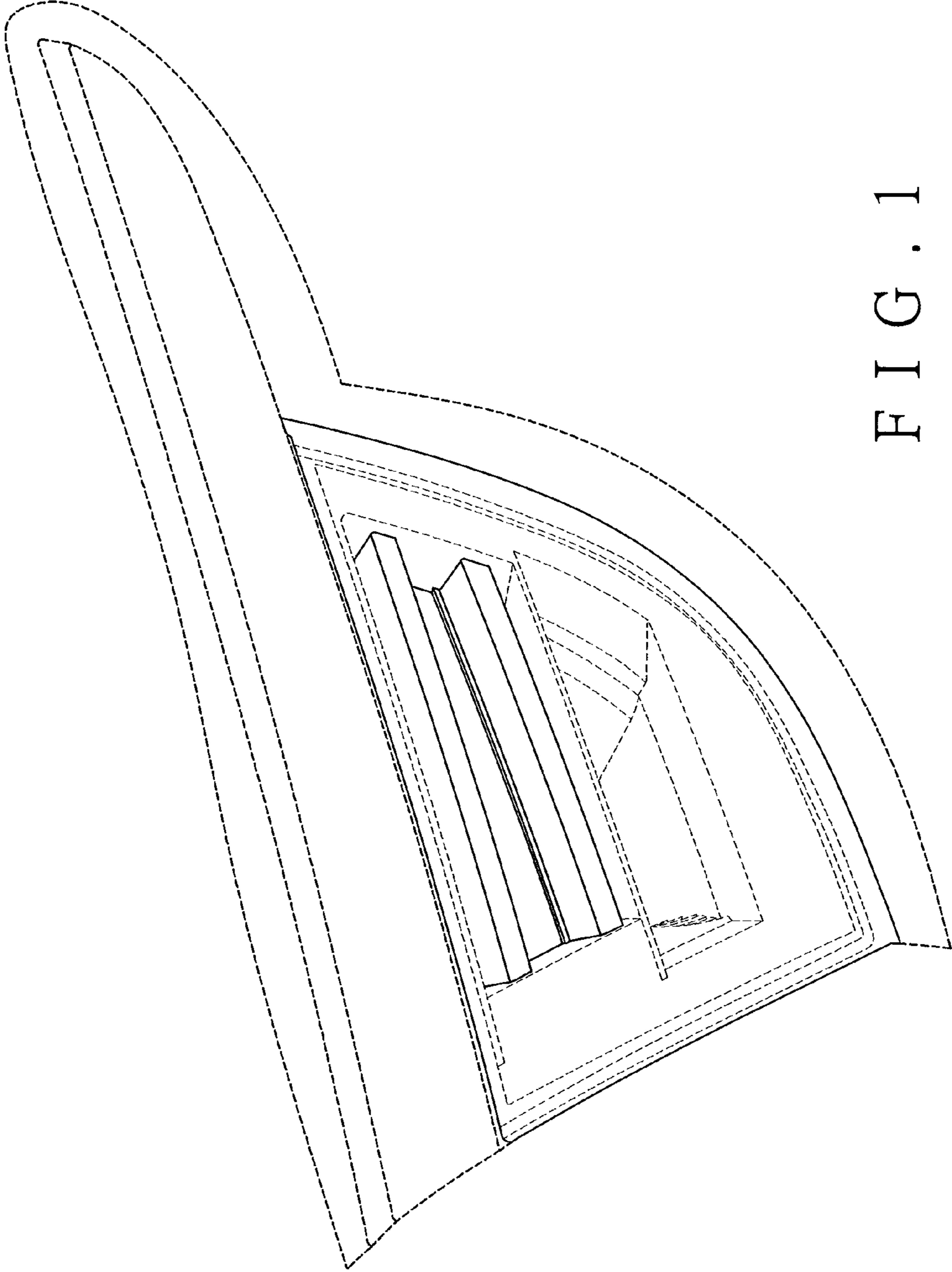


FIG. 1

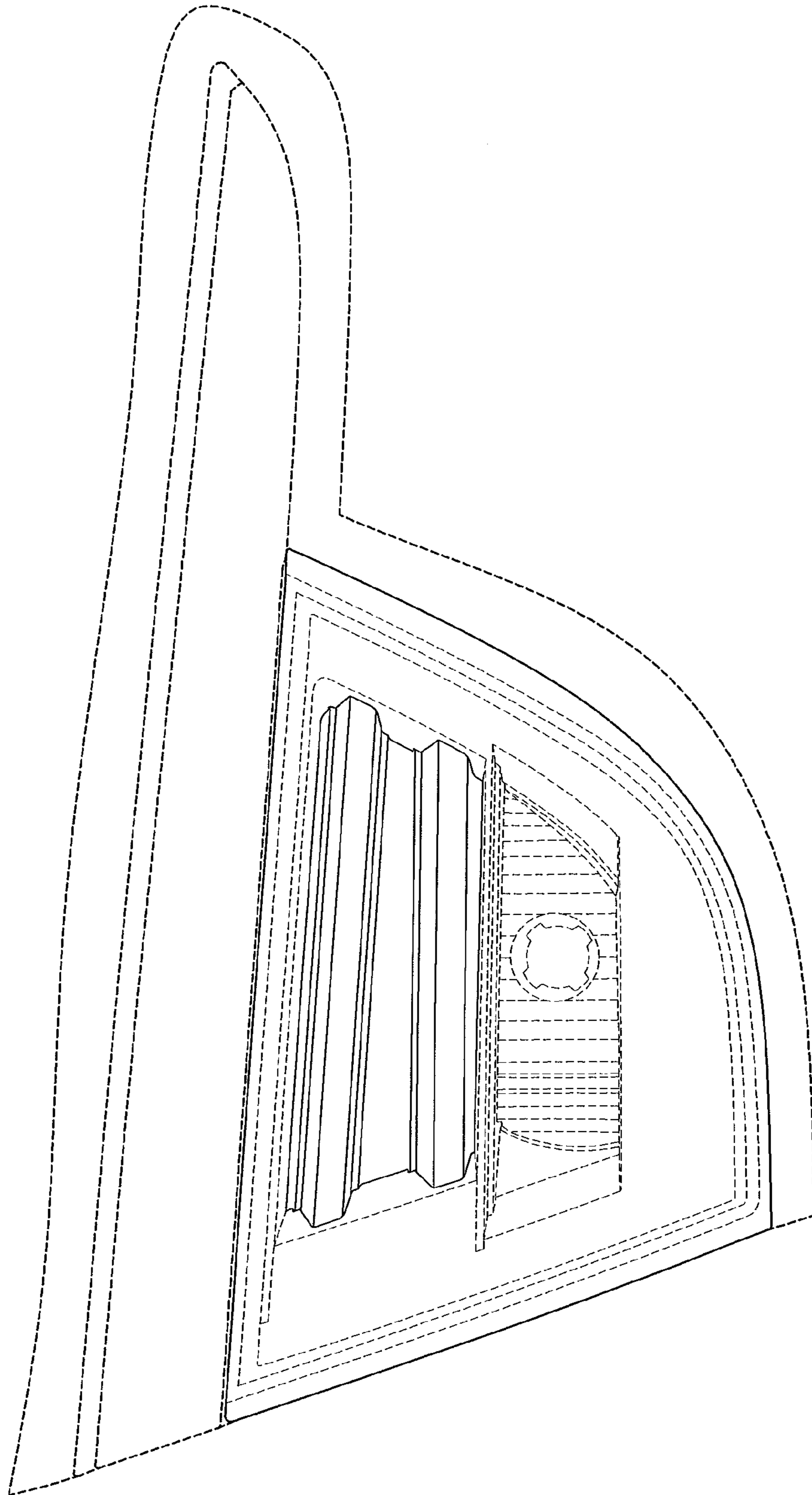


FIG. 2

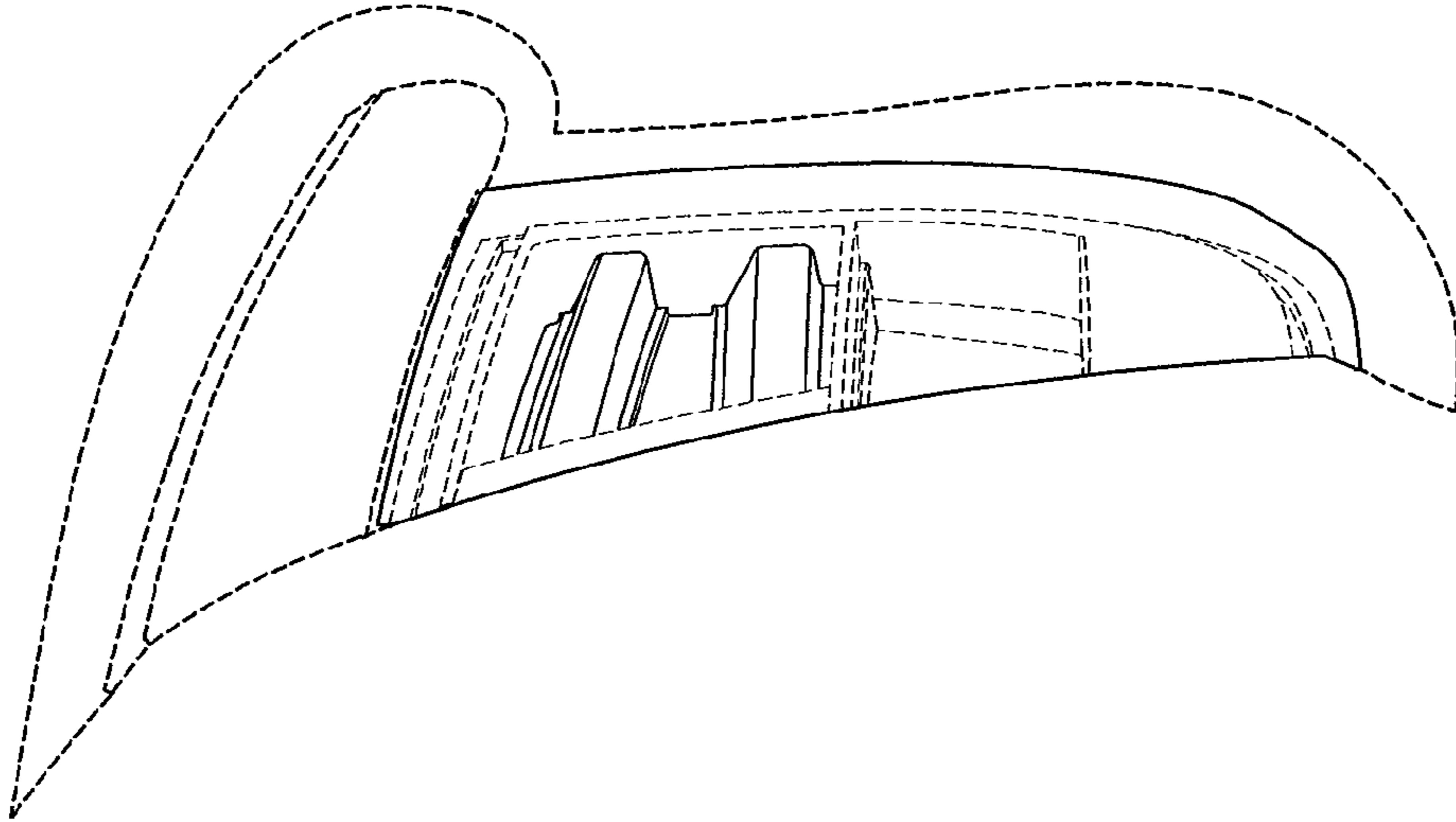


FIG. 3

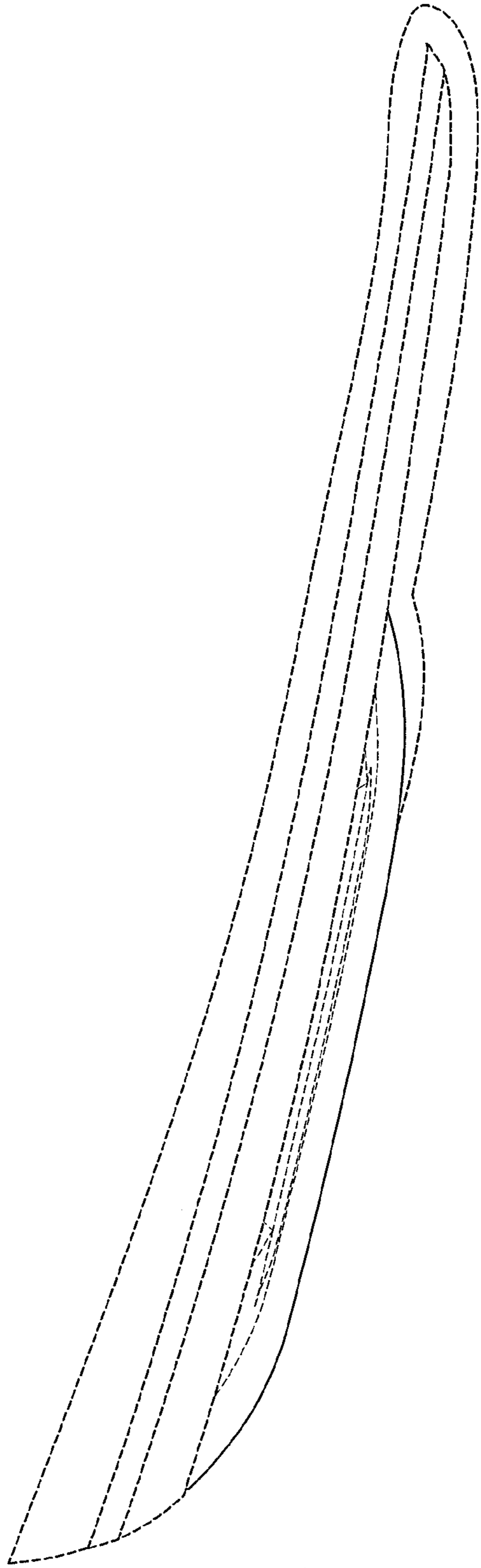


FIG. 4