



US00D737483S

(12) **United States Design Patent**
Roberts et al.

(10) **Patent No.:** **US D737,483 S**
(45) **Date of Patent:** **** Aug. 25, 2015**

(54) **VEHICLE LIGHT**

(71) Applicant: **Jaguar Land Rover Limited**, Coventry (GB)

(72) Inventors: **Joseph Roberts**, Coventry (GB);
Andrew Wheel, Coventry (GB)

(73) Assignee: **Jaguar Land Rover Limited** (GB)

(**) Term: **14 Years**

(21) Appl. No.: **29/483,501**

(22) Filed: **Feb. 28, 2014**

(51) **LOC (10) Cl.** **26-06**

(52) **U.S. Cl.**
USPC **D26/28**

(58) **Field of Classification Search**
USPC D26/139, 28, 31, 34, 36, 140, 121;
362/341, 473, 475, 523, 84, 459-468,
362/485-487
CPC B62J 6/00; B62J 17/202
See application file for complete search history.

(56) **References Cited**

U.S. PATENT DOCUMENTS

6,511,215	B2 *	1/2003	Hashigaya	362/515
D515,726	S *	2/2006	Ruzicka et al.	D26/139
D526,435	S *	8/2006	Lau et al.	D26/139
D542,442	S *	5/2007	Matsunami	D26/28
D544,641	S *	6/2007	Elwell et al.	D26/139
D556,349	S *	11/2007	Golden et al.	D26/28

D563,575	S *	3/2008	Gresens et al.	D26/28
D570,007	S *	5/2008	Hsu	D26/28
D576,765	S *	9/2008	Song et al.	D26/139
D637,326	S *	5/2011	Yang	D26/28
D697,242	S *	1/2014	Hanson et al.	D26/28
D706,470	S *	6/2014	Lai	D26/28
D713,569	S *	9/2014	Badstuebner	D26/28
D717,982	S *	11/2014	Lai	D26/28

* cited by examiner

Primary Examiner — Ralf Seifert

(74) *Attorney, Agent, or Firm* — Fishman Stewart Yamaguchi PLLC

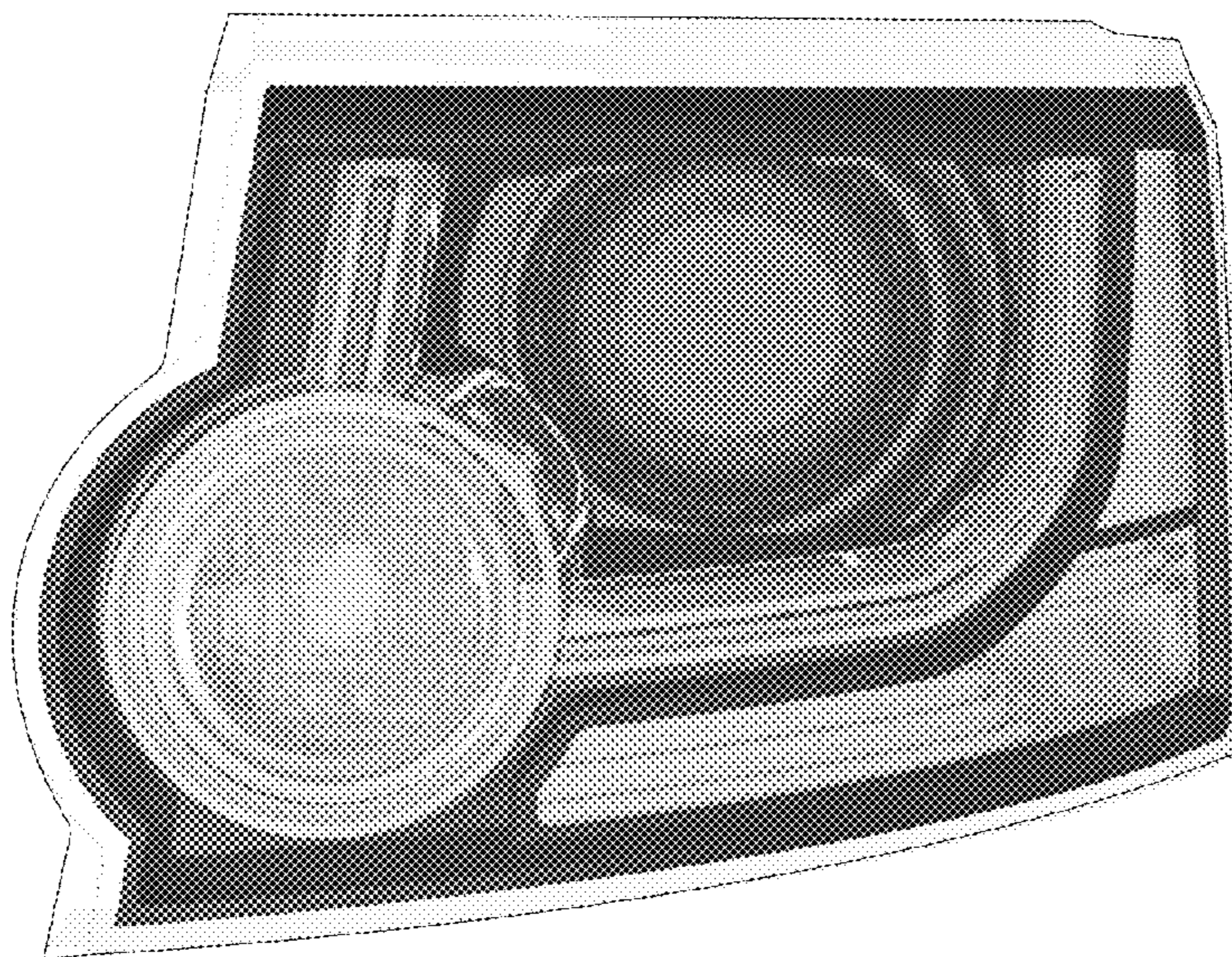
(57) **CLAIM**

The ornamental design for a vehicle light, as shown and described.

DESCRIPTION

FIG. 1 is a front perspective view of a vehicle light showing my new design;
FIG. 2 is a rear perspective view of FIG. 1;
FIG. 3 is an outboard side view of FIG. 1;
FIG. 4 is an inboard side view of FIG. 1;
FIG. 5 is a front view of FIG. 1;
FIG. 6 is a rear view of FIG. 1; and,
FIG. 7 is a top view of FIG. 1.
Portions of the figures that are shown with diagonal lines are for illustrative purposes only and form no part of the claimed design.

1 Claim, 4 Drawing Sheets



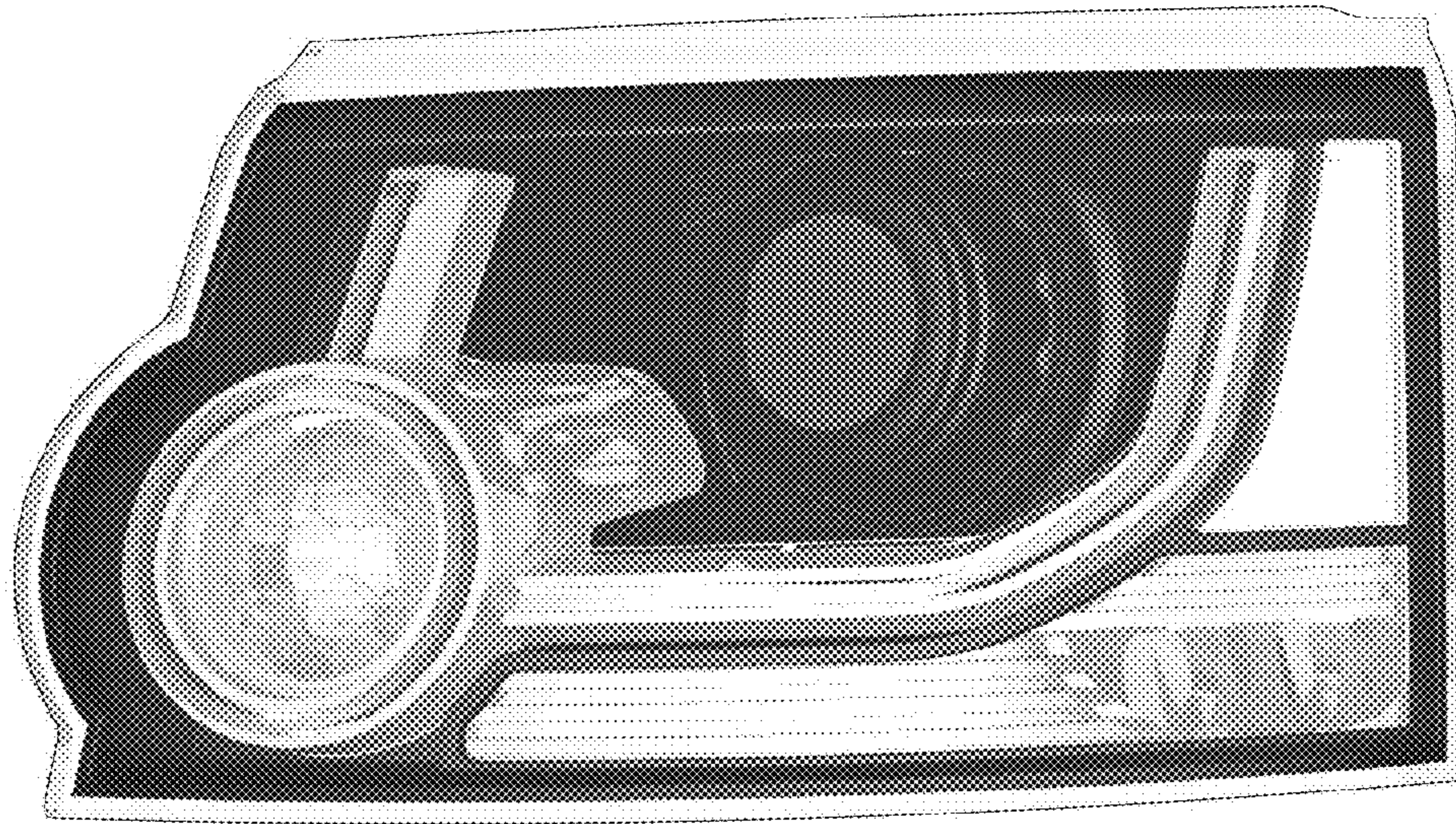


FIG. 1

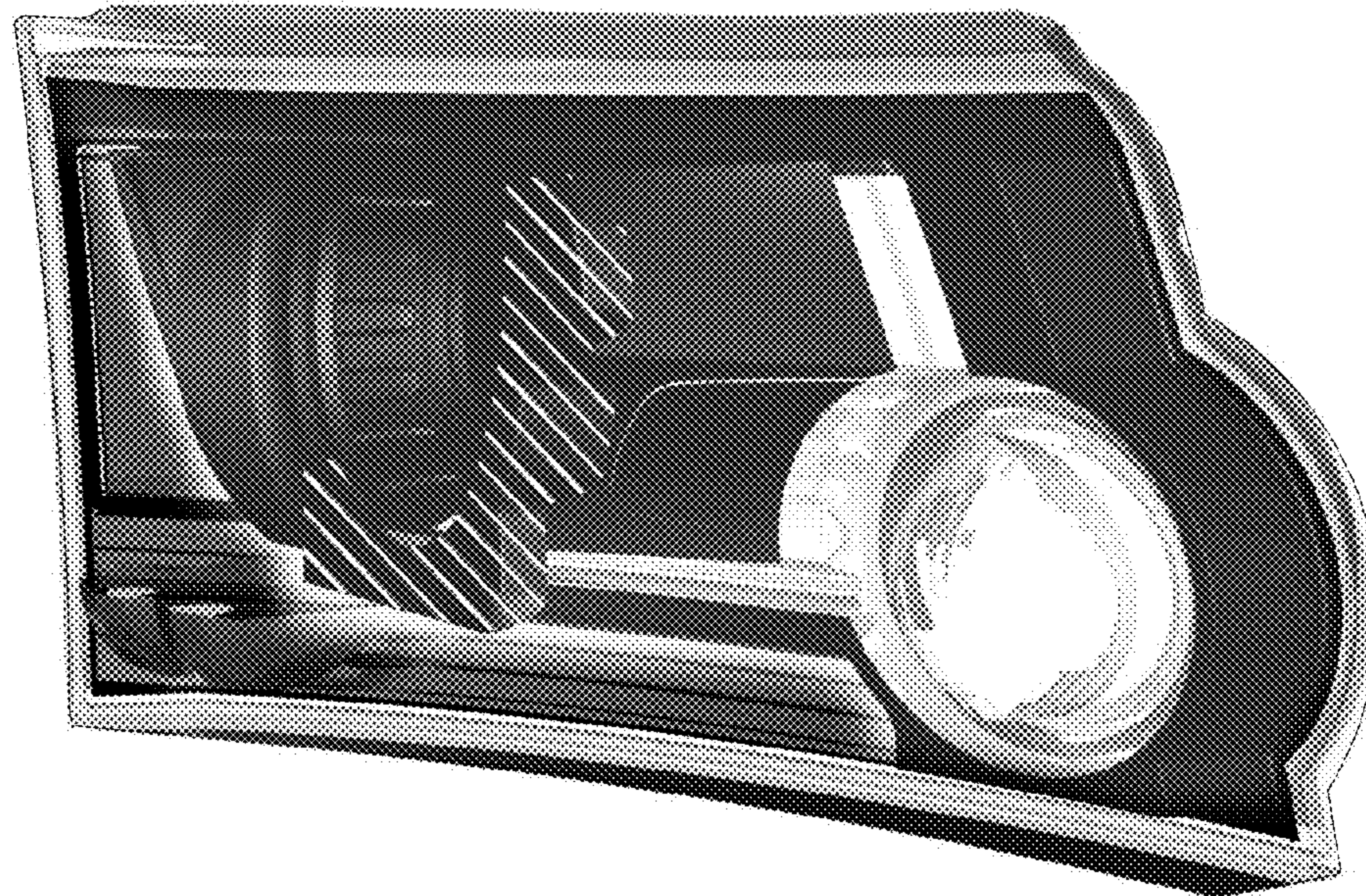


FIG. 2

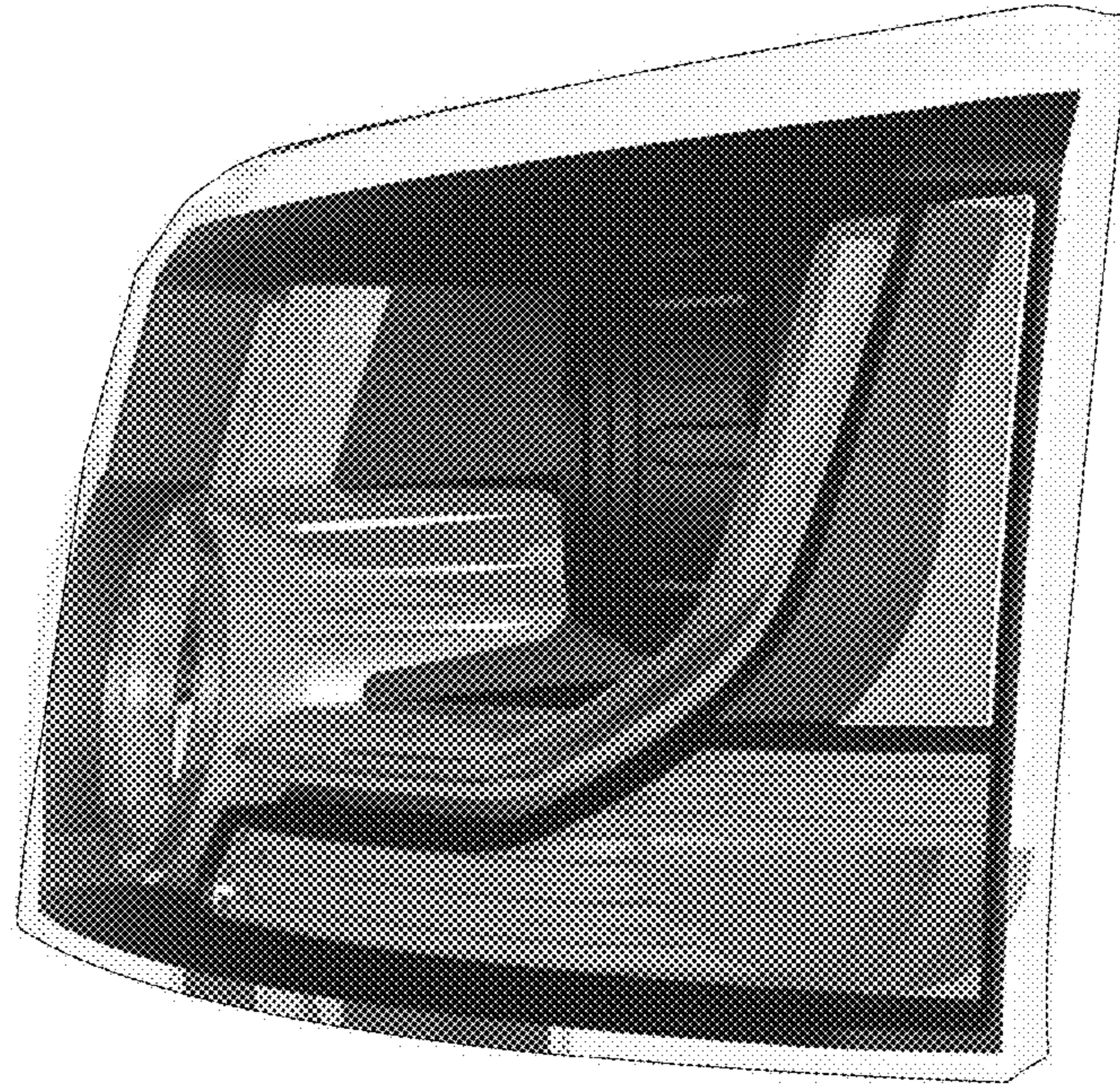


FIG. 3

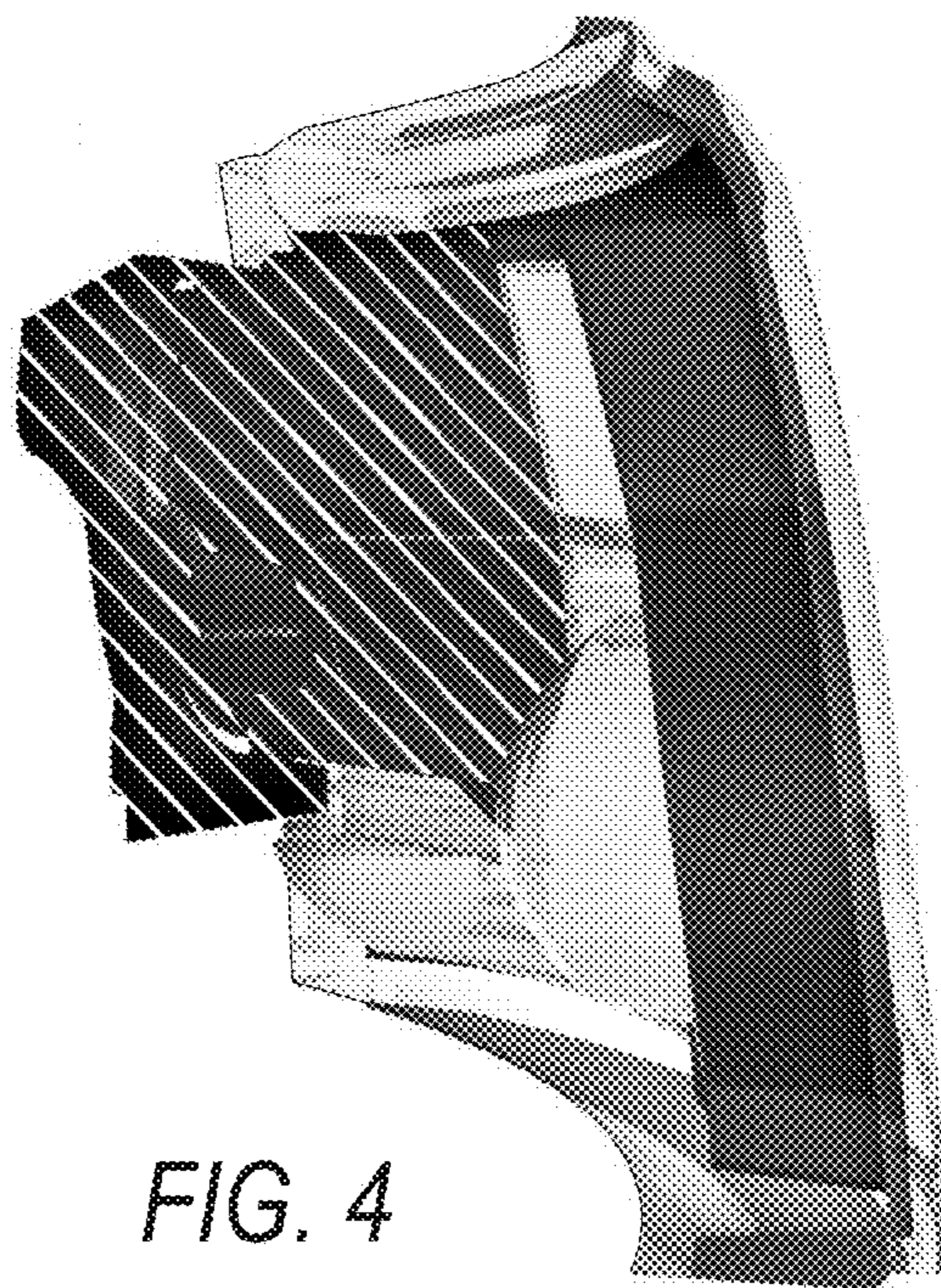


FIG. 4

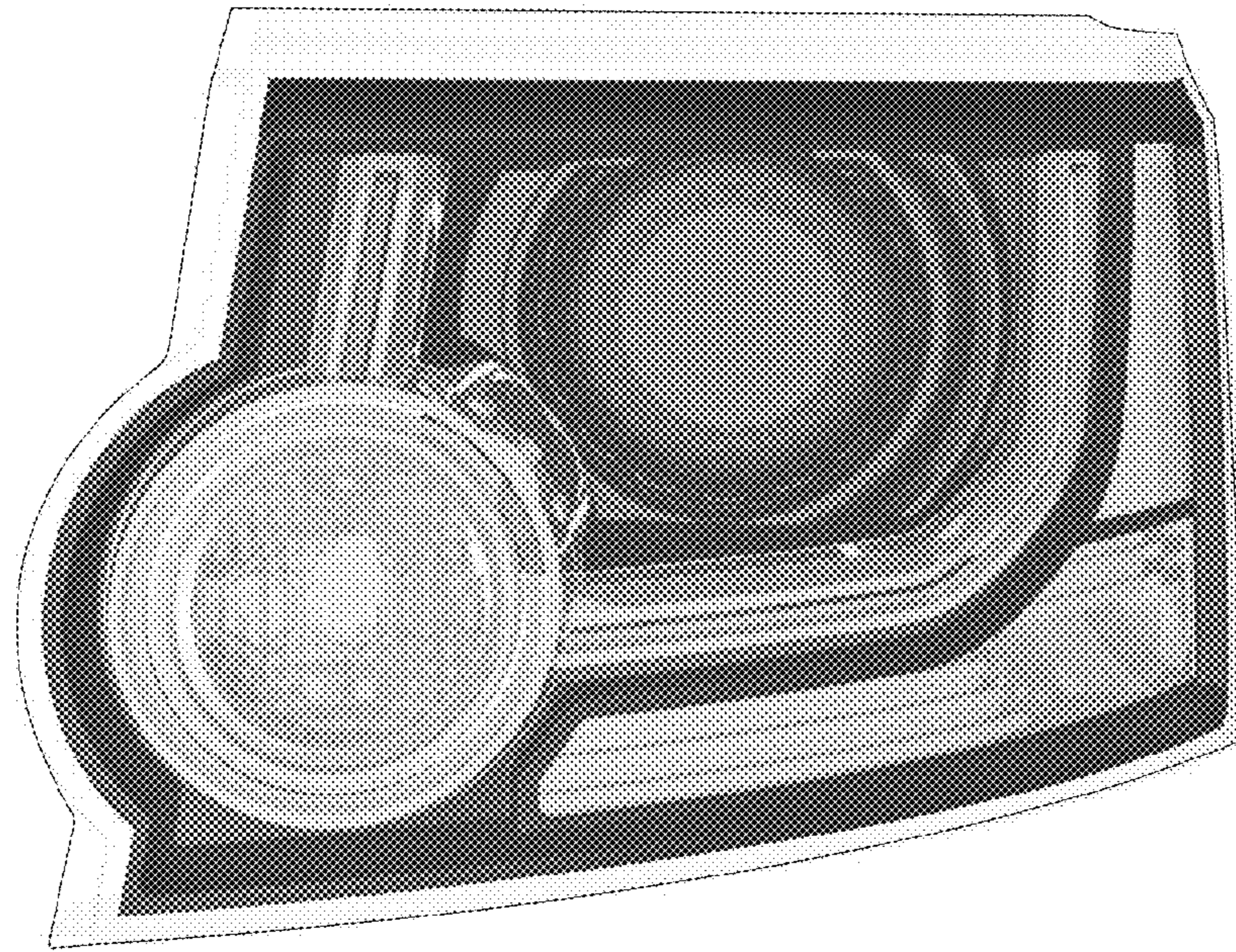


FIG. 5

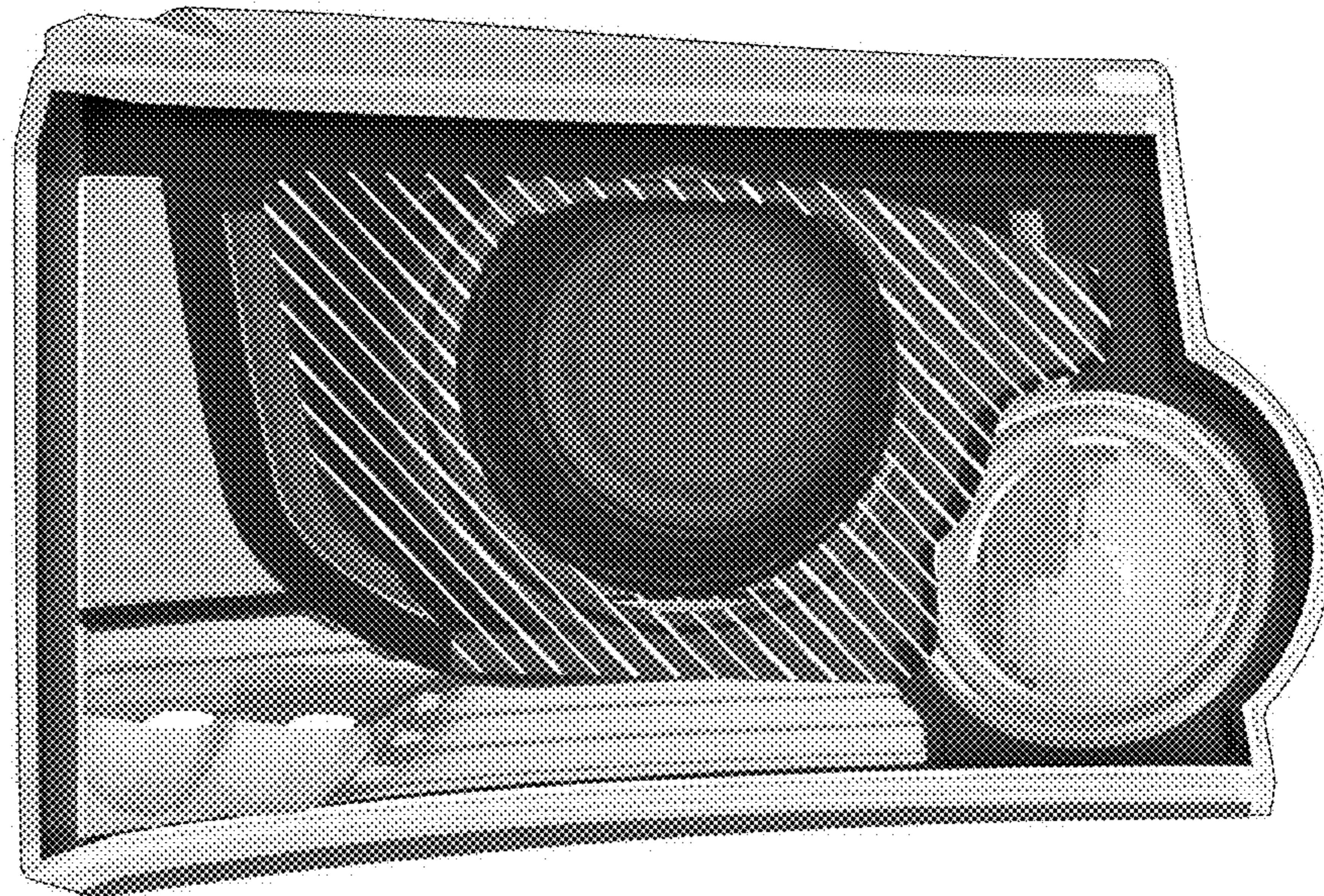


FIG. 6

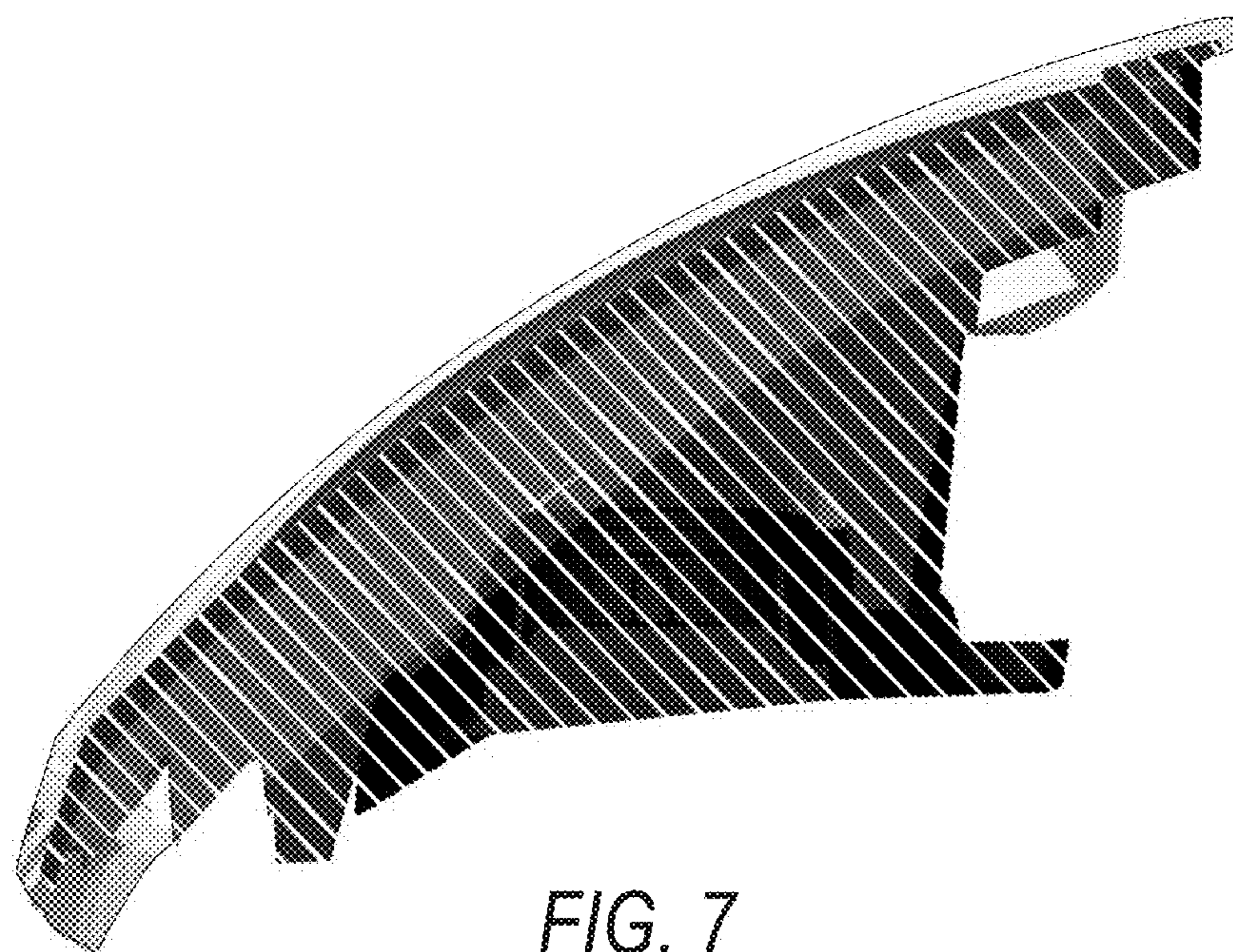


FIG. 7