



US00D737482S

(12) **United States Design Patent**  
**Kuge**

(10) **Patent No.:** **US D737,482 S**  
(45) **Date of Patent:** **\*\* Aug. 25, 2015**

(54) **ACCESSORY AUTO LAMP**

(71) Applicant: **Hella KGaA Hueck & Co.**, Lippstadt  
(DE)

(72) Inventor: **Matthias Kuge**, Paderborn (DE)

(73) Assignee: **Hella KGaA Hueck & Co.**, Lippstadt  
(DE)

(\*\*) Term: **14 Years**

(21) Appl. No.: **29/476,166**

(22) Filed: **Dec. 11, 2013**

(30) **Foreign Application Priority Data**

Jun. 12, 2013 (EM) ..... 002254185

(51) **LOC (10) Cl.** ..... **26-06**

(52) **U.S. Cl.**  
USPC ..... **D26/28**

(58) **Field of Classification Search**  
USPC ..... D26/139, 28, 31, 34, 36, 140, 121;  
362/341, 473, 475, 523, 84  
CPC ..... B62J 6/00; B62J 17/202  
See application file for complete search history.

(56) **References Cited**

U.S. PATENT DOCUMENTS

D260,558 S *	9/1981	Catte .....	D26/29
D490,172 S *	5/2004	Yamamoto .....	D26/28
D564,683 S *	3/2008	Roach et al. ....	D26/28
D626,670 S *	11/2010	Metzger et al. ....	D26/28
D688,400 S *	8/2013	Haumann .....	D26/28
D716,477 S *	10/2014	Chu .....	D26/28
D718,478 S *	11/2014	Adams .....	D26/28

\* cited by examiner

*Primary Examiner* — Ralf Seifert

(74) *Attorney, Agent, or Firm* — Husch Blackwell, LLP

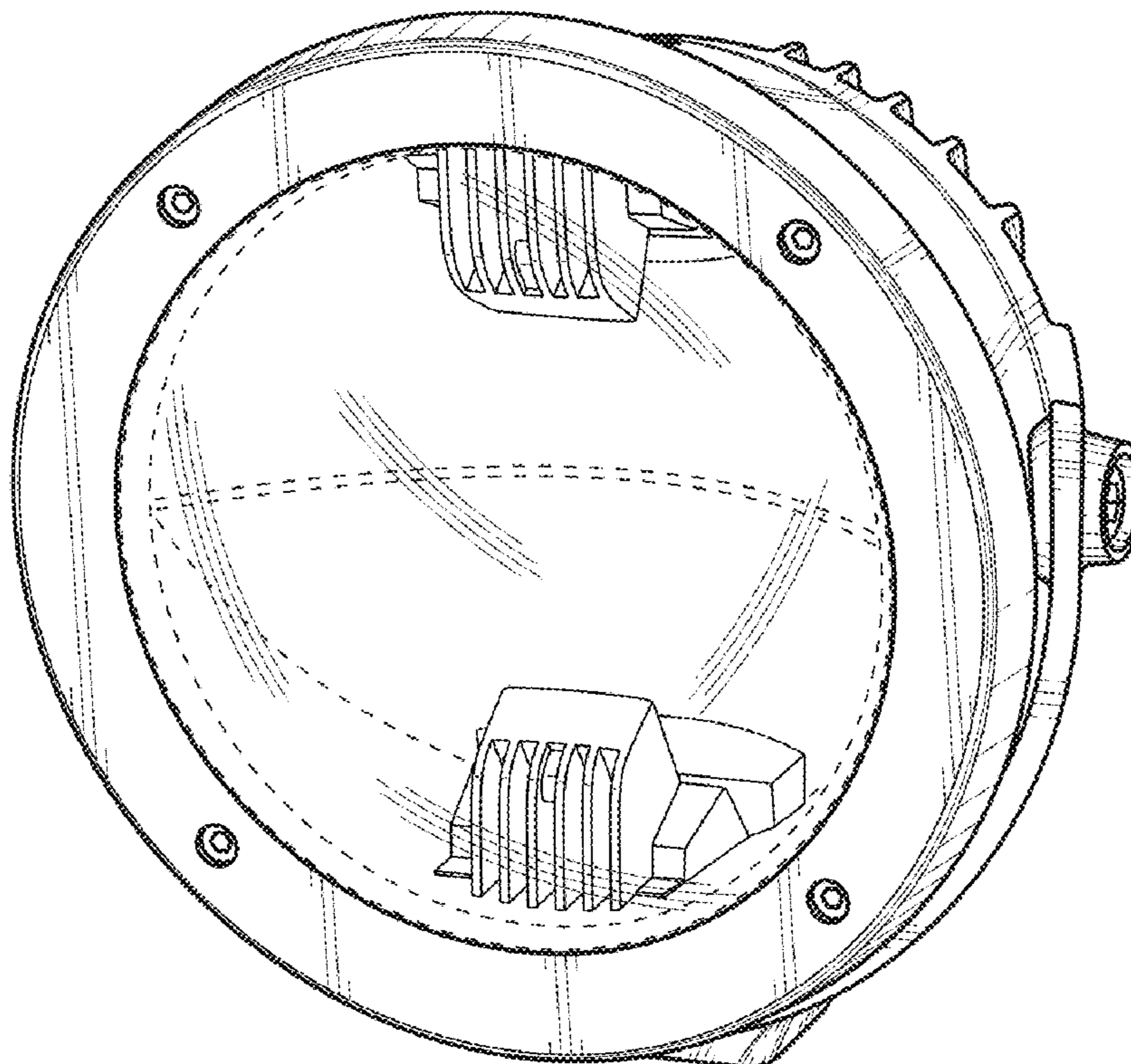
(57) **CLAIM**

I claim the ornamental design for an accessory auto lamp, as shown and described.

**DESCRIPTION**

FIG. 1 is a perspective view of an accessory auto lamp according to my new design;  
FIG. 2 is a front view thereof;  
FIG. 3 is a rear view thereof;  
FIG. 4 is a right side view thereof;  
FIG. 5 is a top view thereof; and,  
FIG. 6 is a bottom view thereof.  
The broken line showing of in FIGS. 1, 2 and 6 is included for the purpose of illustrating unclaimed matter and forms no part of the claimed design.

**1 Claim, 5 Drawing Sheets**



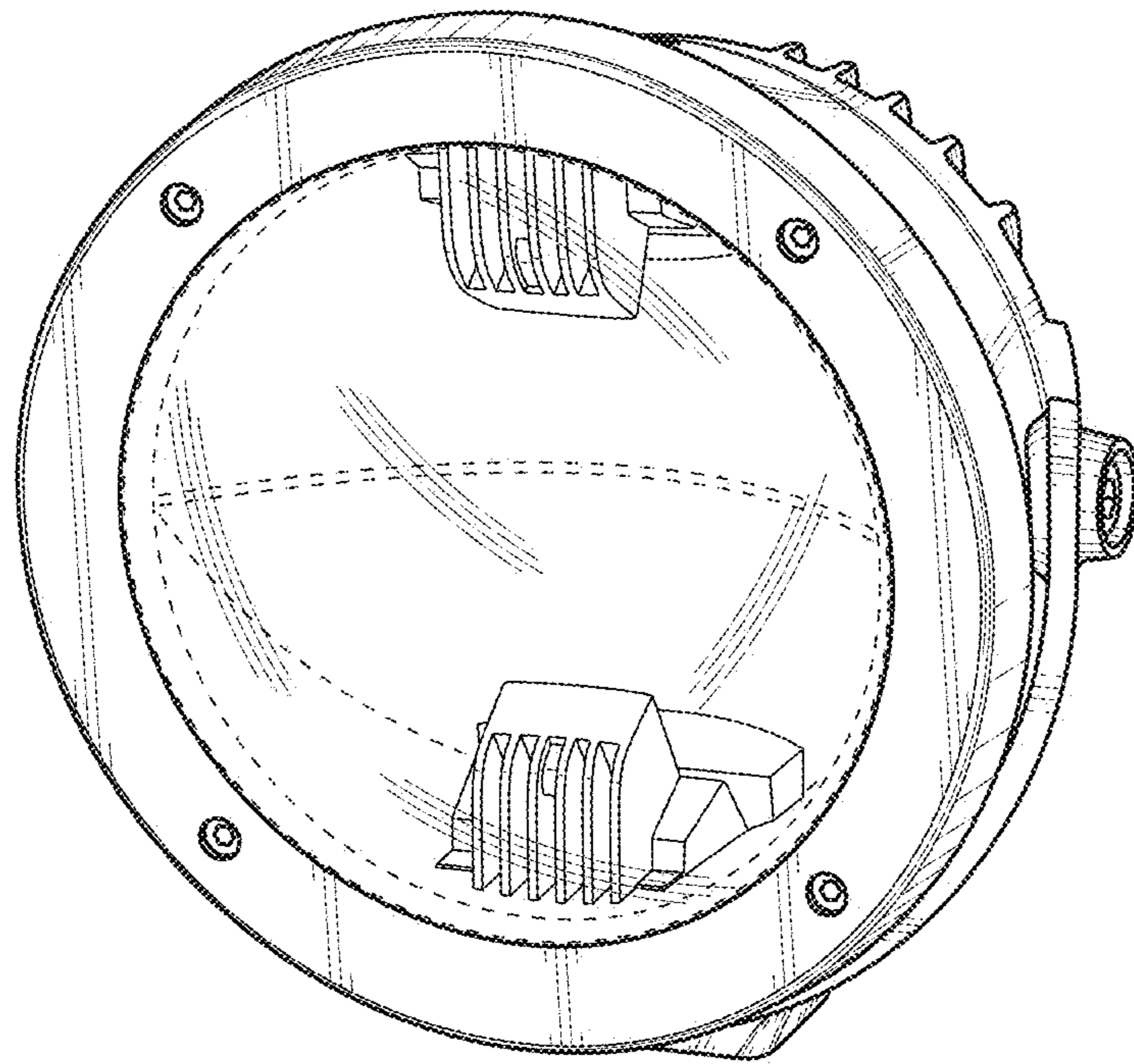


FIG. 1

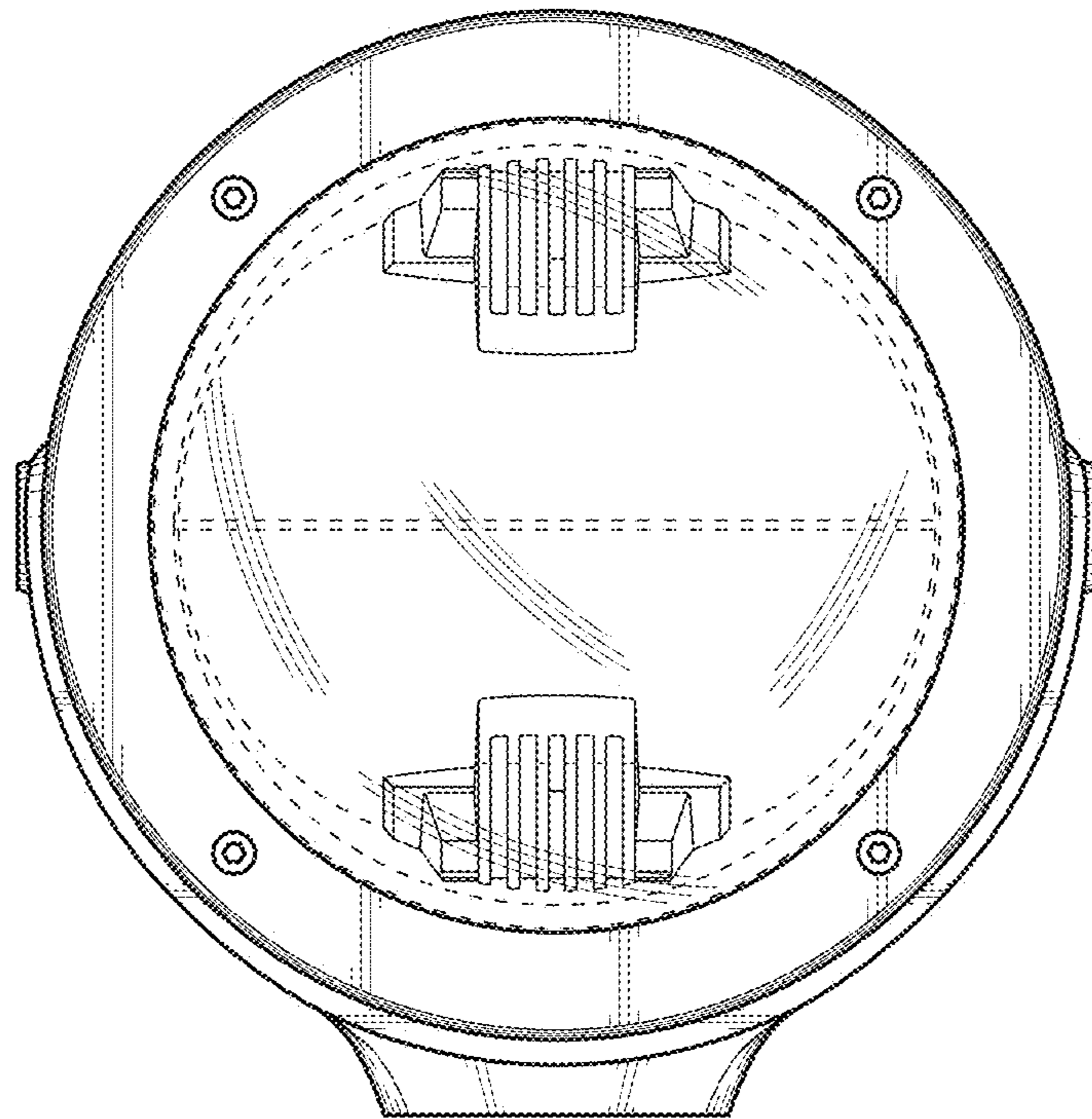


FIG. 2

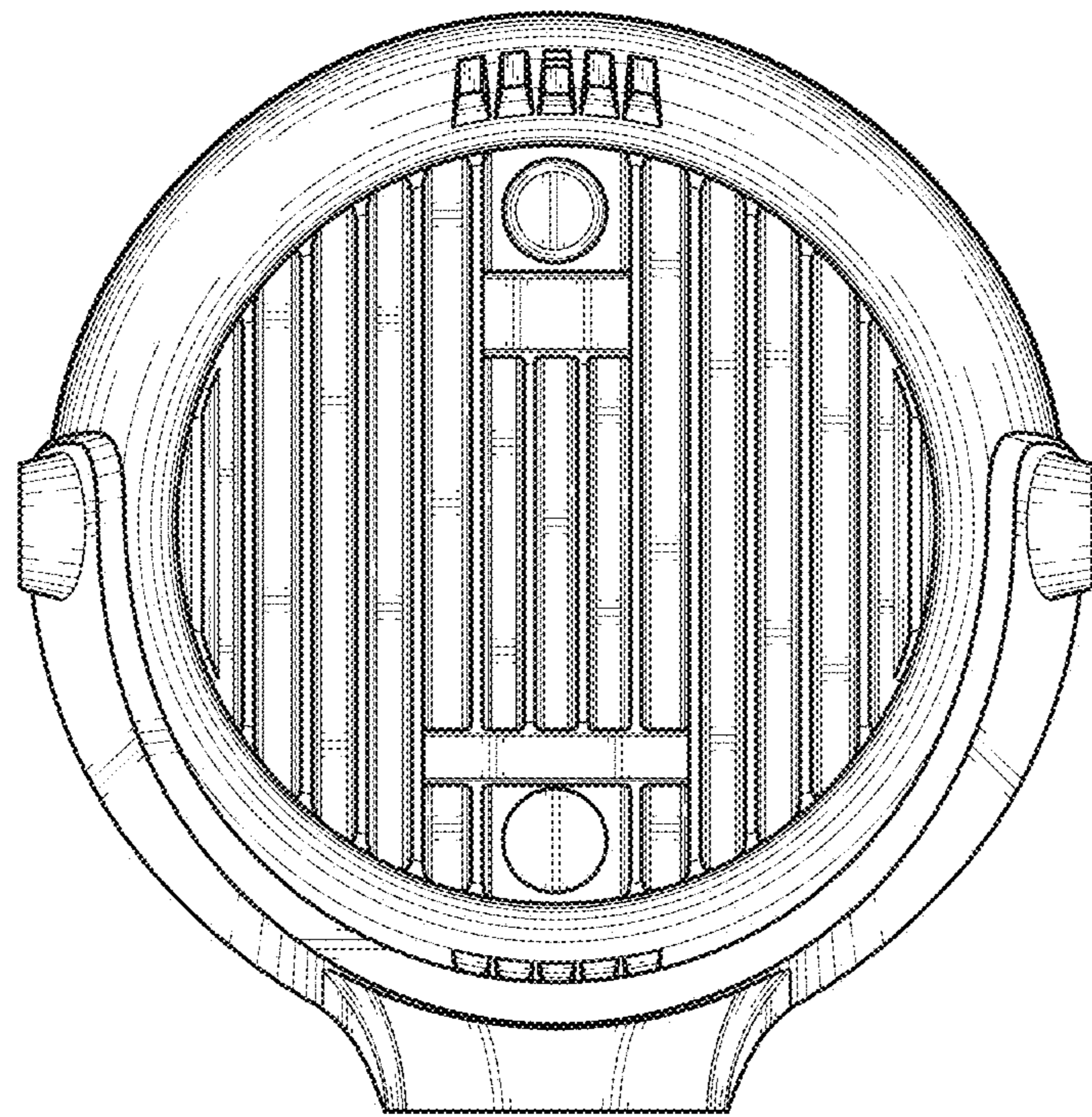


FIG. 3

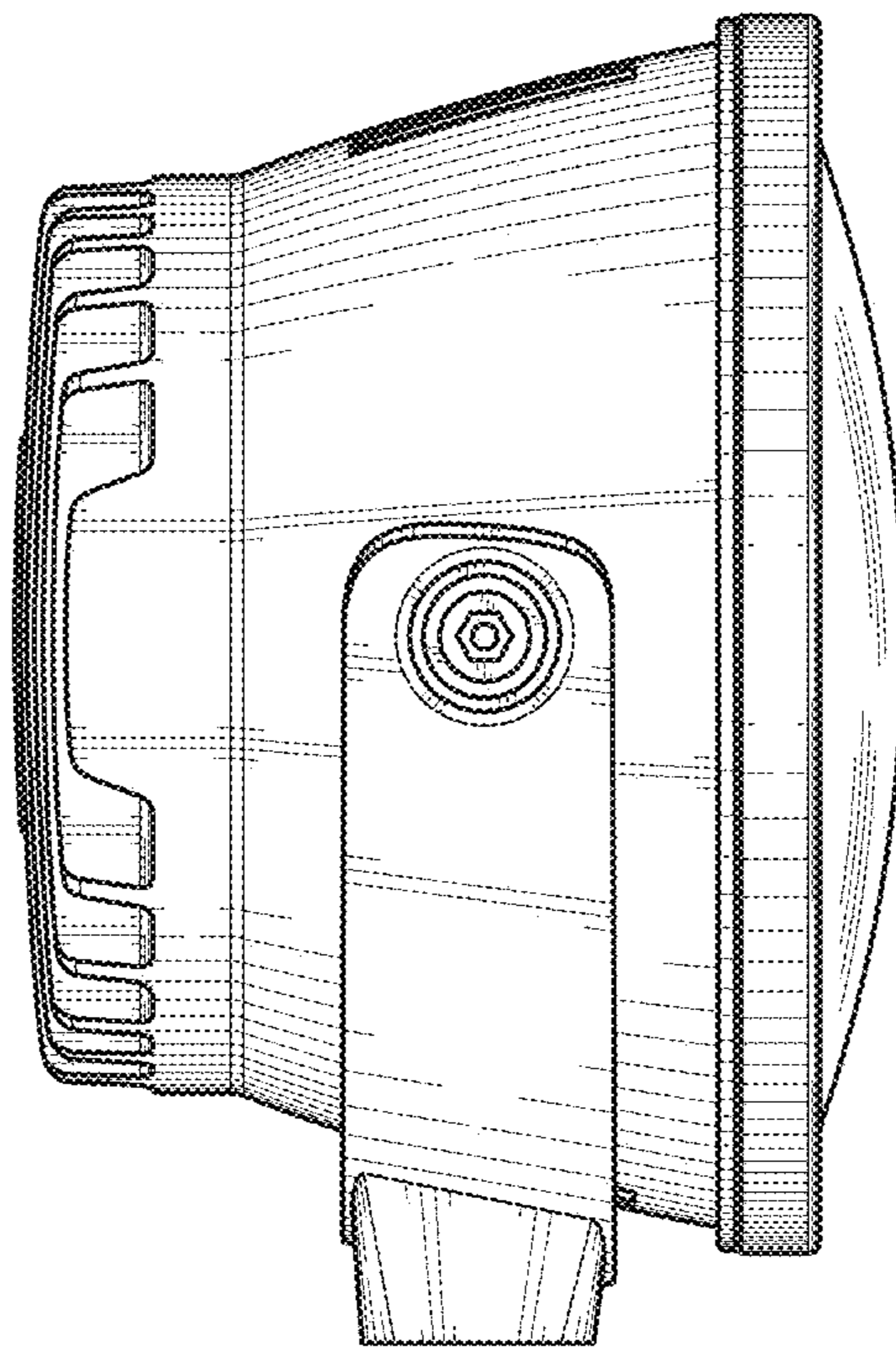


FIG. 4

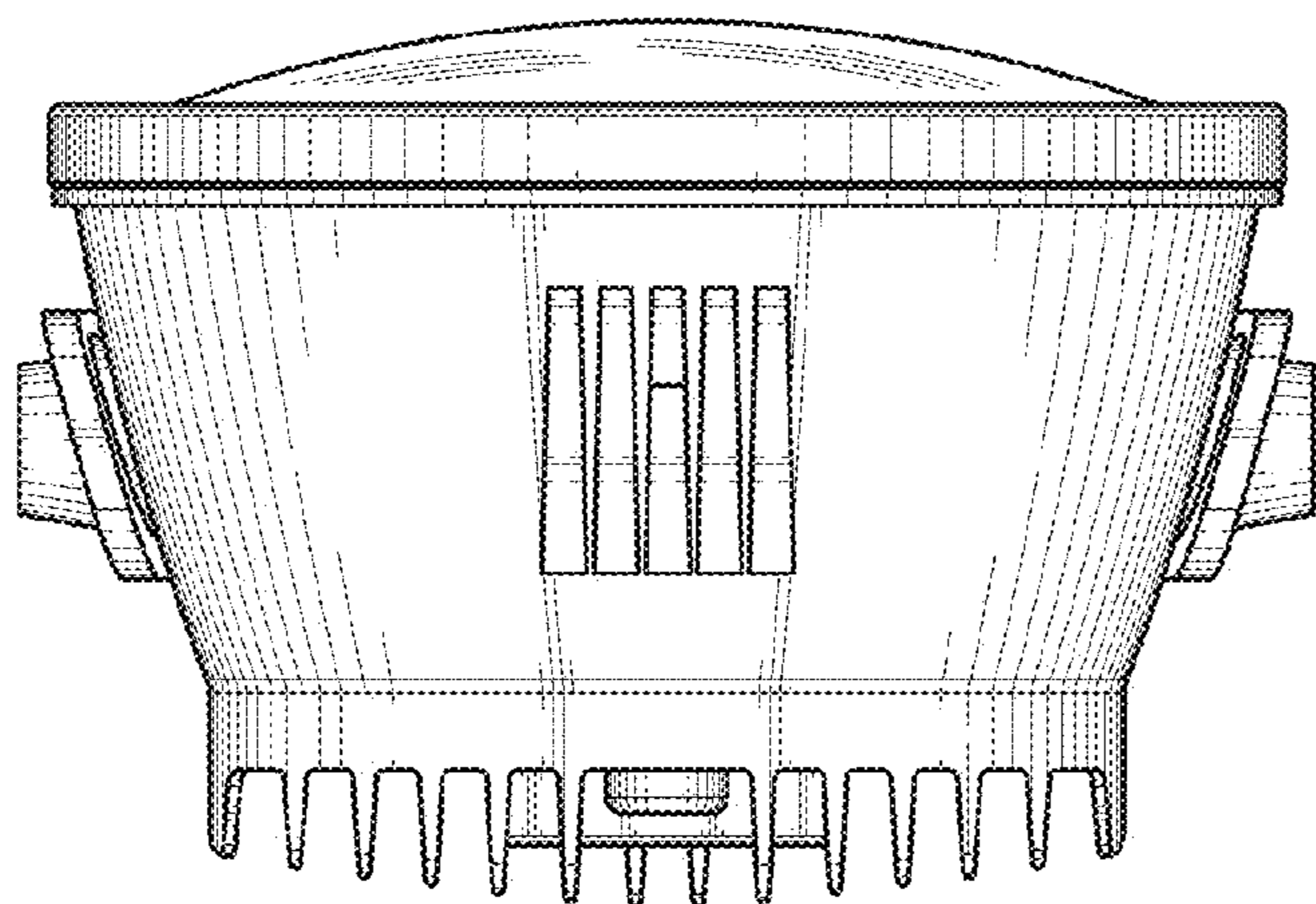


FIG. 5

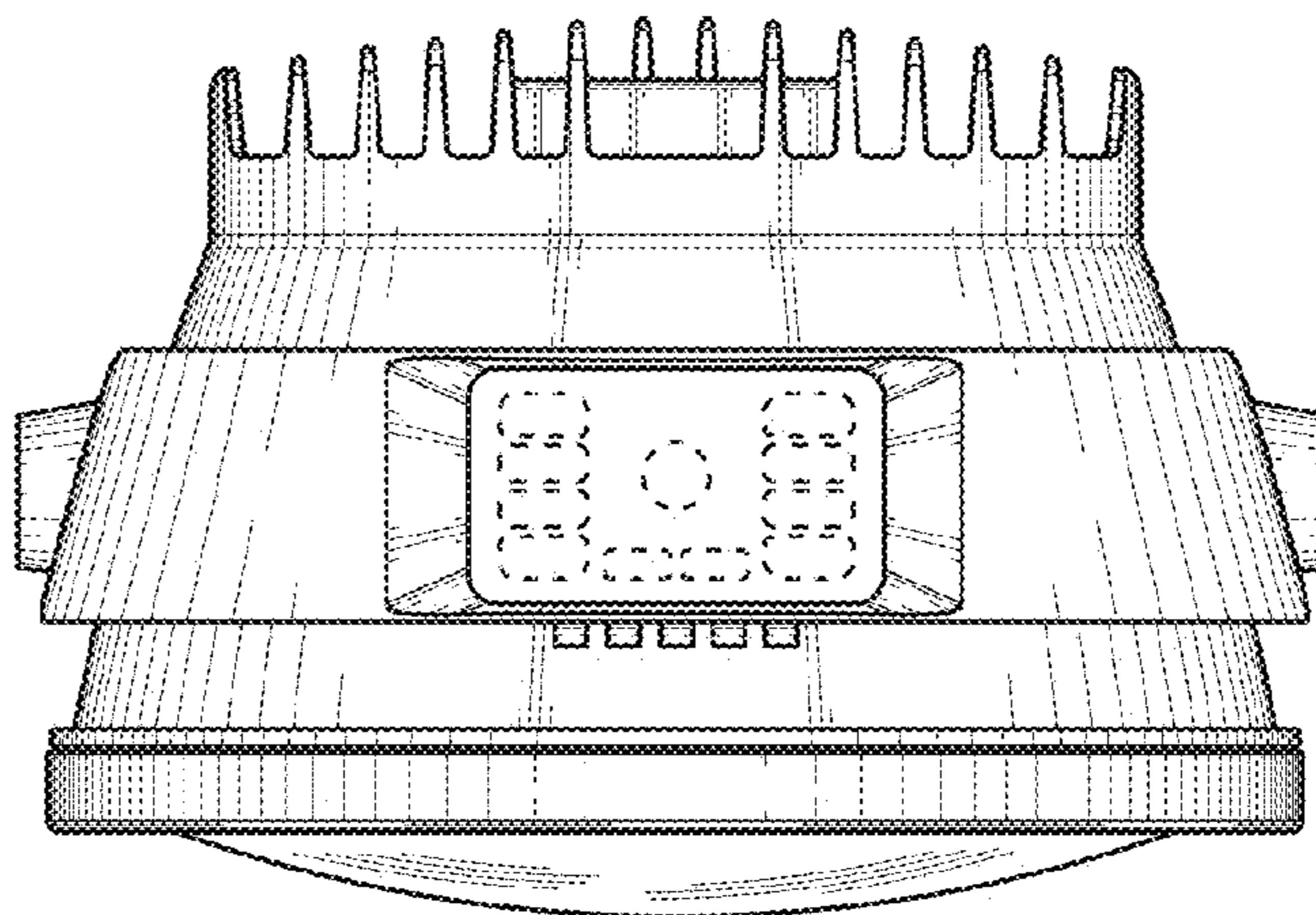


FIG. 6