



US00D737480S

(12) **United States Design Patent**
Park et al.

(10) **Patent No.:** **US D737,480 S**

(45) **Date of Patent:** **** Aug. 25, 2015**

(54) **REAR COMBINATION LAMP FOR AUTOMOBILES**

(71) Applicant: **Hyundai Motor Company**, Seoul (KR)

(72) Inventors: **Sung-Ho Park**, Gyeonggi-Do (KR);
Seung-Tack Hong, Seoul (KR)

(73) Assignee: **Hyundai Motor Company**, Seoul (KR)

(**) Term: **14 Years**

(21) Appl. No.: **29/463,586**

(22) Filed: **Jan. 9, 2014**

(30) **Foreign Application Priority Data**

Jul. 10, 2013 (KR) 30-2013-0035358

(51) **LOC (10) Cl.** **26-06**

(52) **U.S. Cl.**
USPC **D26/28**

(58) **Field of Classification Search**
USPC D26/28-36; 362/459-476, 485-487,
362/543-549

CPC F21S 48/2281; F21S 48/00; F21S 48/225;
F21S 48/2268; F21S 48/1233; F21S 48/1266;
F21S 48/1388; F21V 21/04

See application file for complete search history.

(56) **References Cited**

U.S. PATENT DOCUMENTS

D614,784 S * 4/2010 Lamm et al. D26/28
D630,352 S * 1/2011 Jeong et al. D26/28
D630,778 S * 1/2011 Park et al. D26/28
D635,698 S * 4/2011 Jeong et al. D26/28
D637,743 S * 5/2011 Cho et al. D26/28

D652,550 S * 1/2012 Cho et al. D26/28
D664,691 S * 7/2012 Kim et al. D26/28
D674,942 S * 1/2013 Frenzel et al. D26/28
D683,058 S * 5/2013 Cogswell D26/28
D701,983 S * 4/2014 Kong et al. D26/28
D705,969 S * 5/2014 Park et al. D26/28
D716,478 S * 10/2014 Loeb D26/28
D720,872 S * 1/2015 Lim et al. D26/28

* cited by examiner

Primary Examiner — Cynthia Ramirez

Assistant Examiner — Llorellys Martinez-Rivera

(74) *Attorney, Agent, or Firm* — Mintz Levin Cohn Ferris
Glovsky and Popeo, P.C.; Kongsik Kim

(57) **CLAIM**

The ornamental design for a rear combination lamp for automobiles, as shown and described.

DESCRIPTION

FIG. 1 is a perspective view of a rear combination lamp for automobiles according to the present invention.

FIG. 2 is a front view of the rear combination lamp for automobiles of FIG. 1.

FIG. 3 is a rear view of the rear combination lamp for automobiles of FIG. 1.

FIG. 4 is a left side view of the rear combination lamp for automobiles of FIG. 1.

FIG. 5 is a right side view of the rear combination lamp for automobiles of FIG. 1.

FIG. 6 is a top view of the rear combination lamp for automobiles of FIG. 1; and,

FIG. 7 is a bottom view of the rear combination lamp for automobiles of FIG. 1.

1 Claim, 7 Drawing Sheets

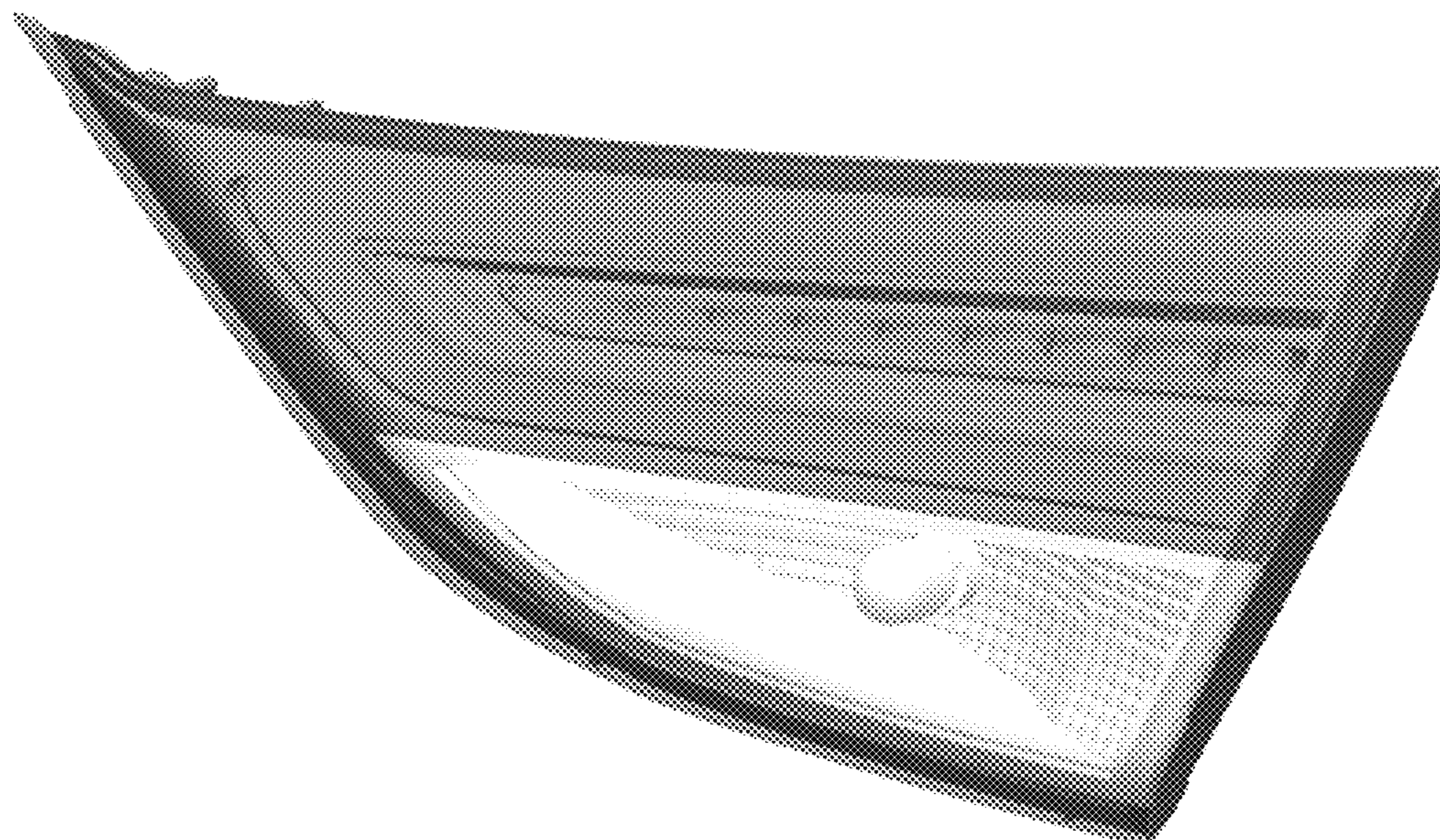


FIG. 1

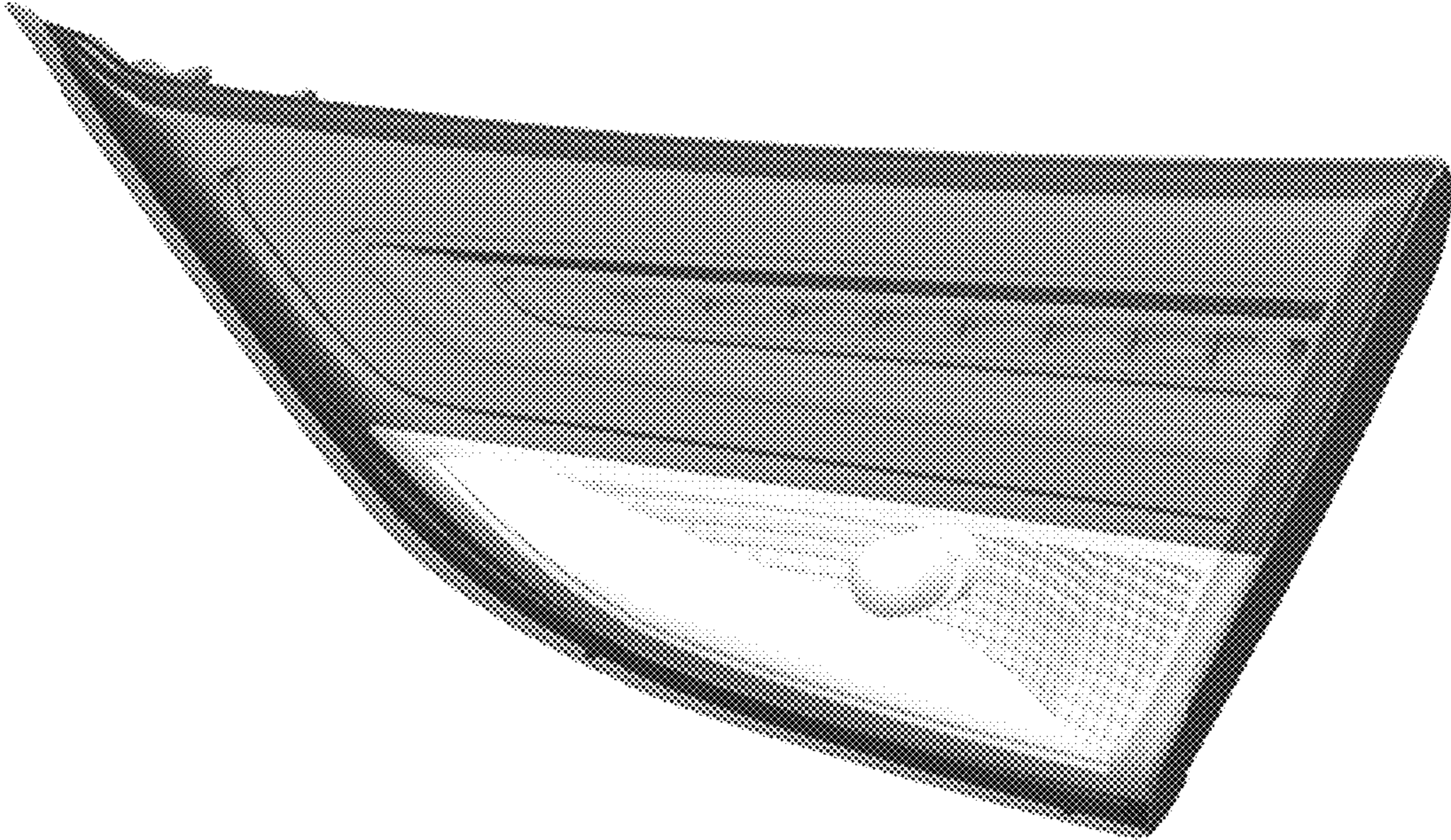


FIG. 2

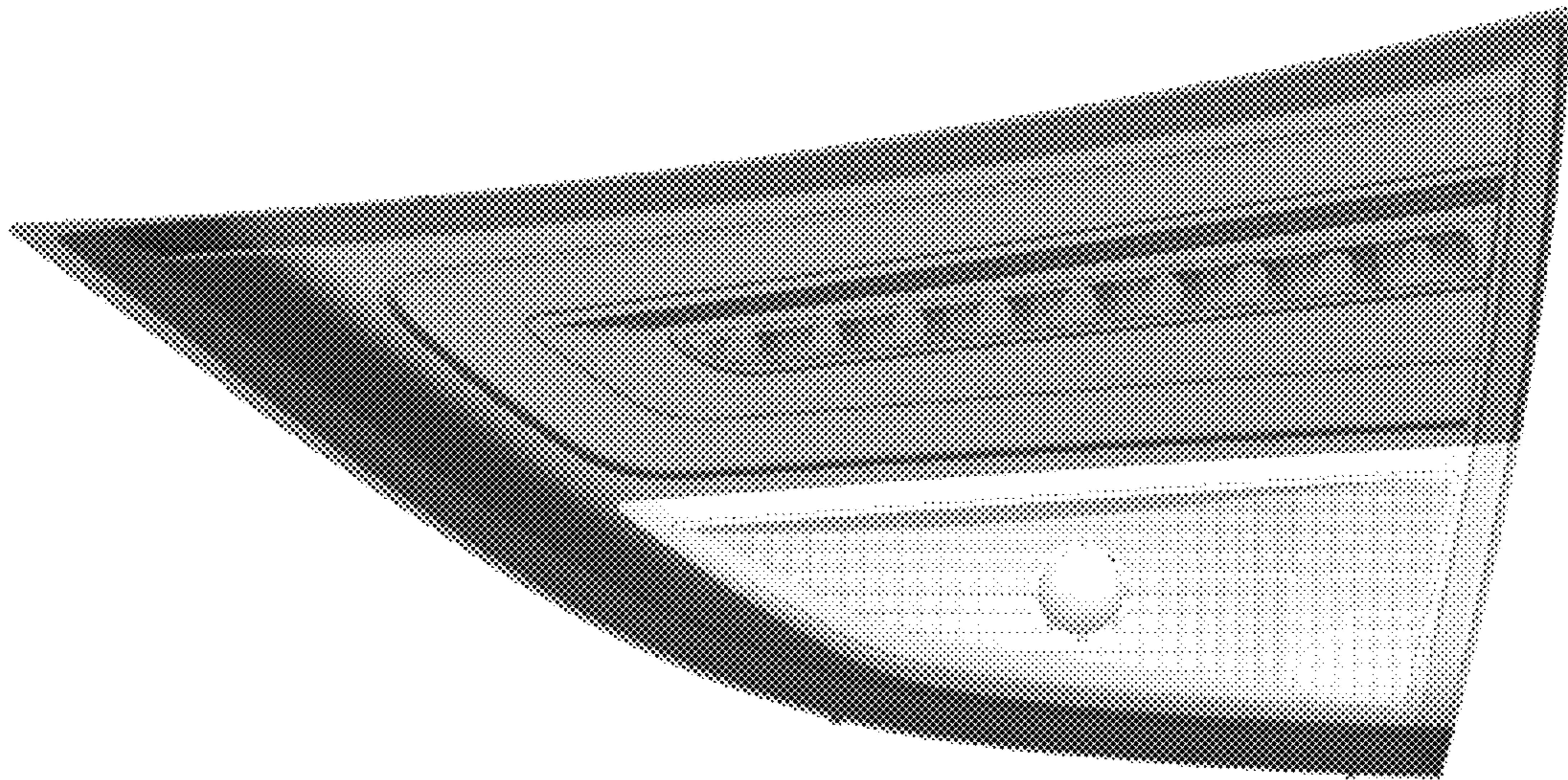


FIG. 3

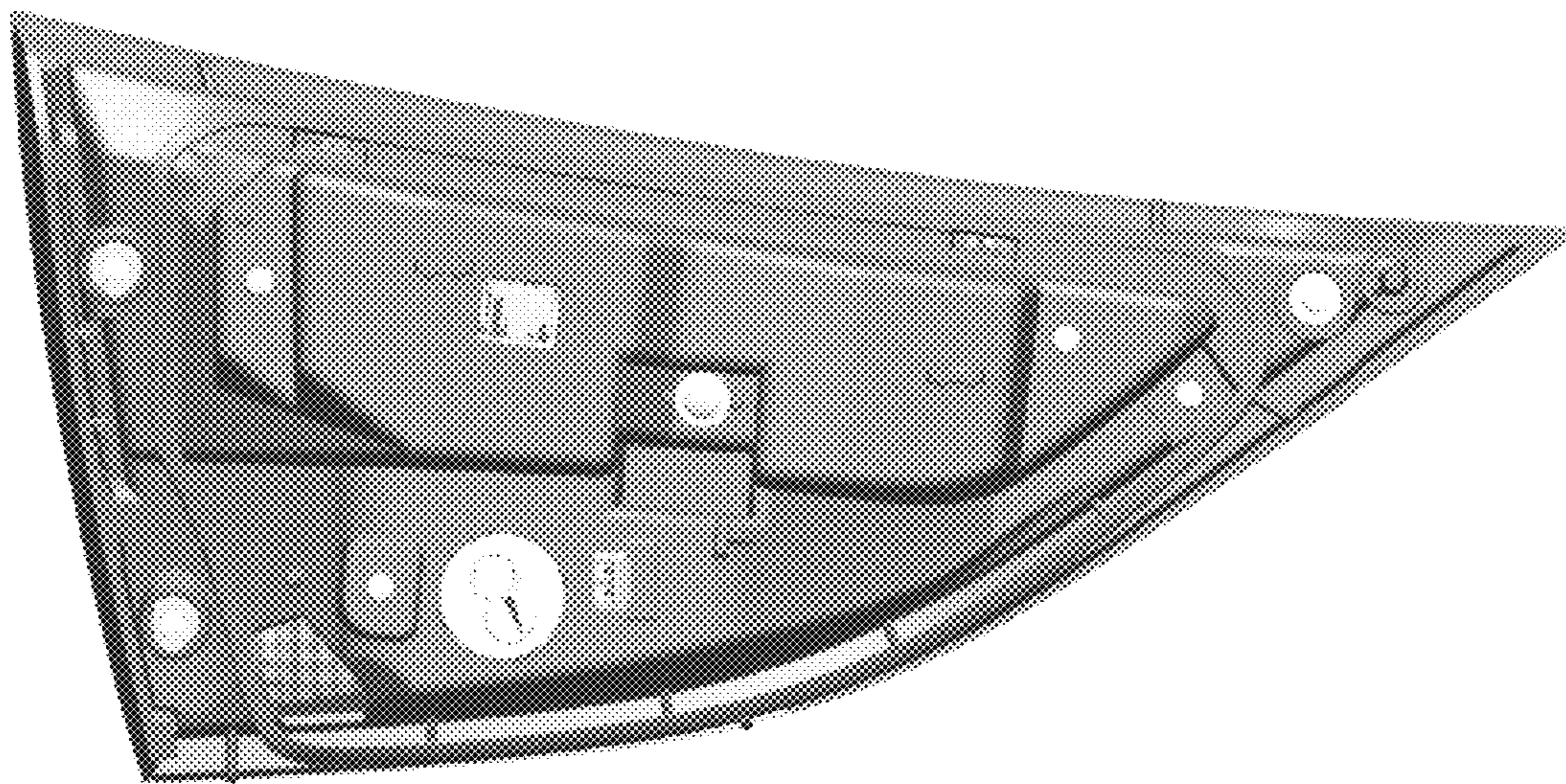


FIG. 4

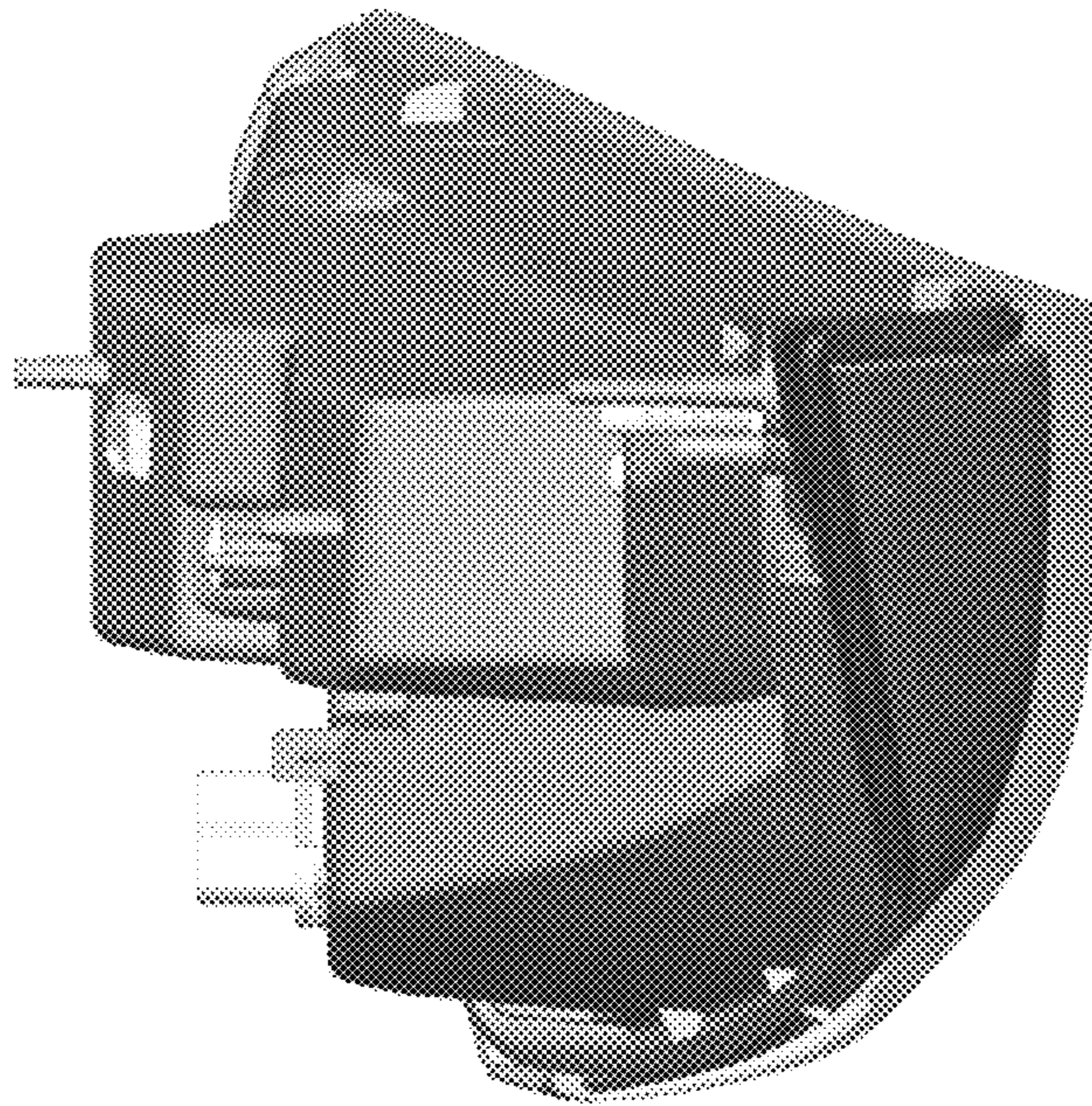


FIG. 5

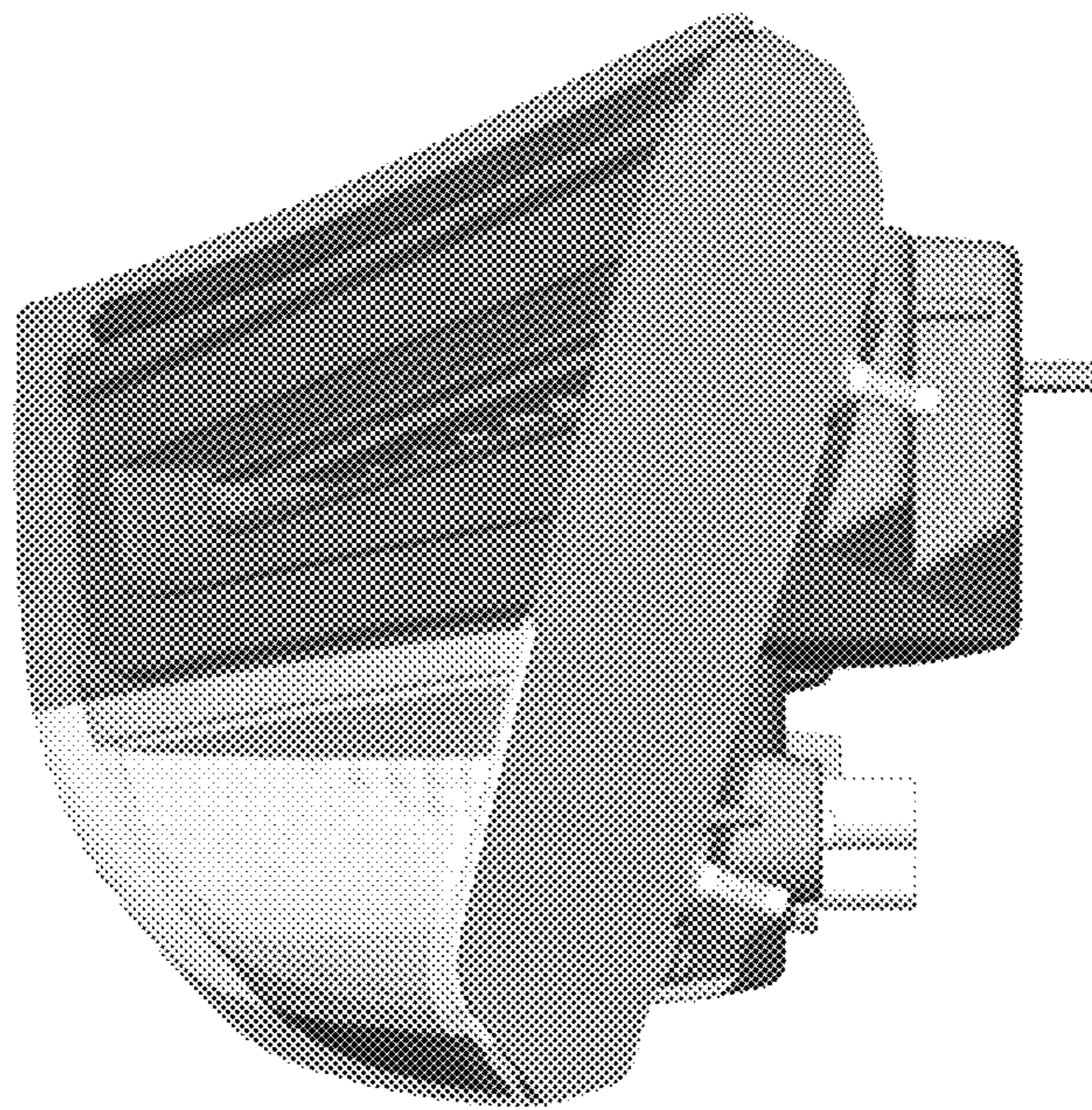


FIG. 6

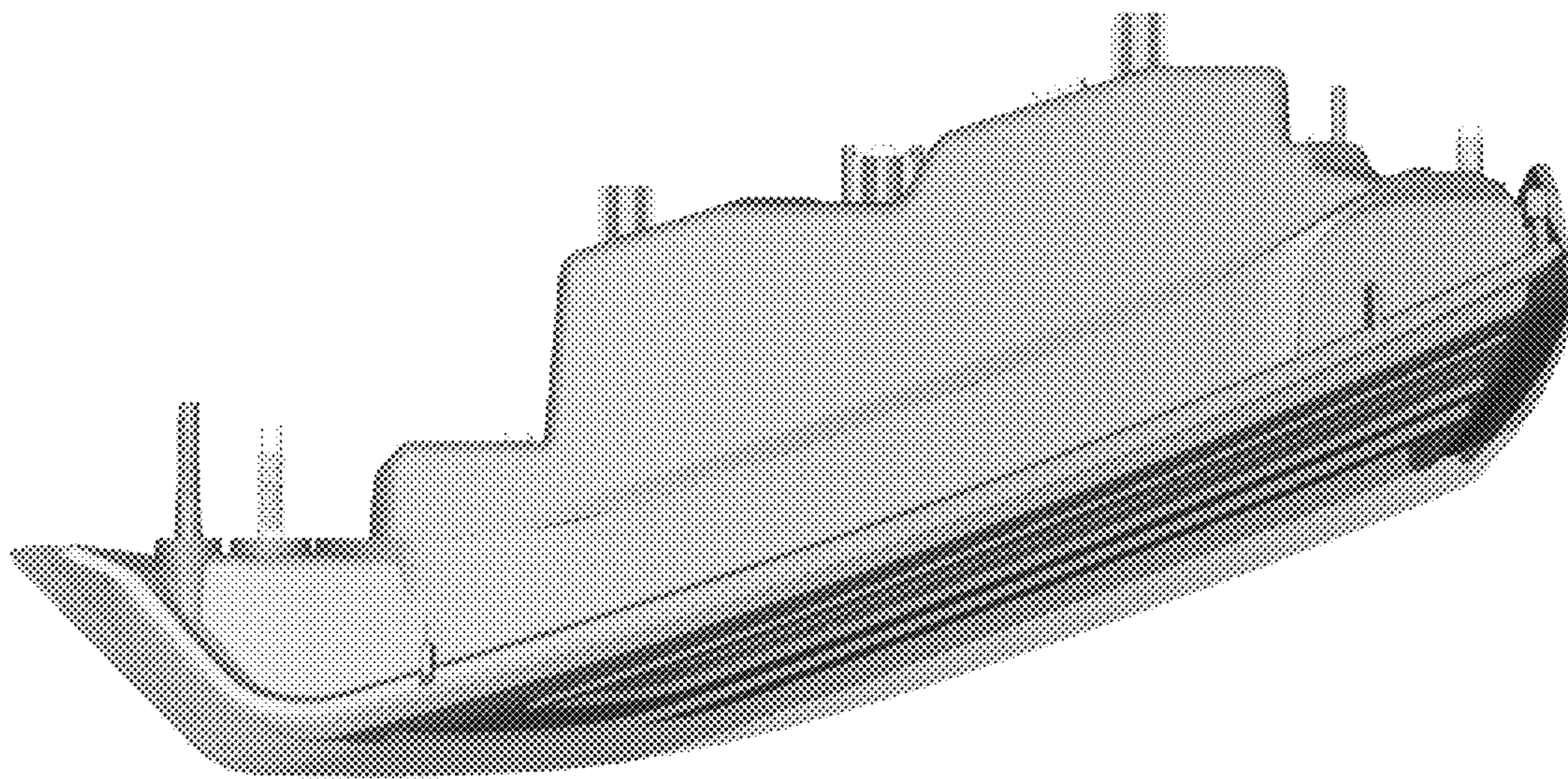


FIG. 7

