



US00D737477S

(12) **United States Design Patent**
Yang

(10) **Patent No.:** **US D737,477 S**

(45) **Date of Patent:** **** Aug. 25, 2015**

(54) **DONUT LED LIGHT BULB**

(71) Applicant: **Tai-Her Yang**, Dzan-Hwa (TW)

(72) Inventor: **Tai-Her Yang**, Dzan-Hwa (TW)

(**) Term: **14 Years**

(21) Appl. No.: **29/507,563**

(22) Filed: **Oct. 29, 2014**

(51) **LOC (10) Cl.** **26-04**

(52) **U.S. Cl.**
USPC **D26/2**

(58) **Field of Classification Search**
USPC D26/1-4; 313/313, 315, 316, 317, 318,
313/493, 501; 315/52, 53, 56, 57, 58, 77;
362/249.02, 362, 235
CPC F21K 9/135; F21K 9/1375; F21K 9/13
See application file for complete search history.

(56) **References Cited**

U.S. PATENT DOCUMENTS

8,915,617 B2 * 12/2014 Negandhi et al. 362/294
8,926,131 B2 * 1/2015 Johnston et al. 362/249.02
D722,185 S * 2/2015 Yang D26/2

8,956,017 B2 * 2/2015 Ioka et al. 362/362
D727,543 S * 4/2015 Yang D26/2
D727,544 S * 4/2015 Yang D26/2
9,016,897 B1 * 4/2015 Huang et al. 362/235
D729,429 S * 5/2015 Arndt et al. D26/85

* cited by examiner

Primary Examiner — Ian Simmons

Assistant Examiner — Harold Blackwell, II

(74) *Attorney, Agent, or Firm* — Bacon & Thomas, PLLC

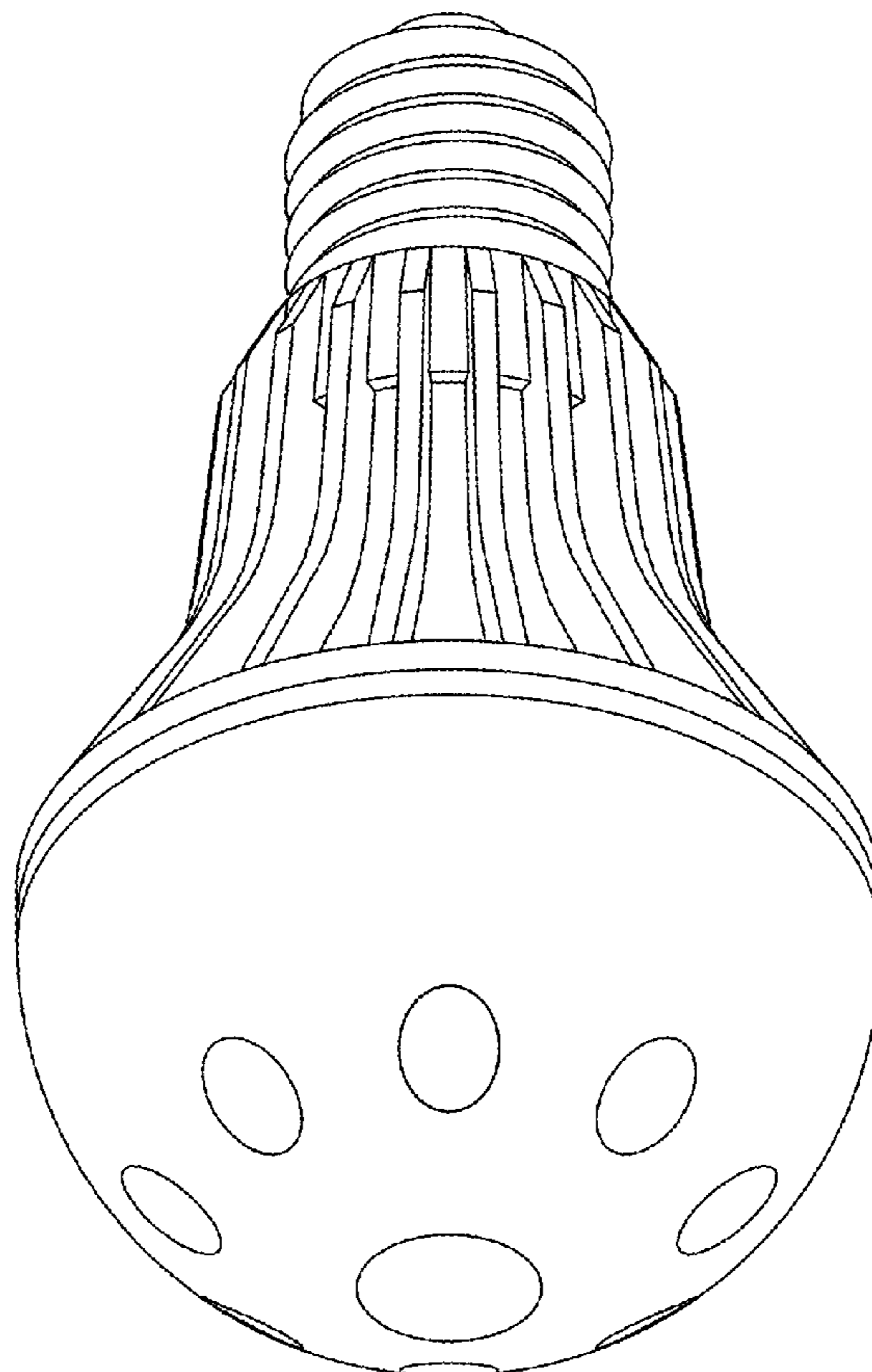
(57) **CLAIM**

The ornamental design for a donut LED light bulb, as shown and described.

DESCRIPTION

FIG. 1 is a perspective view of a donut LED light bulb showing my new design;
FIG. 2 is a front view thereof;
FIG. 3 is a rear view thereof;
FIG. 4 is a left side view thereof;
FIG. 5 is a right side view thereof;
FIG. 6 is a top plan view thereof; and,
FIG. 7 is a bottom plan view thereof.

1 Claim, 4 Drawing Sheets



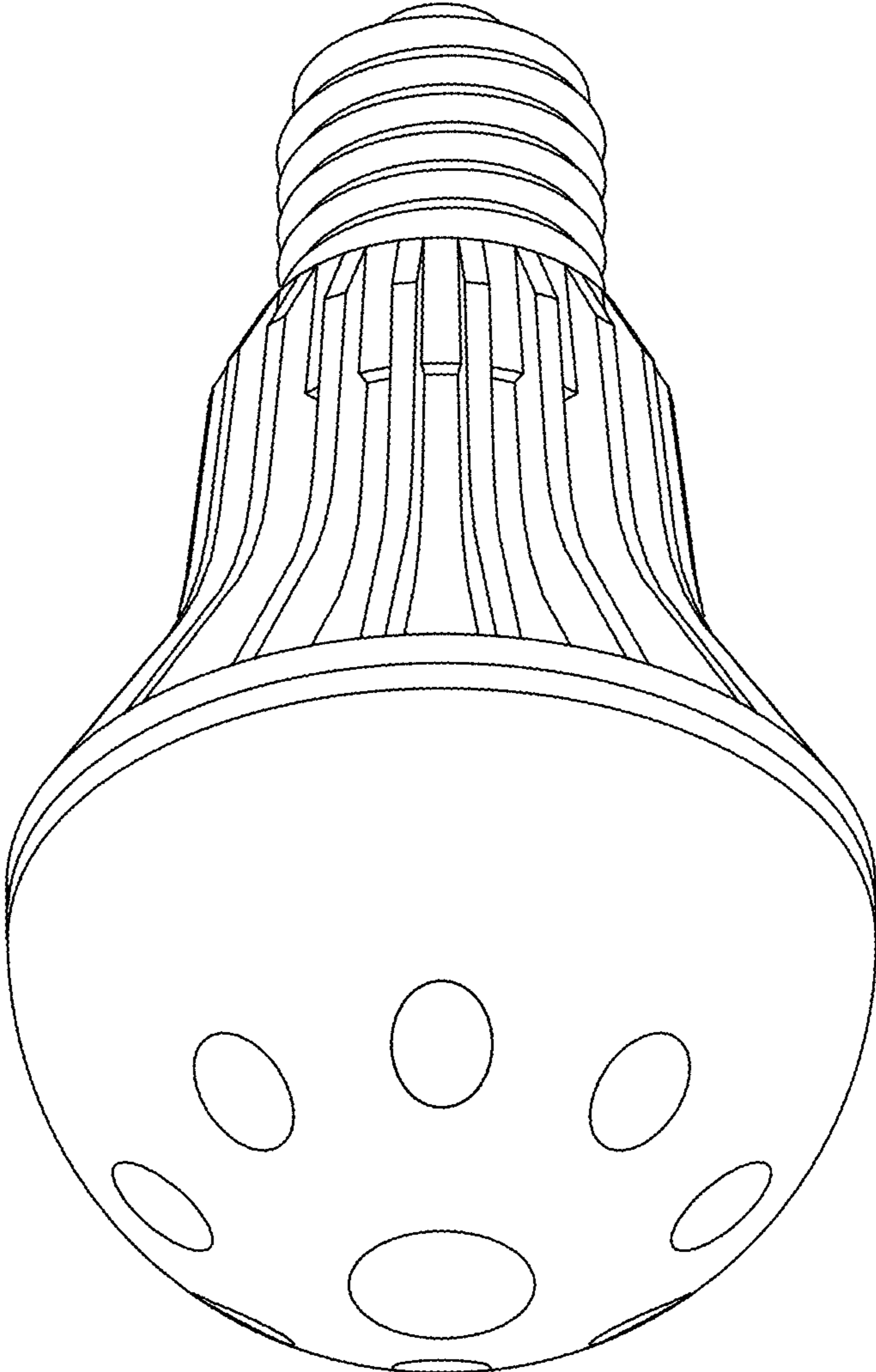


FIG. 1

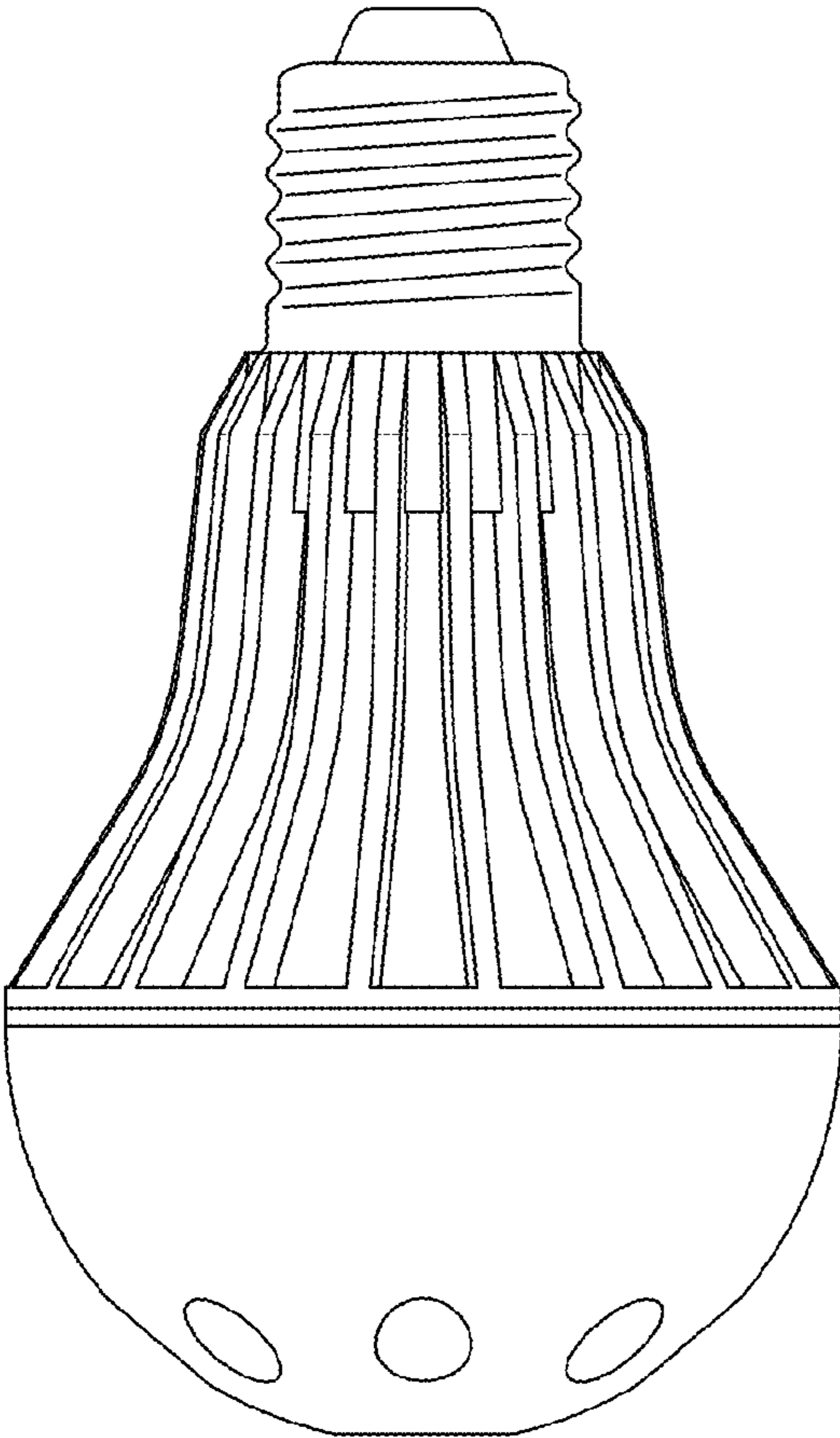


FIG. 2

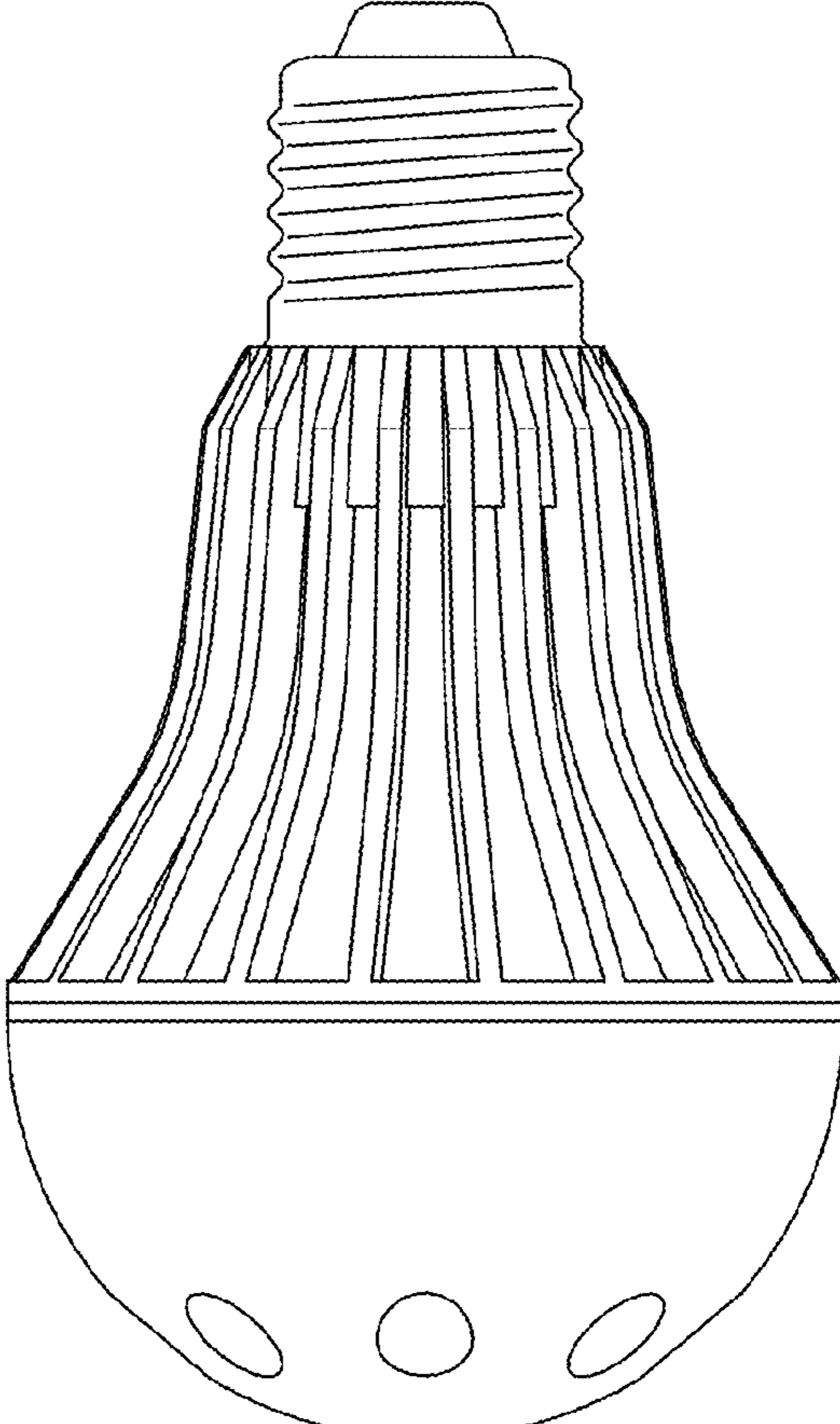


FIG. 3

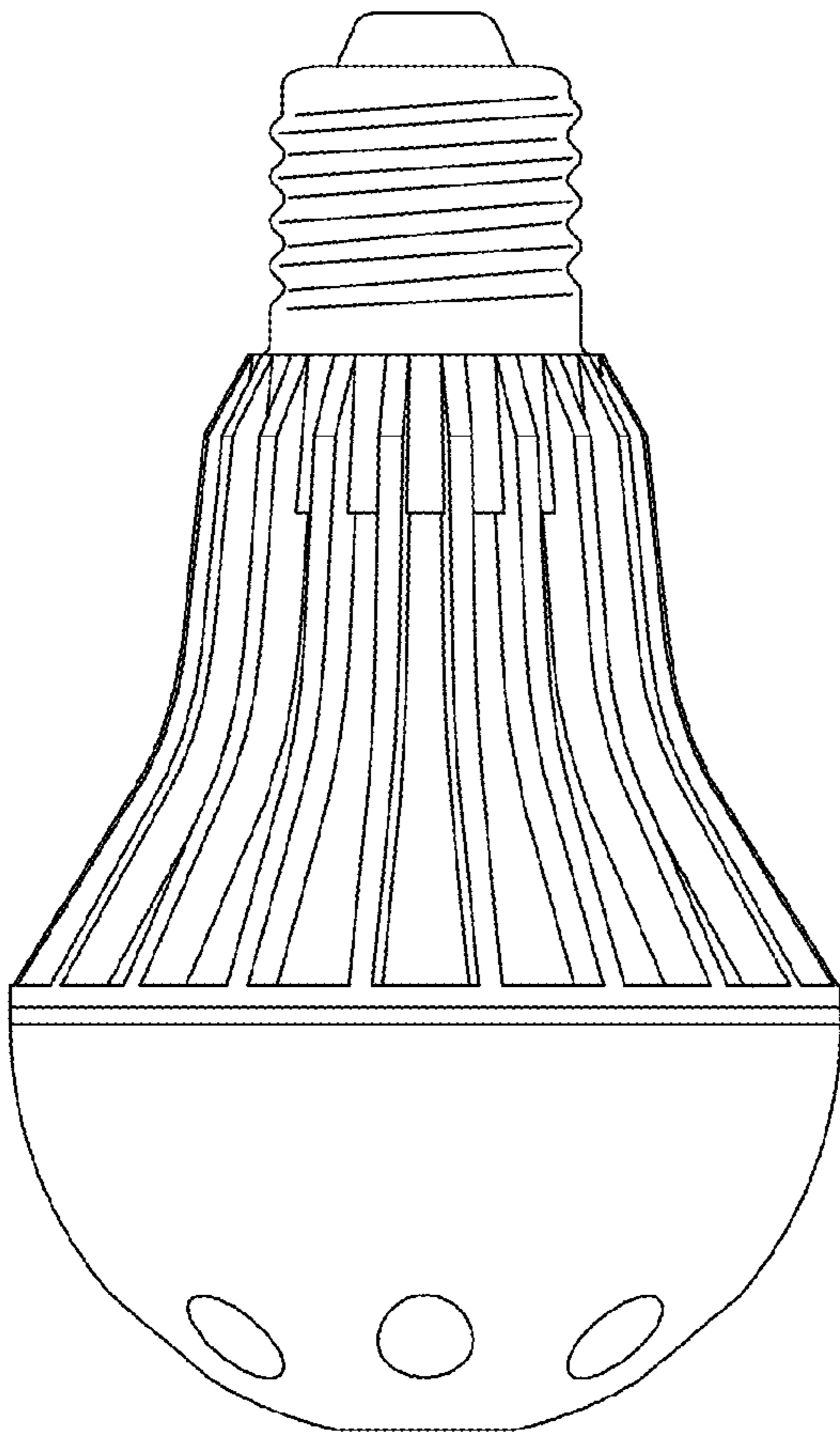


FIG. 4

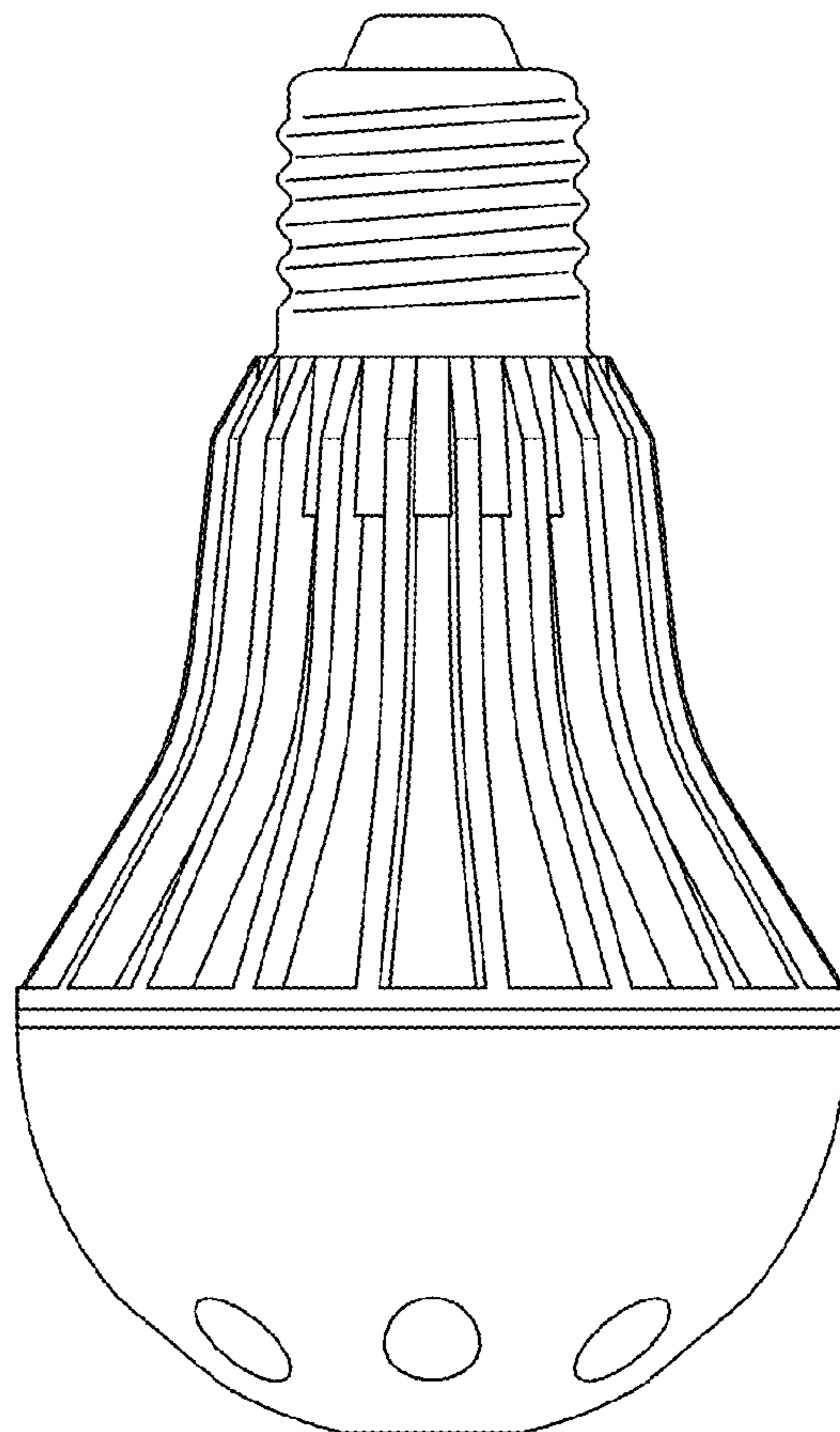


FIG. 5

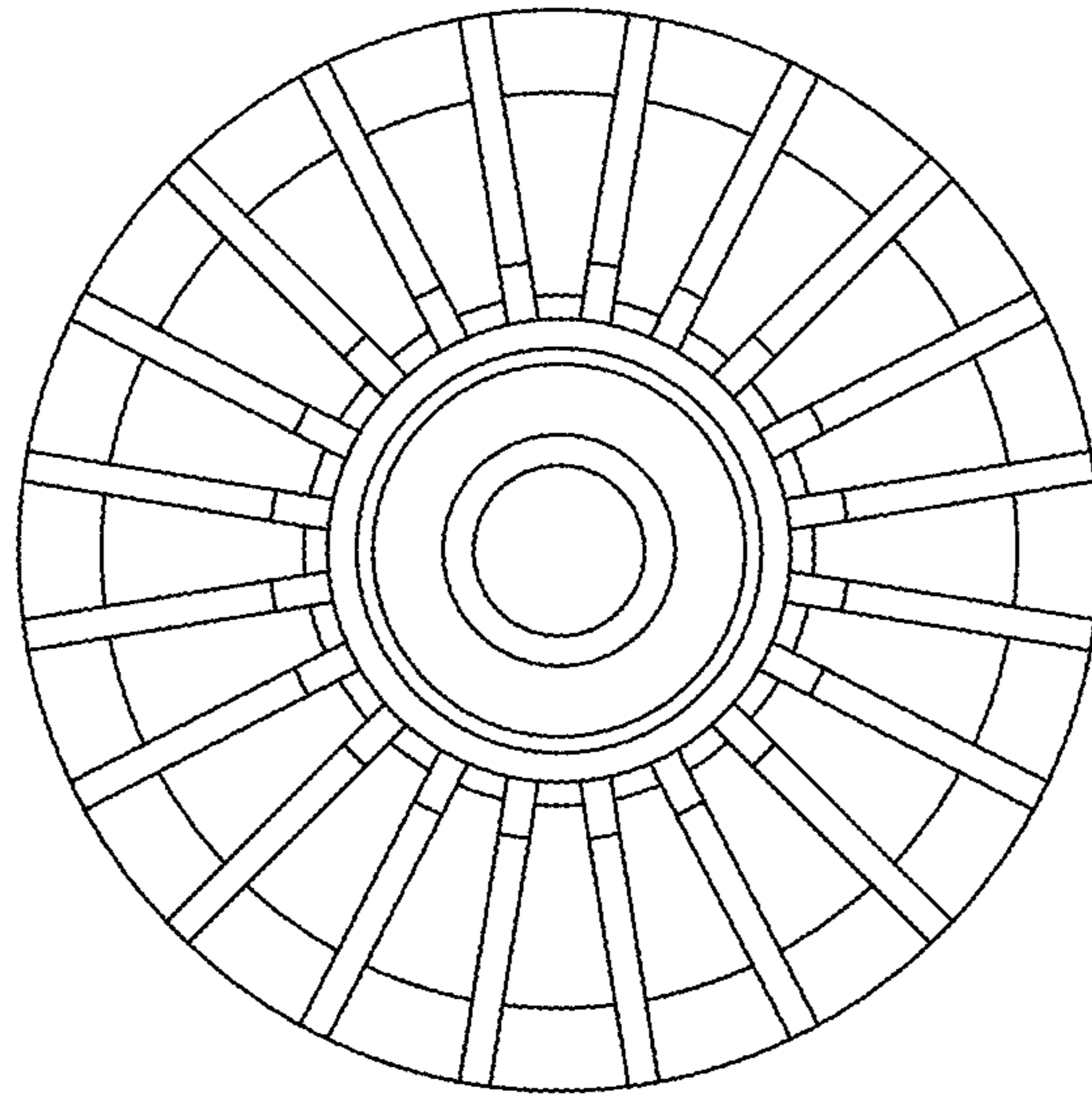


FIG. 6

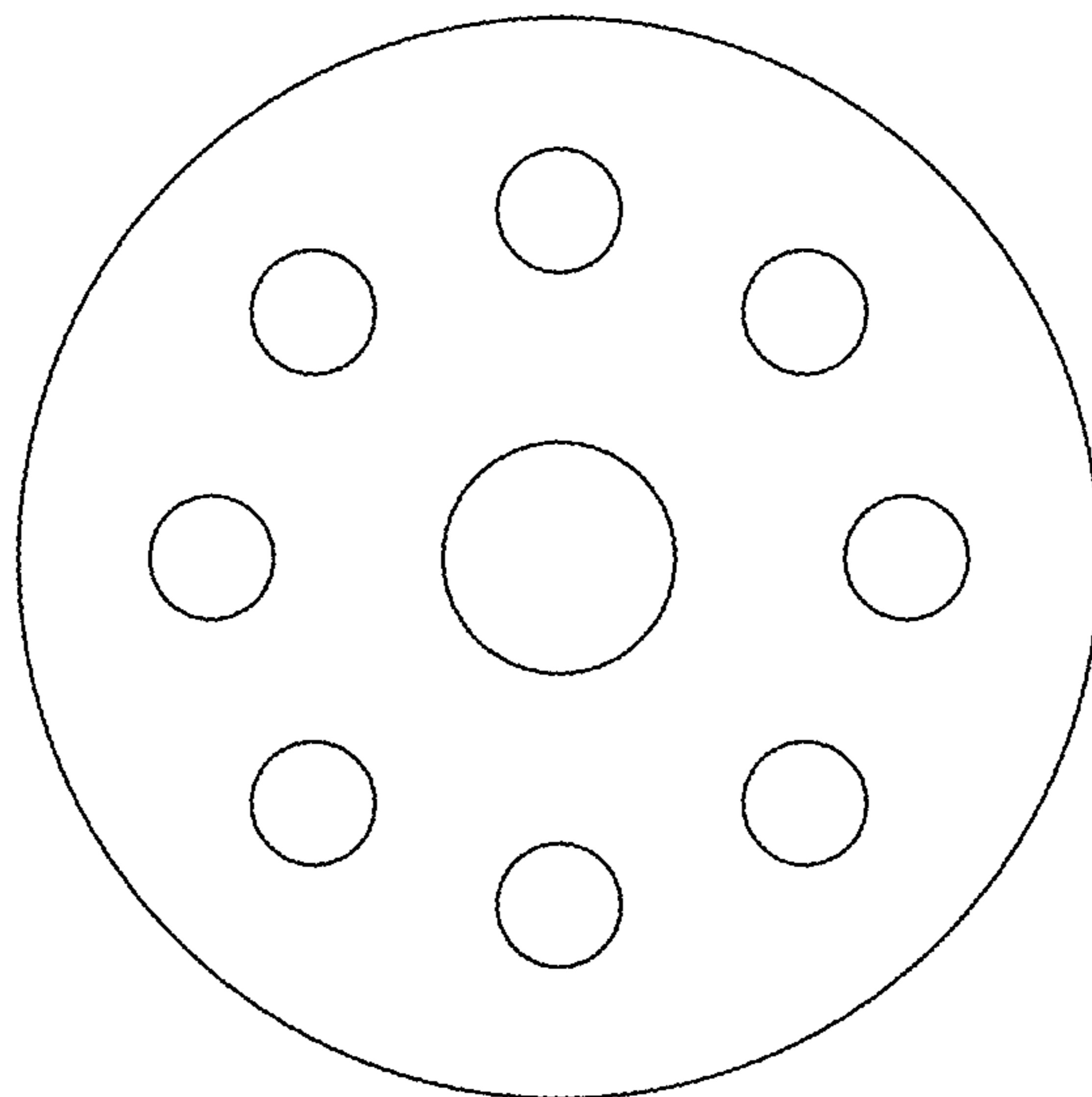


FIG. 7