

US00D737466S

(12) **United States Design Patent**  
**Strzala**

(10) **Patent No.:** **US D737,466 S**

(45) **Date of Patent:** **\*\* Aug. 25, 2015**

(54) **PAVER STONE**

(71) Applicant: **BORGERT PRODUCTS, INC.**, St. Joseph, MN (US)

(72) Inventor: **George Strzala**, Brooklyn Park, MN (US)

(73) Assignee: **Borgert Products, Inc.**, St. Joseph, MN (US)

(\*\*) Term: **14 Years**

(21) Appl. No.: **29/465,645**

(22) Filed: **Aug. 29, 2013**

(51) **LOC (10) Cl.** ..... **25-01**

(52) **U.S. Cl.**  
USPC ..... **D25/113**

(58) **Field of Classification Search**  
USPC ..... D25/113; 52/596, 609, 602; 404/99, 29, 404/34, 39, 41, 42  
CPC ..... E01C 5/06  
See application file for complete search history.

(56) **References Cited**

**U.S. PATENT DOCUMENTS**

2,340,526	A *	2/1944	Green	404/42
D317,207	S *	5/1991	Scheiwiller	D25/113
5,503,498	A *	4/1996	Scheiwiller	404/34
D378,857	S	4/1997	Hale	
D393,726	S	4/1998	Sweeney	
D396,901	S	8/1998	Von Langsdorff	
D397,802	S	9/1998	Terry	
D398,224	S	9/1998	Weder et al.	
D400,985	S	11/1998	Risi	
D401,139	S	11/1998	Weder et al.	
D404,297	S	1/1999	Weder et al.	
D404,298	S	1/1999	Weder et al.	
D407,305	S	3/1999	Weder et al.	

D411,315	S	6/1999	Bott
D414,281	S	9/1999	Sassenberg
D416,093	S	11/1999	Whitson
D421,806	S	3/2000	Graf et al.
D423,123	S	4/2000	Sassenberg
D424,212	S	5/2000	Abbracati
D424,714	S	5/2000	Hale
D426,897	S	6/2000	Abbracati

(Continued)

**FOREIGN PATENT DOCUMENTS**

CA 155347 11/2014

**OTHER PUBLICATIONS**

“Notice of Allowance,” for Design U.S. Appl. No. 29/465,643, mailed Mar. 4, 2015 (7 pages).

(Continued)

*Primary Examiner* — Doris Clark

(74) *Attorney, Agent, or Firm* — Pauly, DeVries, Smith & Deffner, L.L.C.

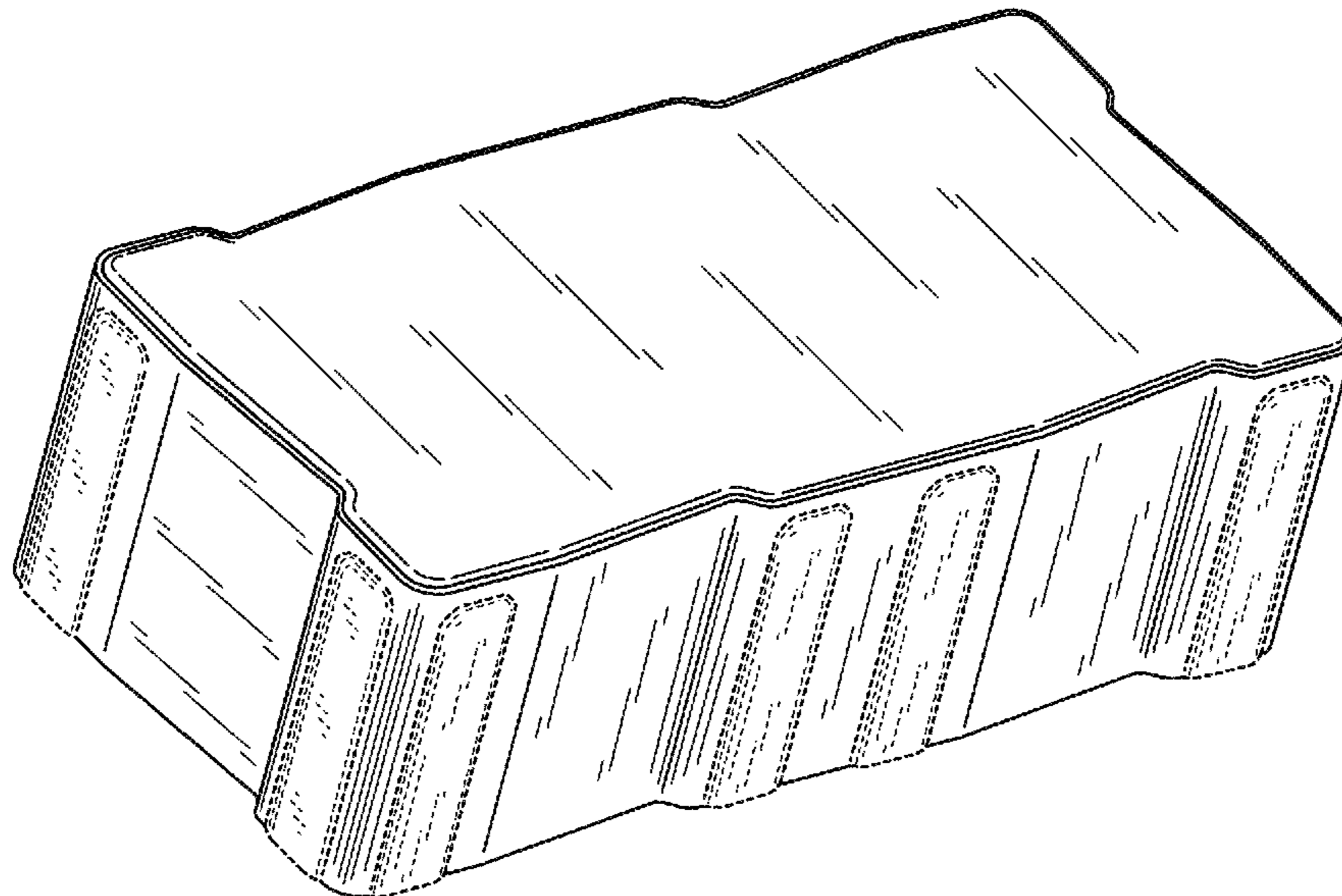
(57) **CLAIM**

I claim the ornamental design for a paver stone, as shown and described.

**DESCRIPTION**

FIG. 1 is a perspective view of the top side of a paver stone. FIG. 2 is a front elevation view of the paver stone, the back elevation view being the same as the front elevation view. FIG. 3 is a right side elevation view of the paver stone, the left side elevation view being the same as the right side elevation view. FIG. 4 is a top plan view of the paver stone; and, FIG. 5 is a bottom plan view of the paver stone. The broken lines are for illustrative purposes only and form no part of the claimed design.

**1 Claim, 3 Drawing Sheets**



(56)

References Cited

U.S. PATENT DOCUMENTS

D427,333 S	6/2000	Anderson et al.	D509,001 S	8/2005	Mclean
D429,343 S	8/2000	Milot	D509,596 S	9/2005	Cant
D429,344 S	8/2000	Deros	D509,909 S	9/2005	Sorheim
D429,530 S	8/2000	Fleishman	D510,443 S	10/2005	Von Langsdorff
D431,305 S	9/2000	Barth et al.	D511,011 S	10/2005	Crump
D431,657 S	10/2000	Wasserstrom	D511,578 S	11/2005	Mugge et al.
D433,072 S	10/2000	Frank	D511,845 S	11/2005	Anderson
D435,305 S	12/2000	Pullen et al.	D511,846 S	11/2005	Evans
D436,186 S	1/2001	Boone	D512,519 S	12/2005	Crump
D438,992 S	3/2001	Chrisco et al.	D515,710 S	2/2006	Anderson et al.
D439,153 S	3/2001	Davis	D515,711 S	2/2006	Anderson
D439,676 S	3/2001	Whitson	D516,228 S	2/2006	Dunbar
D439,677 S	3/2001	Mattox	D516,734 S	3/2006	Keys et al.
D441,464 S	5/2001	Pribyl	D516,735 S	3/2006	Kees et al.
D441,467 S	5/2001	Boone	D517,221 S	3/2006	Keys et al.
D441,881 S	5/2001	Hahn	D521,592 S *	5/2006	Von Langsdorff ..... D25/113
D442,704 S	5/2001	Lee	D521,654 S	5/2006	Anderson et al.
D443,074 S	5/2001	Azar	D522,667 S	6/2006	Castonguay et al.
D444,579 S	7/2001	Emalfarb	D526,066 S	8/2006	Schneider
D448,857 S	10/2001	Staten et al.	D533,284 S	12/2006	Bledsoe et al.
D448,859 S	10/2001	Donman	D536,058 S	1/2007	Riccobene
D449,697 S	10/2001	Falconer	D536,109 S	1/2007	Bailey, III et al.
D450,136 S	11/2001	Ogawa	D537,501 S	2/2007	Riccobene
D451,208 S	11/2001	Falconer	D537,959 S	3/2007	Castonguay et al.
D451,209 S	11/2001	Ogawa	D538,445 S	3/2007	Perotti
D451,523 S	12/2001	Bonko et al.	D538,946 S	3/2007	Mugge et al.
D452,015 S	12/2001	Aurelius	D539,923 S	4/2007	Urriola
D453,578 S	2/2002	Olson	D539,924 S	4/2007	Urriola
D454,649 S	3/2002	Emalfarb	D539,927 S	4/2007	Whitson
D457,656 S	5/2002	Bilka	D540,954 S	4/2007	Bouchard
D457,970 S	5/2002	Stepanchick	D541,435 S	4/2007	Wissman
D457,973 S	5/2002	Conde	D541,950 S	5/2007	Mugge et al.
D458,693 S	6/2002	Sievert	D541,952 S	5/2007	Keeley et al.
D459,006 S	6/2002	Staten et al.	D543,286 S	5/2007	Keeley et al.
D459,487 S	6/2002	Bott	D546,477 S	7/2007	Wu
D460,830 S	7/2002	Unger	D546,478 S	7/2007	Adam
D461,011 S	7/2002	Stepanchick	D546,972 S	7/2007	Price
D461,567 S	8/2002	Ogawa	D548,367 S	8/2007	Price
D462,130 S	8/2002	Kotler	D548,368 S	8/2007	Hale
D462,786 S	9/2002	Ogawa	D550,375 S	9/2007	Thomassen et al.
D463,866 S	10/2002	Jang	D553,260 S	10/2007	Castonguay et al.
D463,868 S	10/2002	Foster	D553,759 S	10/2007	Hamel
D465,722 S	11/2002	Shijyo	D555,809 S	11/2007	Urriola
D466,230 S	11/2002	Stepanchick	D556,918 S	12/2007	Woodring
D467,009 S	12/2002	Agee	D557,428 S	12/2007	Doman
D467,015 S	12/2002	O'brien	D557,830 S	12/2007	Lee
D469,190 S	1/2003	Bilka	D567,838 S	4/2008	Fuchs
D470,243 S	2/2003	Aurelius	D567,839 S	4/2008	Fuchs
D477,419 S	7/2003	Manthei	D571,023 S	6/2008	Urriola
D479,341 S	9/2003	Scullion et al.	D571,024 S	6/2008	Lee
D479,611 S	9/2003	Ogawa et al.	D573,767 S	7/2008	Milton, Jr. et al.
D480,818 S	10/2003	Ogawa et al.	D574,087 S	7/2008	Bouchard
D480,819 S	10/2003	Barbier	D574,514 S	8/2008	Bouchard
D482,801 S	11/2003	Dice et al.	D574,515 S	8/2008	Bouchard
D485,371 S	1/2004	Burgess et al.	D574,516 S	8/2008	Bouchard
D486,246 S	2/2004	Manthei	D577,130 S	9/2008	Hamel
D487,932 S	3/2004	Crooks	D578,142 S	10/2008	Ewringmann
D488,241 S	4/2004	Scanni et al.	D578,224 S	10/2008	Lacas
D488,242 S	4/2004	Macdonald	D578,658 S	10/2008	Keys
D488,566 S	4/2004	Fleishman	D578,659 S	10/2008	Keys
D488,568 S	4/2004	Macdonald	D578,660 S	10/2008	Keys
D488,569 S	4/2004	Dawson	D579,122 S	10/2008	Mcintosh
D490,542 S	5/2004	Macdonald	D579,576 S	10/2008	Lacas
D491,675 S	6/2004	Ogawa et al.	D581,448 S	11/2008	Fuchs
D499,819 S	12/2004	Glatz	D581,548 S	11/2008	Mugge et al.
6,863,469 B2 *	3/2005	Bolduc et al. .... 404/41	D581,549 S	11/2008	Thorkelson
D504,741 S	5/2005	Ferrari	D581,550 S	11/2008	Brandt et al.
D504,957 S	5/2005	Dice et al.	D582,056 S	12/2008	Plies
D505,732 S	5/2005	Anderson et al.	D582,057 S	12/2008	Plies
D505,733 S	5/2005	Castonguay et al.	D584,424 S	1/2009	Schneider
D506,012 S	6/2005	Crump	D586,005 S	2/2009	Schumaker et al.
D506,013 S	6/2005	Anderson et al.	D586,926 S	2/2009	Orton
D506,556 S	6/2005	Giusti	D587,381 S	2/2009	McIntosh
D507,663 S	7/2005	Terarutyunyan	D589,167 S	3/2009	Manthei et al.
D507,664 S	7/2005	Anderson	D589,631 S	3/2009	Manthei et al.
			D590,072 S	4/2009	Castonguay
			D593,220 S	5/2009	Reed
			D593,221 S	5/2009	Laca
			D593,593 S	6/2009	Fuchs



(56)

References Cited

U.S. PATENT DOCUMENTS

D594,910 S 6/2009 Bloomer  
 D595,429 S 6/2009 Orton  
 D598,137 S 8/2009 Mugge et al.  
 D598,572 S 8/2009 Stephansky  
 D599,472 S 9/2009 Klausning et al.  
 D599,825 S 9/2009 Schneider  
 D599,912 S 9/2009 Kimura et al.  
 D599,918 S 9/2009 Knutson  
 D601,240 S 9/2009 Klausning et al.  
 D601,268 S 9/2009 Hanna  
 D602,171 S 10/2009 Rodebaugh et al.  
 D602,172 S 10/2009 Gratner  
 D602,173 S 10/2009 Thomassen  
 D603,061 S 10/2009 Harris  
 D603,062 S 10/2009 Harris  
 D603,975 S 11/2009 Thomassen  
 D606,210 S 12/2009 Thomassen  
 D609,369 S 2/2010 Buch  
 D609,956 S 2/2010 Lukasik  
 D613,430 S 4/2010 Perotti  
 D613,880 S 4/2010 Mugge et al.  
 D614,778 S 4/2010 Yang  
 D615,673 S 5/2010 Flynn  
 D617,012 S 6/2010 Flynn  
 D618,364 S 6/2010 Schrom et al.  
 D618,823 S 6/2010 Lallas  
 D619,732 S 7/2010 Mugge et al.  
 D619,733 S 7/2010 Mugge et al.  
 D619,734 S 7/2010 Mugge et al.  
 D619,738 S 7/2010 Mannhart  
 D620,133 S 7/2010 Mugge et al.  
 D620,151 S 7/2010 Perkins et al.  
 D620,616 S 7/2010 Ciccarello  
 D621,528 S 8/2010 Sefa  
 D622,872 S 8/2010 Ciccarello  
 D624,202 S 9/2010 Thomassen et al.  
 D624,203 S 9/2010 Thomassen et al.  
 D624,204 S 9/2010 Bott  
 D624,213 S 9/2010 Perotti  
 D624,322 S 9/2010 Schroer  
 D625,027 S 10/2010 Bott  
 D625,028 S 10/2010 Bott  
 D625,841 S 10/2010 Mugge et al.  
 D626,662 S 11/2010 Bott  
 D627,457 S 11/2010 Klausning et al.  
 D627,553 S 11/2010 Elder  
 D627,555 S 11/2010 Elder  
 D627,961 S 11/2010 Elder  
 D631,176 S 1/2011 Simpson  
 D631,563 S 1/2011 Simpson et al.  
 D631,564 S 1/2011 Simpson et al.  
 D631,984 S 2/2011 Mugge et al.  
 D632,308 S 2/2011 Kopacz et al.  
 D632,805 S 2/2011 Bott  
 D632,810 S 2/2011 Mugge et al.  
 D633,219 S 2/2011 Lai  
 D635,158 S 3/2011 Berning et al.  
 D636,897 S 4/2011 Bott  
 D638,860 S 5/2011 Kopacz et al.  
 D639,456 S 6/2011 Mugge et al.  
 D639,982 S 6/2011 Dean  
 D640,800 S 6/2011 Thomassen

D643,544 S 8/2011 Thomassen  
 D643,858 S 8/2011 Kopacz et al.  
 D643,860 S 8/2011 Busley  
 D643,939 S 8/2011 Mugge et al.  
 D643,941 S 8/2011 Mugge et al.  
 D643,943 S 8/2011 Mugge et al.  
 D645,169 S 9/2011 Runkles  
 D645,573 S 9/2011 Dallaire et al.  
 D645,574 S 9/2011 Thomassen  
 D645,980 S 9/2011 Schrom  
 D646,400 S 10/2011 Harris  
 D646,401 S 10/2011 Harris  
 D646,403 S 10/2011 Macdonald  
 D646,492 S 10/2011 Schroer  
 D646,798 S 10/2011 Mackenny  
 D647,632 S 10/2011 Macdonald  
 D650,190 S 12/2011 Mitjans  
 D650,396 S 12/2011 Ewringmann  
 D650,917 S 12/2011 Mugge et al.  
 D652,432 S 1/2012 Kopacz et al.  
 D652,952 S 1/2012 Angel  
 D653,355 S 1/2012 Mugge et al.  
 D653,356 S 1/2012 Macdonald  
 D656,242 S 3/2012 Macdonald et al.  
 D656,243 S 3/2012 Macdonald et al.  
 D656,244 S 3/2012 Macdonald et al.  
 D656,624 S 3/2012 Harris  
 D656,625 S 3/2012 Macdonald et al.  
 D656,626 S 3/2012 Macdonald et al.  
 D657,890 S 4/2012 Riccobene  
 D660,460 S 5/2012 Dixon et al.  
 D660,464 S 5/2012 Dixon et al.  
 D660,465 S 5/2012 Dixon et al.  
 D660,876 S 5/2012 Erwingmann  
 D660,982 S 5/2012 Thomassen  
 D660,983 S 5/2012 Thomassen  
 D661,407 S 6/2012 Riccobene  
 D661,408 S 6/2012 Riccobene  
 D661,409 S 6/2012 Riccobene  
 D662,608 S 6/2012 Mugge et al.  
 D662,609 S 6/2012 Mugge et al.  
 D663,861 S 7/2012 Thomassen  
 D664,677 S 7/2012 Riccobene  
 D672,790 S 12/2012 Kopacz et al.  
 D673,981 S 1/2013 Kopacz et al.  
 D674,115 S 1/2013 Merriam  
 D674,116 S 1/2013 Thomassen  
 D679,415 S 4/2013 Mowbray  
 2004/0161298 A1\* 8/2004 Lazar ..... 404/34

OTHER PUBLICATIONS

“Proprietary Paver Shapes—1,” Advanced Pavement Technology, 2007 (2 pages) 2007.  
 “Proprietary Paver Shapes—2,” Advanced Pavement Technology, 2012 (2 pages) 2012.  
 “Proprietary Paver Shapes—3,” Advanced Pavement Technology, 2007 (2 pages) 2007.  
 “Proprietary Paver Shapes—4,” Advanced Pavement Technology, 2007 (2 pages) 2007.  
 “Proprietary Paver Shapes—5,” Advanced Pavement Technology, 2012 (2 pages) 2012.  
 “Proprietary Paver Shapes—6,” Advanced Pavement Technology, 2007 (2 pages) 2007.

\* cited by examiner

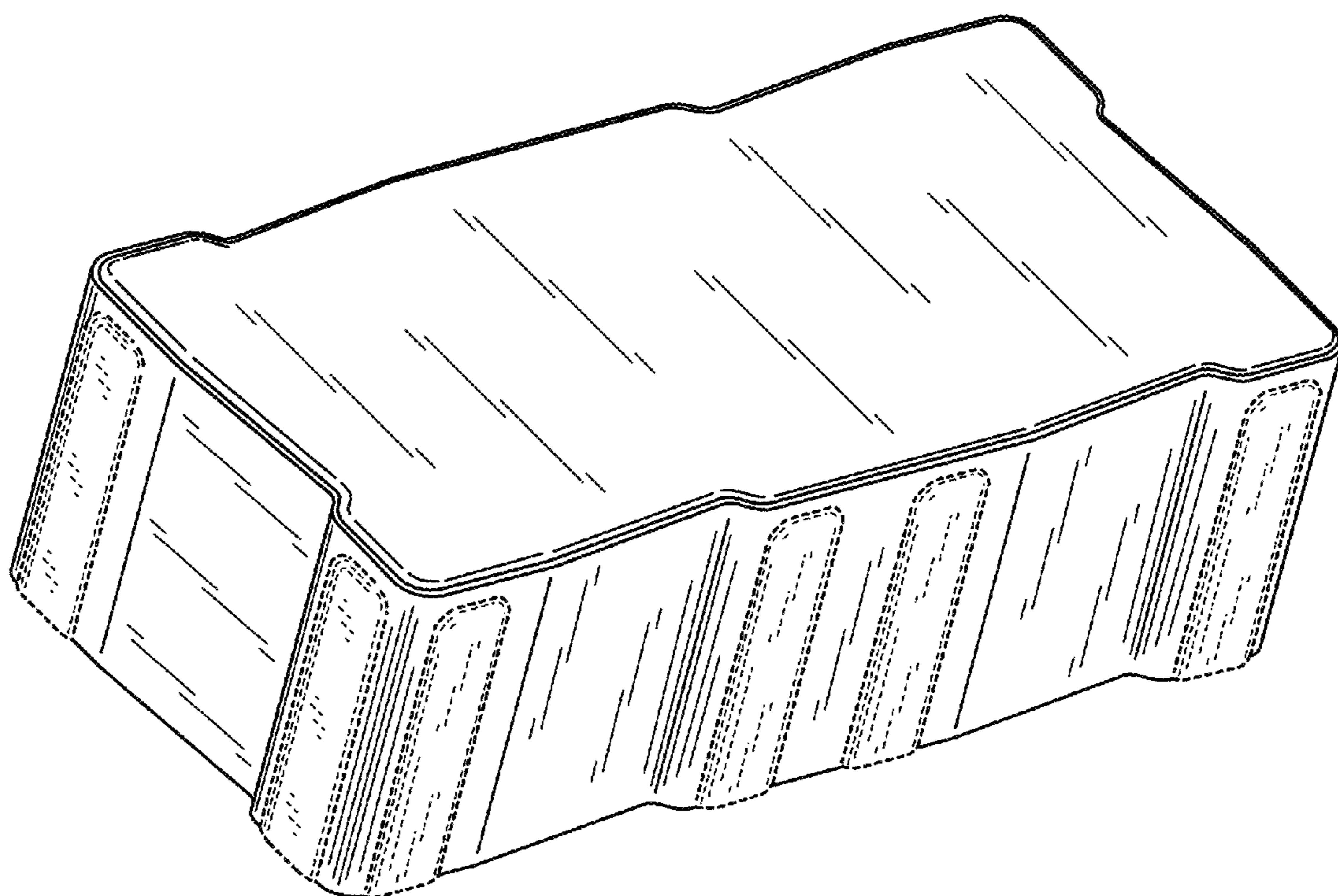


FIG. 1

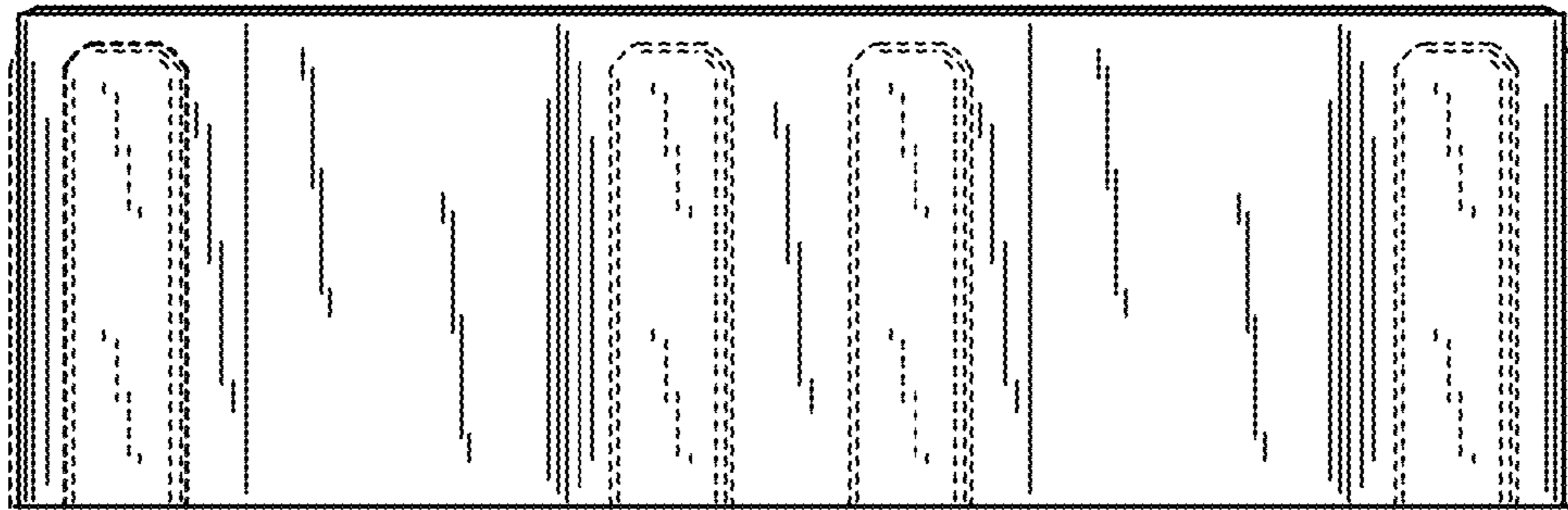


FIG. 2

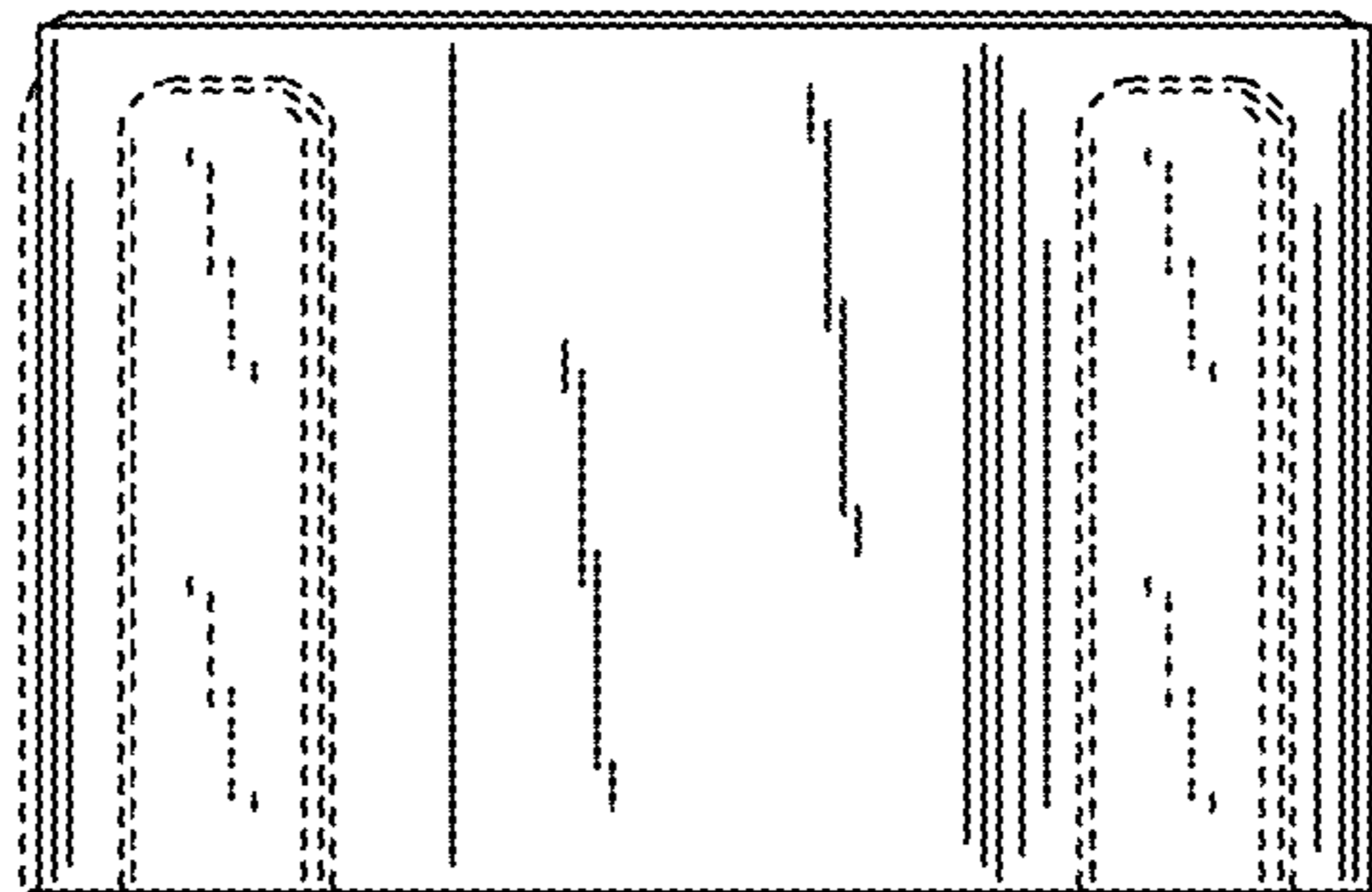


FIG. 3

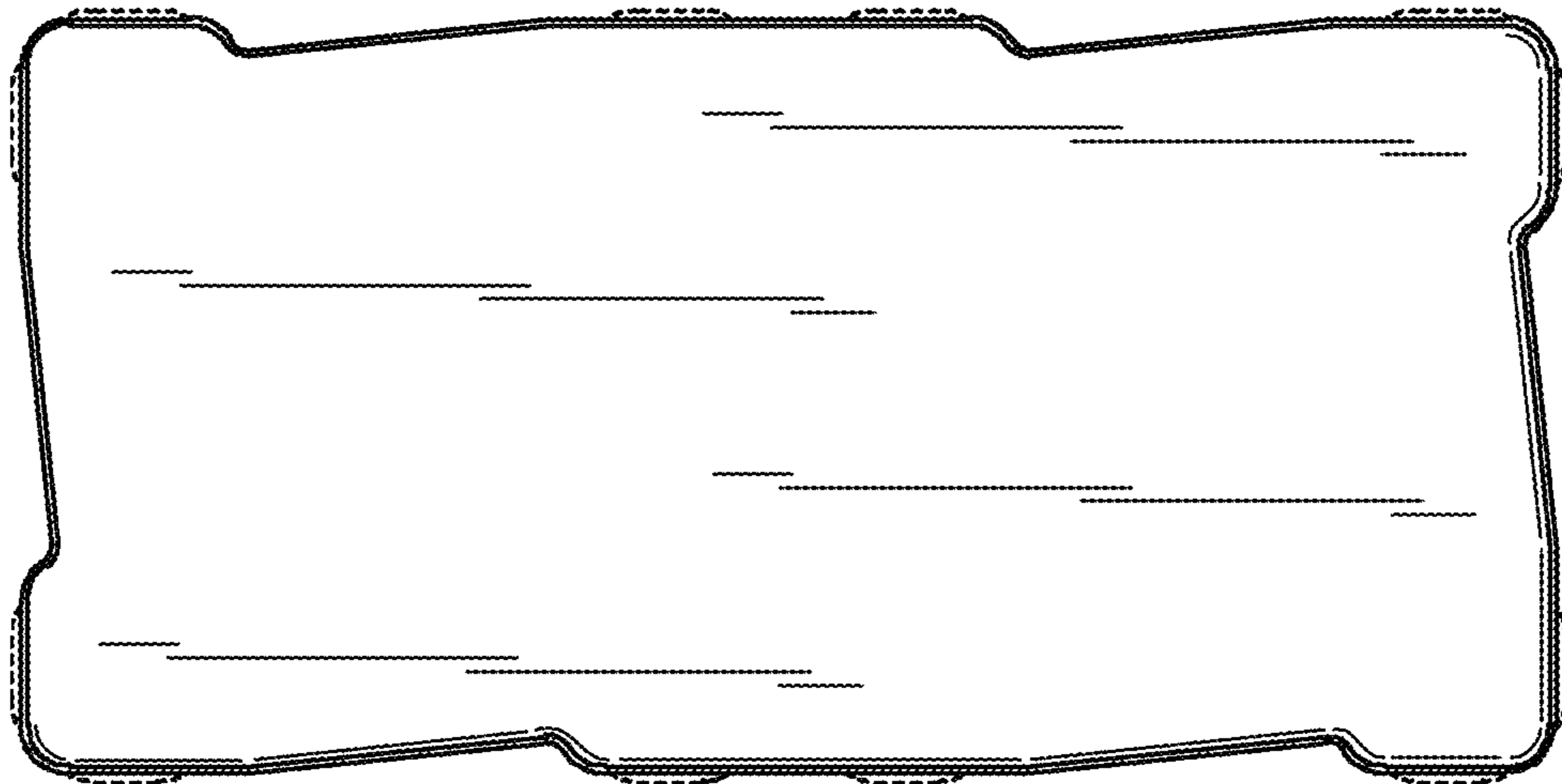


FIG. 4

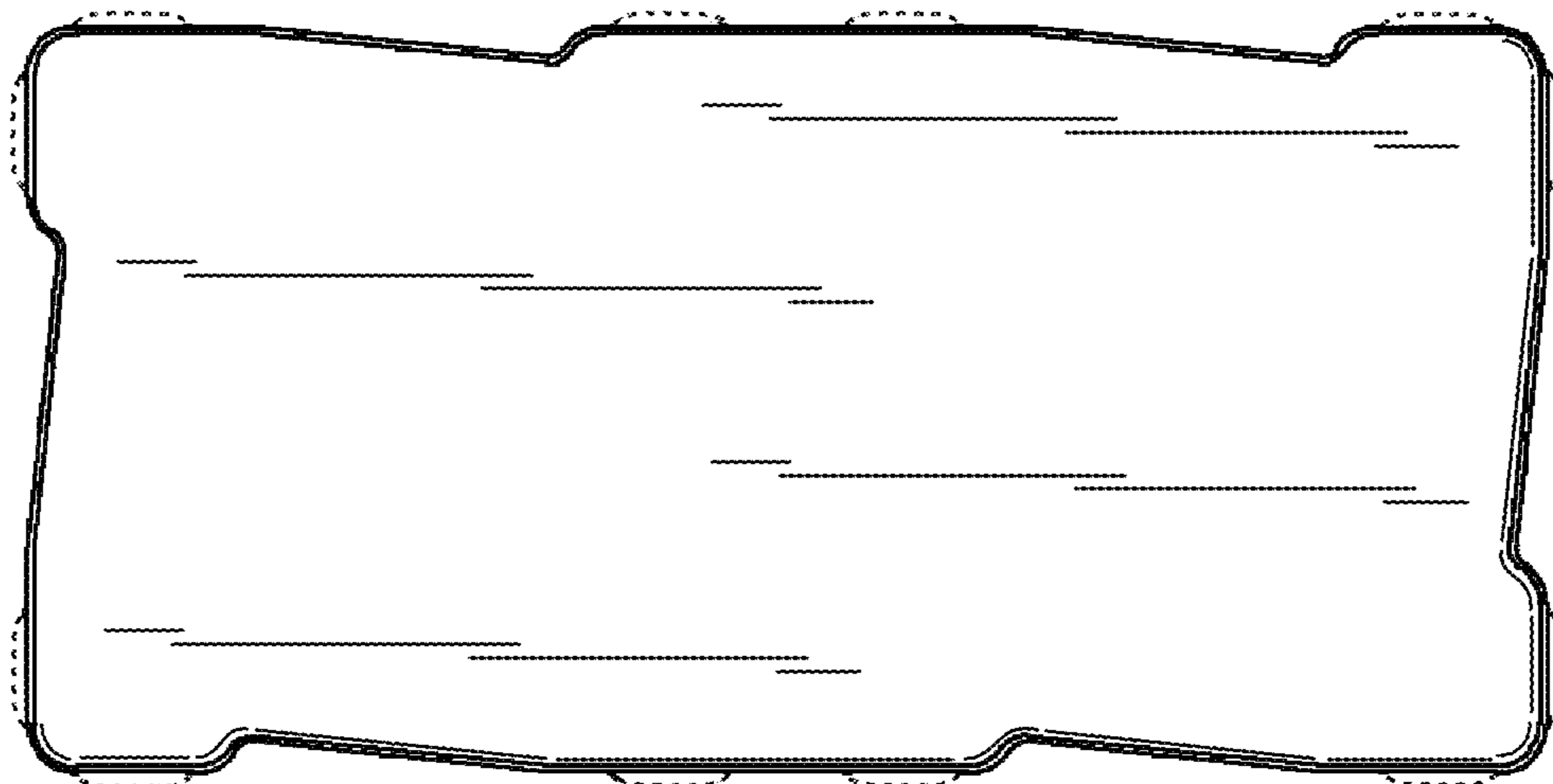


FIG. 5