



US00D737464S

(12) **United States Design Patent**  
**Edlington**

(10) **Patent No.:** **US D737,464 S**

(45) **Date of Patent:** **\*\* Aug. 25, 2015**

(54) **PORTABLE STAGE**

(71) Applicant: **William Edlington**, Erskineville (AU)

(72) Inventor: **William Edlington**, Erskineville (AU)

(\*\*) Term: **14 Years**

(21) Appl. No.: **29/469,692**

(22) Filed: **Oct. 13, 2013**

(51) **LOC (10) Cl.** ..... **25-04**

(52) **U.S. Cl.**  
USPC ..... **D25/62**

(58) **Field of Classification Search**  
USPC ..... D25/62, 58; 182/128, 222; 52/7  
See application file for complete search history.

(56) **References Cited**

**U.S. PATENT DOCUMENTS**

2,632,591 A \* 3/1953 Loomis ..... 182/115  
D273,710 S \* 5/1984 LeBlanc ..... D25/58

D304,083 S \* 10/1989 Jenne ..... D25/58  
6,253,494 B1 \* 7/2001 Shaffron ..... 52/7  
D596,317 S \* 7/2009 Favell ..... D25/62

\* cited by examiner

*Primary Examiner* — Doris Clark

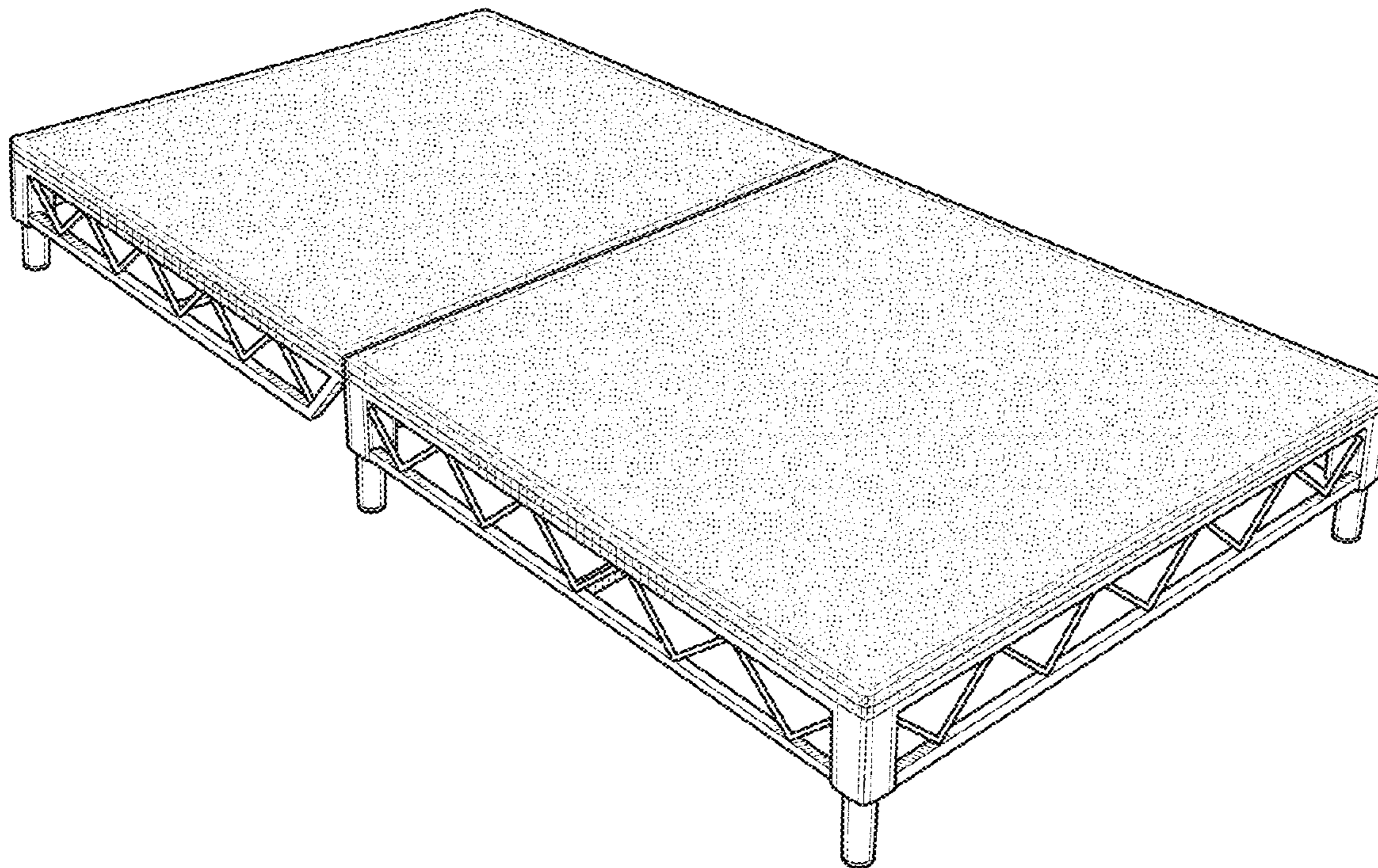
(57) **CLAIM**

I claim the ornamental design for a portable stage, as shown and described.

**DESCRIPTION**

FIG. 1 is top perspective view of the portable stage of the claimed design;  
FIG. 2 is a bottom perspective view of the portable stage in a folded position;  
FIG. 3 is a side view of the portable stage;  
FIG. 4 is a front view of the portable stage;  
FIG. 5 is a bottom view of the portable stage; and,  
FIG. 6 is a top view of the portable stage.

**1 Claim, 5 Drawing Sheets**



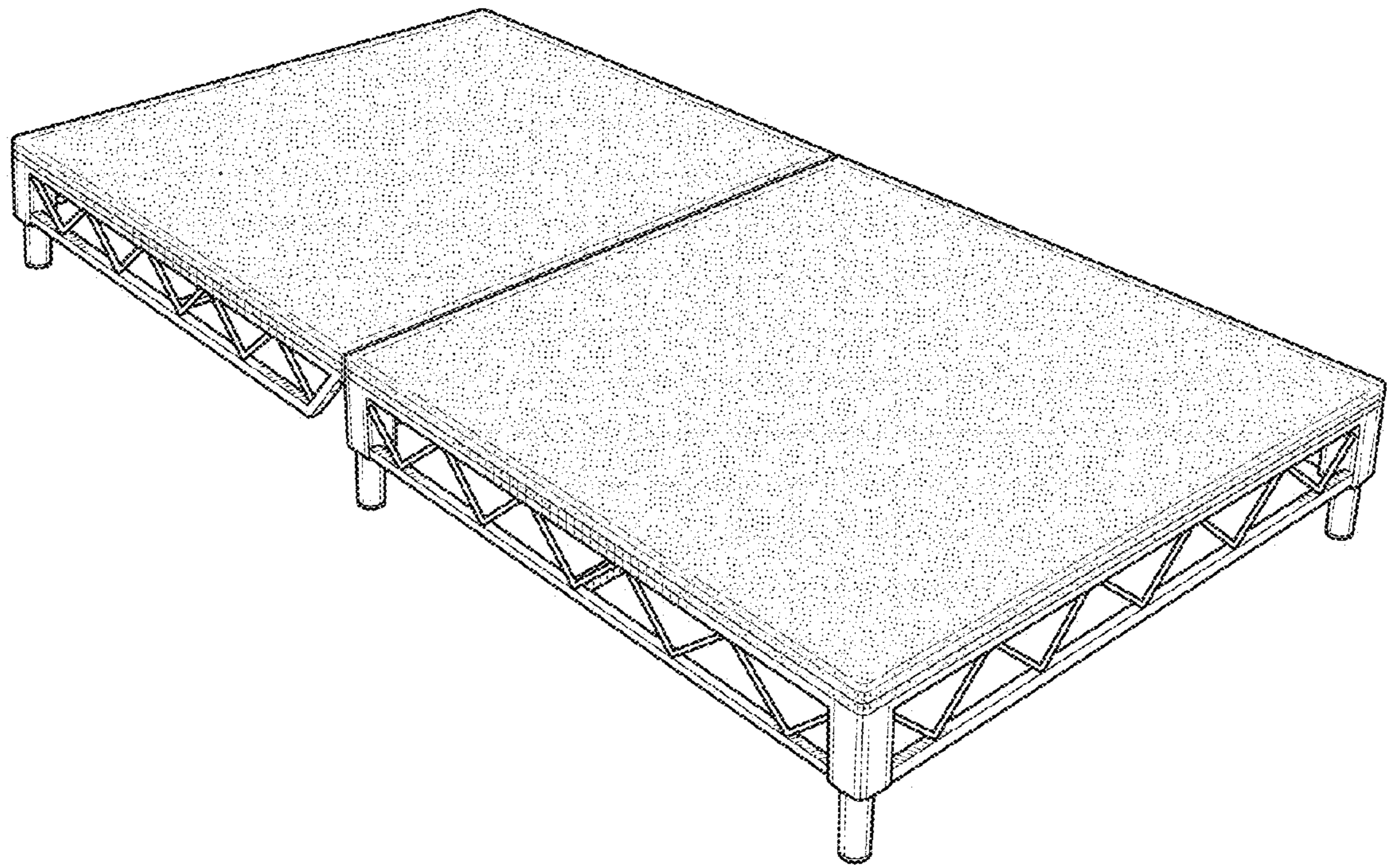


FIG. 1

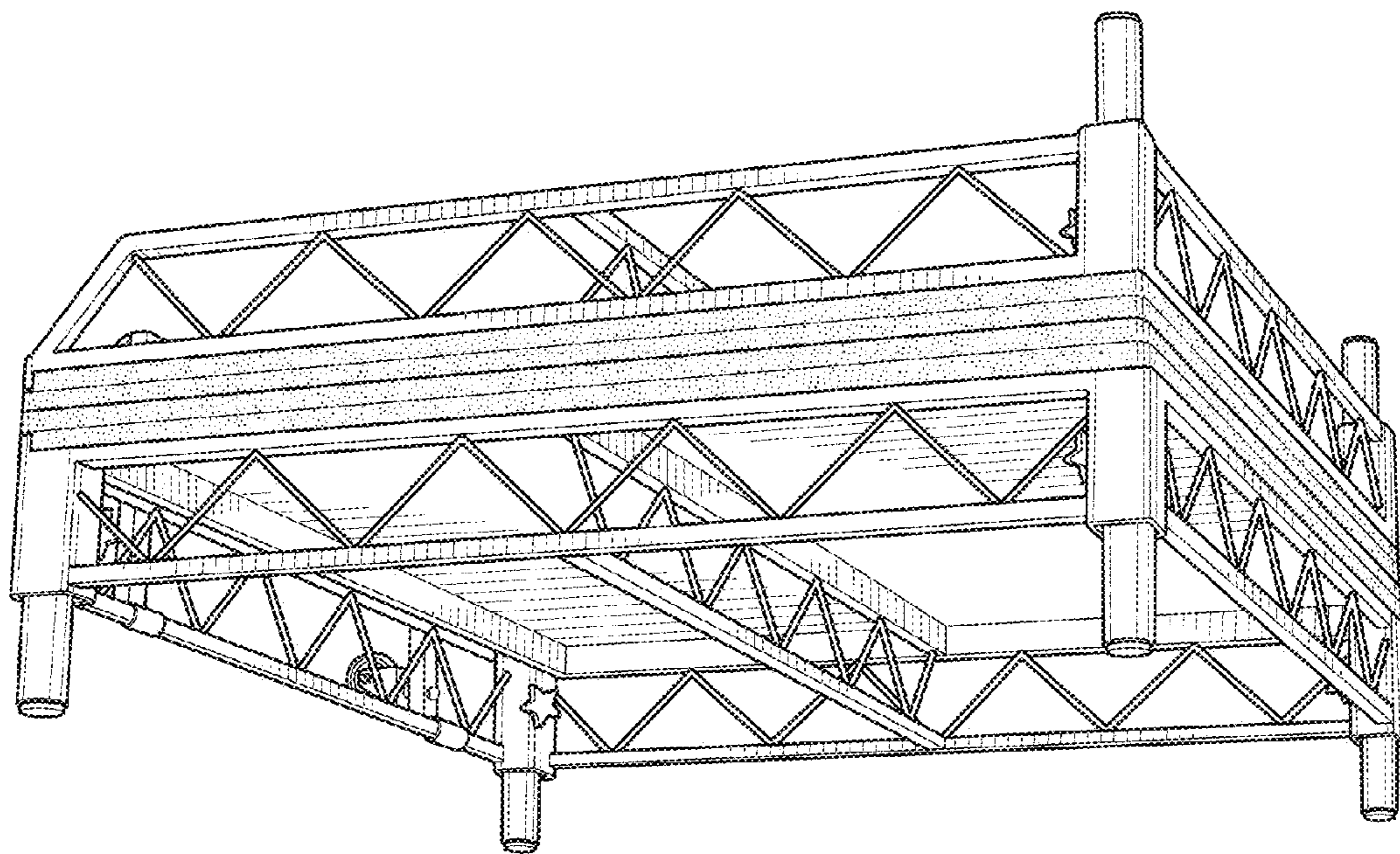


FIG. 2

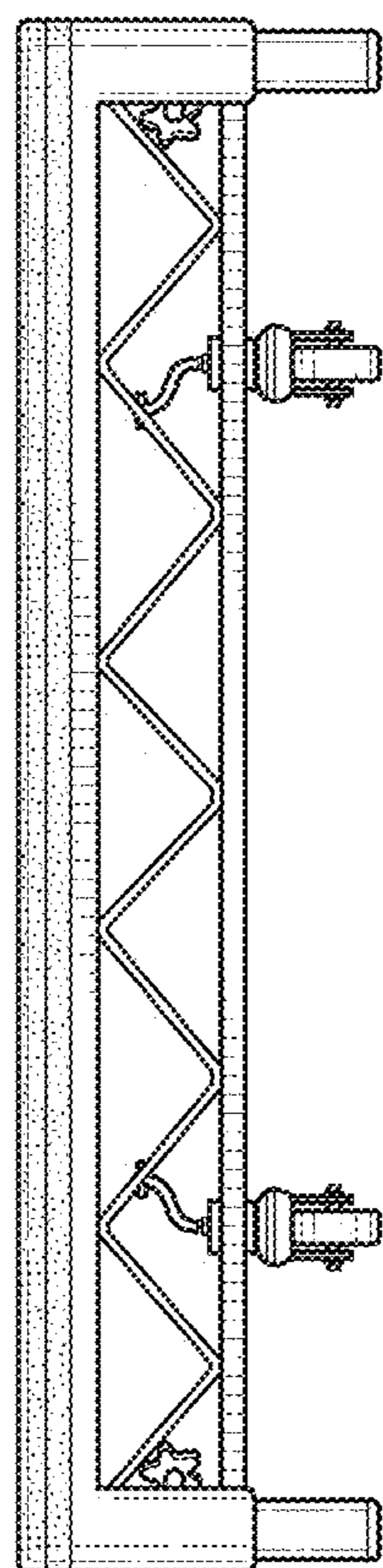


FIG. 3

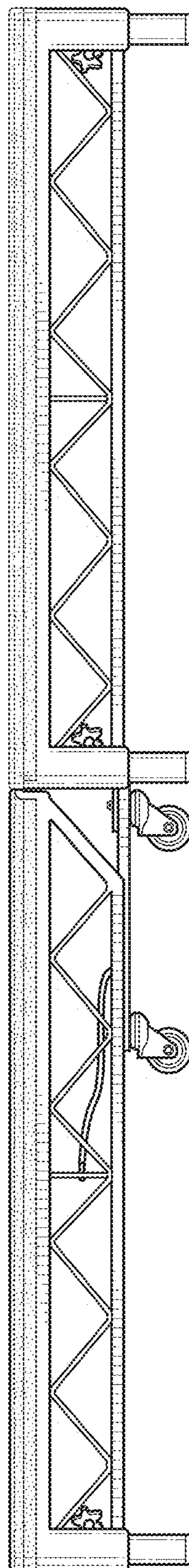


FIG. 4

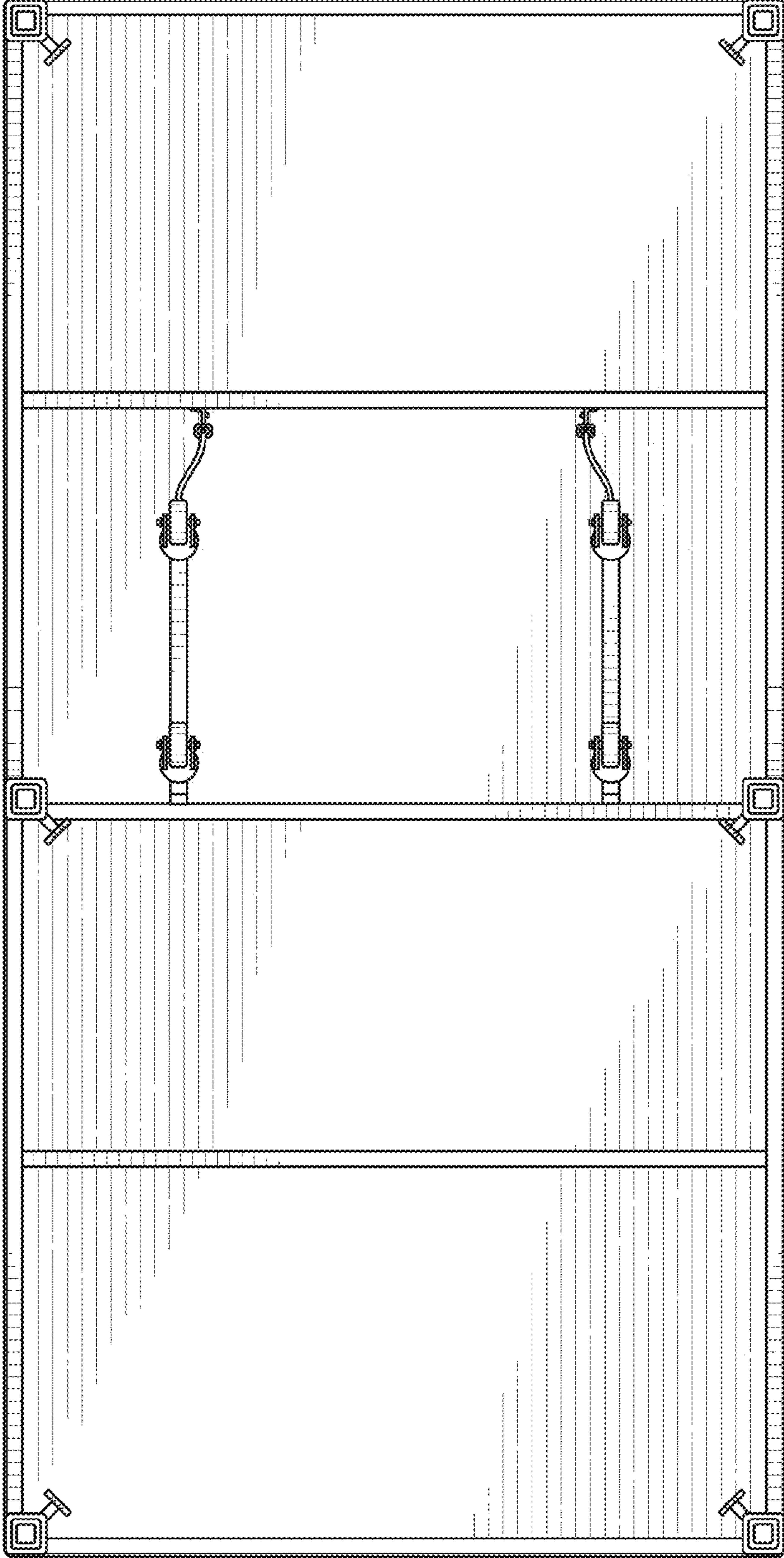


FIG. 5



**FIG. 6**