



US00D737460S

(12) **United States Design Patent**
Orvelin

(10) **Patent No.:** **US D737,460 S**

(45) **Date of Patent:** **** Aug. 25, 2015**

(54) **SALES EQUIPMENT**

(71) Applicant: **Gottbitten En Gros AB**, Strömstad (SE)

(72) Inventor: **Petter Orvelin**, Strömstad (SE)

(73) Assignee: **Gottbitten En Gros AB**, Strömstad (SE)

(**) Term: **14 Years**

(21) Appl. No.: **29/483,225**

(22) Filed: **Feb. 26, 2014**

(30) **Foreign Application Priority Data**

Oct. 8, 2013 (EM) 002321844-0001

(51) **LOC (10) Cl.** **25-03**

(52) **U.S. Cl.**

USPC **D25/4**

(58) **Field of Classification Search**

USPC D25/1, 3-4, 16, 31, 33; D24/234;

D16/215; D14/302; D99/28

CPC A47B 220/0073; A47B 2083/006;

E04B 1/34; G09F 27/00; E04H 1/205; E04H

1/12; E04H 1/1222; E04H 1/125; E04H

1/1205

See application file for complete search history.

(56) **References Cited**

U.S. PATENT DOCUMENTS

704,986	A	*	7/1902	Tufts	D25/4
D242,923	S	*	1/1977	Dattner	D25/16
D283,622	S	*	4/1986	Crosby et al.	D25/4
D373,641	S	*	9/1996	Lee	D25/4
5,702,166	A	*	12/1997	Lee	D14/130
D474,766	S	*	5/2003	Perscky de Fabrega	D99/28

* cited by examiner

Primary Examiner — Robert Delehanty

(74) *Attorney, Agent, or Firm* — Dilworth & Barrese, LLP.

(57) **CLAIM**

The ornamental design for sales equipment, as shown and described.

DESCRIPTION

FIG. 1 is a front perspective view from above of the sales equipment showing my new design;

FIG. 2 is a right rear perspective view from above of the sales equipment of FIG. 1;

FIG. 3 is a left rear perspective view from below of the sales equipment of FIGS. 1 and 2;

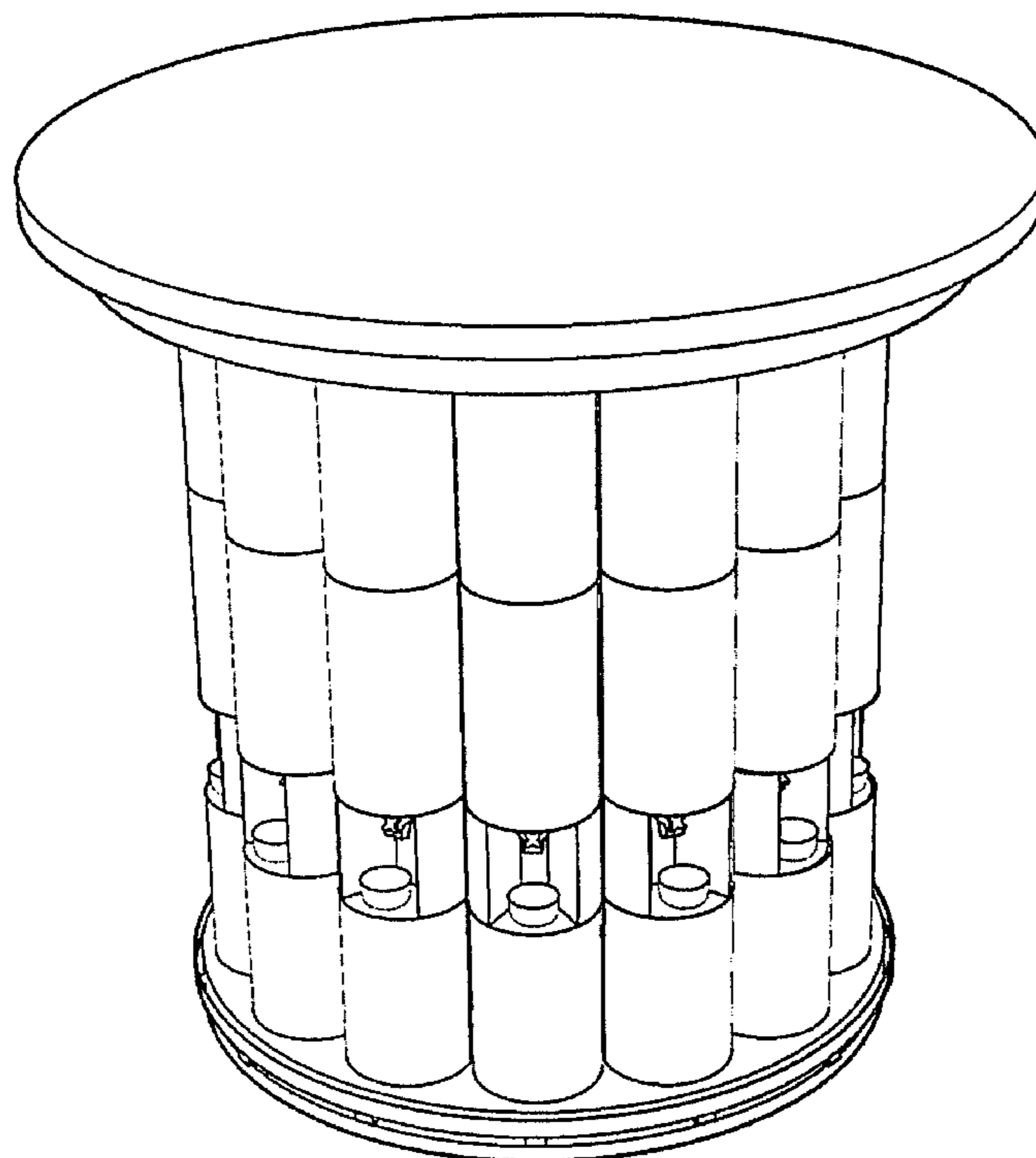
FIG. 4 is a left front perspective view from below of the sales equipment of FIGS. 1-3, the right front perspective view from below being a substantial mirror image thereof;

FIG. 5 is a front elevational view of the sales equipment of FIGS. 1-4;

FIG. 6 is a rear elevational view of the sales equipment of FIGS. 1-5; and,

FIG. 7 is a bottom plan view of the sales equipment of FIGS. 1-6.

1 Claim, 7 Drawing Sheets



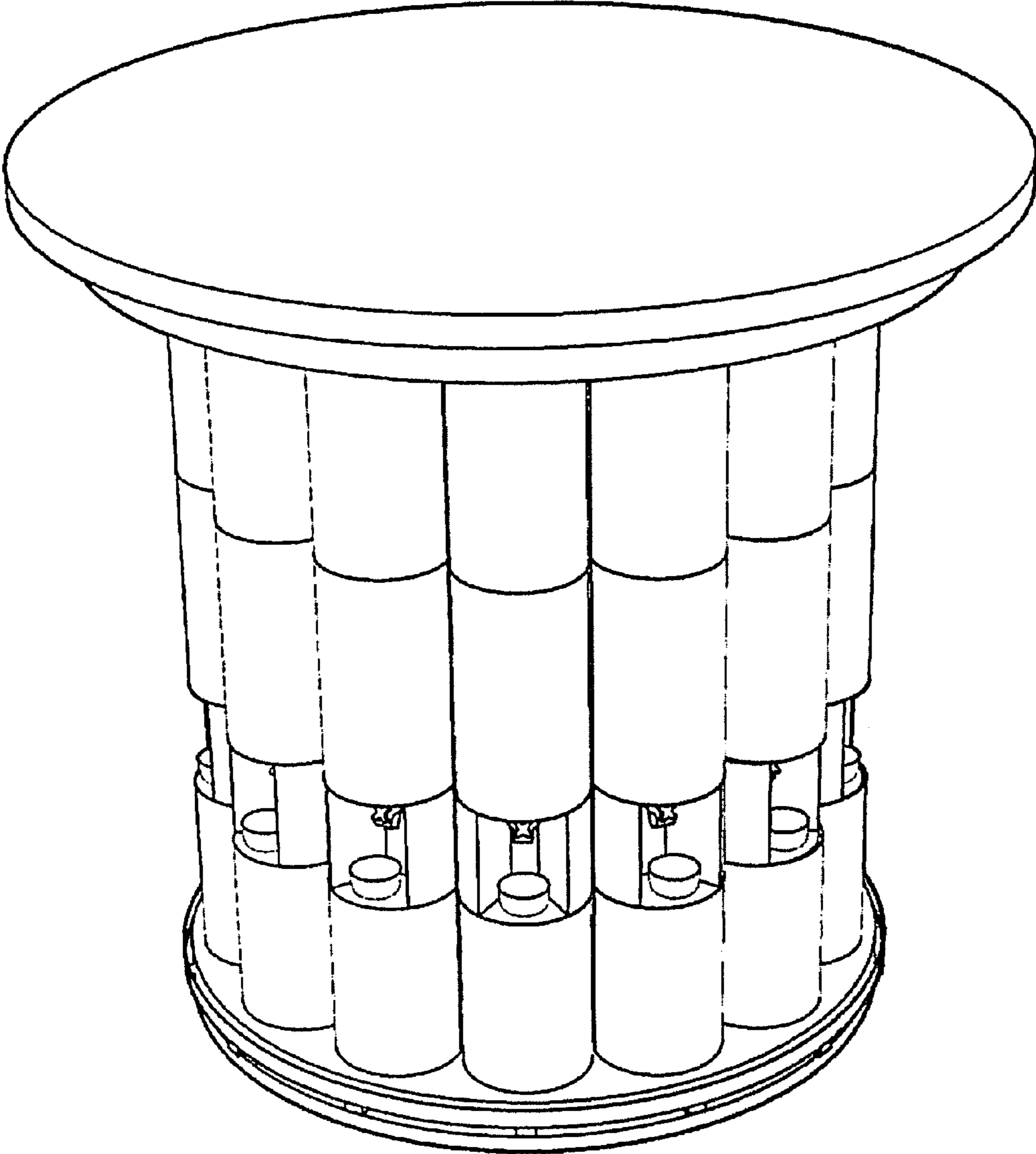


Fig. 1

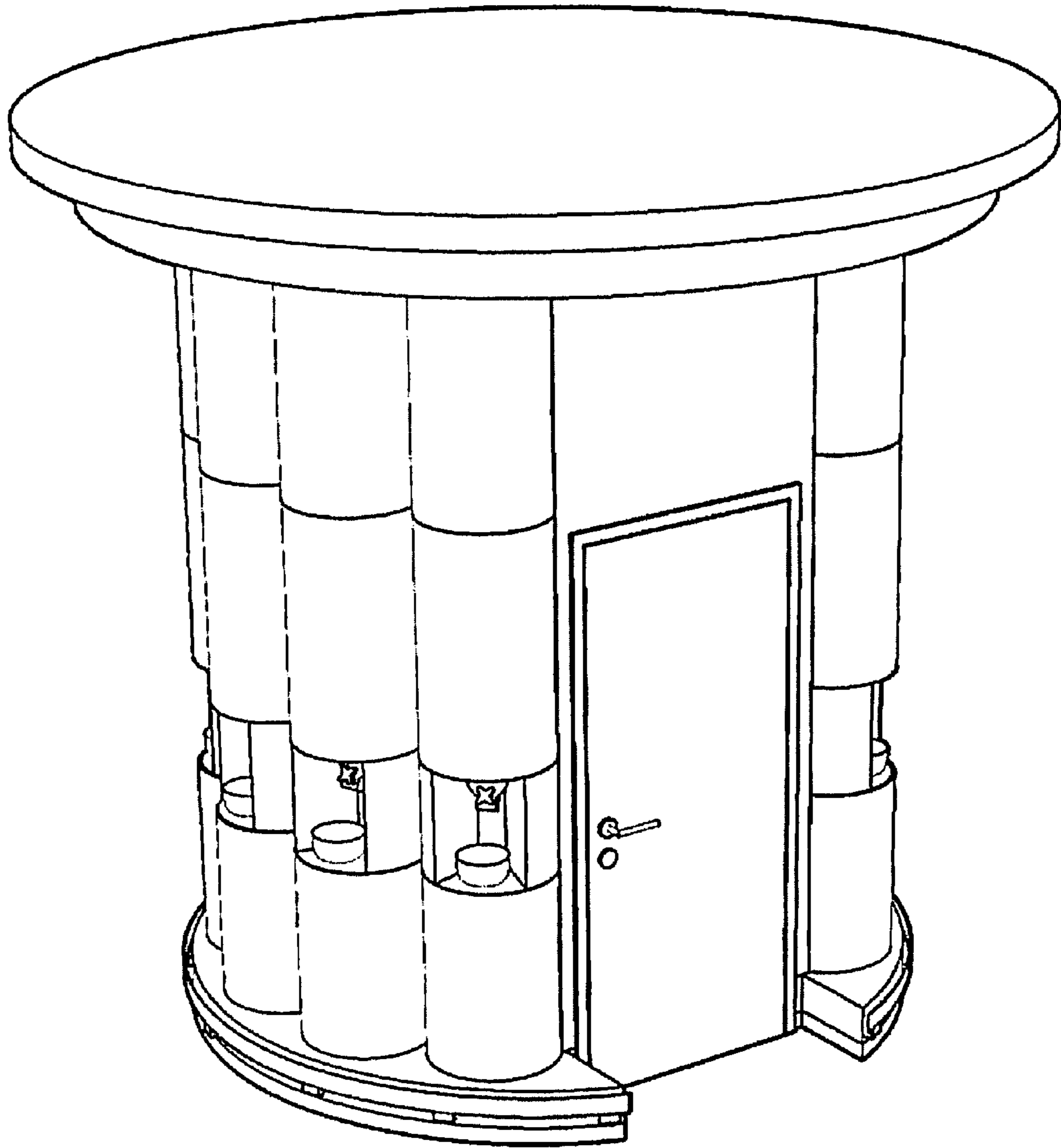


Fig. 2

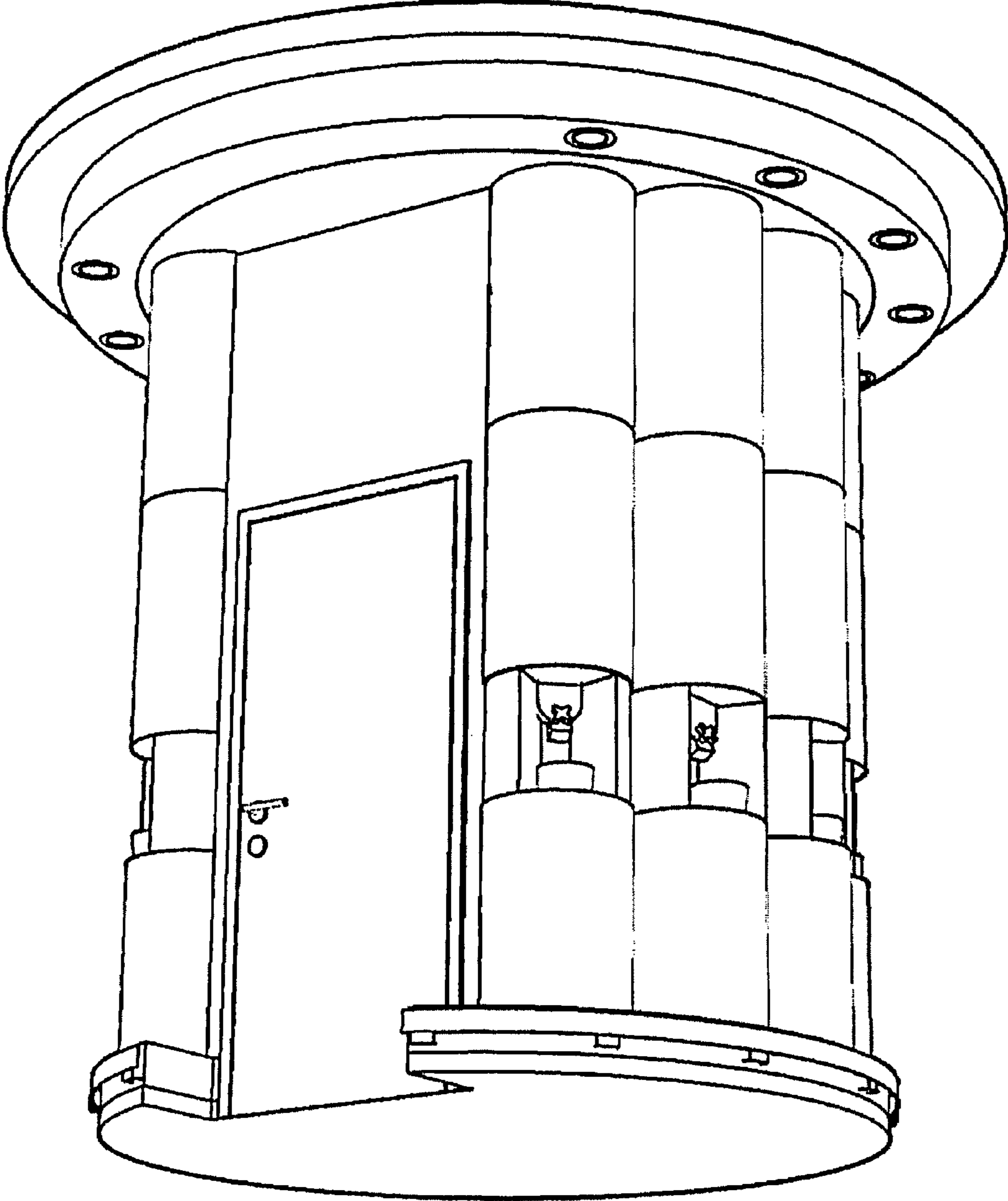


Fig. 3

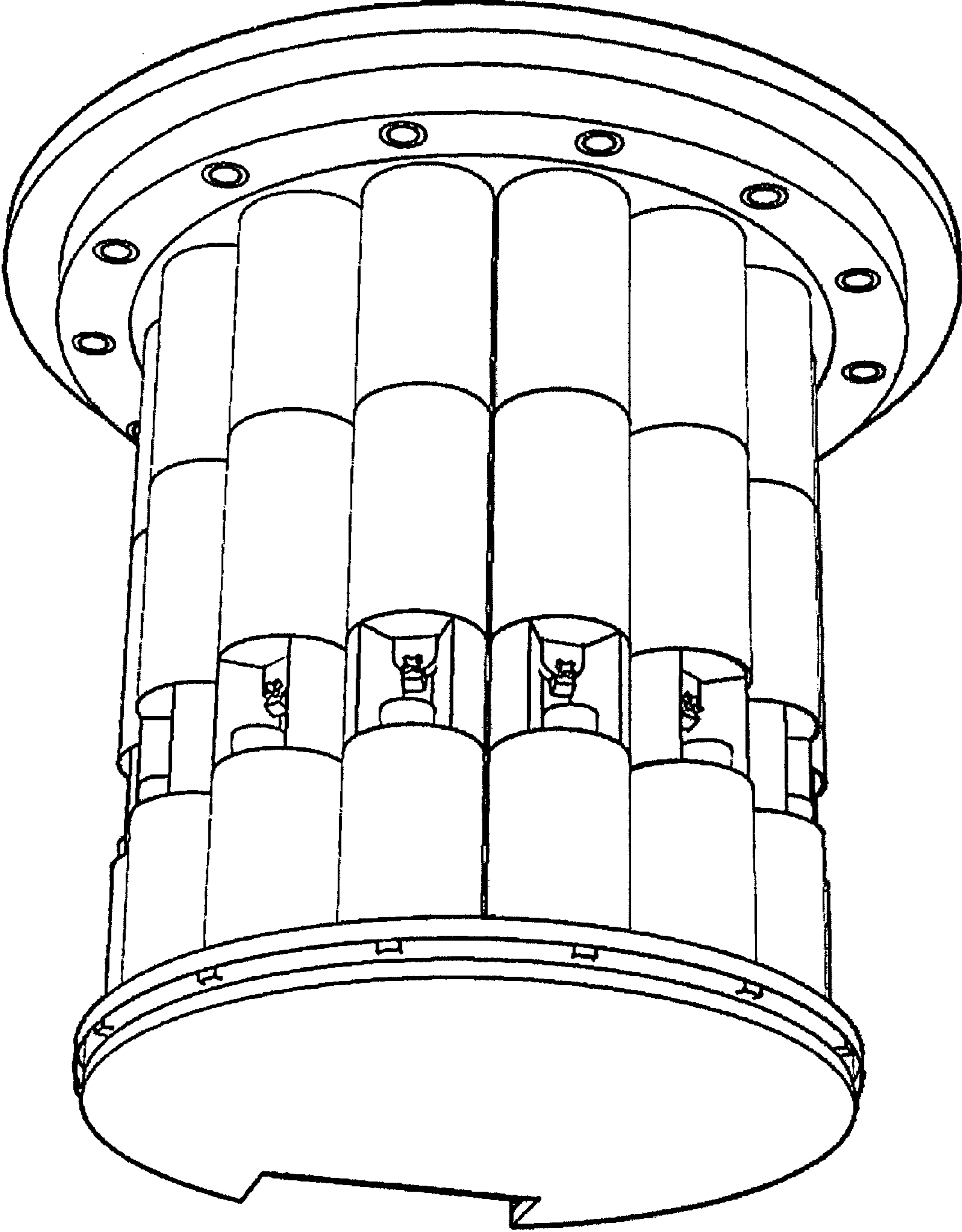


Fig. 4

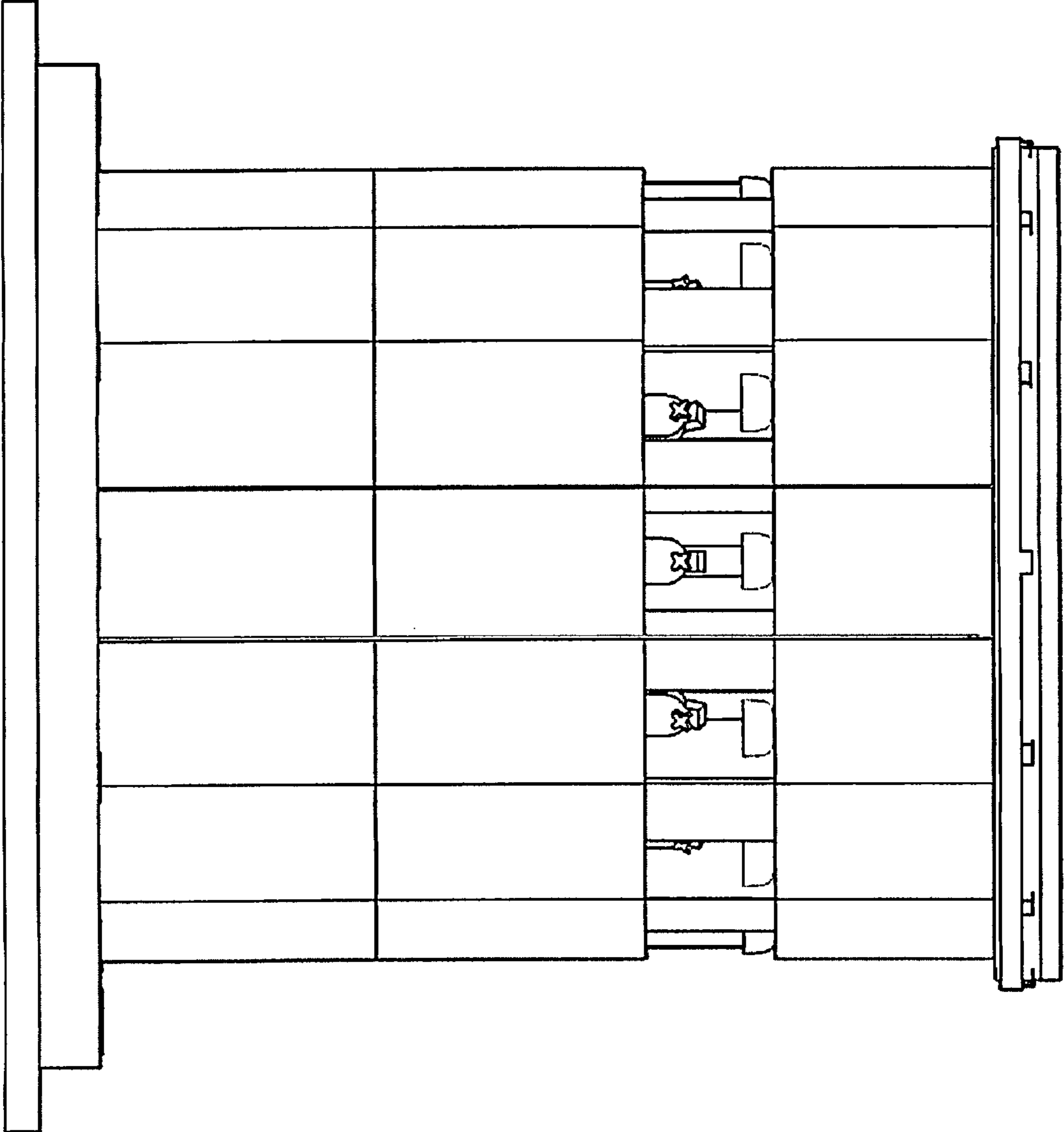


Fig. 5

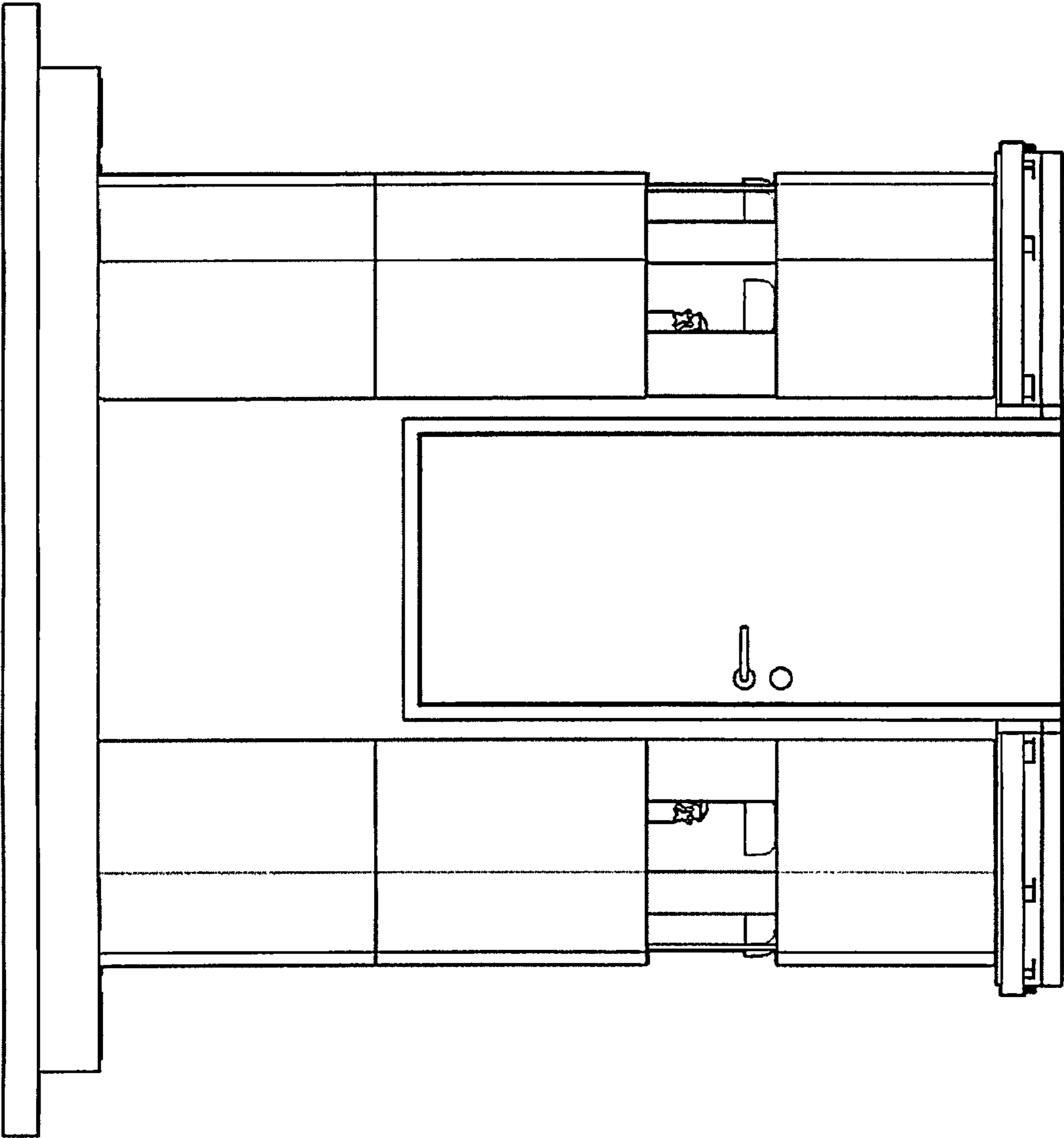


Fig. 6

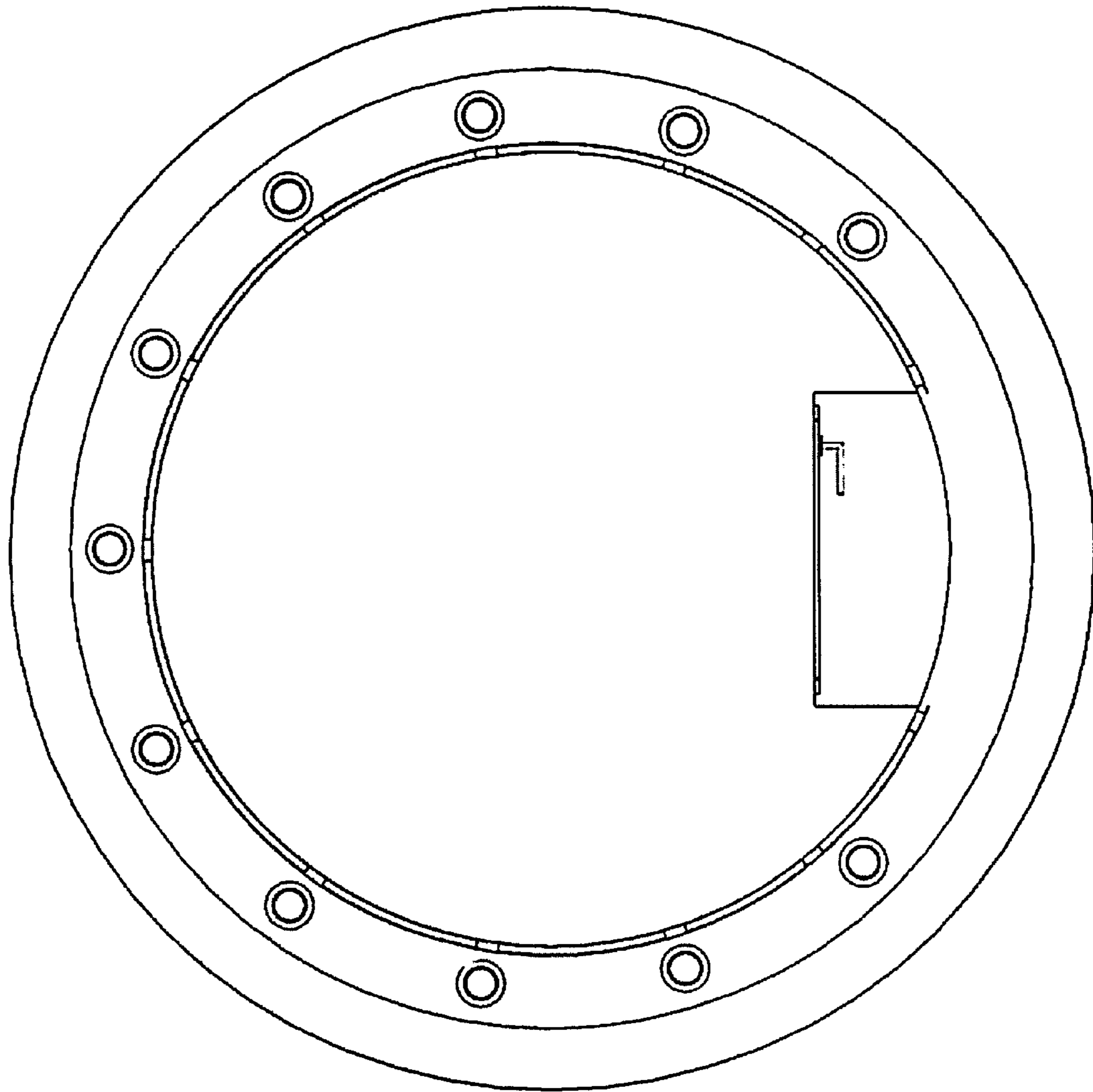


Fig. 7