



US00D737459S

(12) **United States Design Patent**
Kurihara et al.

(10) **Patent No.:** **US D737,459 S**
(45) **Date of Patent:** **** Aug. 25, 2015**

(54) **AUTOMATED SYSTEM FOR CONDUCTING BIOCHEMICAL REACTIONS**

(71) Applicant: **ILLUMINA, INC.**, San Diego, CA (US)

(72) Inventors: **Jun Kurihara**, Milpitas, CA (US);
Abizar Lakdawalla, Los Altos Hills, CA (US); **Majid Aghababazadeh**,
Cupertino, CA (US); **Behnam Javanmardi**, San Jose, CA (US)

(73) Assignee: **Illumina, Inc.**, San Diego, CA (US)

(**) Term: **14 Years**

(21) Appl. No.: **29/488,178**

(22) Filed: **Apr. 16, 2014**

(51) **LOC (10) Cl.** **24-01**

(52) **U.S. Cl.**
USPC **D24/232**

(58) **Field of Classification Search**
USPC D24/231–233, 186, 216; D10/81;
422/62–63, 67, 68.1, 81, 89, 509, 547,
422/561, 565
See application file for complete search history.

(56) **References Cited**

U.S. PATENT DOCUMENTS

D261,033 S	9/1981	Armbruster	
D288,478 S	2/1987	Carlson et al.	
D303,007 S	8/1989	Flesher et al.	
D324,426 S	3/1992	Fan et al.	
D328,794 S	8/1992	Frenkel et al.	
D338,275 S	8/1993	Fischer et al.	
D378,782 S	4/1997	LaBarbera et al.	
D535,403 S *	1/2007	Isozaki et al.	D24/232
D588,276 S *	3/2009	Isozaki et al.	D24/232
D633,538 S *	3/2011	Oonuma et al.	D16/131
D638,545 S *	5/2011	Okawa et al.	D24/186

(Continued)

Primary Examiner — Wan Laymon

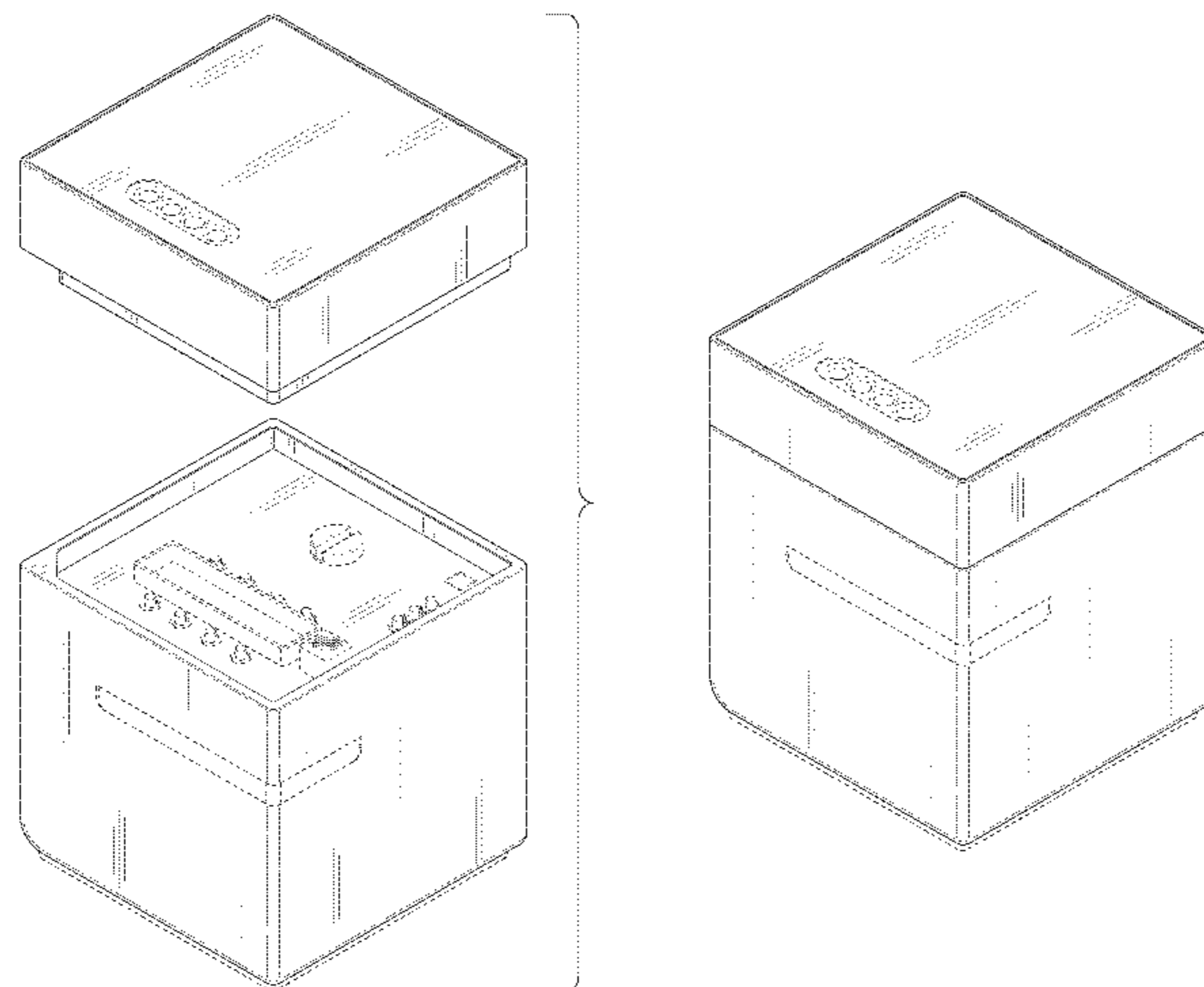
(74) *Attorney, Agent, or Firm* — Dean D. Small; Jason P. Gross; The Small Patent Law Group, LLC

(57) **CLAIM**
The ornamental design of an automated system for conducting biochemical reactions, as shown and described.

DESCRIPTION

FIG. 1 is an exploded, front-top perspective view of an automated system for conducting biochemical reactions, which includes a base instrument and a removable cartridge that is configured to be mounted to the base instrument;
FIG. 2 is an exploded rear view thereof;
FIG. 3 is an exploded side view thereof;
FIG. 4 is an exploded side view thereof;
FIG. 5 is an exploded front view thereof;
FIG. 6 is a top plan view thereof;
FIG. 7 is a bottom plan view thereof;
FIG. 8 is a top plan view of the base instrument of the automated system for conducting biochemical reactions, the removable cartridge is removed for ease of illustration;
FIG. 9 is a bottom plan view of the removable cartridge of the automated system for conducting biochemical reactions, the base instrument is removed for ease of illustration;
FIG. 10 is an enlarged bottom perspective view thereof.
FIG. 11 is a front perspective view of the automated system for conducting biochemical reactions;
FIG. 12 is a rear view thereof;
FIG. 13 is a side view thereof;
FIG. 14 is a side view thereof;
FIG. 15 is a front view thereof;
FIG. 16 is an exploded side view as shown in FIG. 4;
FIG. 17 is an exploded front view as shown in FIG. 5;
FIG. 18 is an exploded side view as shown in FIG. 4;
FIG. 19 is a top plan view as shown in FIG. 8; and,
FIG. 20 is a bottom plan view as shown in FIG. 9.
Broken lines shown in the drawings illustrate environmental structure only and form no part of the claimed design. FIGS. 16-20 include break lines to indicate indeterminate dimensions. These indeterminate portions form no part of the claimed design.

1 Claim, 12 Drawing Sheets



US D737,459 S

Page 2

(56)

References Cited

U.S. PATENT DOCUMENTS

D658,767 S * 5/2012 Becker et al. D24/186
D666,737 S 9/2012 Benarieh et al.
D676,976 S * 2/2013 Walsh et al. D24/216

D681,233 S 4/2013 Thomas et al.
D687,968 S 8/2013 Trigg et al.
D693,939 S * 11/2013 Iseki D24/216
8,652,848 B2 * 2/2014 Nagai et al. 422/68.1
D707,844 S * 6/2014 Hilbey D24/216

* cited by examiner

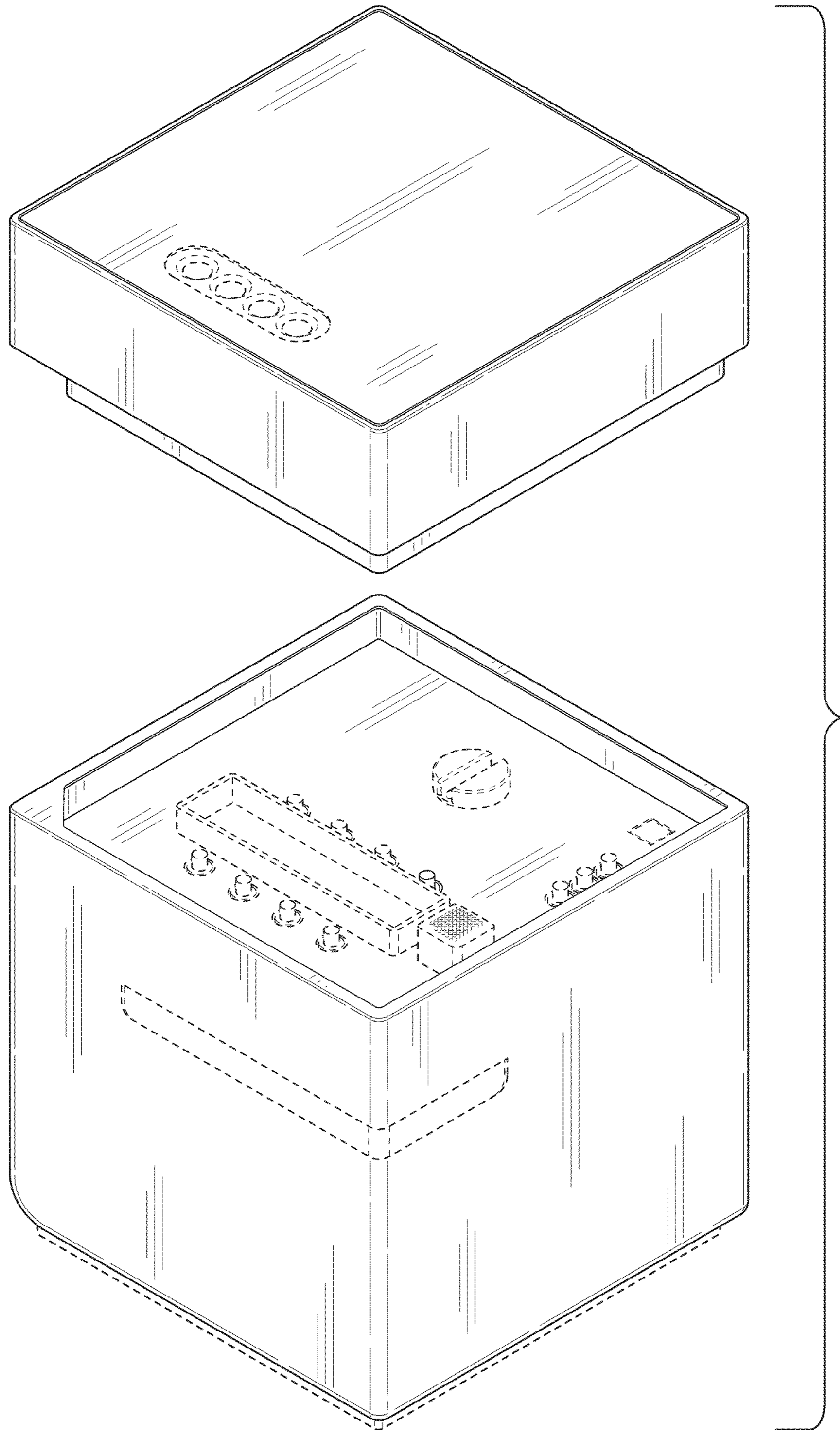


FIG. 1

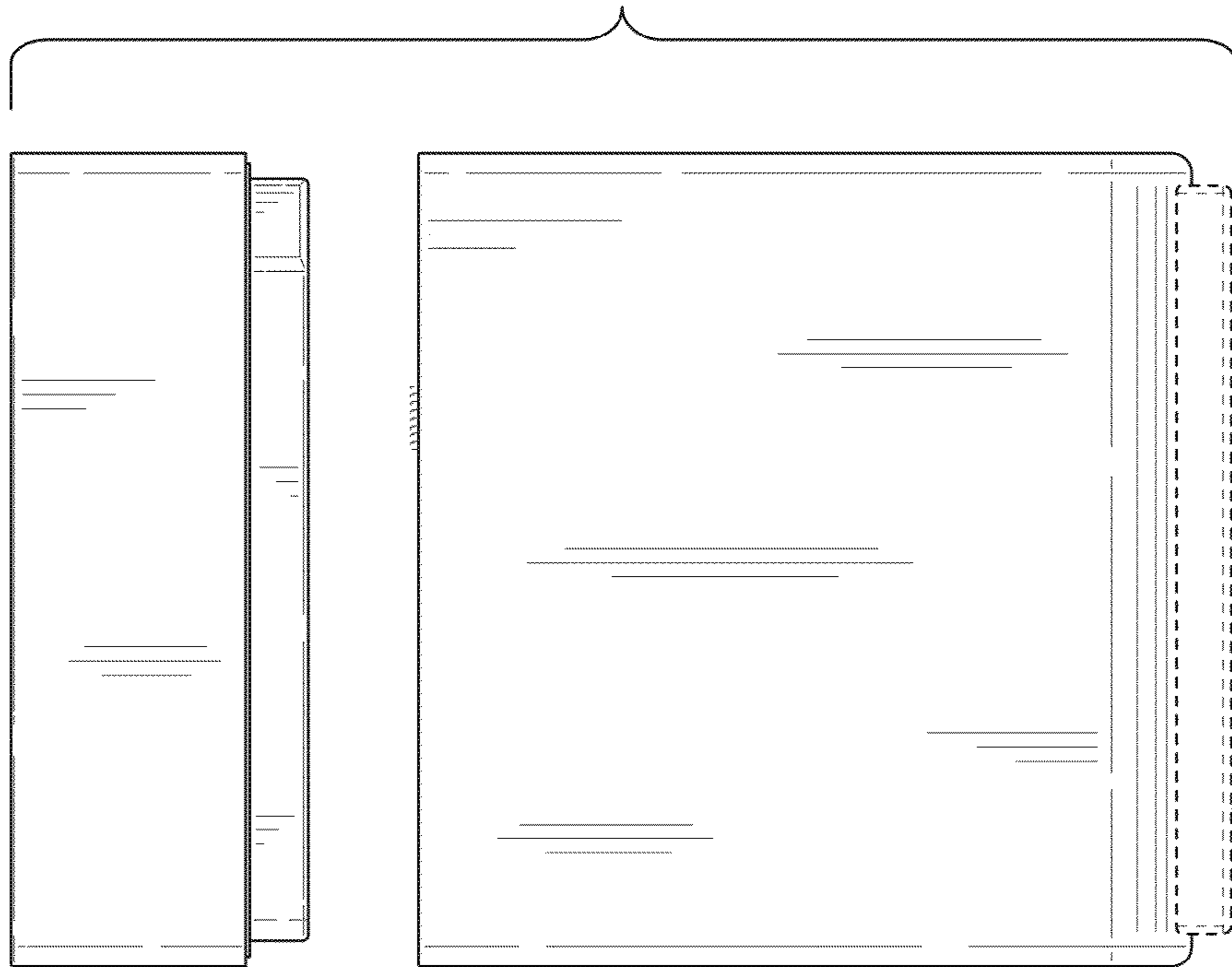


FIG. 3

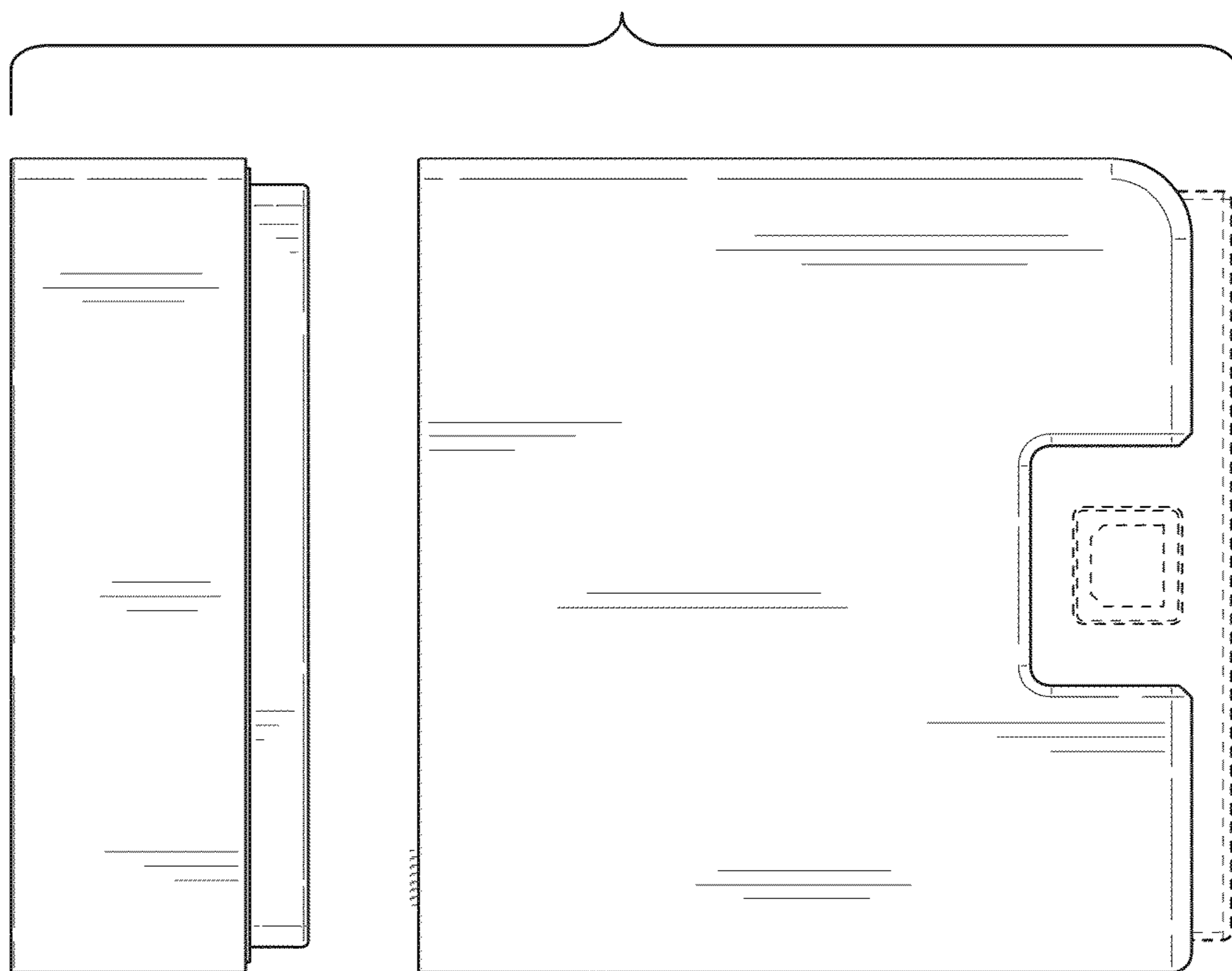


FIG. 2

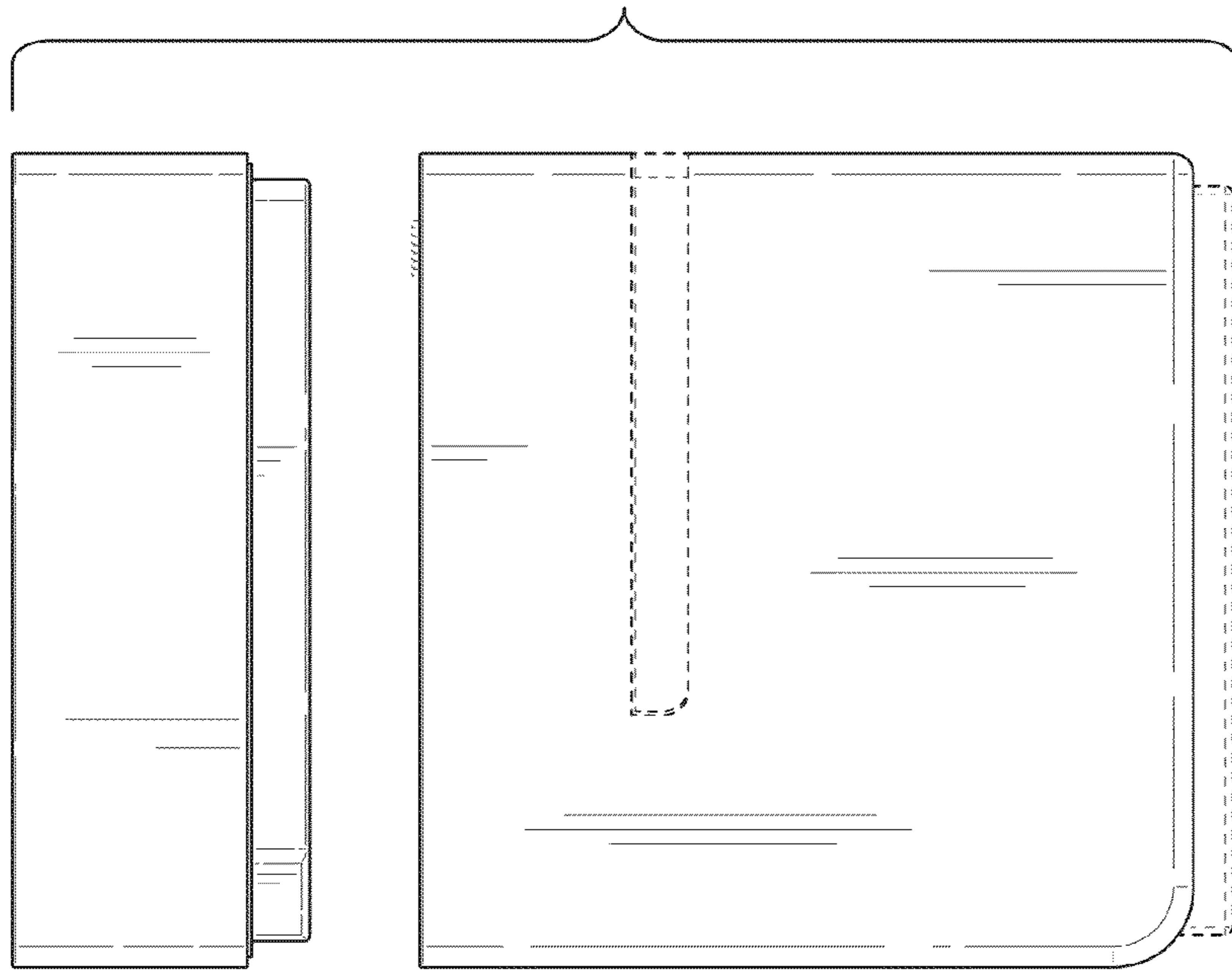


FIG. 5

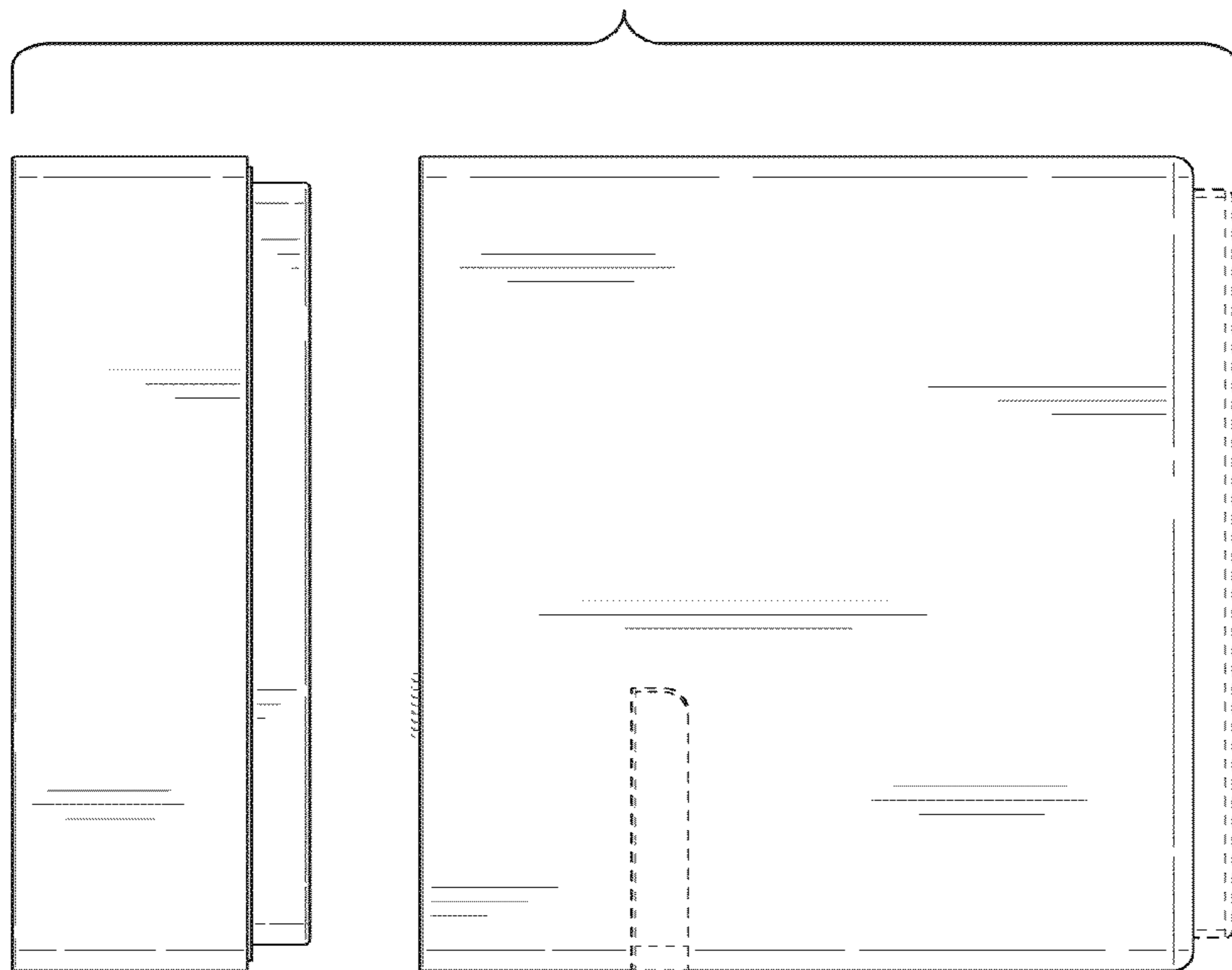


FIG. 4

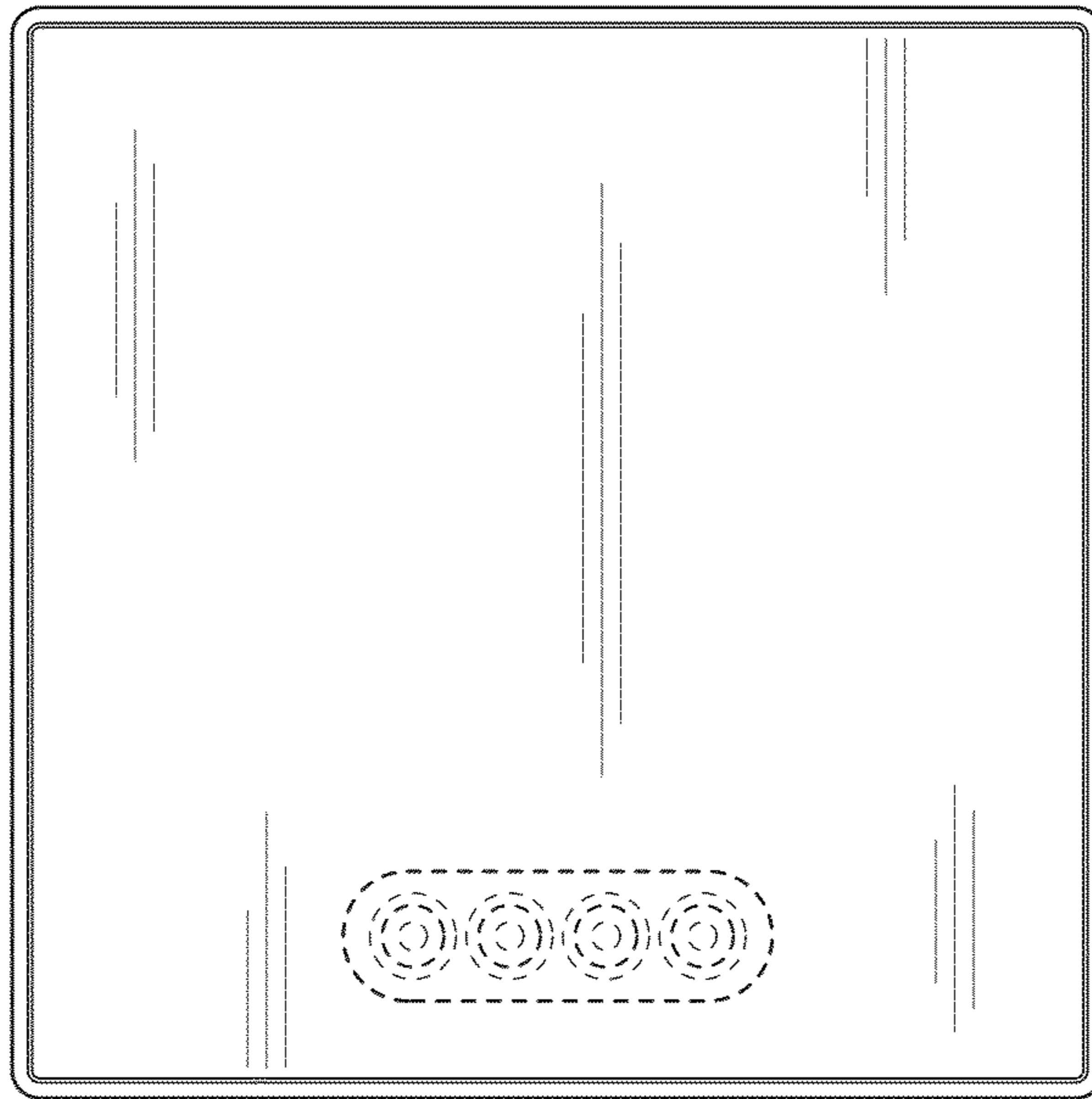


FIG. 6

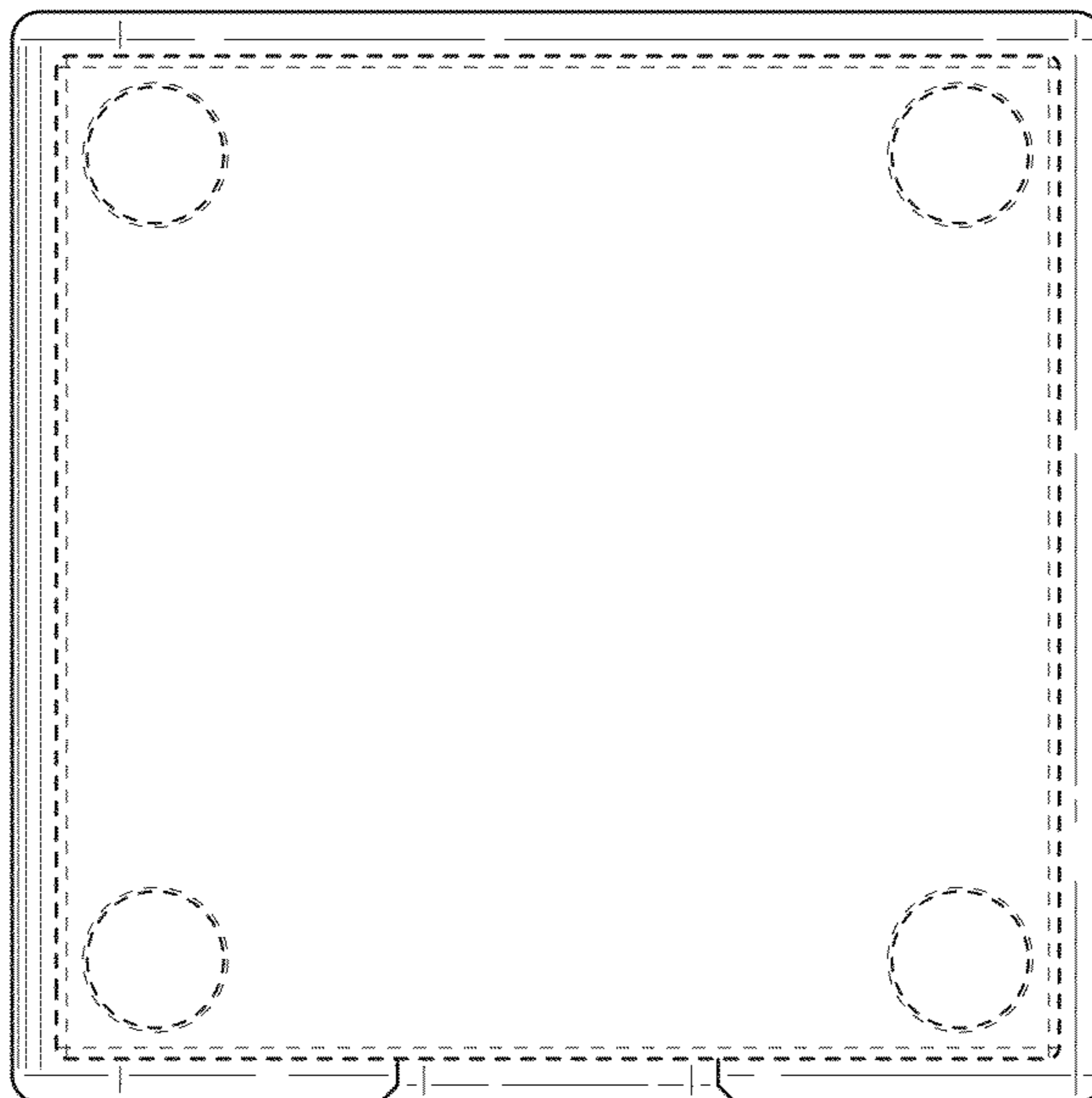


FIG. 7

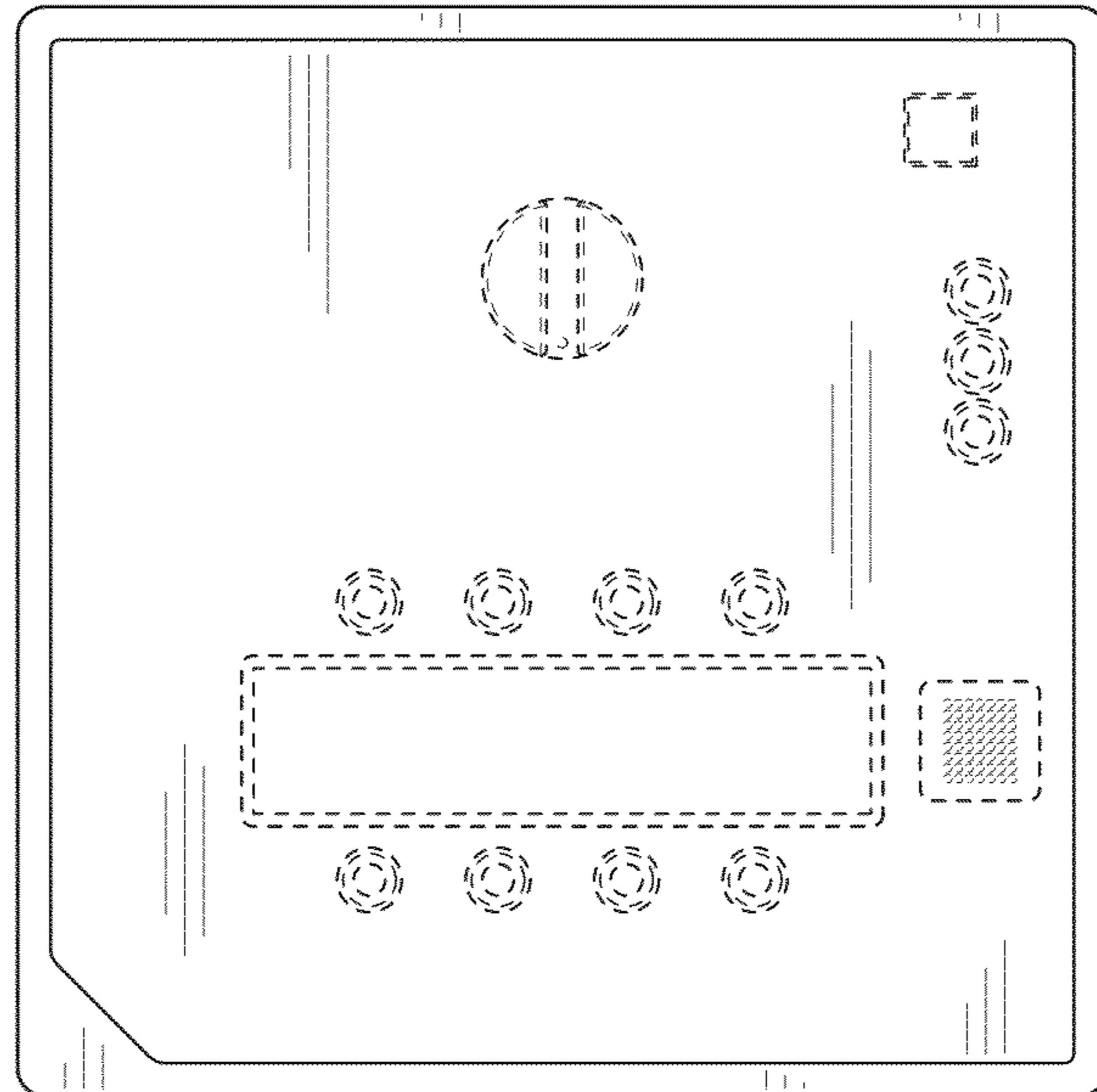


FIG. 8

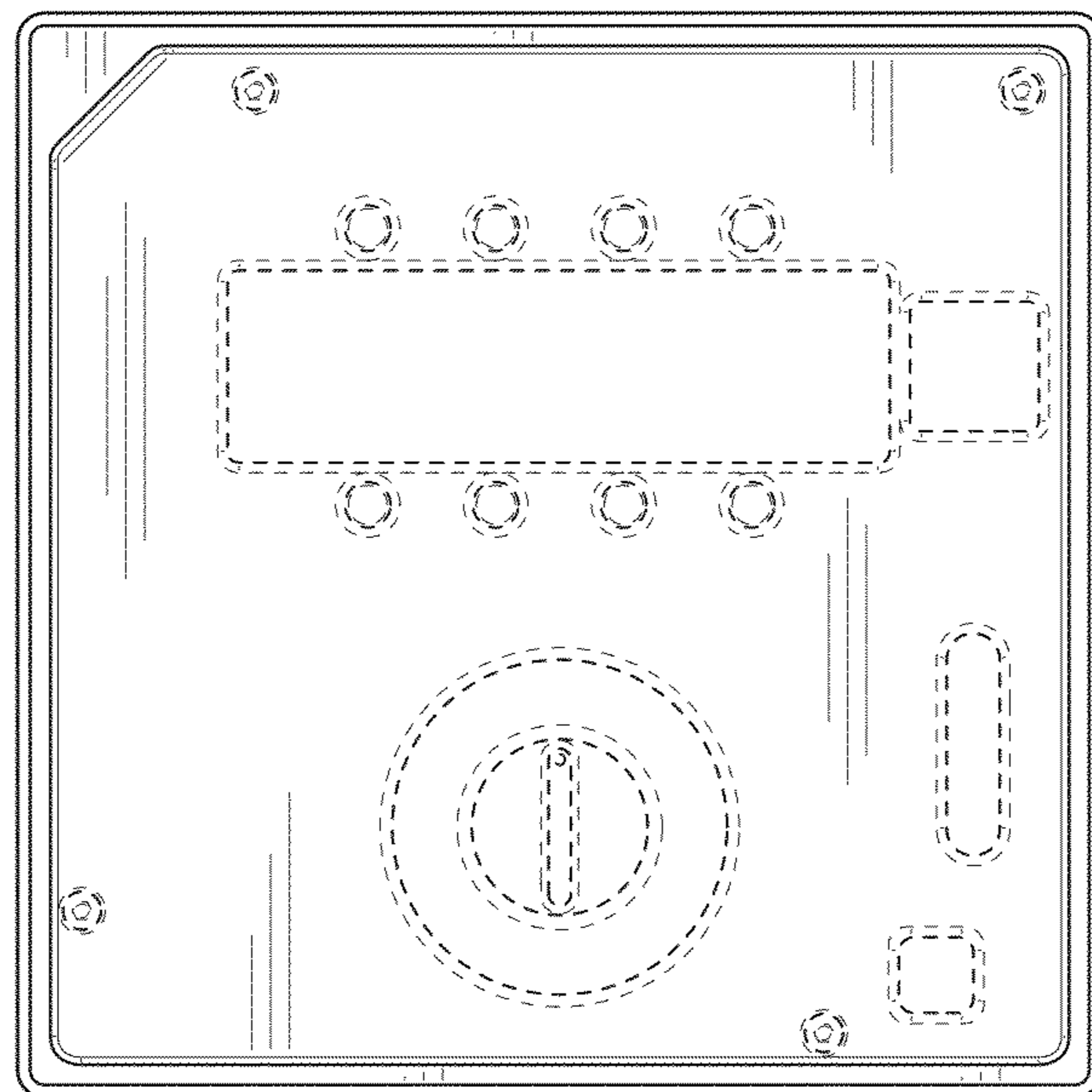


FIG. 9

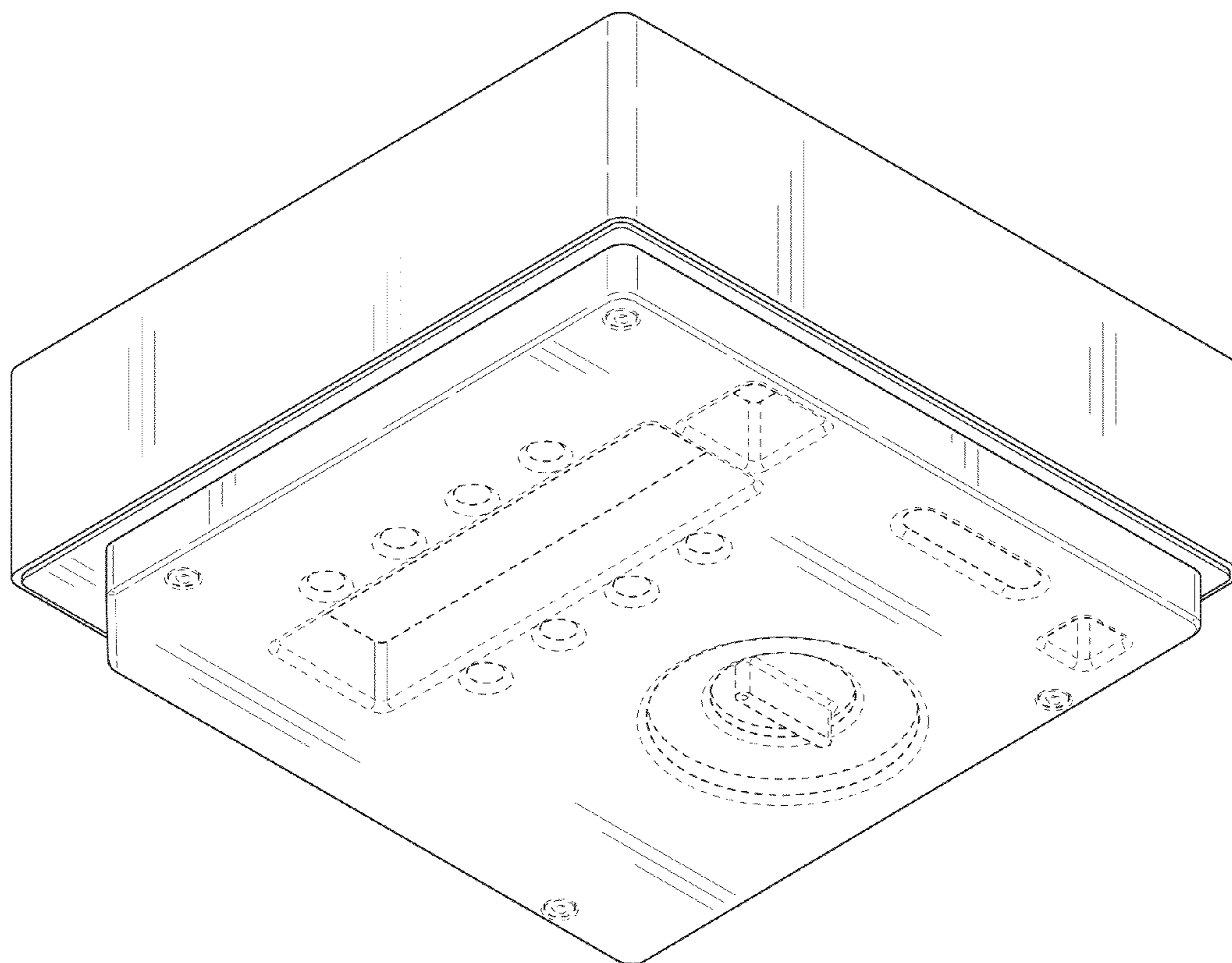


FIG. 10

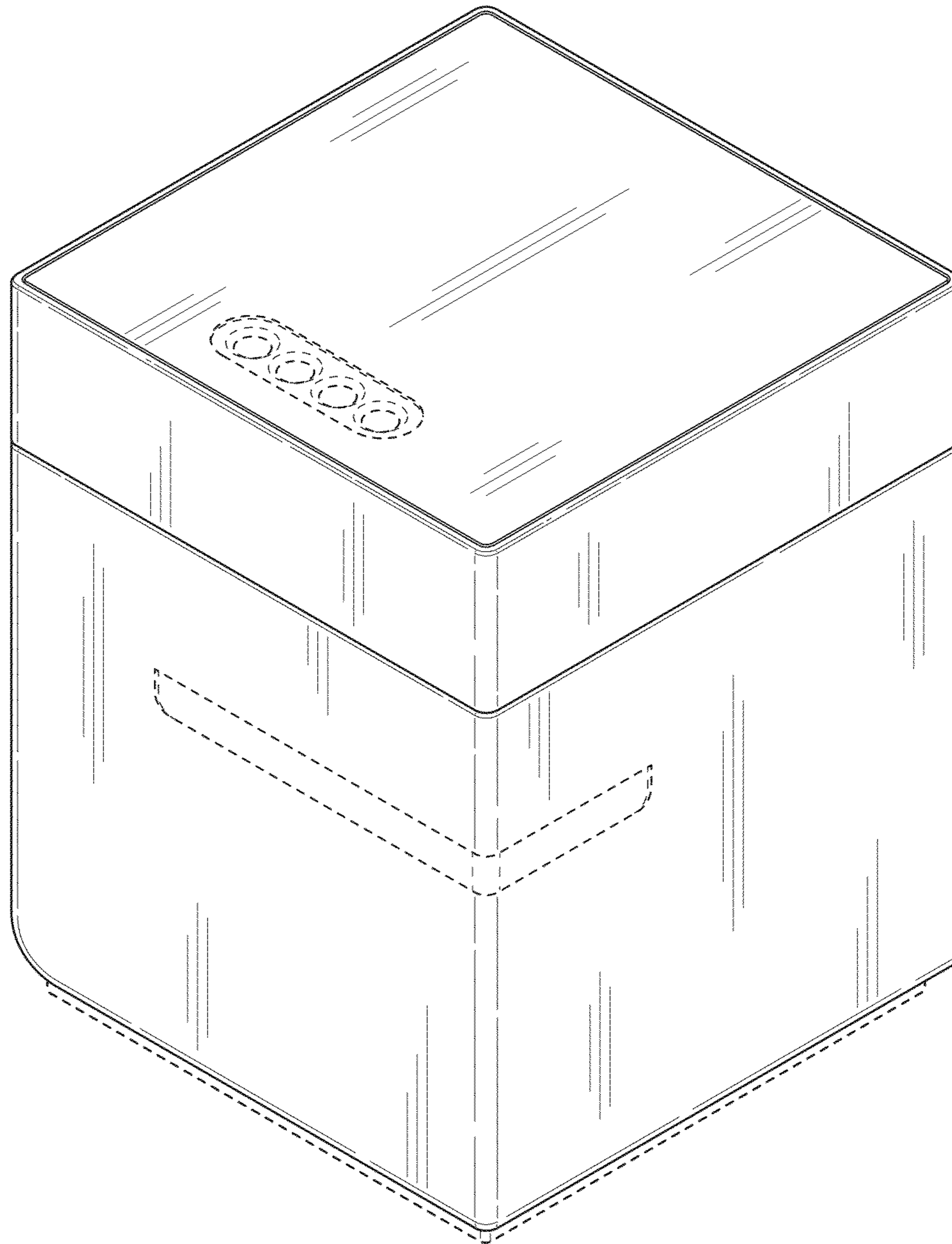


FIG. 11

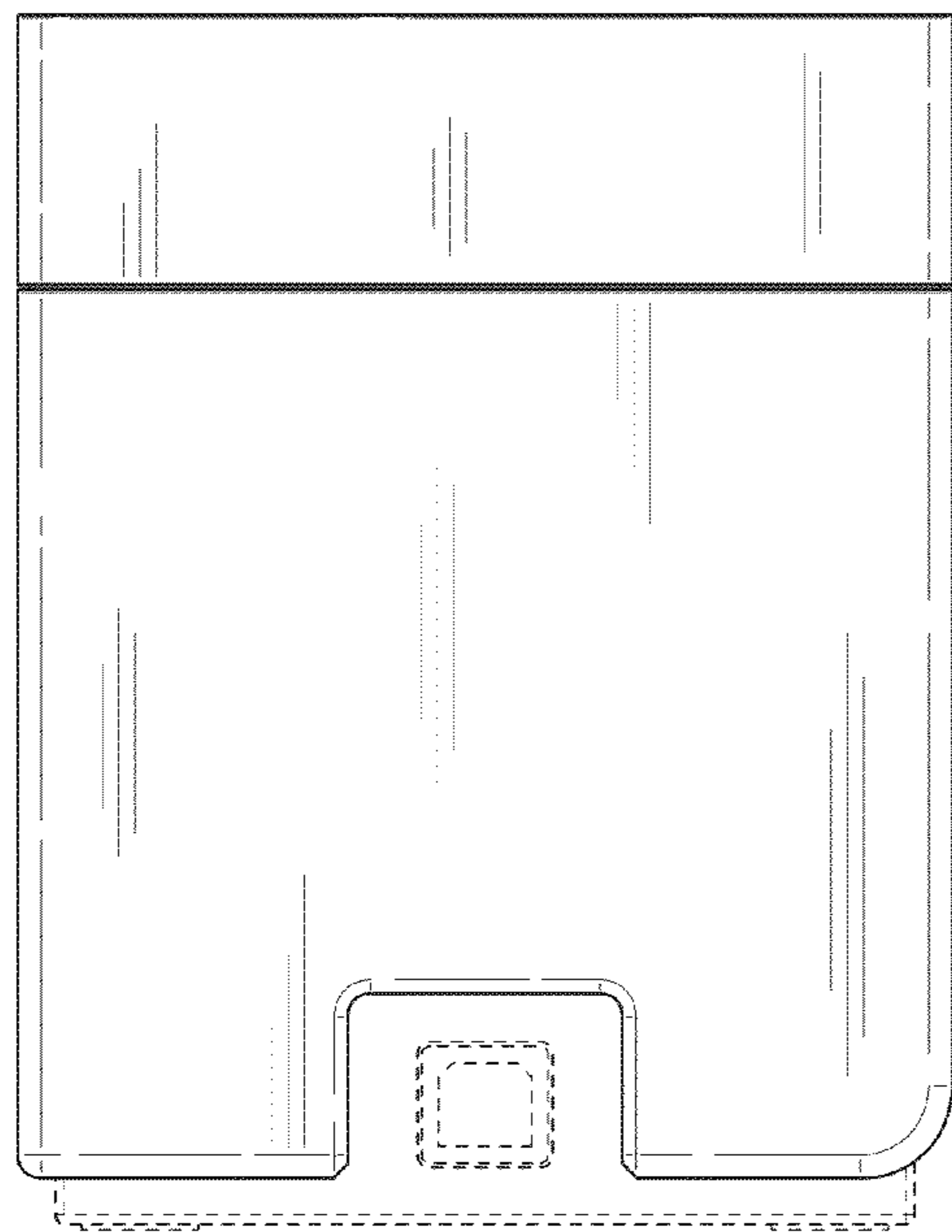


FIG. 12

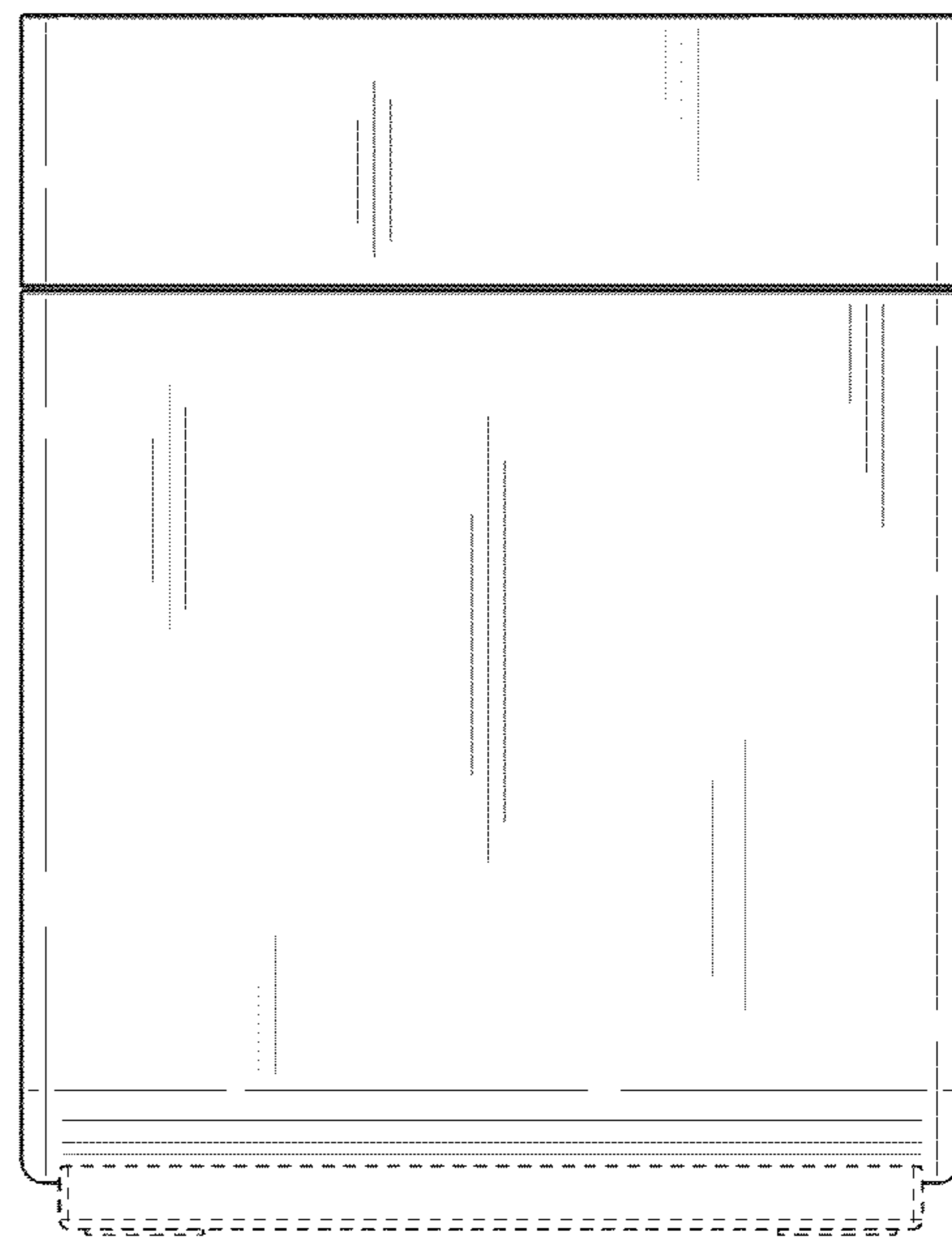


FIG. 13

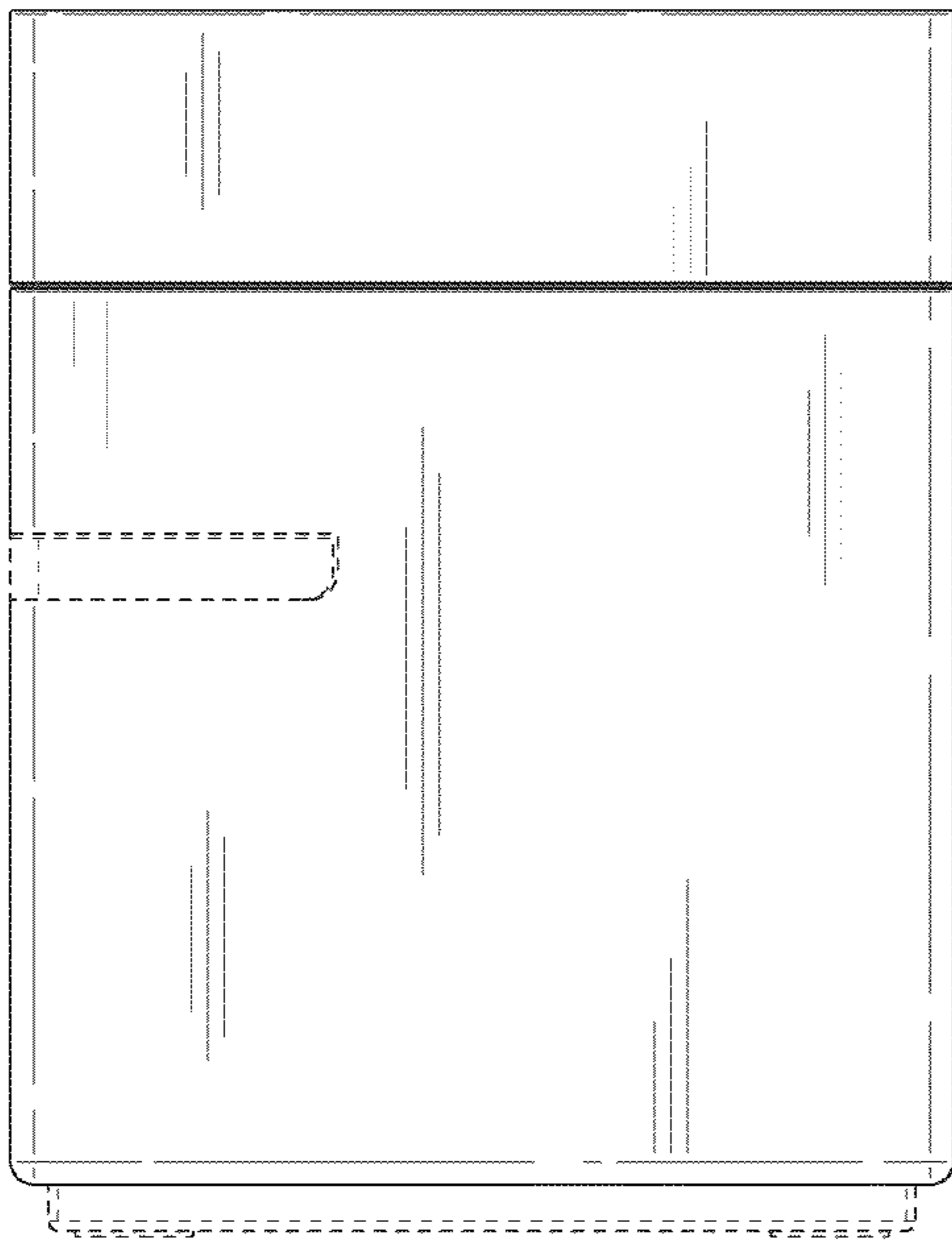


FIG. 14

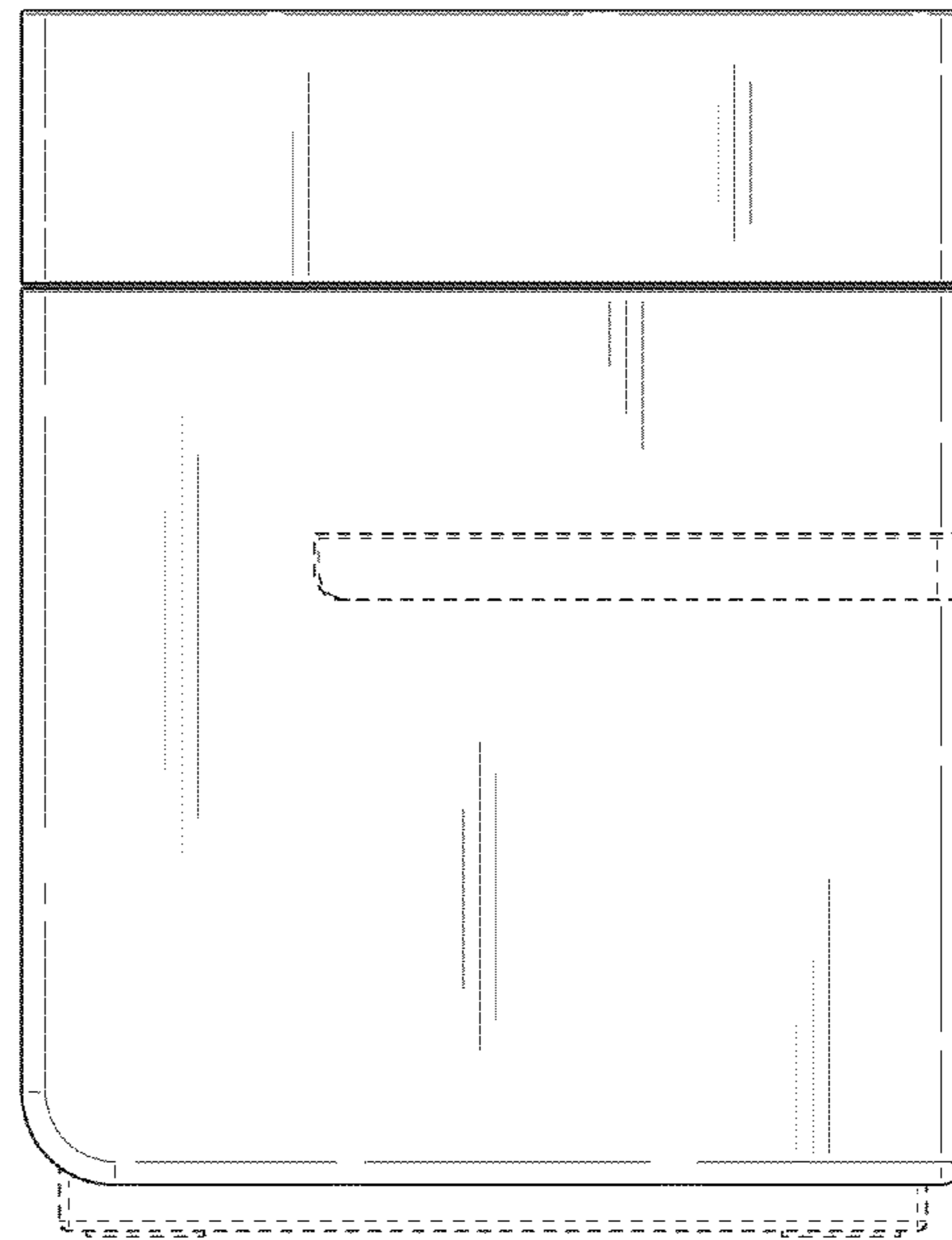


FIG. 15

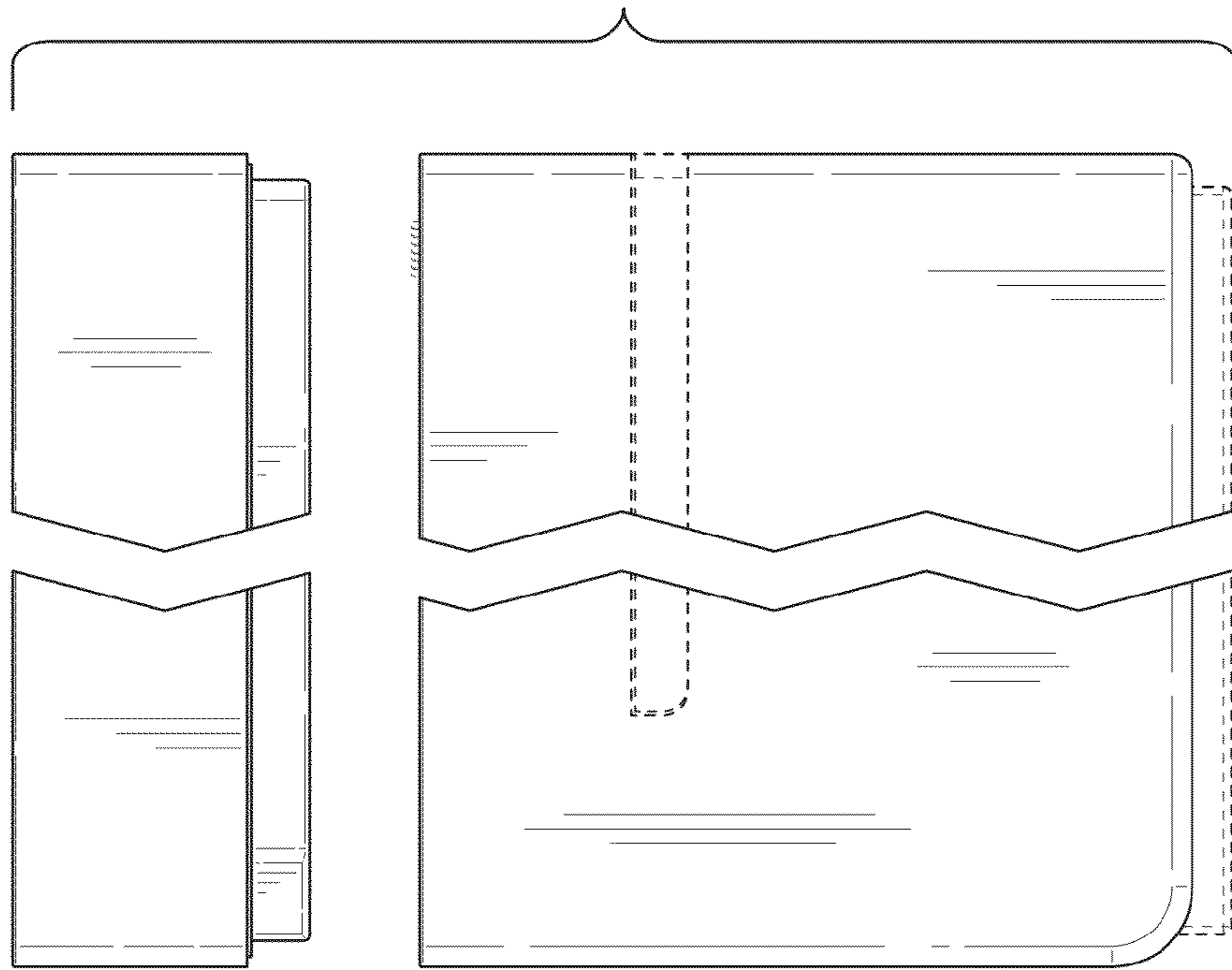


FIG. 17

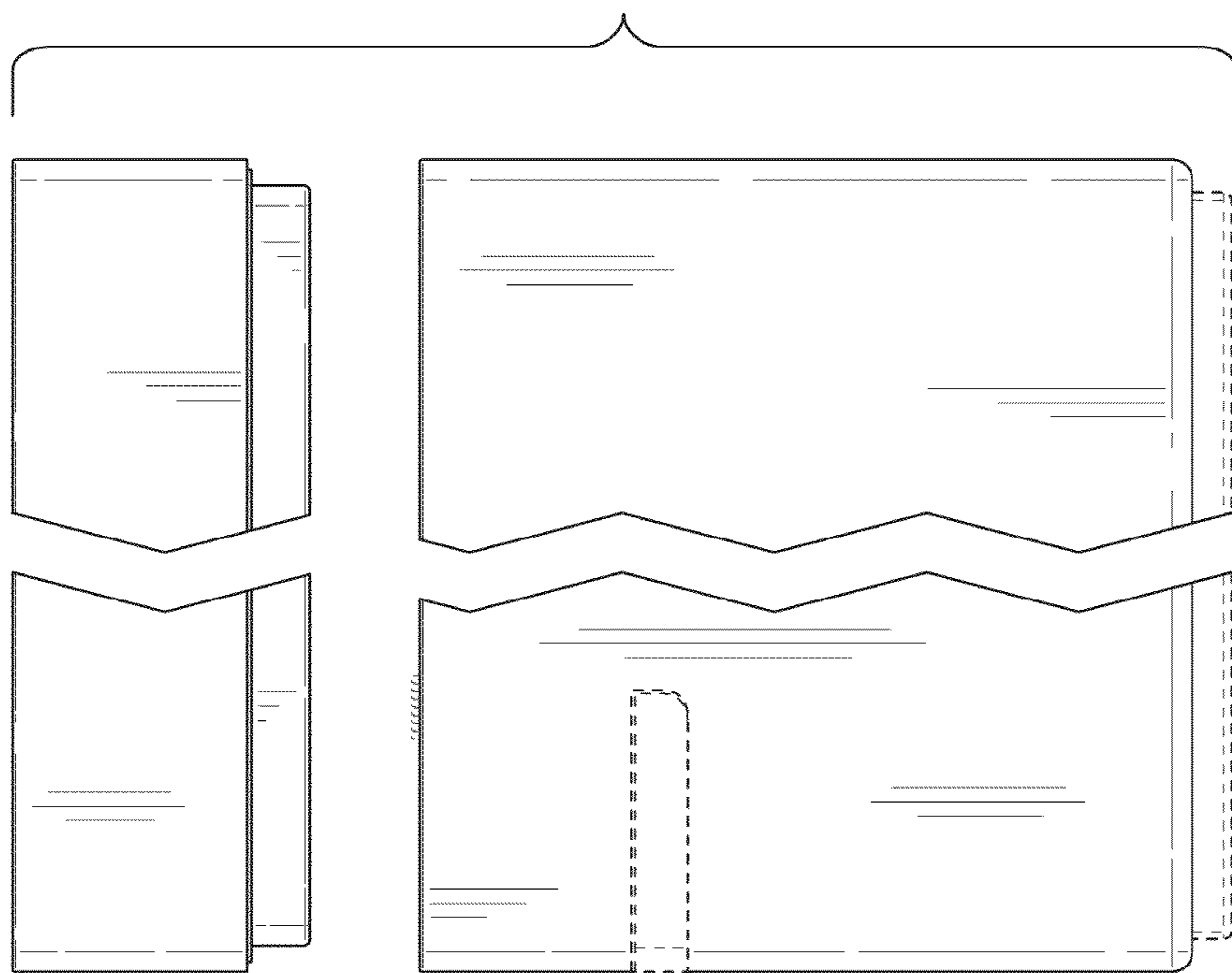


FIG. 16

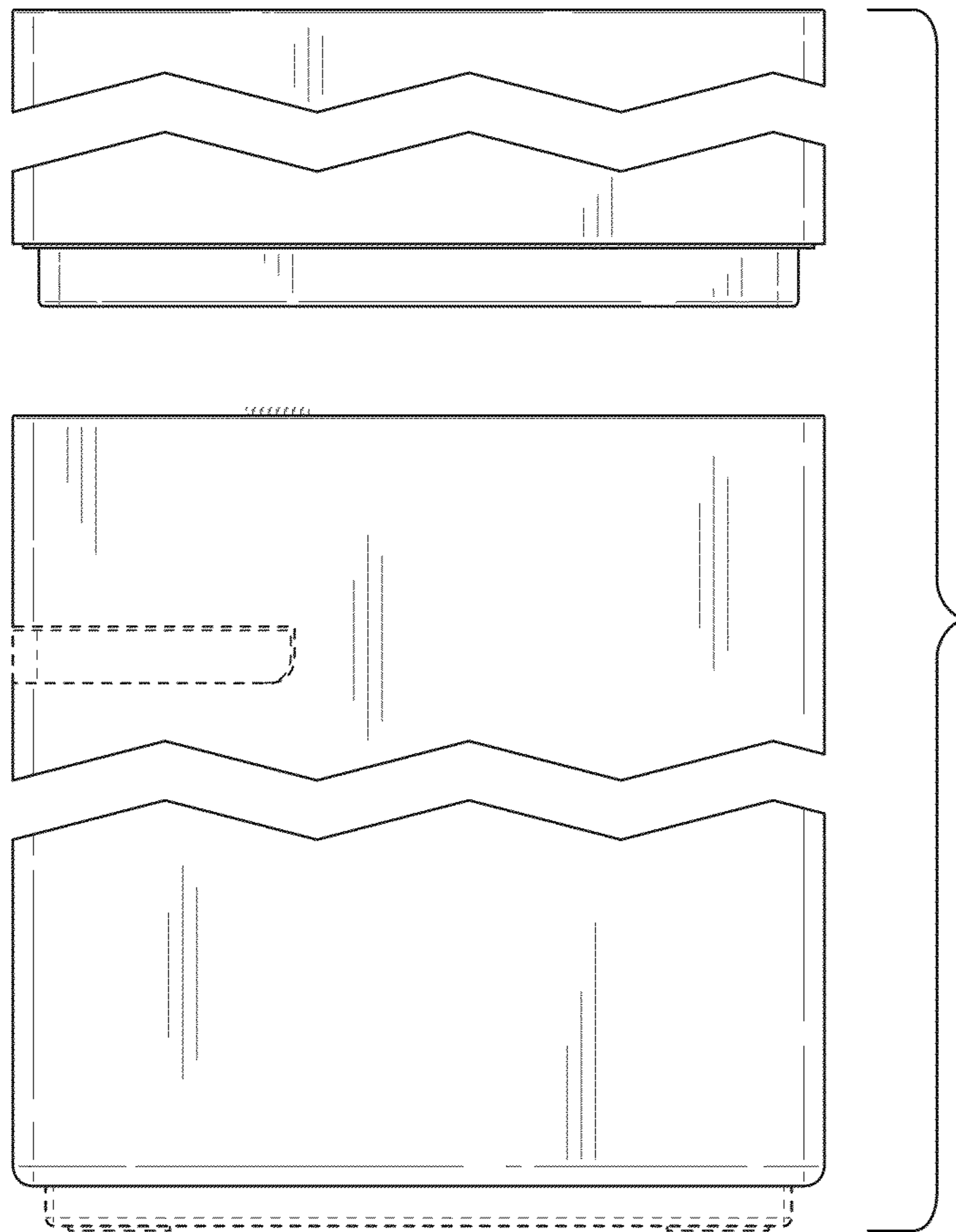


FIG. 18

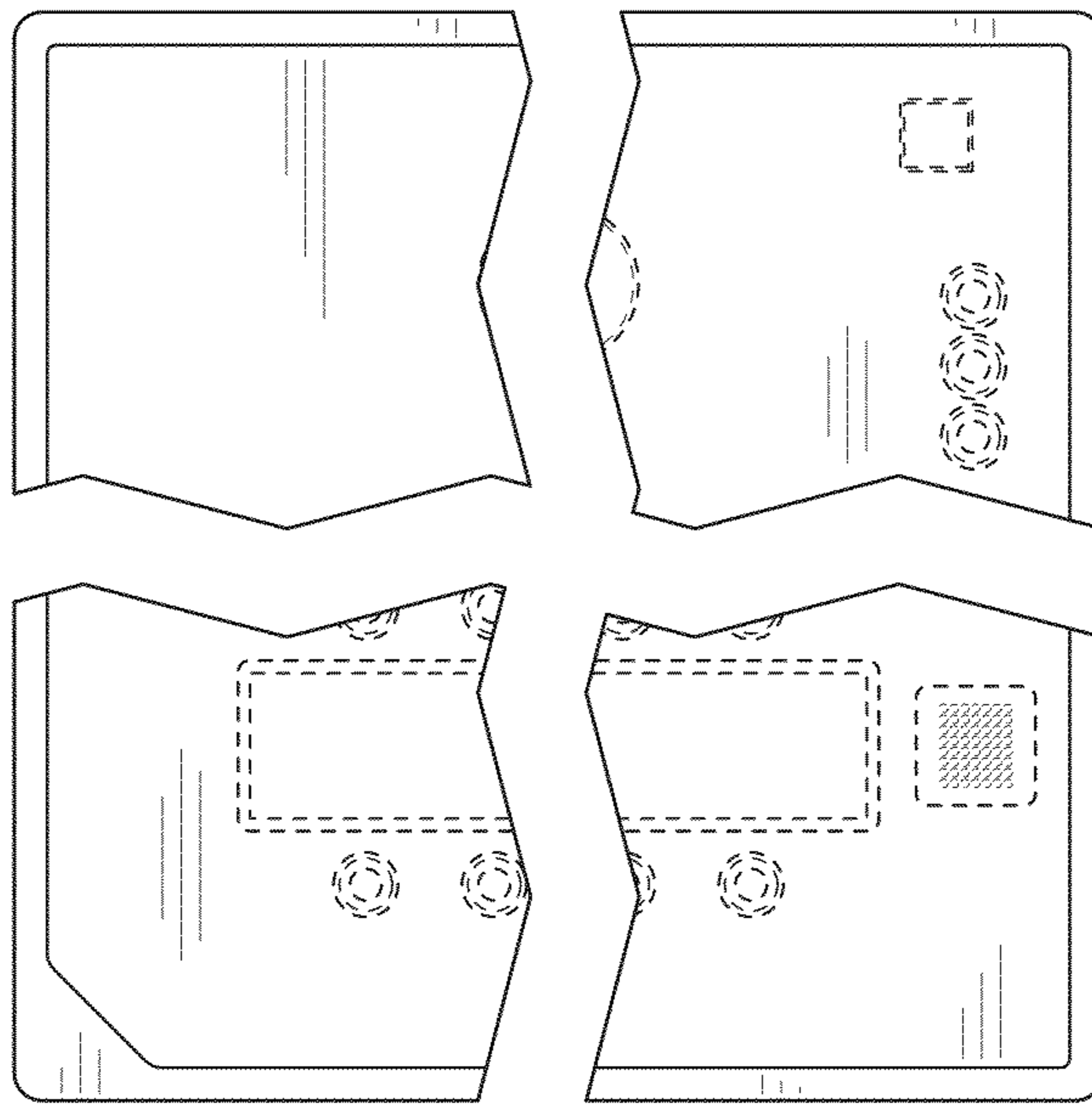


FIG. 19

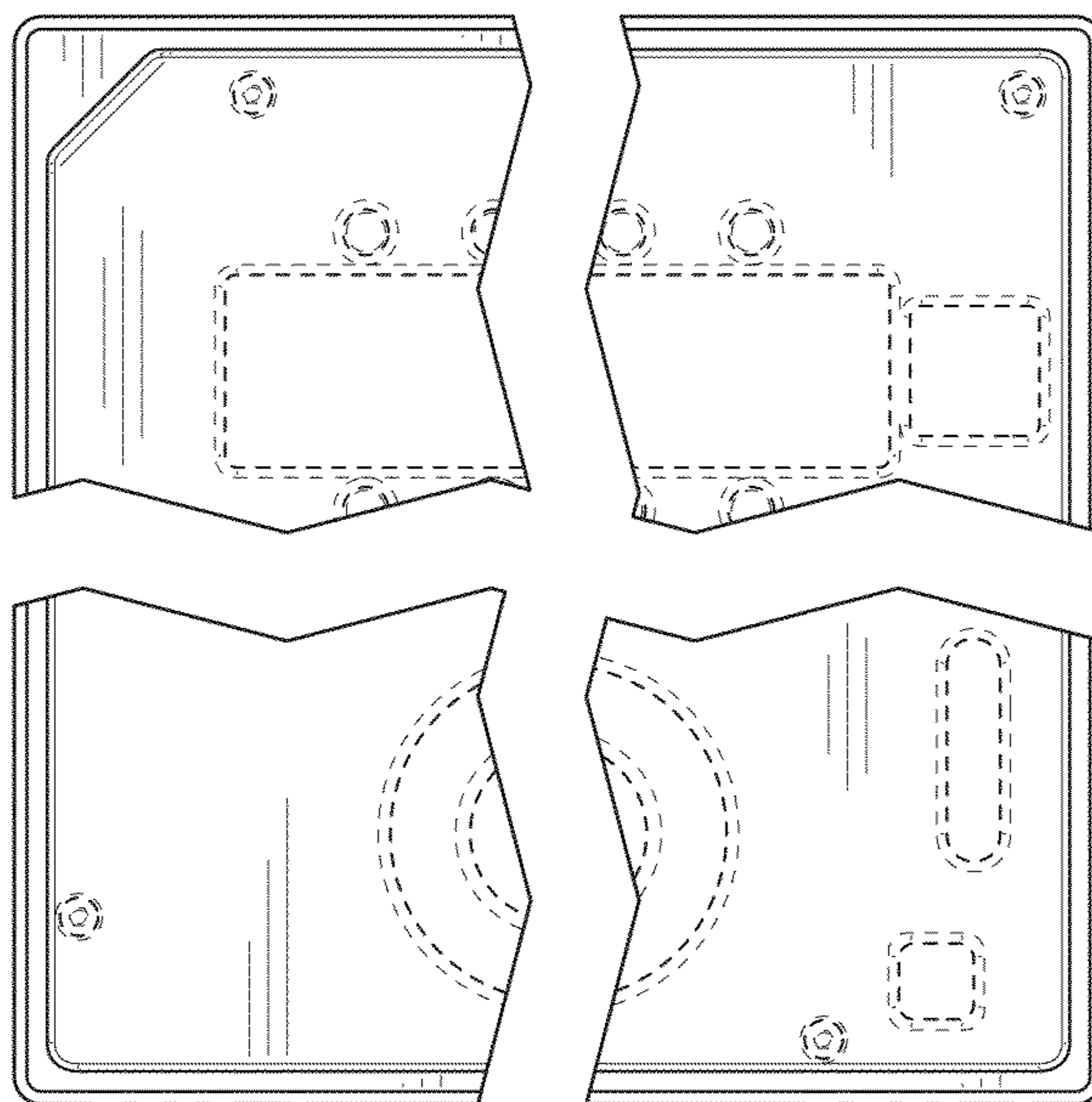


FIG. 20