



US00D737456S

(12) **United States Design Patent**
McDonough et al.

(10) **Patent No.:** **US D737,456 S**

(45) **Date of Patent:** **** Aug. 25, 2015**

(54) **ROLLING MASSAGER**

(71) Applicant: **Brookstone Purchasing, Inc.**,
Merrimack, NH (US)

(72) Inventors: **Ann McDonough**, Boston, MA (US);
Christopher M. Petersen, Milford, NH
(US)

(73) Assignee: **Brookstone Purchasing, Inc.**,
Merrimack, NH (US)

(**) Term: **14 Years**

(21) Appl. No.: **29/509,445**

(22) Filed: **Nov. 18, 2014**

(51) **LOC (10) Cl.** **28-03**

(52) **U.S. Cl.**
USPC **D24/211**

(58) **Field of Classification Search**
USPC D24/200, 211, 212, 213, 214, 215;
601/110–114, 120, 121, 124, 125, 129,
601/131, 134, 135, 136, 137
CPC A61H 19/30; A61H 19/32; A61H 19/34;
A61H 19/40; A61H 19/44; A61H 19/50;
A61H 19/00; A61H 2201/1253; A61H
2205/082; A61H 2205/085; A61H 2205/087;
A61H 15/0085

See application file for complete search history.

(56) **References Cited**

U.S. PATENT DOCUMENTS

3,067,738 A * 12/1962 Karlik 601/120
D253,373 S 11/1979 Celeste

D361,132 S * 8/1995 Lee D24/200
D417,319 S * 11/1999 Weiss, Jr. D30/160
6,398,694 B1 * 6/2002 Bountourakis 482/44
D637,244 S * 5/2011 Davis et al. D21/662
D647,980 S * 11/2011 Davis et al. D21/662
D693,934 S * 11/2013 Lin D24/215
D711,547 S * 8/2014 Hardy et al. D24/213
D713,050 S * 9/2014 Kao D24/211
2007/0129654 A1 * 6/2007 Anderson, Jr. 601/119
2009/0112137 A1 * 4/2009 Lamore 601/112

* cited by examiner

Primary Examiner — Sandra Snapp

(74) *Attorney, Agent, or Firm* — Grossman Tucker Perreault
& Pflieger, PLLC

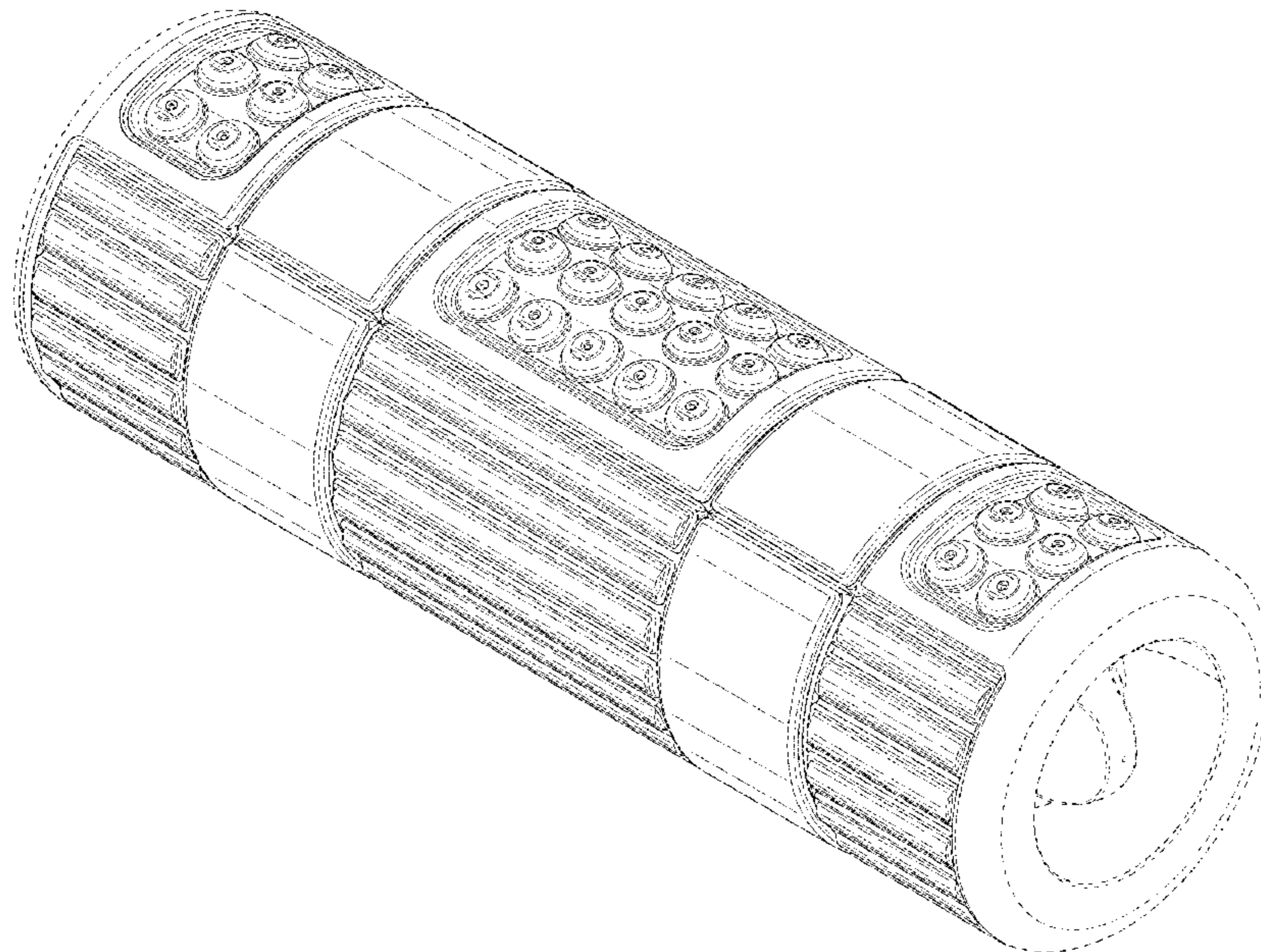
(57) **CLAIM**

The ornamental design of a rolling massager, substantially as
shown and described.

DESCRIPTION

FIG. 1 is a perspective view of a rolling massager in accor-
dance with the present invention;
FIG. 2 is front side view thereof;
FIG. 3 is a back side view thereof;
FIG. 4 is a left end view thereof;
FIG. 5 is a right end view thereof;
FIG. 6 is a top view thereof;
FIG. 7 is a bottom view thereof; and,
FIG. 8 is a perspective view of a second embodiment of the
rolling massager of the present invention.
The broken lines are included for the purpose of illustrating
the unclaimed portions of the article and form no part of the
claim.

1 Claim, 8 Drawing Sheets



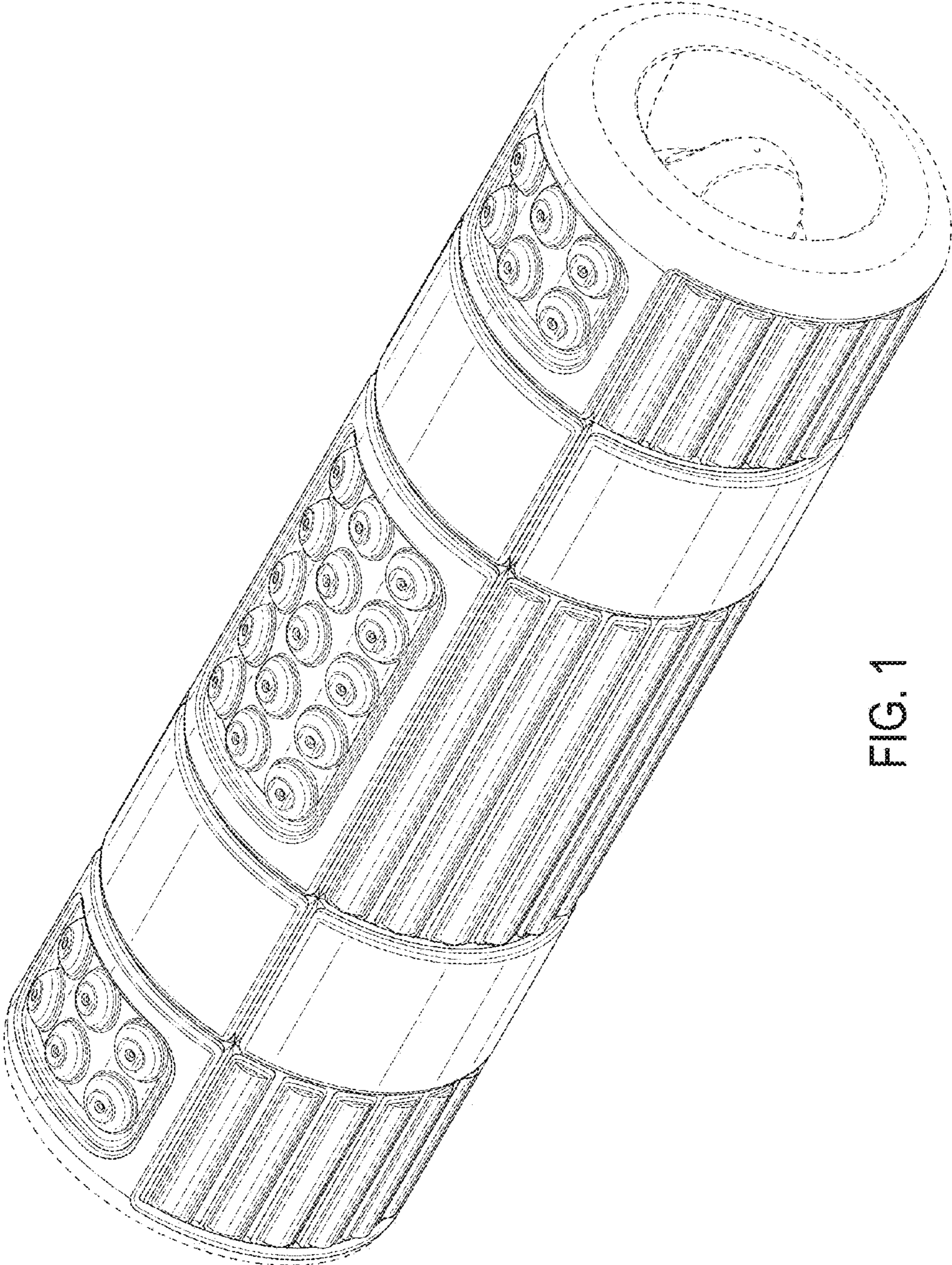


FIG. 1

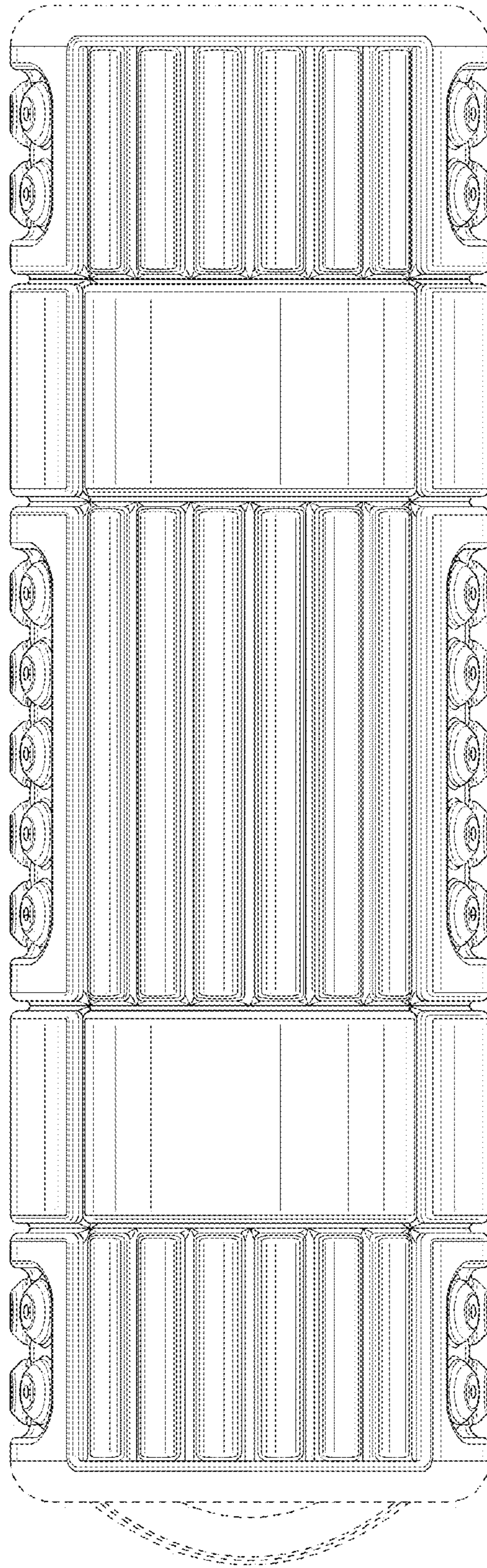


FIG. 2

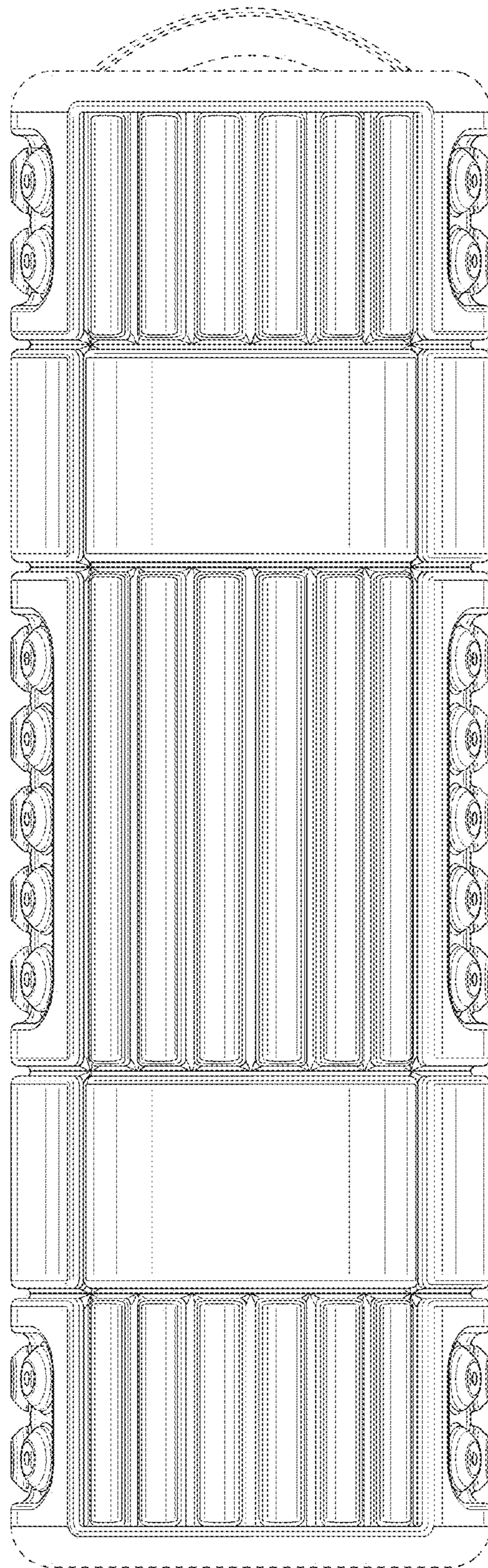


FIG. 3

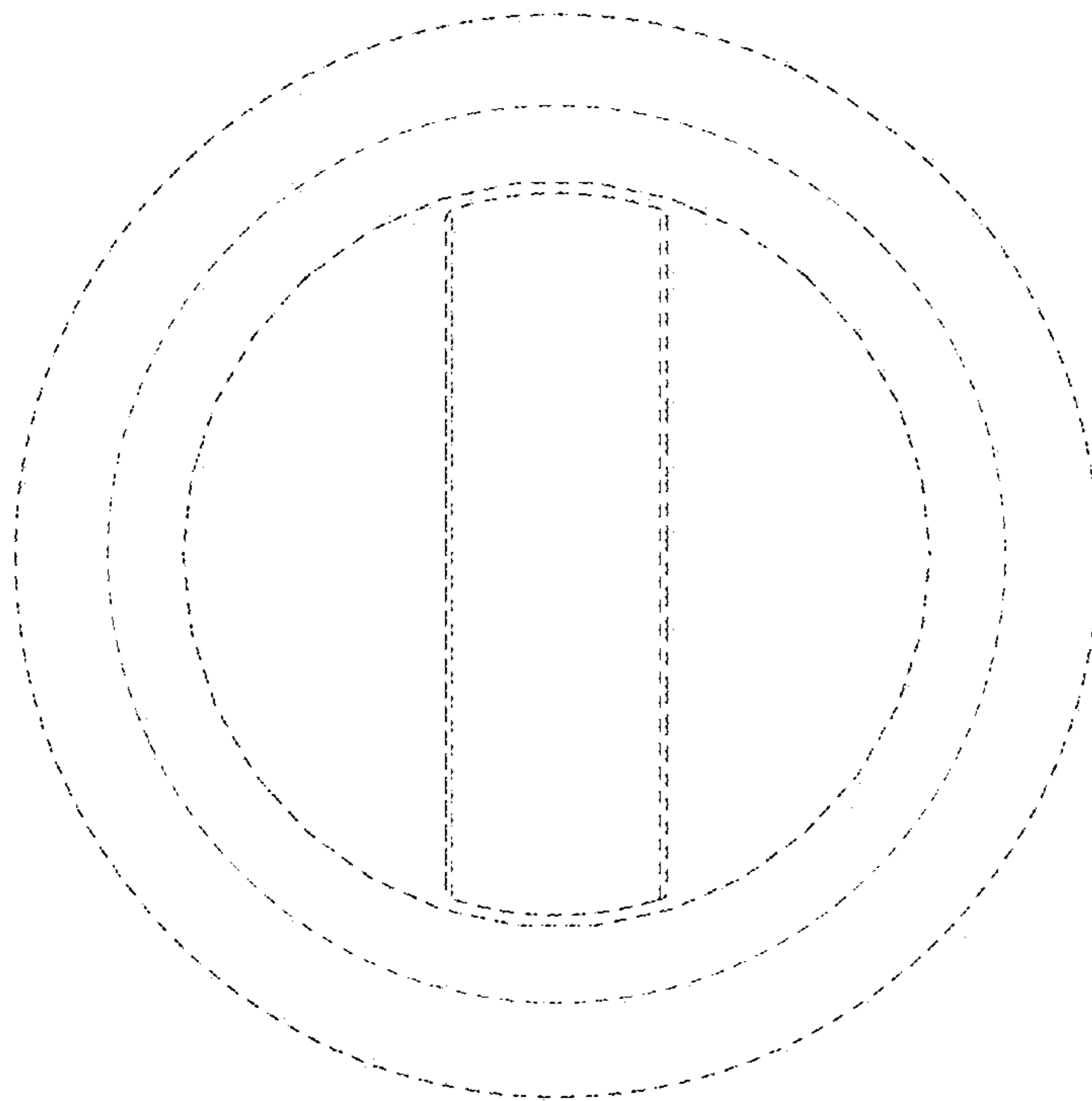


FIG. 4

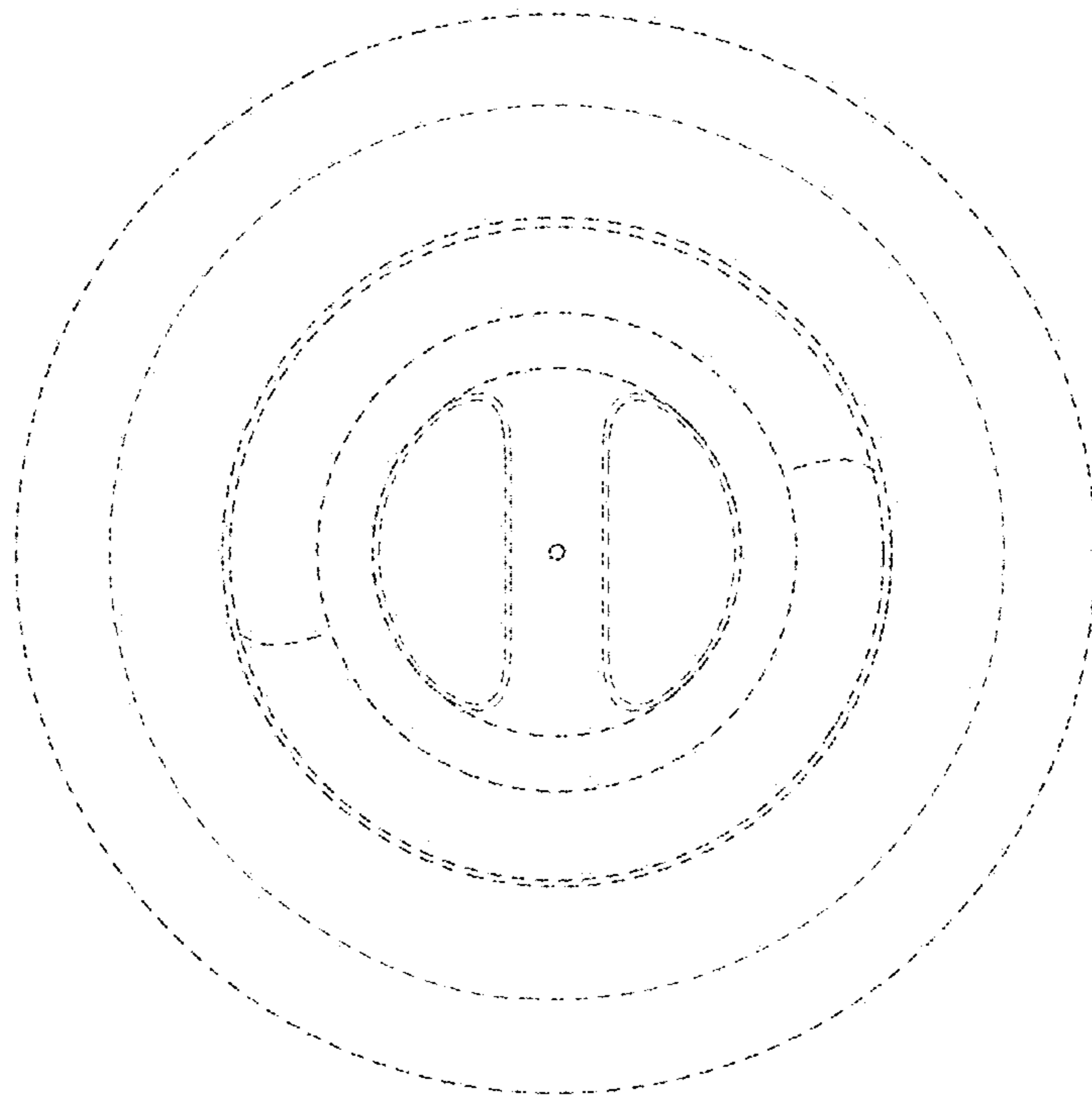


FIG. 5

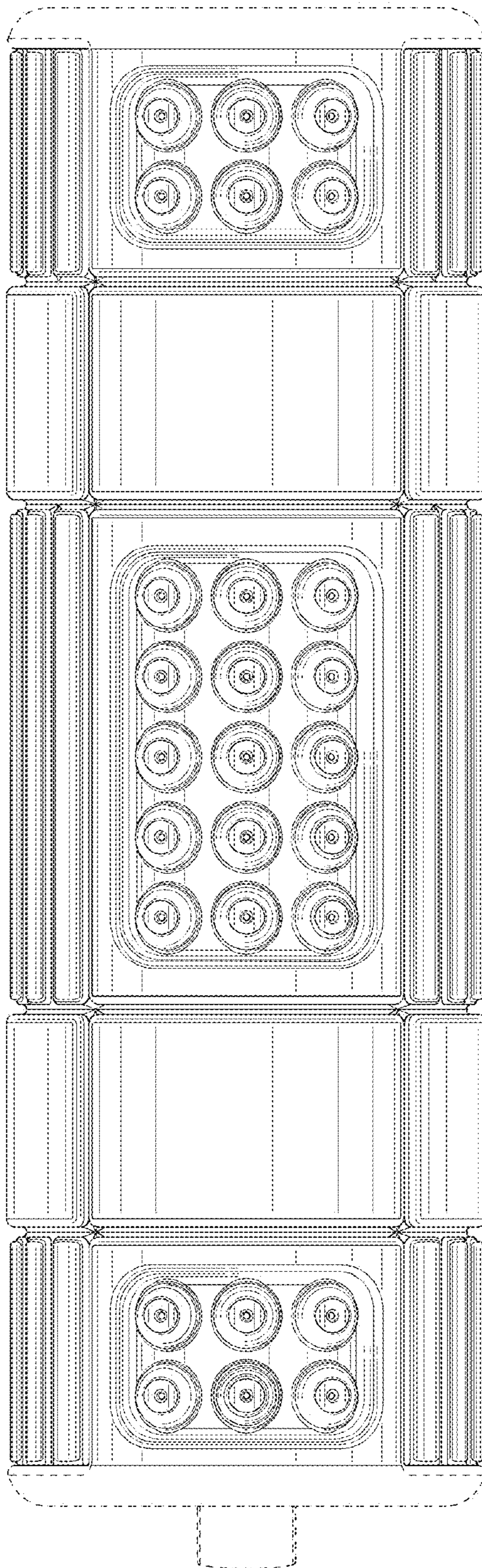


FIG. 6

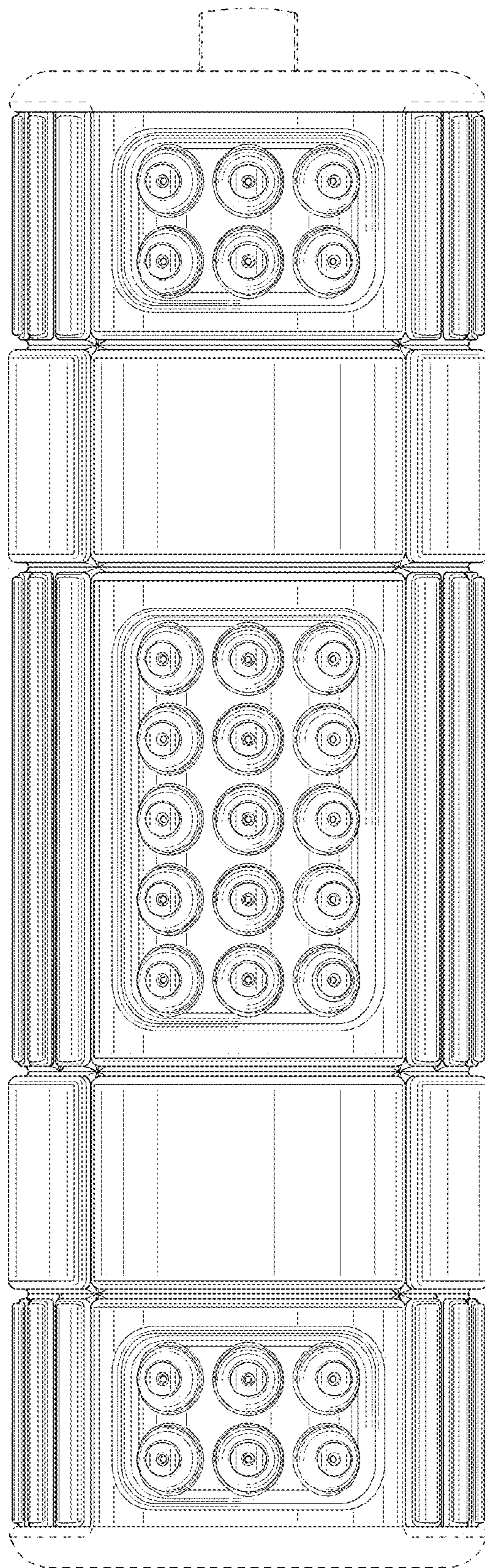


FIG. 7

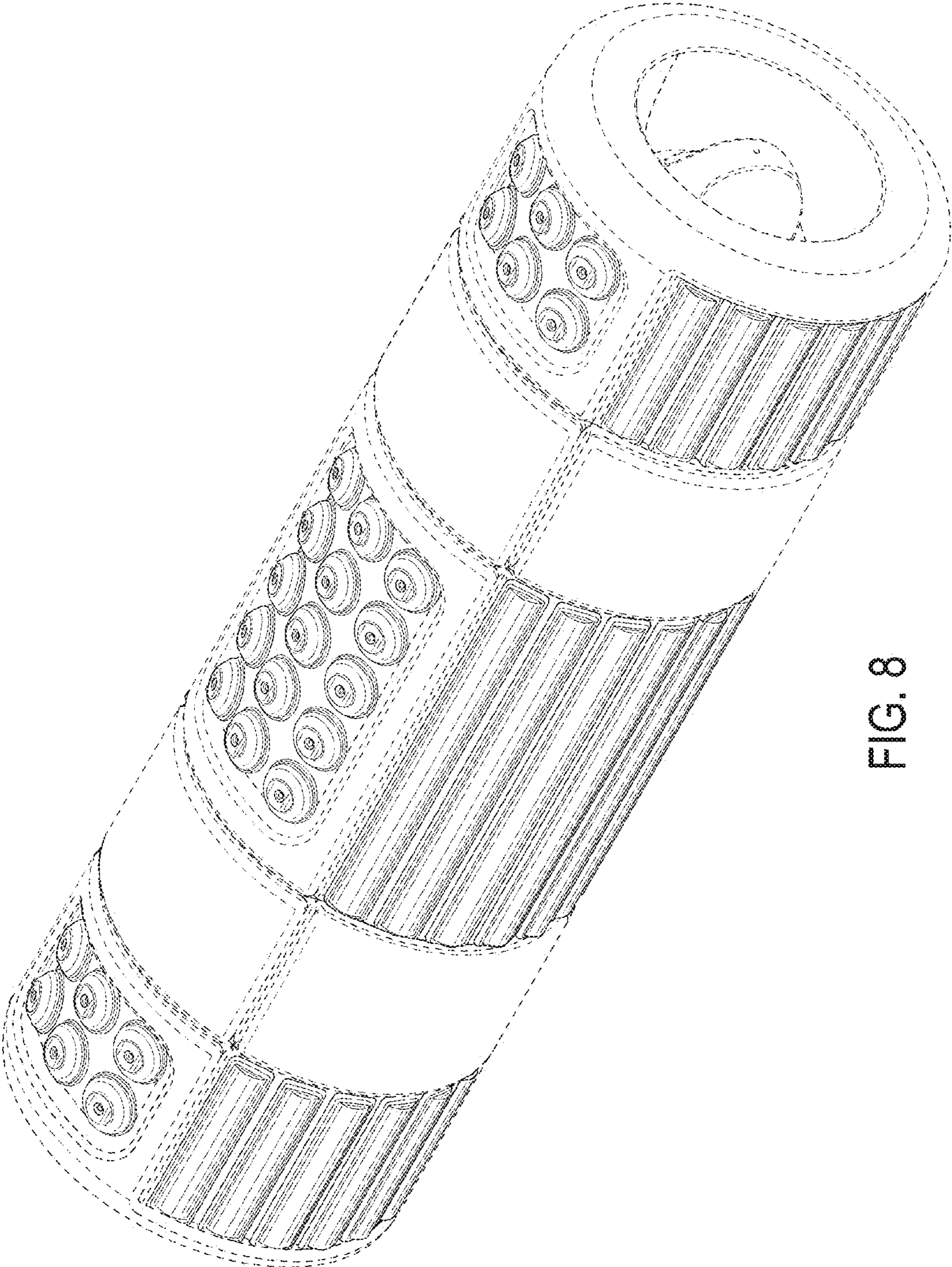


FIG. 8