

US00D737455S

(12) **United States Design Patent**
D'Alesio

(10) **Patent No.:** **US D737,455 S**

(45) **Date of Patent:** **** Aug. 25, 2015**

- (54) **PACIFIER**
- (71) Applicant: **Alene D'Alesio**, Moon Township, PA (US)
- (72) Inventor: **Alene D'Alesio**, Moon Township, PA (US)

5,366,481 A 11/1994 Zade
 5,391,184 A 2/1995 Rosenthal
 5,571,140 A 11/1996 Gura-Emerling
 5,578,058 A 11/1996 Chen
 D393,074 S 3/1998 Fields et al.
 6,041,950 A 3/2000 Soehnlein

(Continued)

- (**) Term: **14 Years**
- (21) Appl. No.: **29/464,117**
- (22) Filed: **Aug. 13, 2013**

FOREIGN PATENT DOCUMENTS

EP 2361600 8/2011
 WO 9409689 5/1994
 WO 9614045 5/1996

OTHER PUBLICATIONS

Trager, E.; "Bye-Bye-Binky!"; publication from CezDay Publications; Copyright 2009; 5 pages.

(Continued)

Related U.S. Application Data

- (62) Division of application No. 29/425,043, filed on Jun. 19, 2012, now Pat. No. Des. 690,823.
- (51) **LOC (10) Cl.** **24-04**
- (52) **U.S. Cl.**
USPC **D24/194**
- (58) **Field of Classification Search**
USPC 606/234, 235, 236; D24/193, 194, 195, D24/196, 117, 199, 214; D21/659, 625, D21/627; D30/160; D1/106, 125, 199; 119/707, 709
CPC A61J 17/00
See application file for complete search history.

Primary Examiner — Robert M Spear
Assistant Examiner — Kendra L Hamilton
 (74) *Attorney, Agent, or Firm* — Fitch, Even, Tabin & Flannery LLP

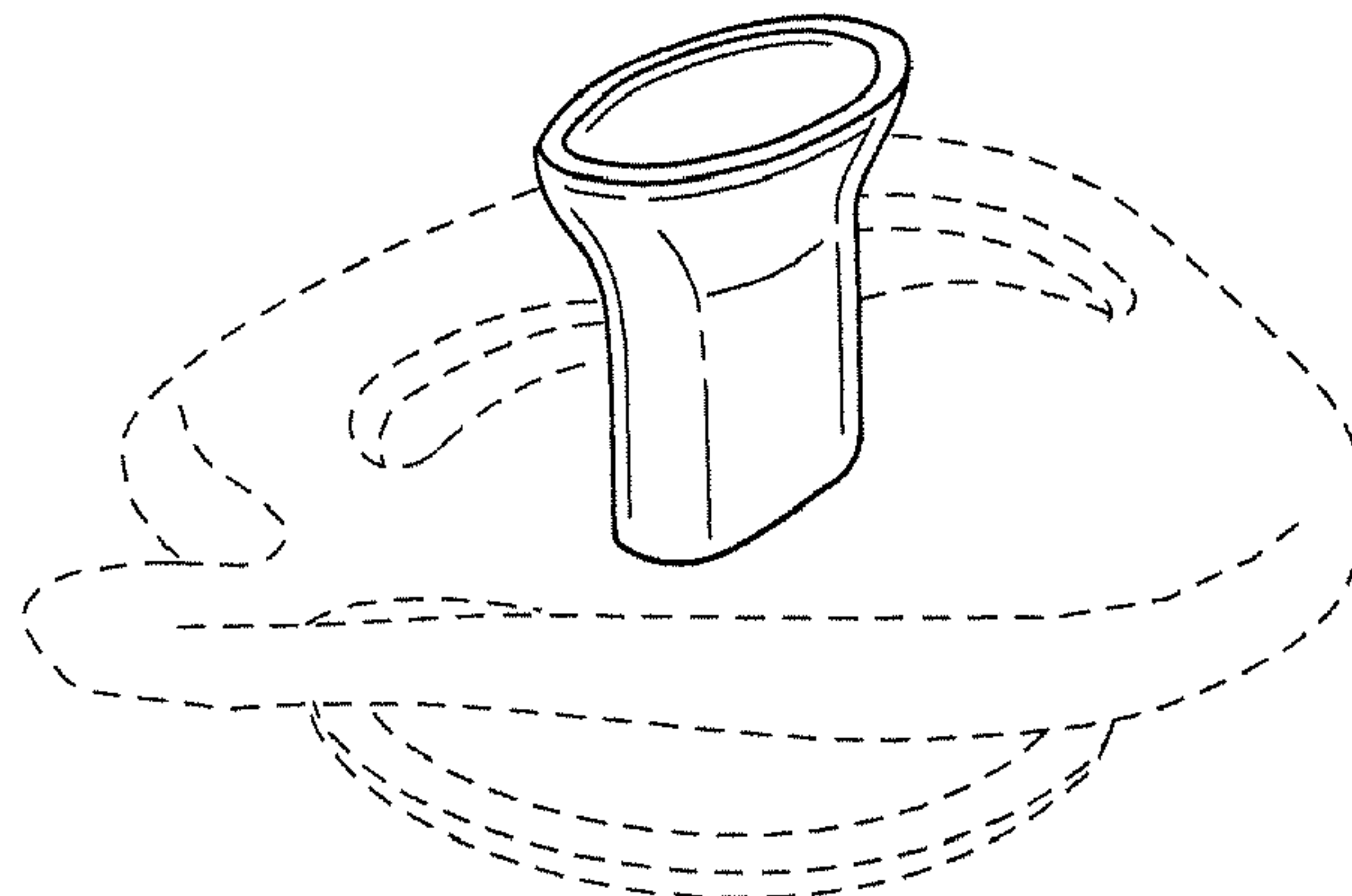
(57) **CLAIM**
 I claim the ornamental design for a pacifier, as shown and described.

DESCRIPTION

FIG. 1 is a perspective view of a pacifier showing my new design;
 FIG. 2 is a top plan view of the pacifier of FIG. 1;
 FIG. 3 is a right side elevational view of the pacifier of FIG. 1, the left side elevational view being a mirror image of FIG. 3;
 FIG. 4 is a rear elevational view of the pacifier of FIG. 1; and,
 FIG. 5 is a front elevational view of the pacifier of FIG. 1.
 The broken lines illustrate environmental structure and form no part of the claimed design.

1 Claim, 1 Drawing Sheet

- (56) **References Cited**
U.S. PATENT DOCUMENTS
- | | | |
|-------------|---------|------------------|
| 3,129,709 A | 4/1964 | Rountree |
| D245,335 S | 8/1977 | Meeker et al. |
| 4,078,570 A | 3/1978 | Frodreich et al. |
| 4,381,785 A | 5/1983 | Robbins |
| D294,297 S | 2/1988 | Roehrig |
| 4,878,496 A | 11/1989 | Chen |
| D312,312 S | 11/1990 | Herritz |
| 5,004,473 A | 4/1991 | Kalantar |
| 5,211,656 A | 5/1993 | Maddocks et al. |
| 5,342,398 A | 8/1994 | Sun |



(56)

References Cited

U.S. PATENT DOCUMENTS

D443,932 S 6/2001 Wickerman
 6,241,110 B1 6/2001 Hakim
 6,461,374 B2 10/2002 Huang
 6,470,200 B2 10/2002 Walker et al.
 6,517,567 B2 2/2003 Bass, Jr. et al.
 7,029,491 B2 4/2006 Davis
 D554,760 S 11/2007 Brockhaus et al.
 D567,383 S 4/2008 Rohrig
 D571,017 S 6/2008 Rohrig
 D582,046 S 12/2008 Rohrig
 D616,557 S 5/2010 Roehrig
 8,118,773 B2 2/2012 Stewart
 8,241,327 B1 8/2012 Moore
 8,298,263 B2* 10/2012 Parker et al. 606/236
 D671,652 S 11/2012 Middleton
 D671,793 S * 12/2012 Hakim D7/392.1
 D686,331 S * 7/2013 Dussere D24/194
 D699,068 S * 2/2014 Dunn et al. D7/392.1

D708,901 S * 7/2014 Dunn et al. D7/392.1
 2002/0158075 A1* 10/2002 Caldicott et al. 220/714
 2003/0181947 A1 9/2003 Struckmeier et al.
 2004/0088006 A1 5/2004 Bass, Jr. et al.
 2006/0069409 A1 3/2006 Morris
 2008/0237247 A1* 10/2008 Mucci et al. 220/713
 2009/0030455 A1 1/2009 Dallman
 2009/0191783 A1 7/2009 Spitzer et al.
 2010/0069959 A1 3/2010 Parker et al.
 2011/0125190 A1* 5/2011 Rohrig 606/236
 2011/0130790 A1* 6/2011 Hezari et al. 606/234
 2011/0257683 A1* 10/2011 Dabney 606/234
 2011/0307008 A1* 12/2011 Erenfeld 606/236

OTHER PUBLICATIONS

“Bye-Bye-Binky!”; <http://www.bye-bye-binky.com>; web pages printed Mar. 23, 2010; 3 pages.
 Spitzer, M.; <http://pacifierbgone.com/>; web pages printed Mar. 23, 2010; 5 pages.

* cited by examiner

FIG. 1

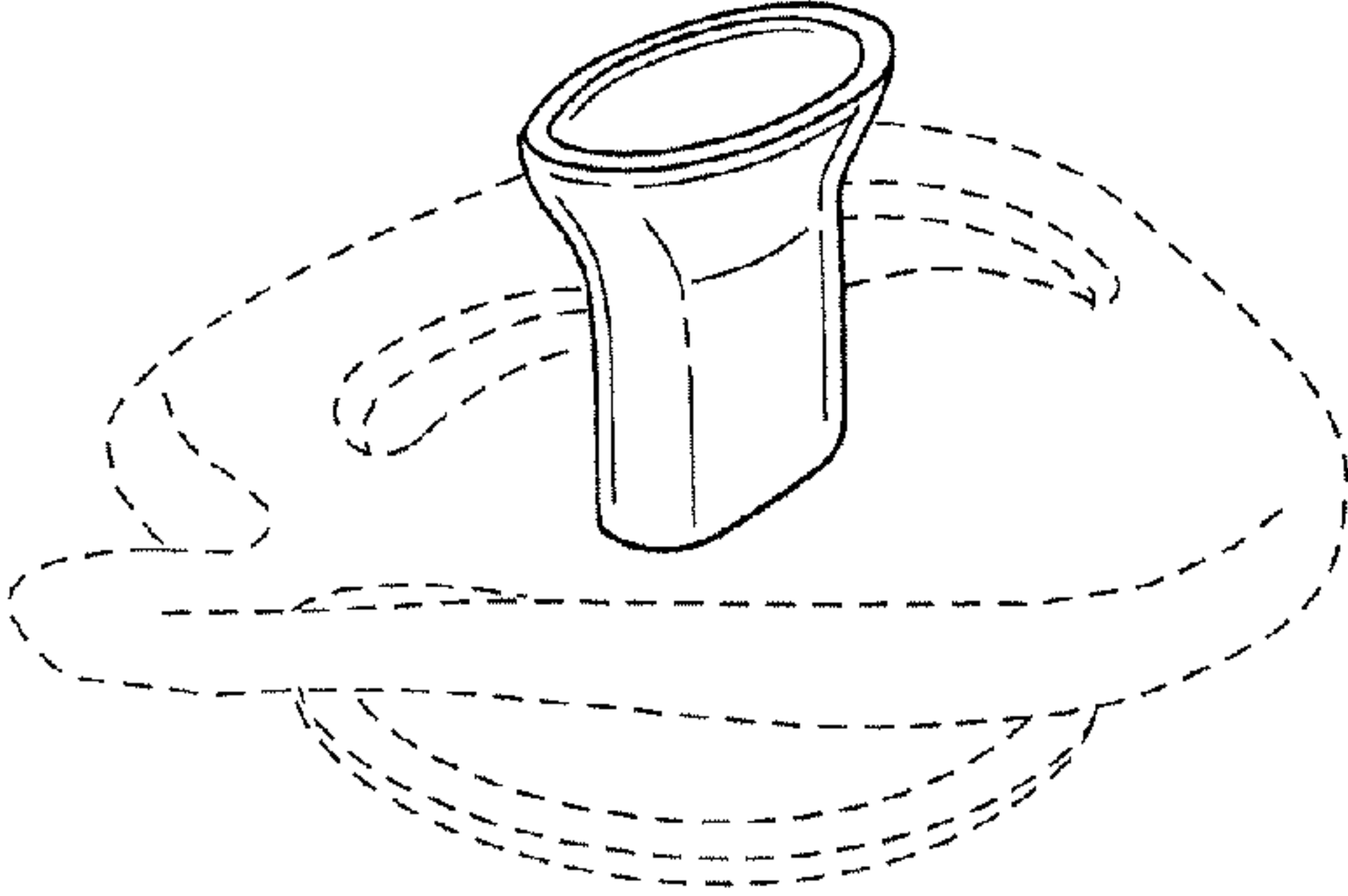


FIG. 2

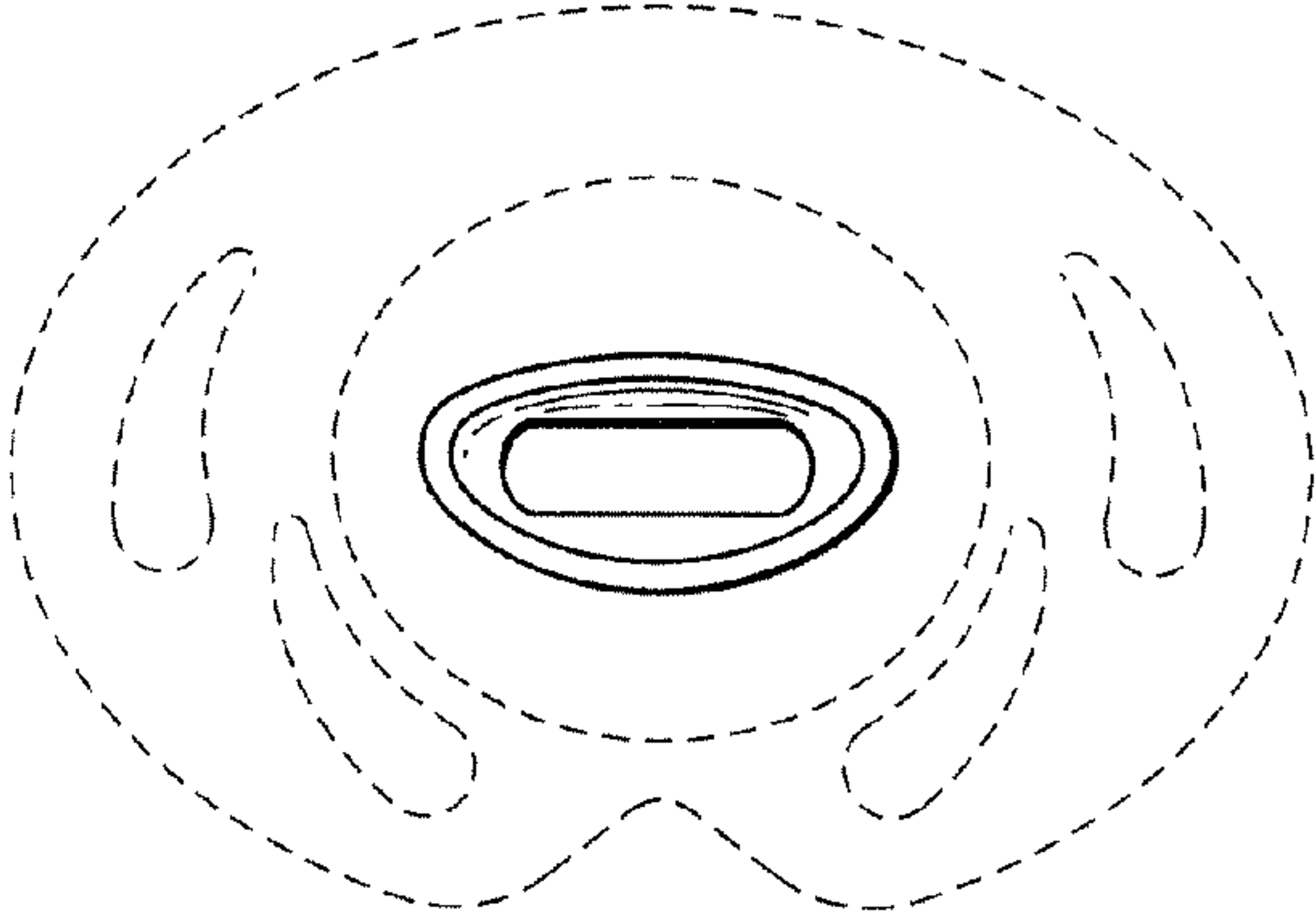


FIG. 3

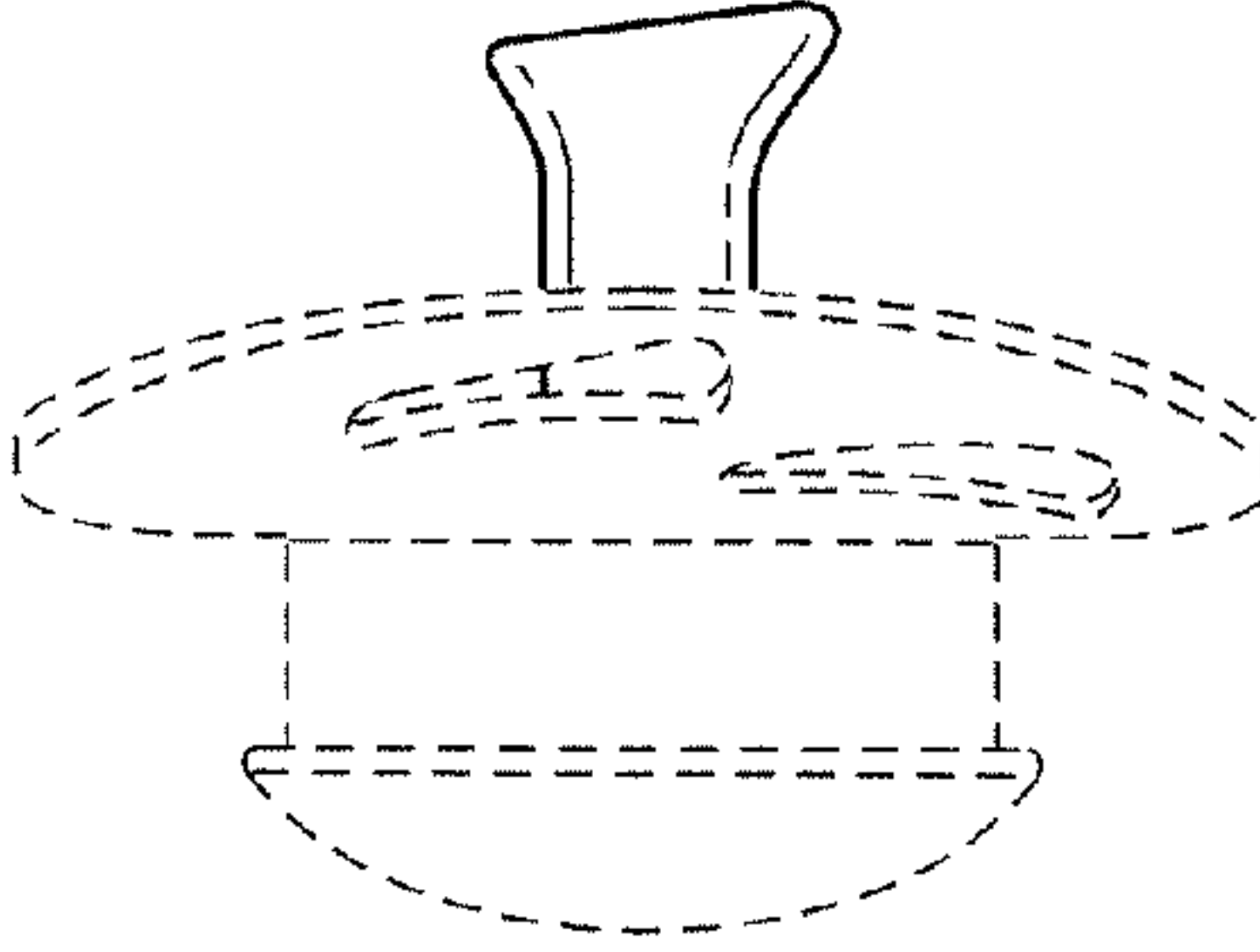


FIG. 4

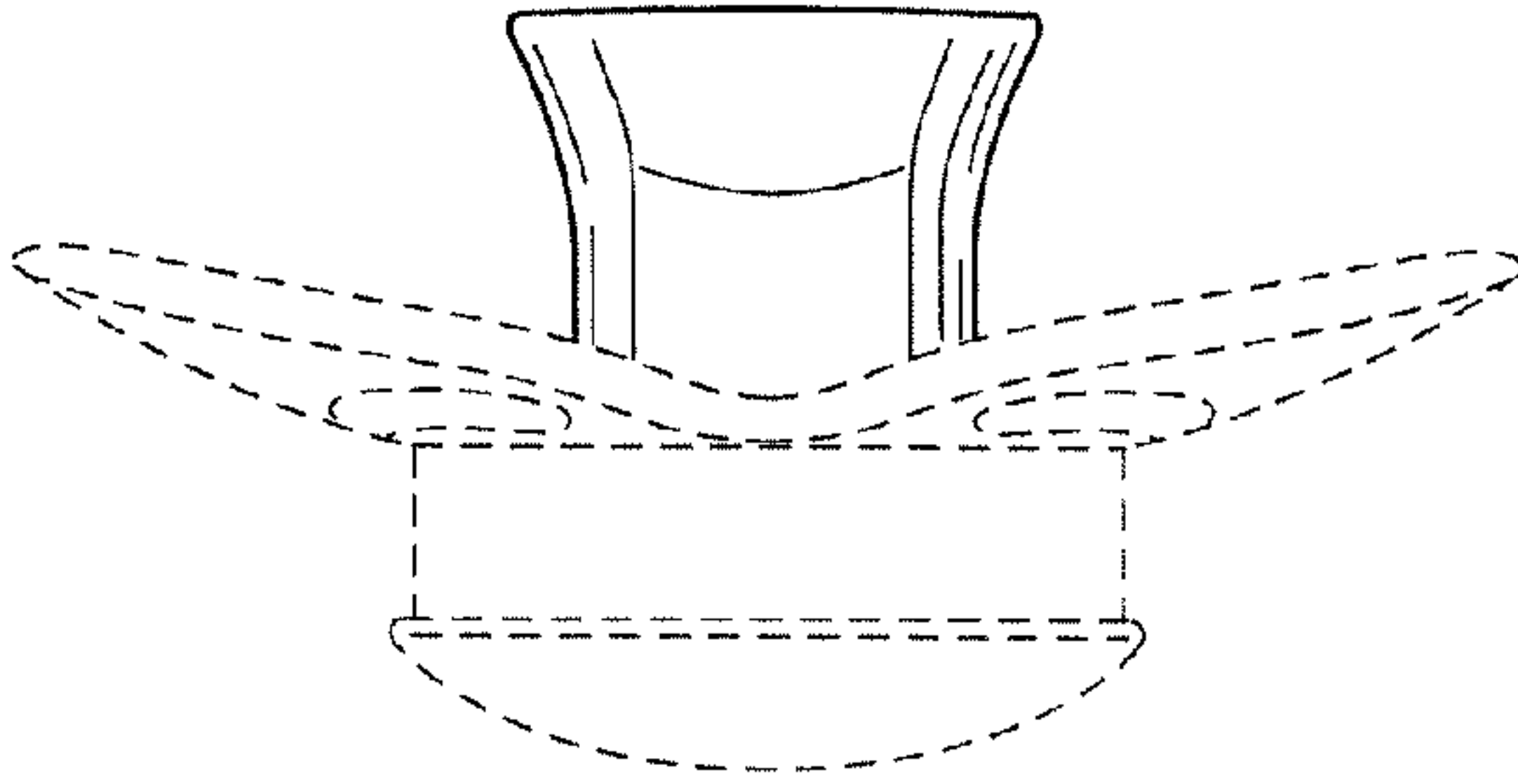


FIG. 5

